



US00D973361S

(12) **United States Design Patent** (10) **Patent No.:** **US D973,361 S**
Li (45) **Date of Patent:** **** Dec. 27, 2022**

(54) **DISPENSE TYPE PILL ORGANIZER**

FOREIGN PATENT DOCUMENTS

(71) Applicant: **Zhongmaitong Electronic Technology (Chengdu) Co., Ltd.**, Sichuan (CN)

HK 0500698-0001 * 6/2005

(72) Inventor: **Jie Li**, Guangdong (CN)

OTHER PUBLICATIONS

(**) Term: **15 Years**

Amazon.com, Site visited Aug. 5, 2022, SereneLife Locking Storage Container, First available Mar. 16, 2017, <https://www.amazon.com/SereneLife-Locking-Storage-Container-Bin/dp/B06XPSC3P9> (Year: 2017).*

(21) Appl. No.: **29/834,305**

Time.com, Site visited Aug. 3, 2022, "The Best Inventions of 2020," published on Nov. 19, 2020 features the Keep Prescription Medicine Safe, <https://time.com/collection/best-inventions-2020/5911340/keep/> (Year: 2020).*

(22) Filed: **Apr. 11, 2022**

(51) **LOC (13) Cl.** **03-01**

(52) **U.S. Cl.**

USPC **D3/294**; D3/203.1

(58) **Field of Classification Search**

USPC D3/203.1, 203.2, 203.3, 201, 203.4, D3/203.5, 203.6, 203.7, 203.8, 272, 273, D3/901-905, 302, 276, 294, 295; D24/224; D6/515; D9/420-424; D99/28; D14/214, 314; D7/615, 629

CPC A61J 1/00; A61J 7/04; B65D 43/20; A47F 3/0404

See application file for complete search history.

(Continued)

Primary Examiner — Brett Miller

Assistant Examiner — Jessica M Gebhart

(74) *Attorney, Agent, or Firm* — Che-Yang Chen; Law Office of Michael Chen

(57) **CLAIM**

The ornamental design for a dispense type pill organizer, as shown and described.

DESCRIPTION

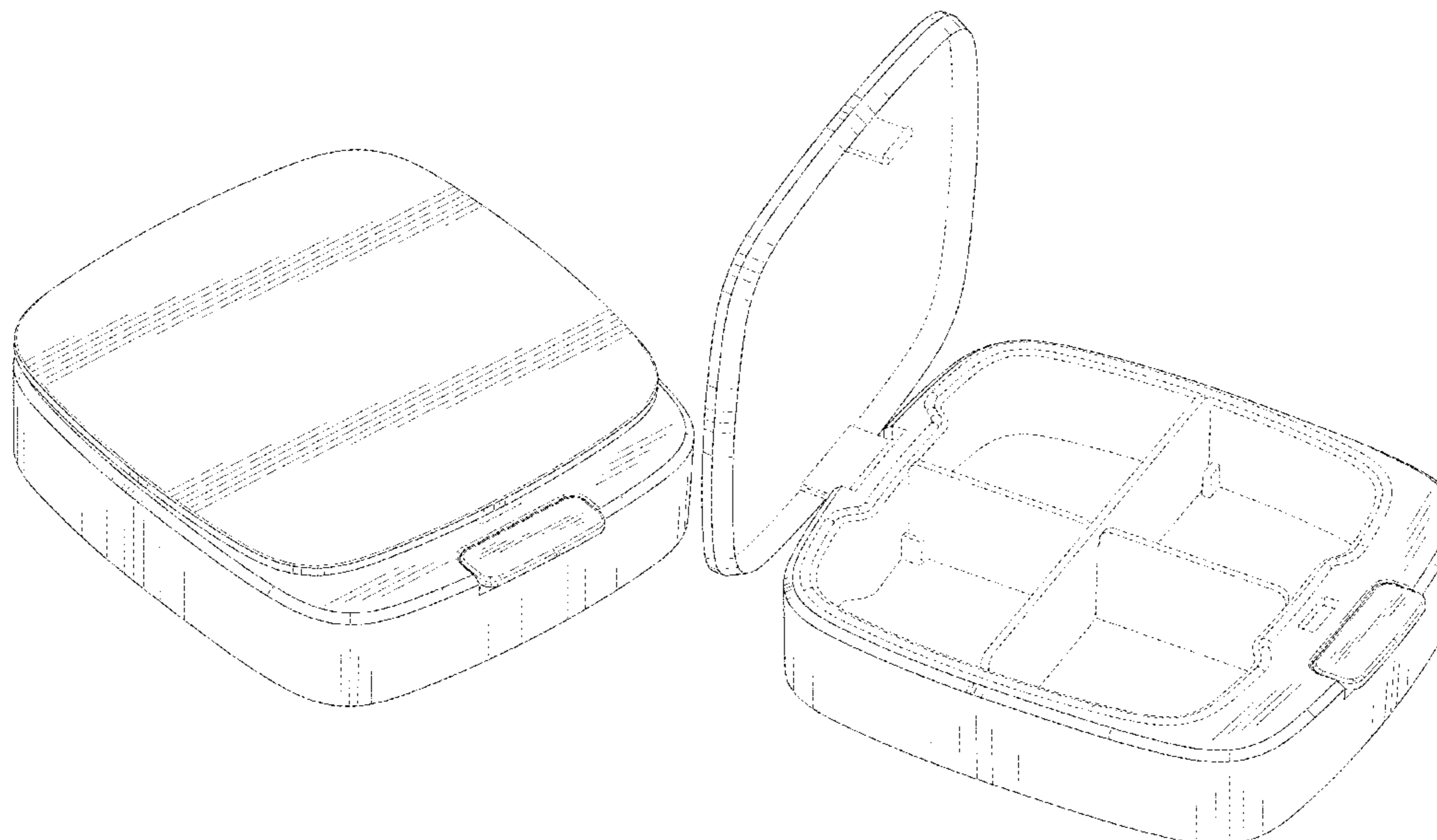
FIG. 1 is a perspective view of the dispense type pill organizer showing my new design; FIG. 2 is a perspective view thereof from another angle; FIG. 3 is a front elevational view thereof; FIG. 4 is a rear elevational view thereof; FIG. 5 is a left side elevational view thereof; FIG. 6 is a right side elevational view thereof; FIG. 7 is a top plan view thereof; FIG. 8 is a bottom plan view thereof; and, FIG. 9 is a perspective view thereof when it is in use. The broken lines shown in the drawings are included for the purpose of illustrating portions of the dispense type pill organizer that form no part of the claimed design.

(56) **References Cited**

U.S. PATENT DOCUMENTS

D531,023 S *	10/2006	Tanner	D9/423
D561,995 S *	2/2008	Poole	D3/294
D607,719 S *	1/2010	Masotti	D9/424
D624,316 S *	9/2010	Ferber	D3/294
D633,712 S *	3/2011	Everette	D3/203.1
D684,824 S *	6/2013	Sweet	D7/629
D693,999 S	11/2013	Alexander		
D825,325 S *	8/2018	Maxwell	D9/424
D841,983 S *	3/2019	Wang	D3/295
D872,480 S *	1/2020	Cortes	D3/295
D935,167 S *	11/2021	Chen	D3/203.3
D948,866 S *	4/2022	Wilkins	D3/273
D959,140 S *	8/2022	Kachian	D3/294

1 Claim, 9 Drawing Sheets



(56)

References Cited

OTHER PUBLICATIONS

Amazon.com, Site visited Aug. 3, 2022, Artfuy Travel Pill Organizer, First available Aug. 5, 2021, <https://www.amazon.com/Artfuy-Compartments-Organizer-Organizer-Container/dp/B09BZ9KS8P> (Year: 2021).*

Amazon.com, Site visited Aug. 5, 2022, AICase Biometric Fingerprint Storage Box, First available Oct. 20, 2021, <https://www.amazon.com/Biometric-Fingerprint-AICase-Portable-Combination/dp/B09JWLWMT?th=1> (Year: 2021).*

* cited by examiner

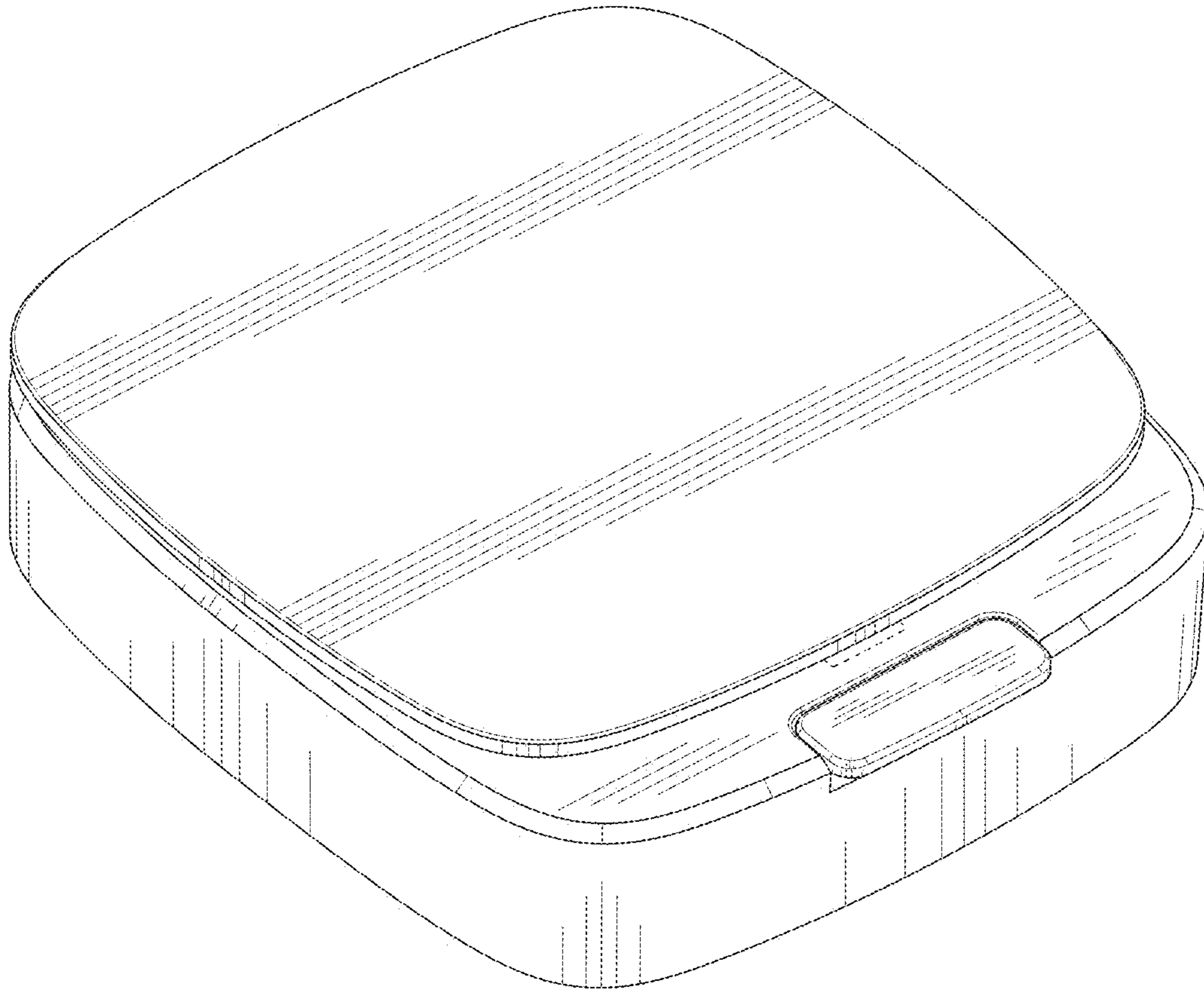


FIG. 1

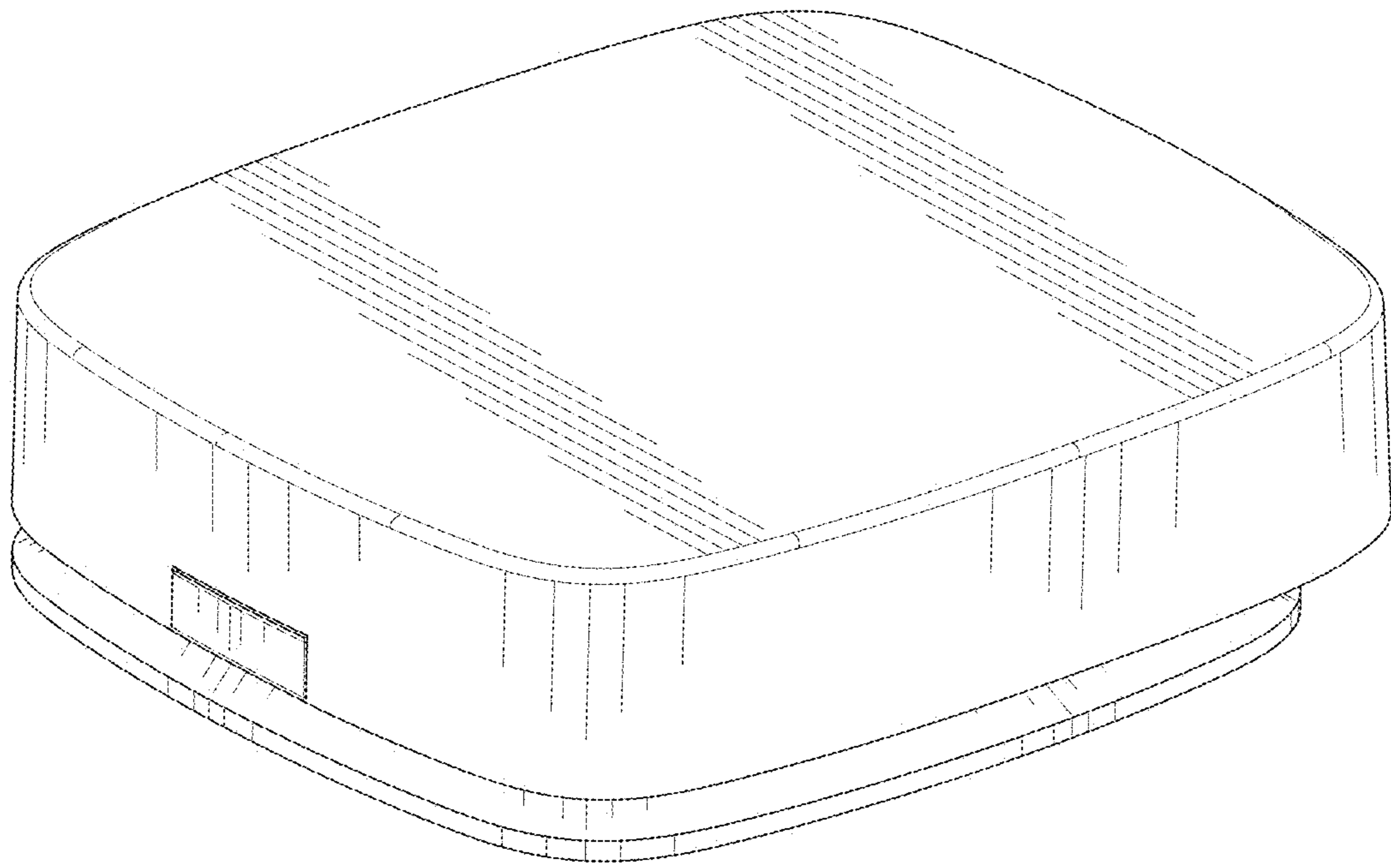


FIG. 2

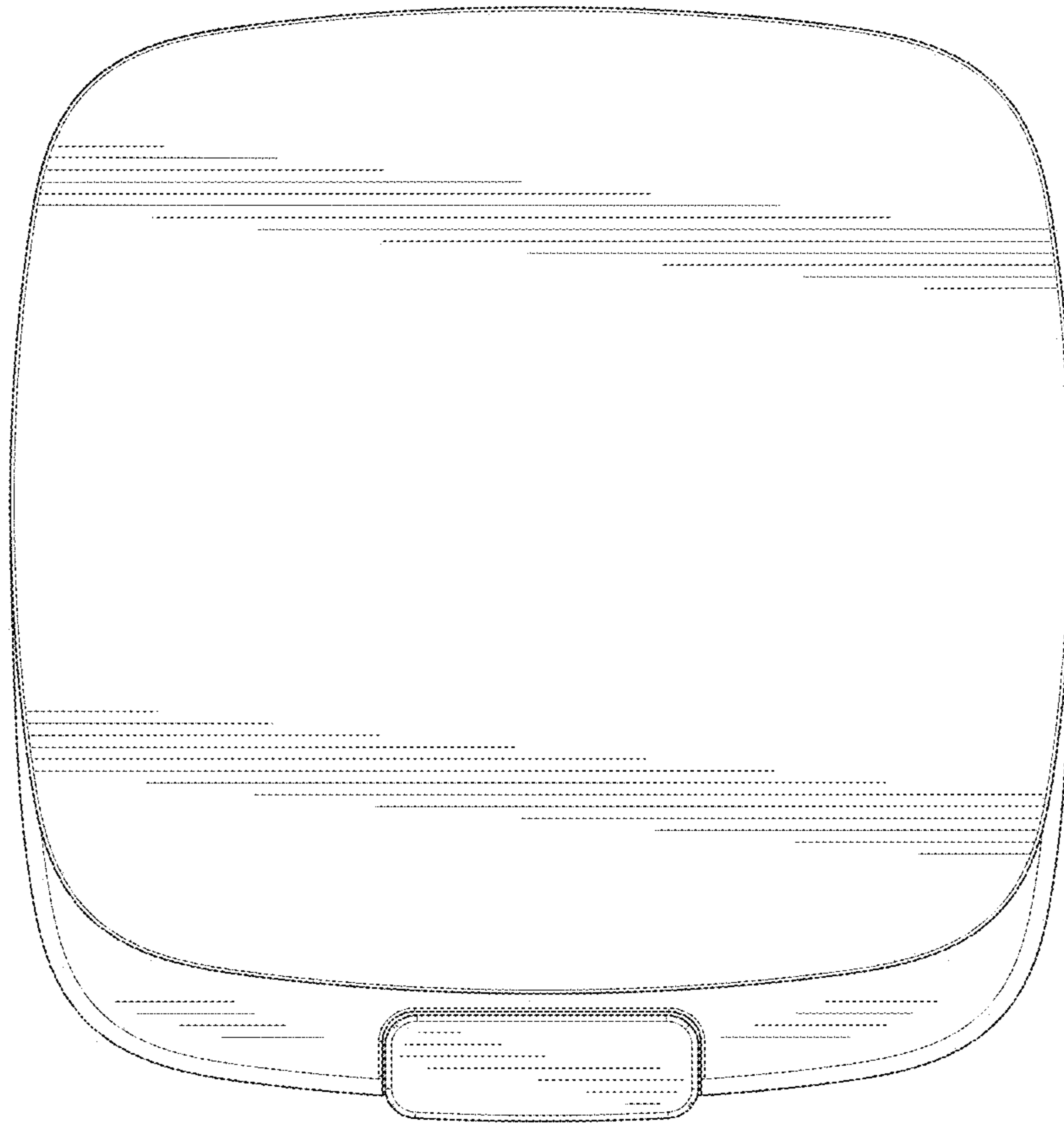


FIG. 3

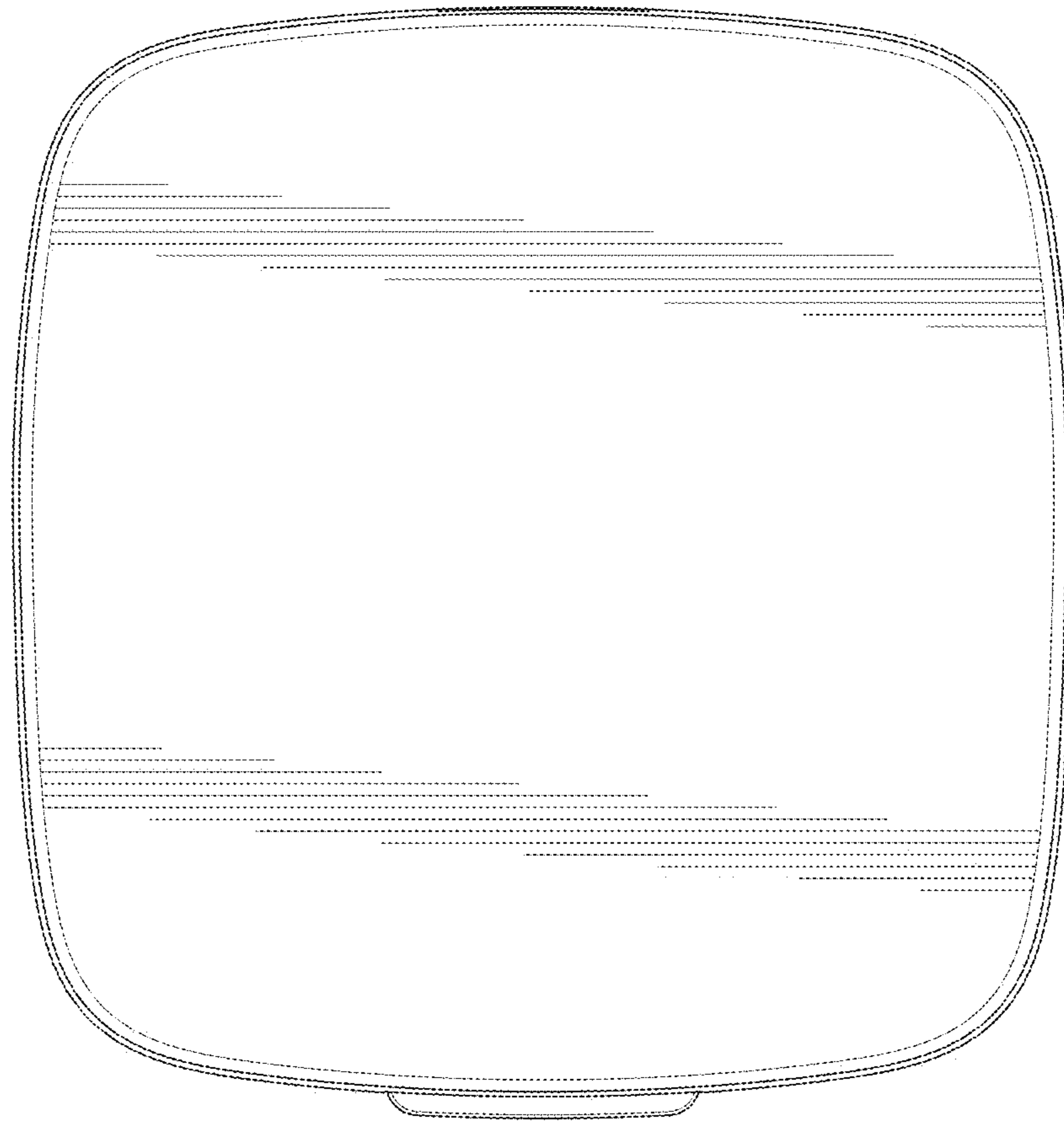


FIG. 4

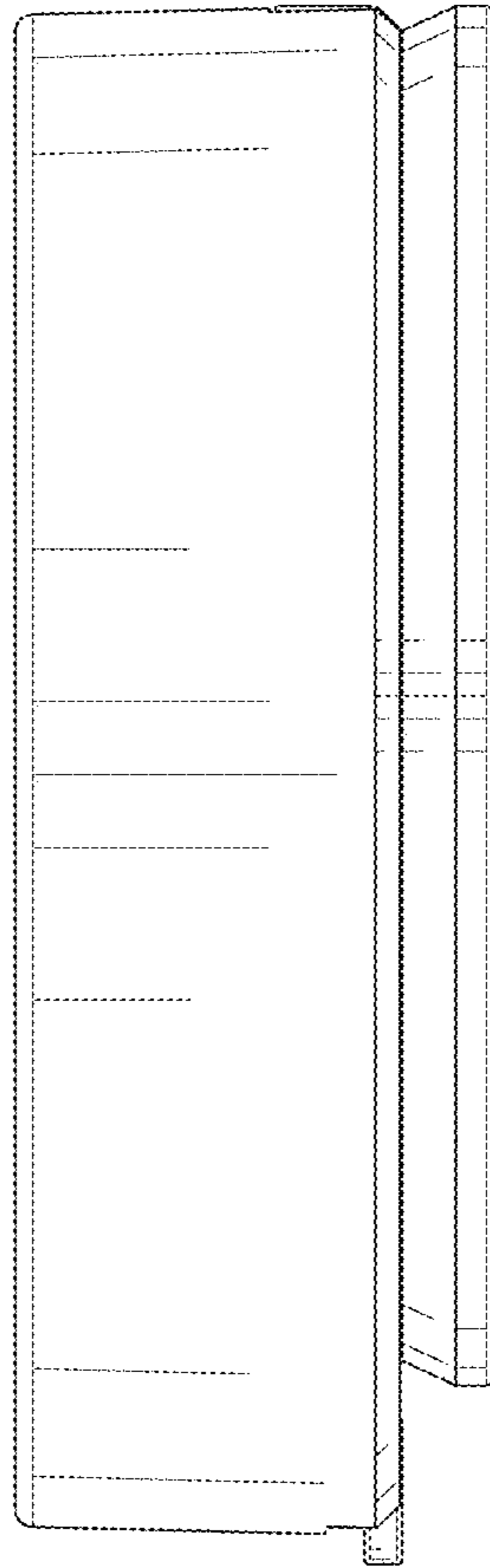


FIG. 5

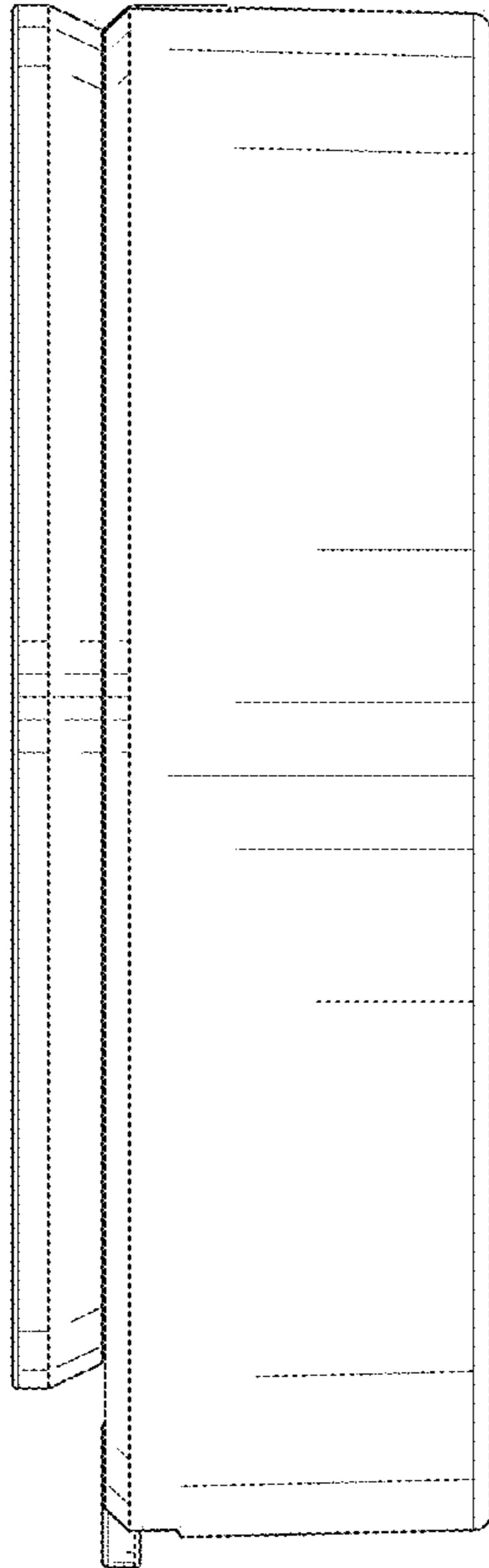


FIG. 6

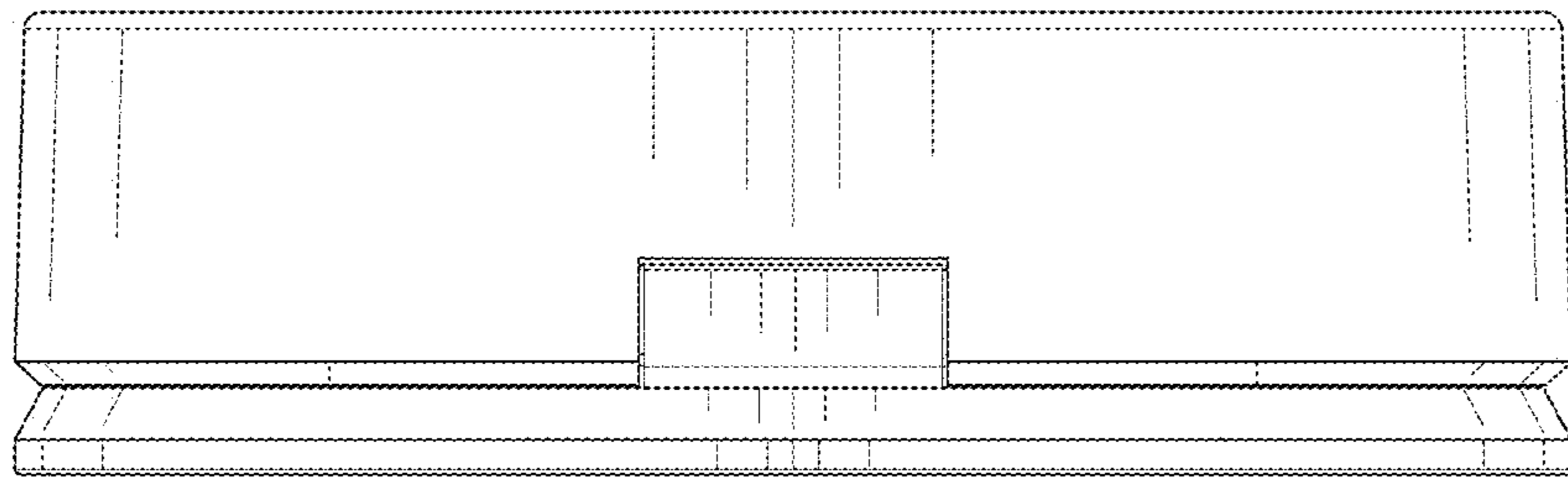


FIG. 7

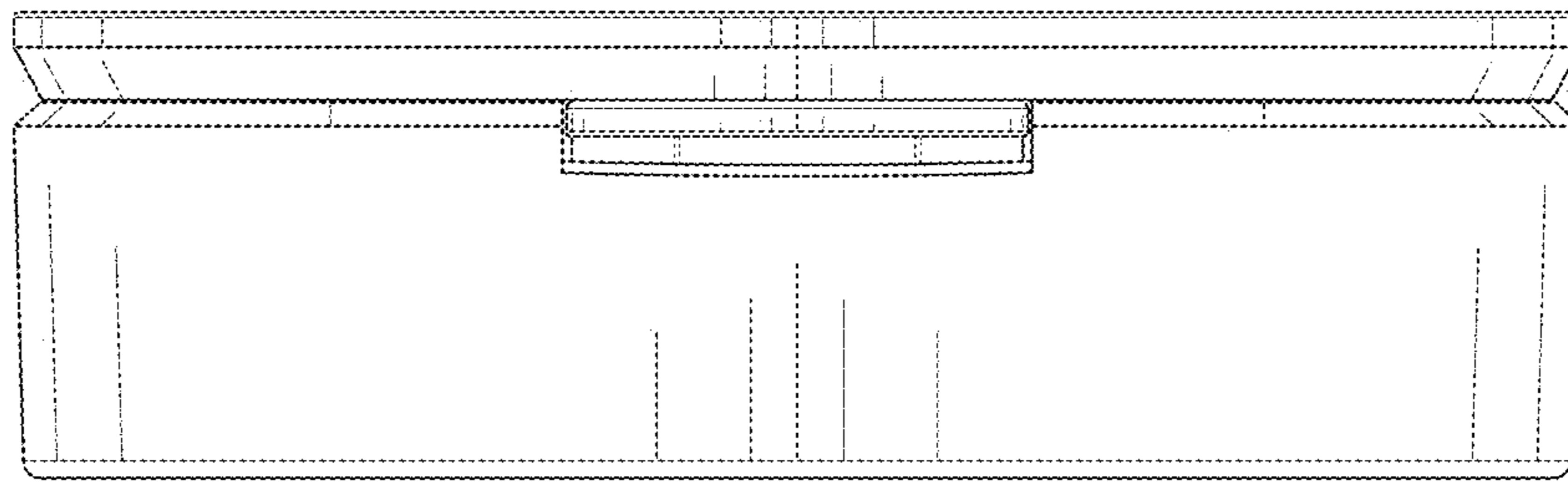


FIG. 8

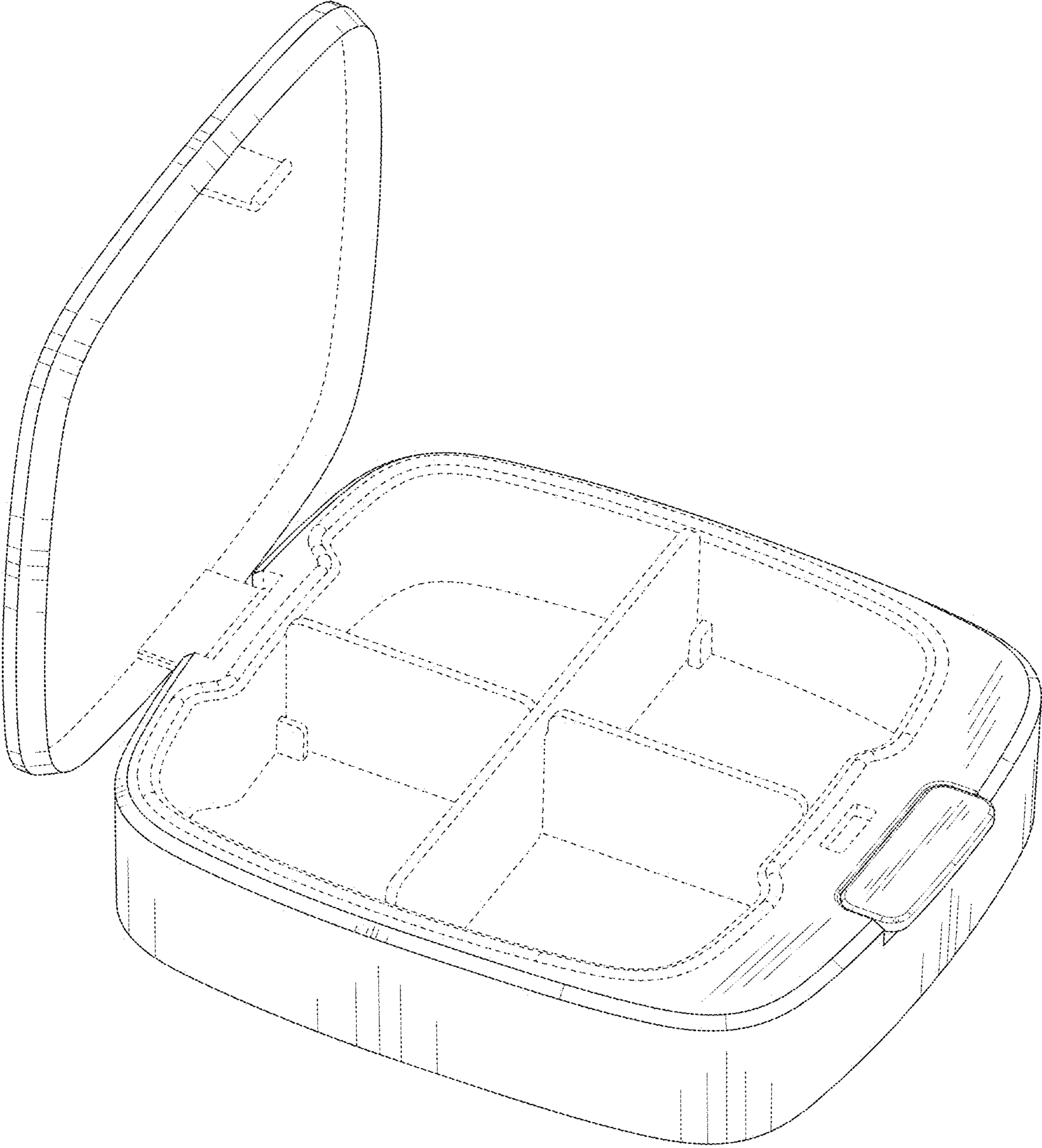


FIG. 9