



US00D973360S

(12) **United States Design Patent** (10) **Patent No.:** **US D973,360 S**  
**Abloh et al.** (45) **Date of Patent:** **\*\* Dec. 27, 2022**

(54) **EARPHONE CASE**

FOREIGN PATENT DOCUMENTS

(71) Applicant: **OFF-WHITE, LLC**, New York, NY (US)

GB 9008147185-0001 \* 8/2020  
KR 301058209.0000 \* 5/2020

(72) Inventors: **Virgil Abloh**, New York, NY (US);  
**Maria Giulia Migliore**, Milan (IT)

OTHER PUBLICATIONS

(73) Assignee: **OFF-WHITE, LLC**, New York, NY (US)

SaNgaiMEi AirPods Case, announced May 16, 2019 [online], [site visited Mar. 7, 2022]. Available from internet, URL: <<https://www.amazon.com/SaNgaiMEi-Protectvie-Compatible-Charging-Keychain/dp/B07RWD5187>> (Year: 2019).\*

(\*\*) Term: **15 Years**

\* cited by examiner

(21) Appl. No.: **29/752,196**

(22) Filed: **Sep. 25, 2020**

*Primary Examiner* — Kevin K Rudzinski

(51) **LOC (13) Cl.** ..... **03-01**

*Assistant Examiner* — Amber J Rabie

(52) **U.S. Cl.**

(74) *Attorney, Agent, or Firm* — Epstein Drangel LLP;

USPC ..... **D3/294**

Robert L. Epstein

(58) **Field of Classification Search**

(57) **CLAIM**

USPC ..... D3/201, 207, 208, 211, 212, 274, 276,  
D3/294, 295, 297; D9/504, 549

The ornamental design for an earphone case, substantially as shown and described.

CPC ..... H04R 1/1033

See application file for complete search history.

**DESCRIPTION**

(56) **References Cited**

U.S. PATENT DOCUMENTS

2,810,418 A \* 10/1957 Aschkenasy ..... A45C 1/08  
150/900  
D334,838 S \* 4/1993 Muse ..... A45C 11/00  
D3/246  
5,409,153 A \* 4/1995 Ristich ..... A45C 1/04  
D3/238  
D370,562 S \* 6/1996 Arini ..... D3/234  
5,971,242 A \* 10/1999 Schuerman ..... H04B 1/3888  
224/544  
7,673,745 B2 \* 3/2010 Sirichai ..... A45C 11/00  
206/320  
D669,265 S \* 10/2012 Pent ..... H04B 1/3888  
D3/243  
D764,166 S \* 8/2016 Kuwakubo ..... D3/246  
2003/0219115 A1 \* 11/2003 Kohli ..... H04B 1/3888  
379/428.01

FIG. 1 is an isometric view of the earphone case showing the top, front and right side thereof;

FIG. 2 is an isometric view of the earphone case showing the bottom, rear and left side thereof;

FIG. 3 is a front elevation view thereof;

FIG. 4 is a rear elevation view thereof;

FIG. 5 is an elevation view of the left side thereof;

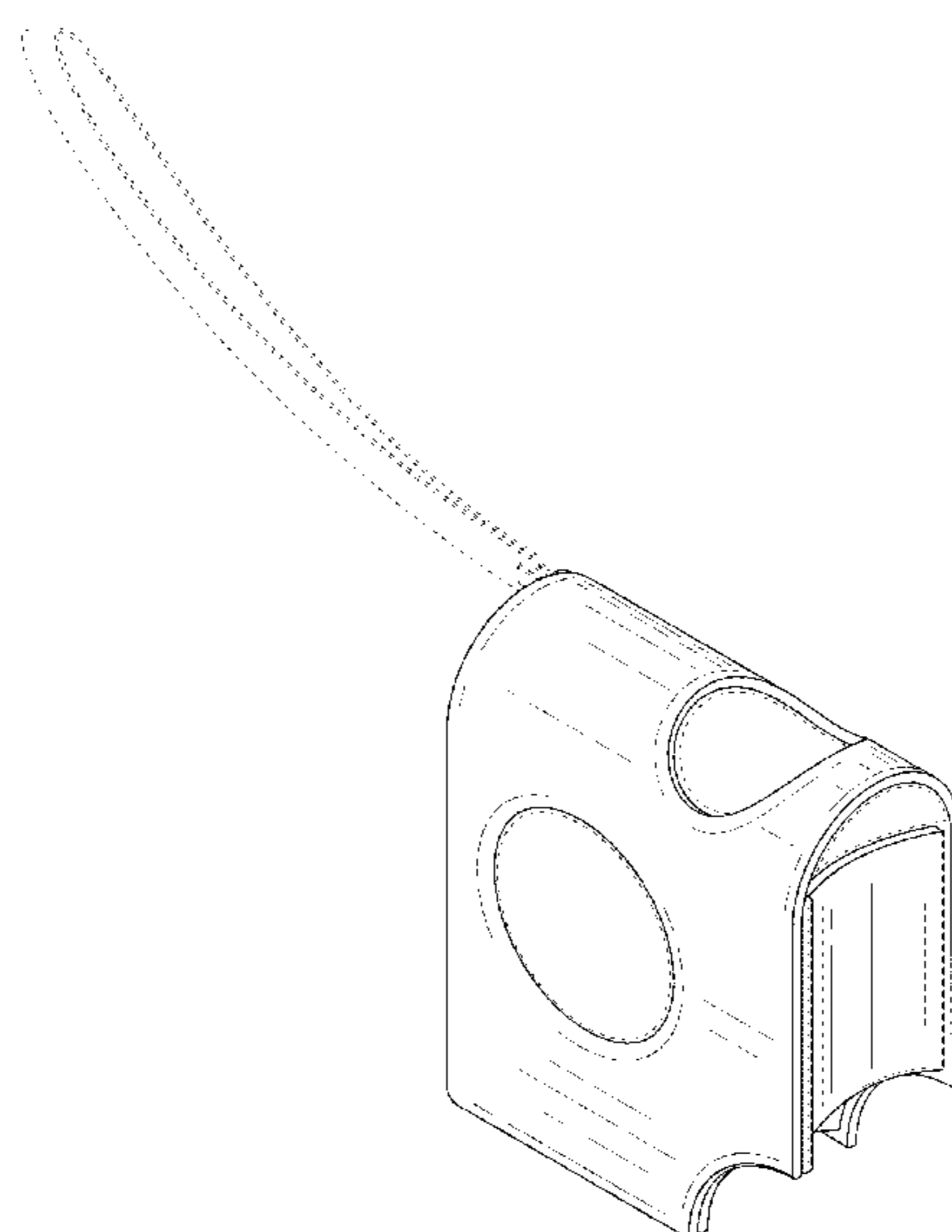
FIG. 6 is an elevation view of the right side thereof;

FIG. 7 is a top plan view thereof; and,

FIG. 8 is a bottom plan view thereof.

The broken lines illustrating a strap in the drawings represent portions of the article that do not form a part of the claimed design. The broken lines adjacent to solid lines in the drawings represent boundaries of the claim and do not form part of the claimed design.

**1 Claim, 6 Drawing Sheets**



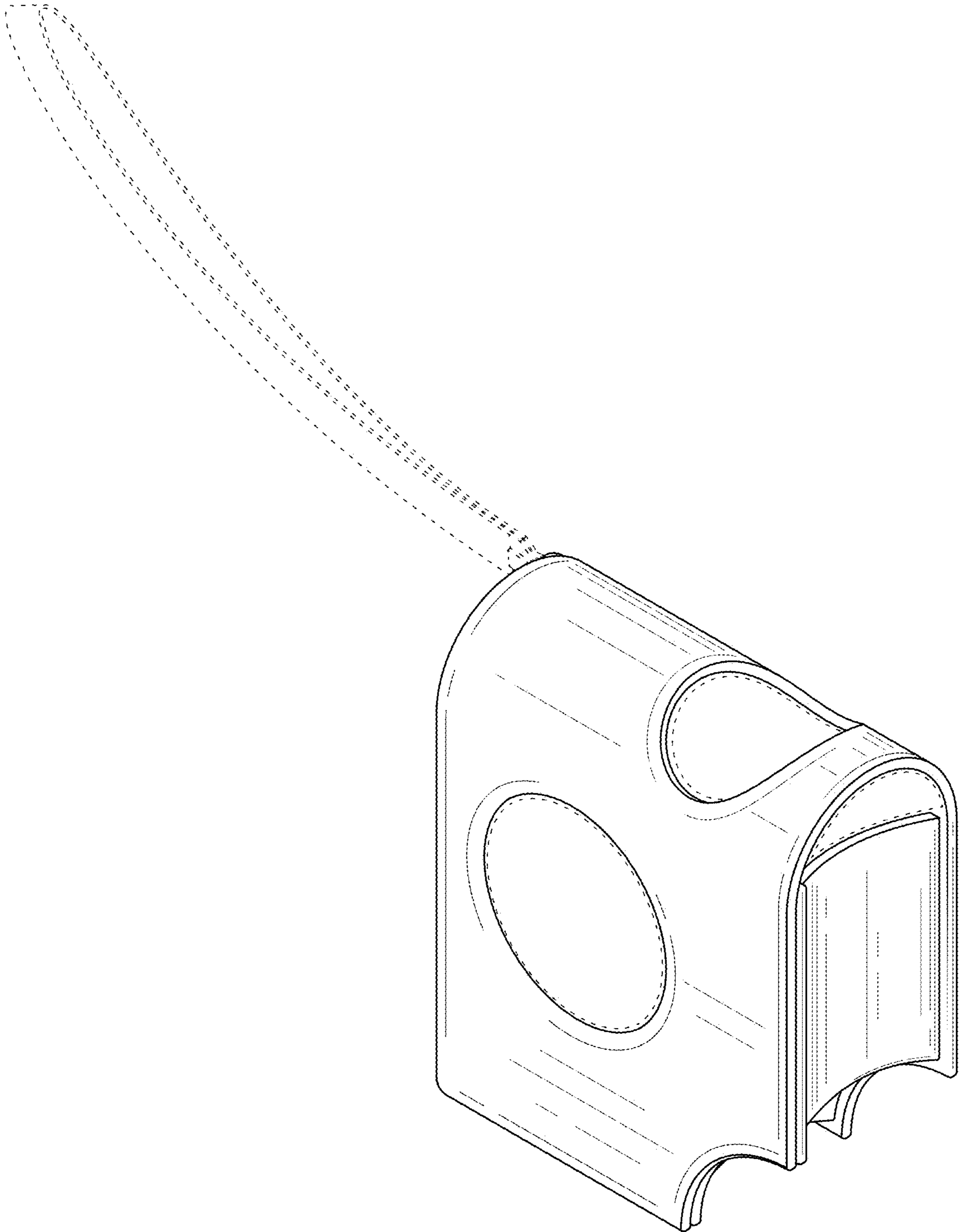


FIG. 1

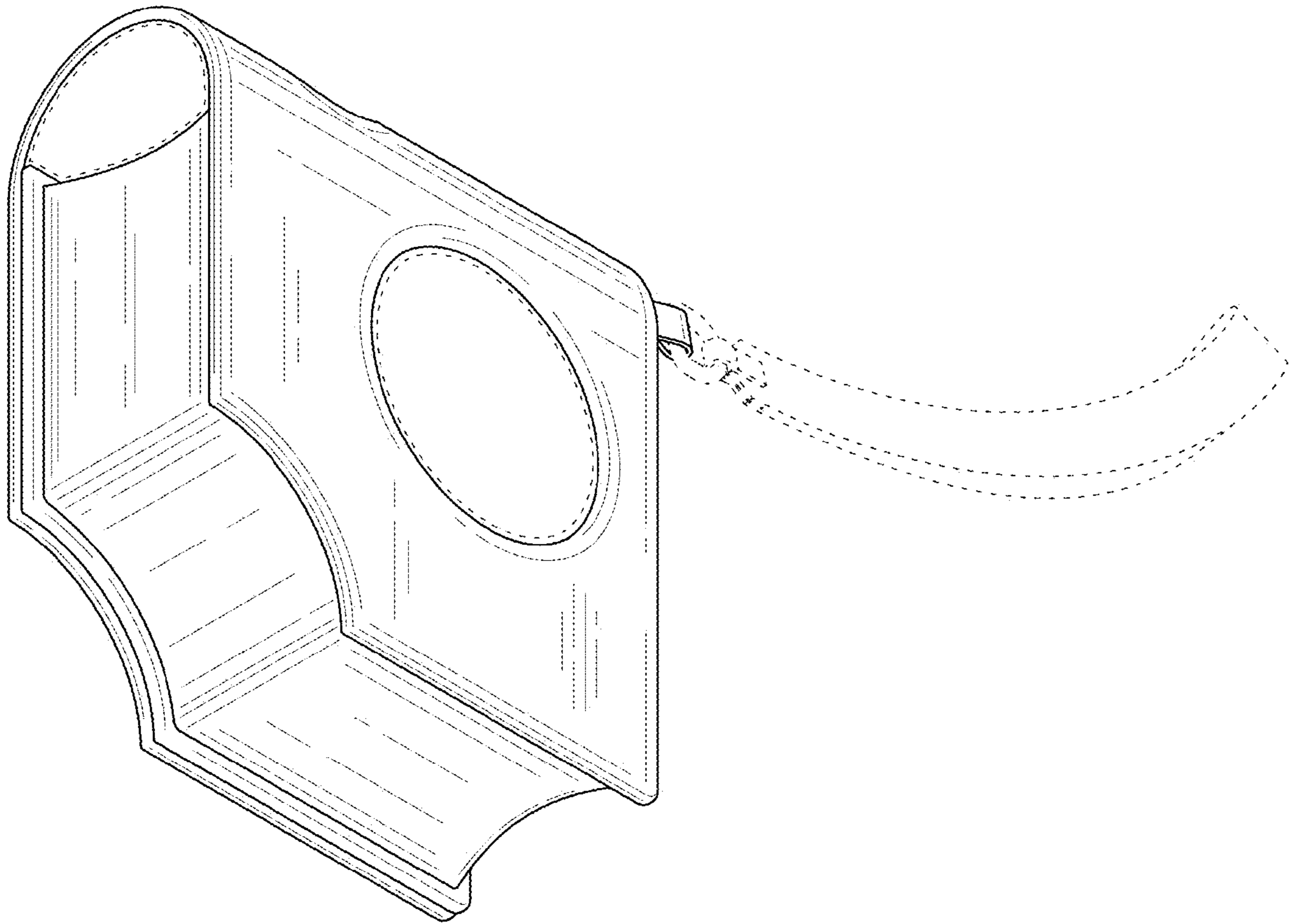


FIG. 2

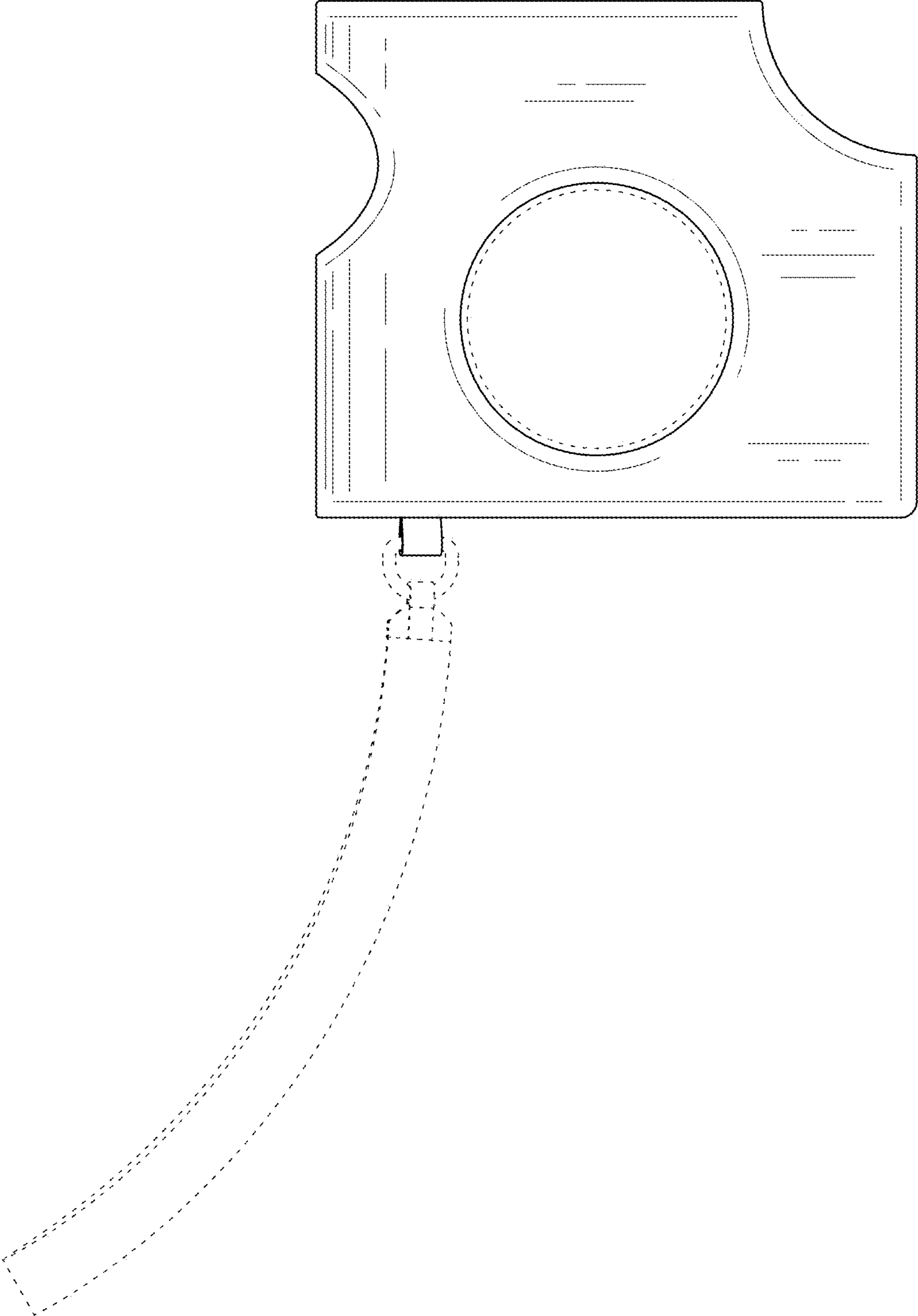


FIG. 3

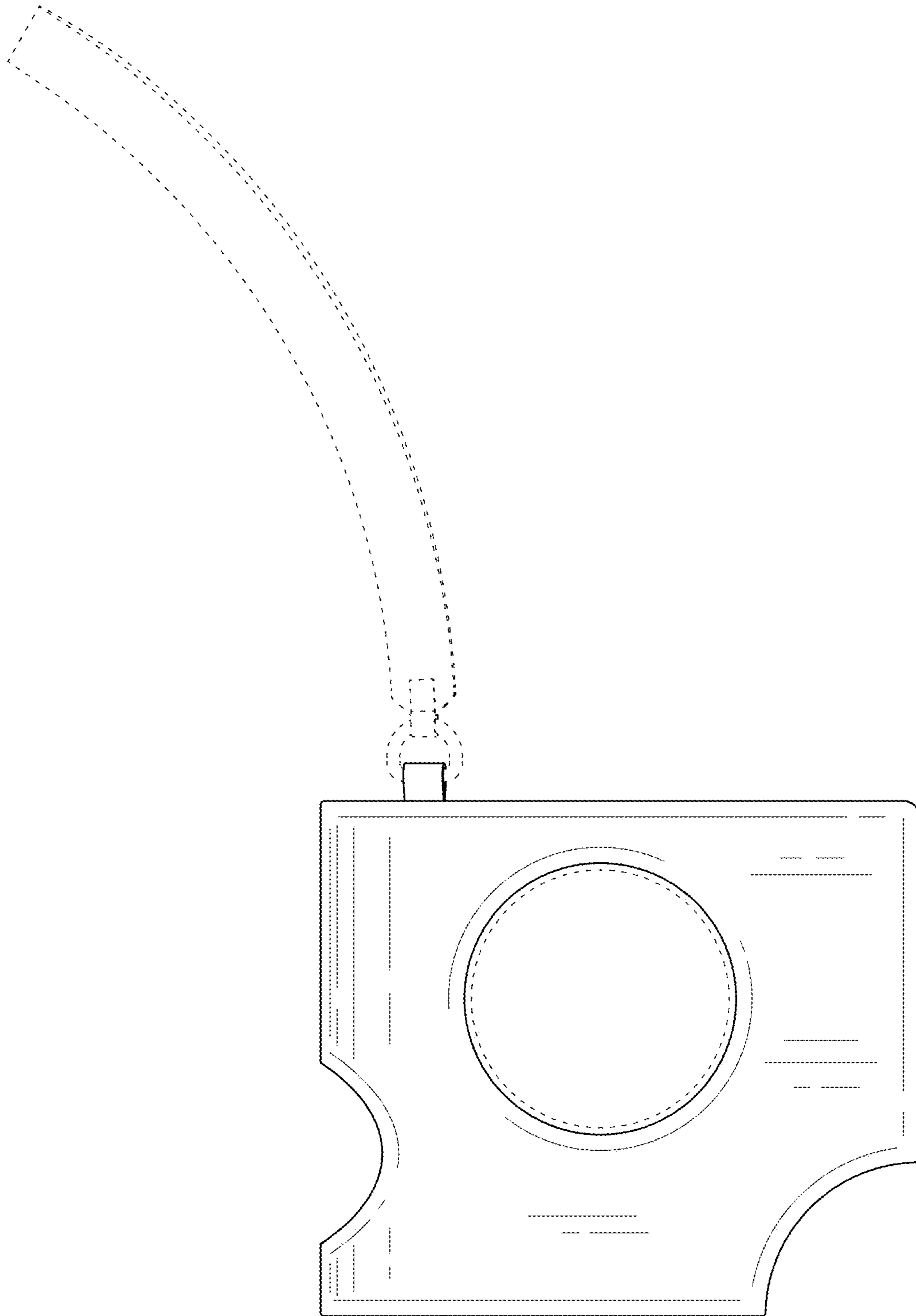


FIG. 4

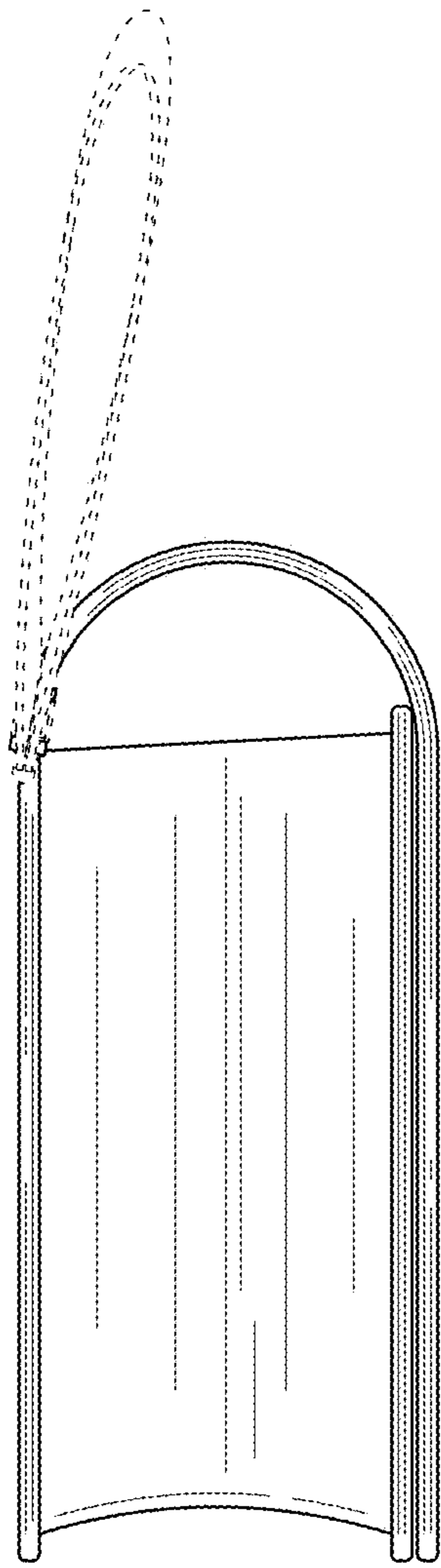


FIG. 5

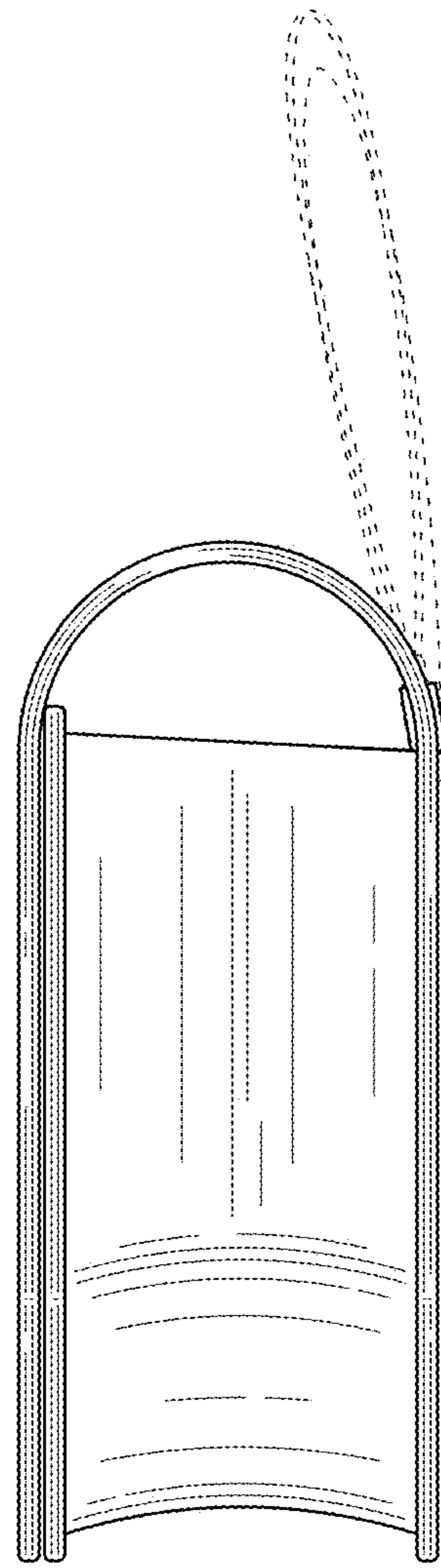


FIG. 6

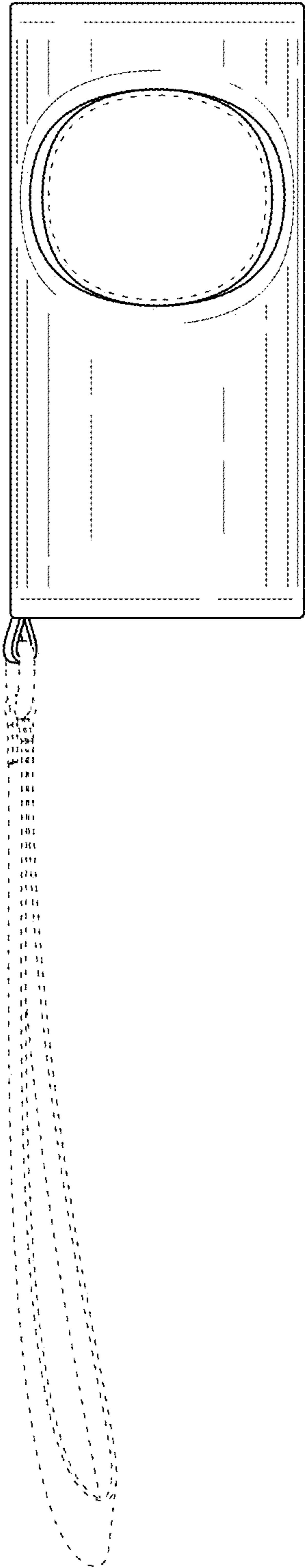


FIG. 7



FIG. 8