



US00D973359S

(12) **United States Design Patent**
Liu et al.

(10) **Patent No.:** **US D973,359 S**
(45) **Date of Patent:** **** Dec. 27, 2022**

(54) **FIREPROOF FOLDING STORAGE BOX**
(71) Applicant: **Shenzhen Yihuaxing Technology Co., Ltd.**, Shenzhen (CN)

D560,875 S * 1/2008 Decarlo D3/273
D579,174 S * 10/2008 Decarlo D3/273
D671,743 S * 12/2012 Cenzano D99/28
D677,463 S * 3/2013 Cenzano D99/28

(Continued)

(72) Inventors: **Yuming Liu**, Lianyuan (CN); **Xuyang He**, Lianyuan (CN)

(**) Term: **15 Years**

(21) Appl. No.: **29/787,601**

(22) Filed: **Jun. 8, 2021**

(30) **Foreign Application Priority Data**

Jun. 1, 2021 (CN) 202130306496.6

(51) **LOC (13) Cl.** **03-01**

(52) **U.S. Cl.**
USPC **D3/290**; D99/28

(58) **Field of Classification Search**

USPC D3/201, 272, 273, 274, 276, 294, 291,
D3/900, 290, 901, 902, 903, 904, 905,
D3/303; D99/28, 43, 99

CPC A45C 5/00; A45C 5/03; A45C 2005/032;
A45C 2005/035; A45C 7/00; A45C
7/0036; A45C 13/008; F41C 33/00; F41C
33/06; F41C 33/02; E05B 65/0075; F42B
39/00; F42B 39/14; F42B 39/18; F42B
39/22; F42B 39/26; E05G 1/00; E05G
1/024; E05G 1/005; E05G 5/00; E05G
2700/00; E05G 2700/02; G07F 17/10;
G07D 11/00; G07D 11/009

See application file for complete search history.

(56) **References Cited**

U.S. PATENT DOCUMENTS

D268,063 S * 2/1983 Chase D99/28
D335,378 S * 5/1993 Mariol D99/28
5,904,230 A * 5/1999 Peterson A45C 11/20
383/4

OTHER PUBLICATIONS

File Box, File Storage box, Tamfile Fireproof File Folder Boxes for Hanging Letter/Legal Filing, Portable Document Organizer with Zipper Lock, Collapsible Office Document Storage Bin with Handle, Black, <https://www.amazon.com/Tamfile-Fireproof-Portable-Organizer-Collapsible/dp/B092M9SNQ7>, Apr. 15, 2021. (Year: 2021).*

(Continued)

Primary Examiner — Elizabeth J Oswecki

(57) **CLAIM**

The ornamental design for a fireproof folding storage box, as shown and described.

DESCRIPTION

FIG. 1 is a first perspective view of a fireproof folding storage box, showing our new design, shown in an open, unfolded position;

FIG. 2 is a second perspective view thereof, shown in an open, folded position;

FIG. 3 is a third perspective view of FIG. 1 shown in a closed position;

FIG. 4 is a top view of FIG. 1;

FIG. 5 is a left side view of FIG. 1;

FIG. 6 is a front view of FIG. 1;

FIG. 7 is a right side view of FIG. 1;

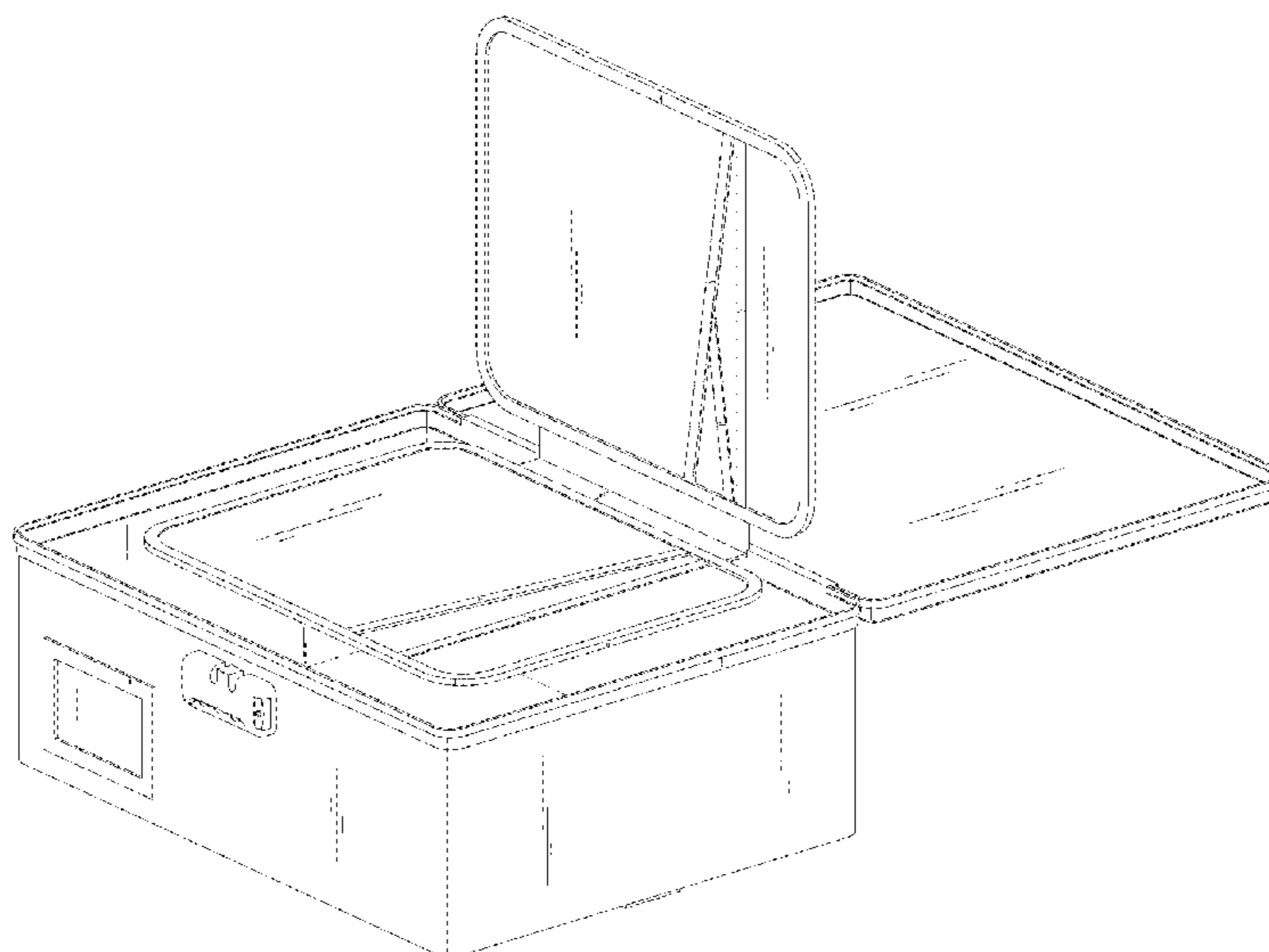
FIG. 8 is a back view of FIG. 1;

FIG. 9 is a bottom view of FIG. 1; and,

FIG. 10 is an enlarged portion view labeled, "FIG. 10," in FIG. 3.

The broken lines shown in the drawings depict portions of the fireproof folding storage box in which the design is embodied that form no part of the claimed design.

1 Claim, 10 Drawing Sheets



(56)

References Cited

U.S. PATENT DOCUMENTS

D702,198	S	*	4/2014	Gretz	D13/184
D728,931	S		5/2015	Faupel		
D732,264	S	*	6/2015	Hine	D99/28
D800,989	S	*	10/2017	Lucido	D99/28
D872,477	S		1/2020	Perella et al.		
D899,087	S	*	10/2020	Kuhls	D3/294
D903,318	S	*	12/2020	Schroder	D3/273
D906,670	S		1/2021	Kuhls		
D917,167	S	*	4/2021	Fenech	D3/290
D925,223	S	*	7/2021	Liu	D3/902
D929,732	S	*	9/2021	Ding	D3/273
D936,967	S	*	11/2021	Parry	D3/273
D943,409	S	*	2/2022	Ding	D3/273
2008/0121405	A1	*	5/2008	Ruihley	H02G 3/081 174/58

OTHER PUBLICATIONS

Fireproof Document Bag, Water-Resistant File Bag with Lock for Important Documents Organizer, Portable Storage Safe Bag for Travel Home Office and Files Certificates, Gift for Women and Men (Black),<https://www.amazon.com/Fireproof-Water-Resistant-Important-Documents-Certificates/dp/>, Mar. 27, 2021. (Year: 2021).*

Balaperi Fireproof Photo Storage Box with Lid—Holds up to 20 4"×6" Photo Cases (Photo Cases are Not Included), Collapsible Scrapbook Storage Box, Portable Art & Craft Organizer Box with Handle,<https://www.amazon.com/BALAPERI-Fireproof-Photo-Storage-Box/dp/B098N5ZZ41?th=1>, Jul. 5, 2021. (Year: 2021).*

* cited by examiner

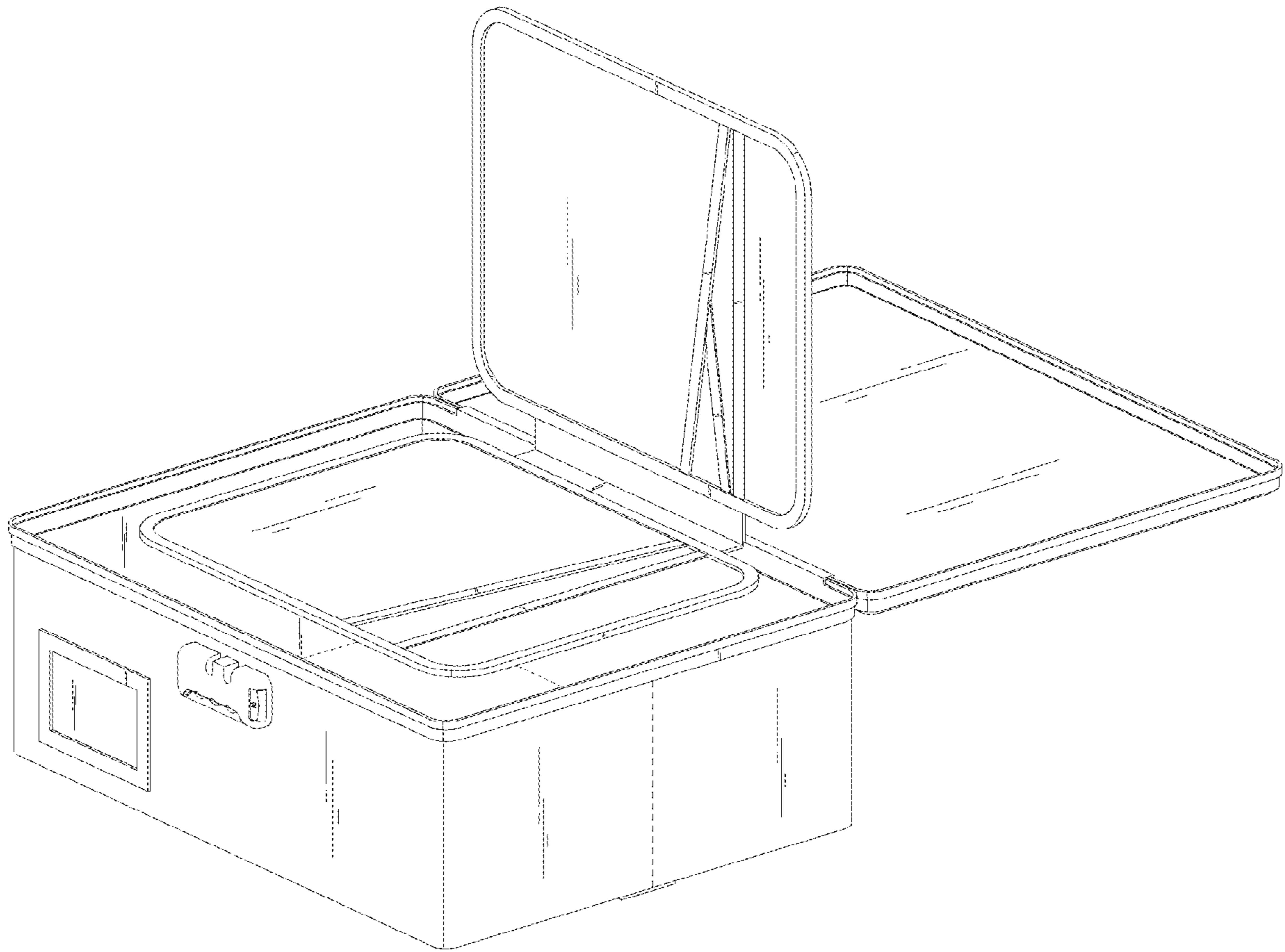


FIG. 1

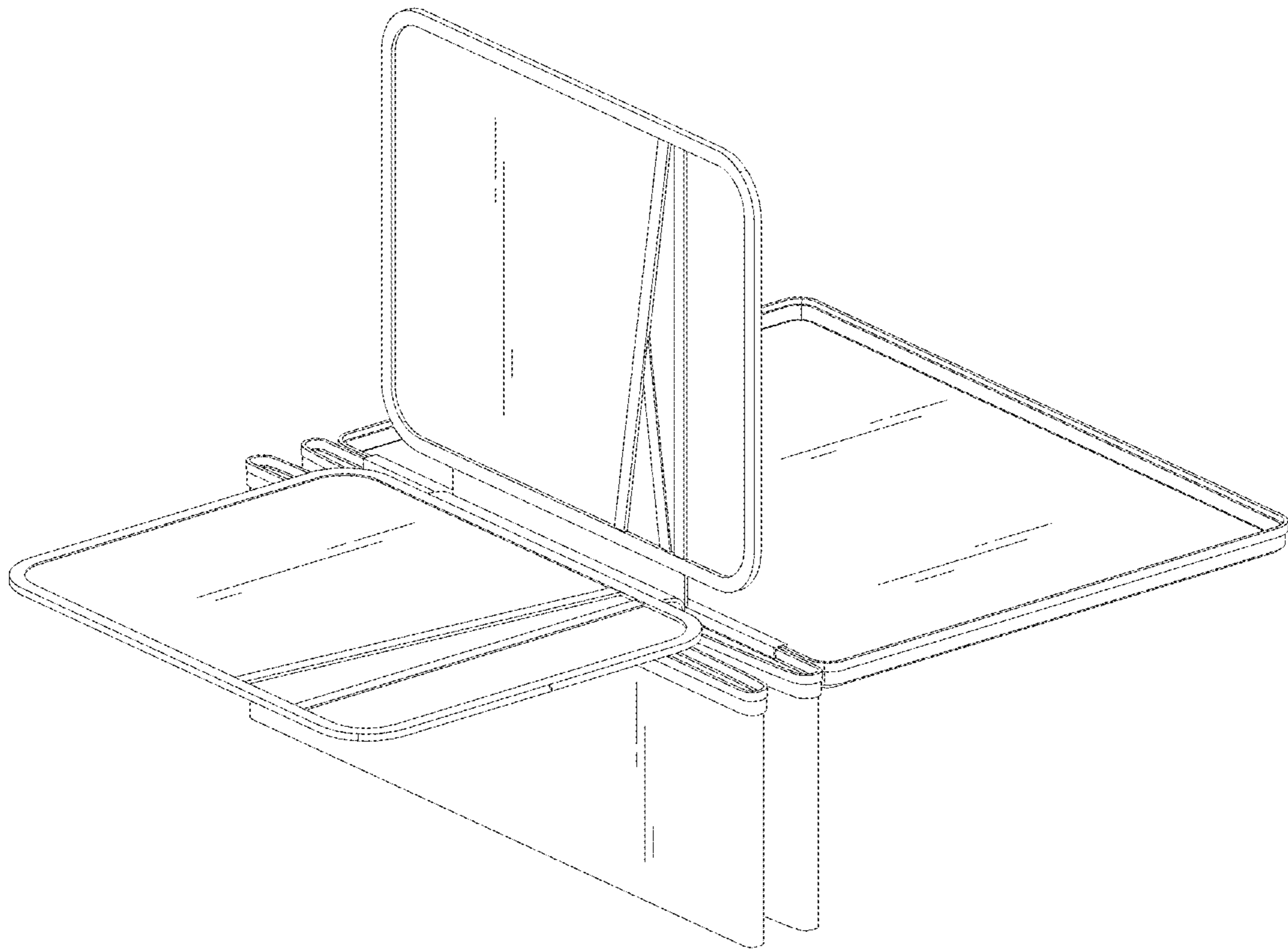


FIG. 2

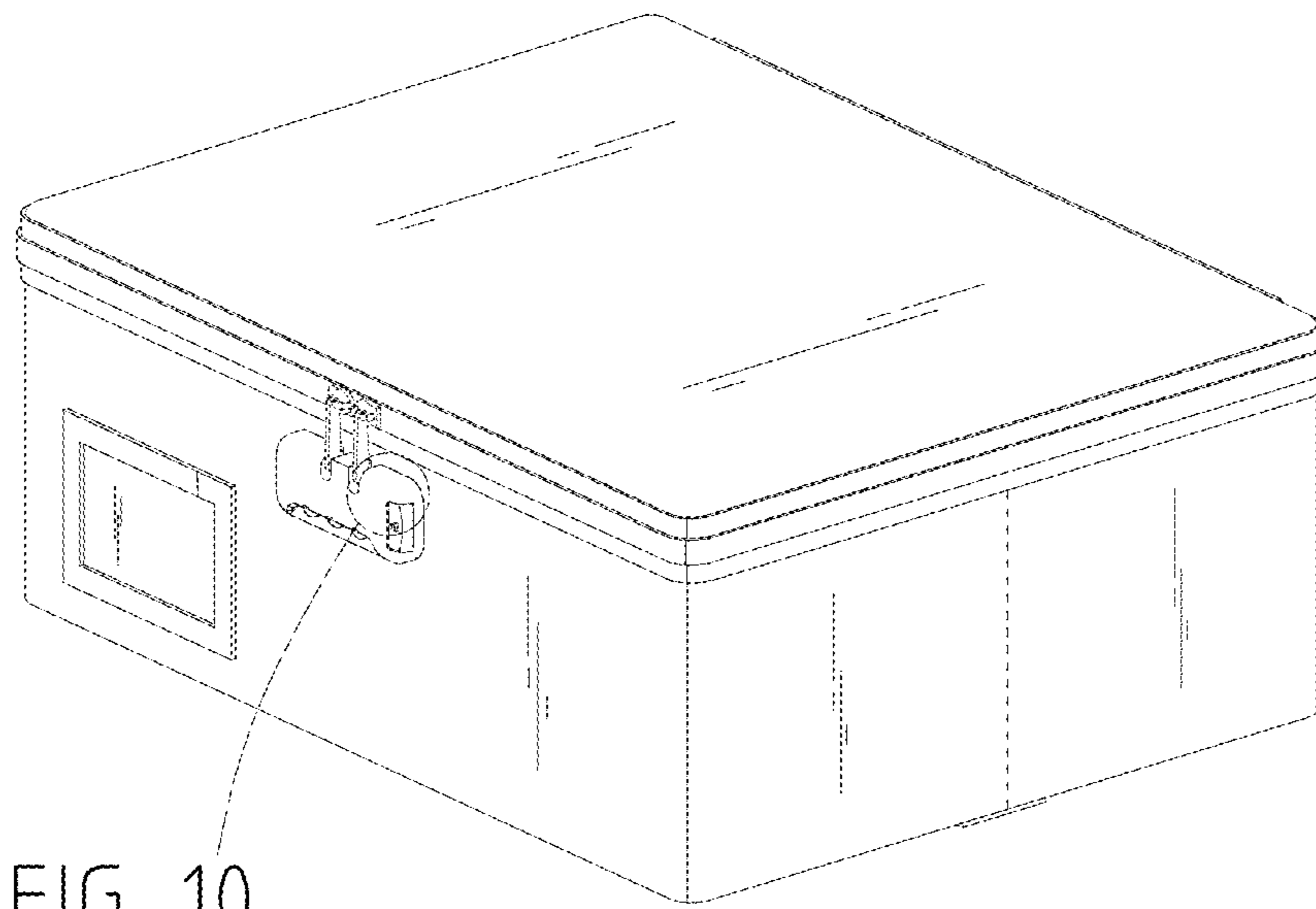


FIG. 10

FIG. 3

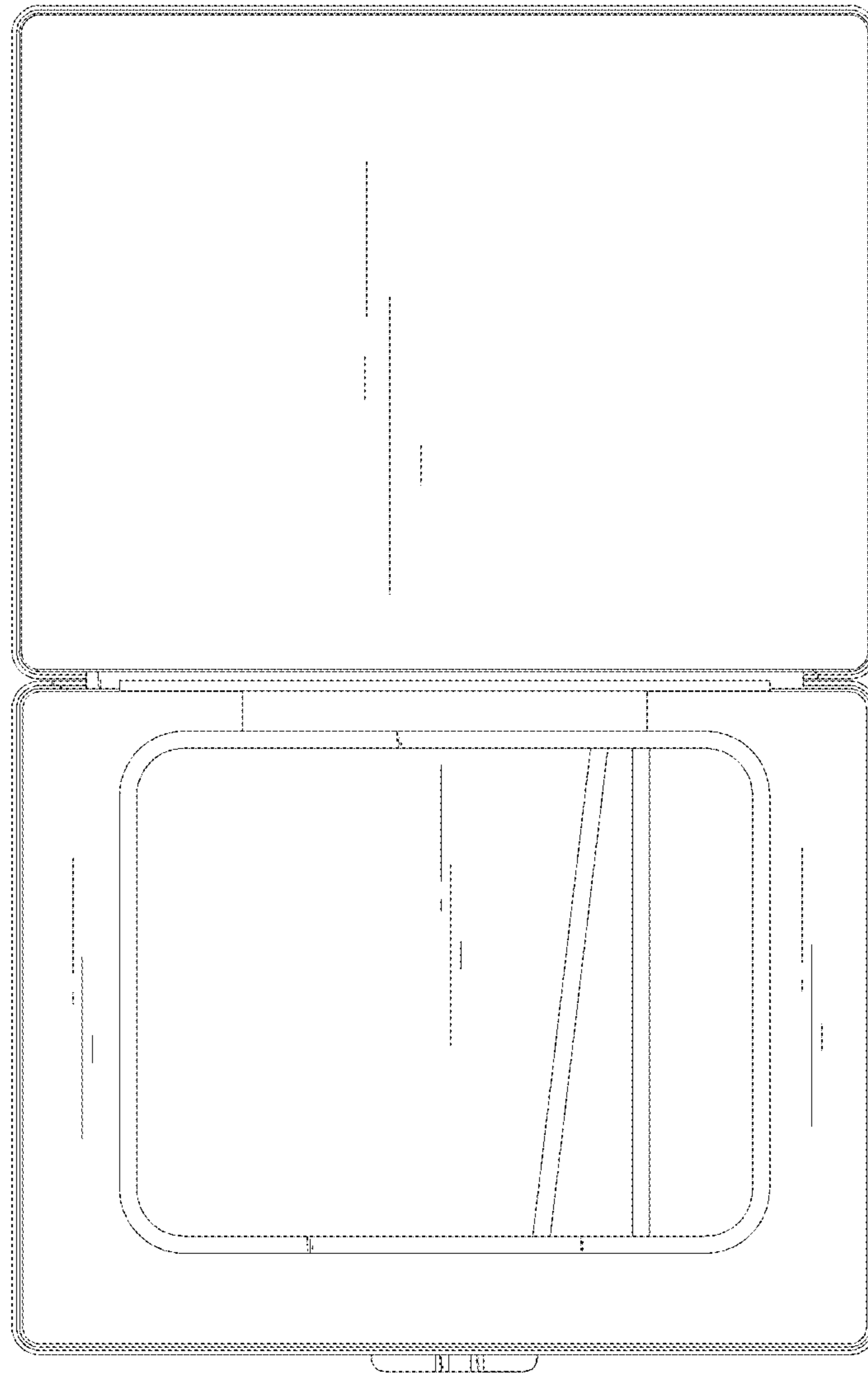


FIG. 4

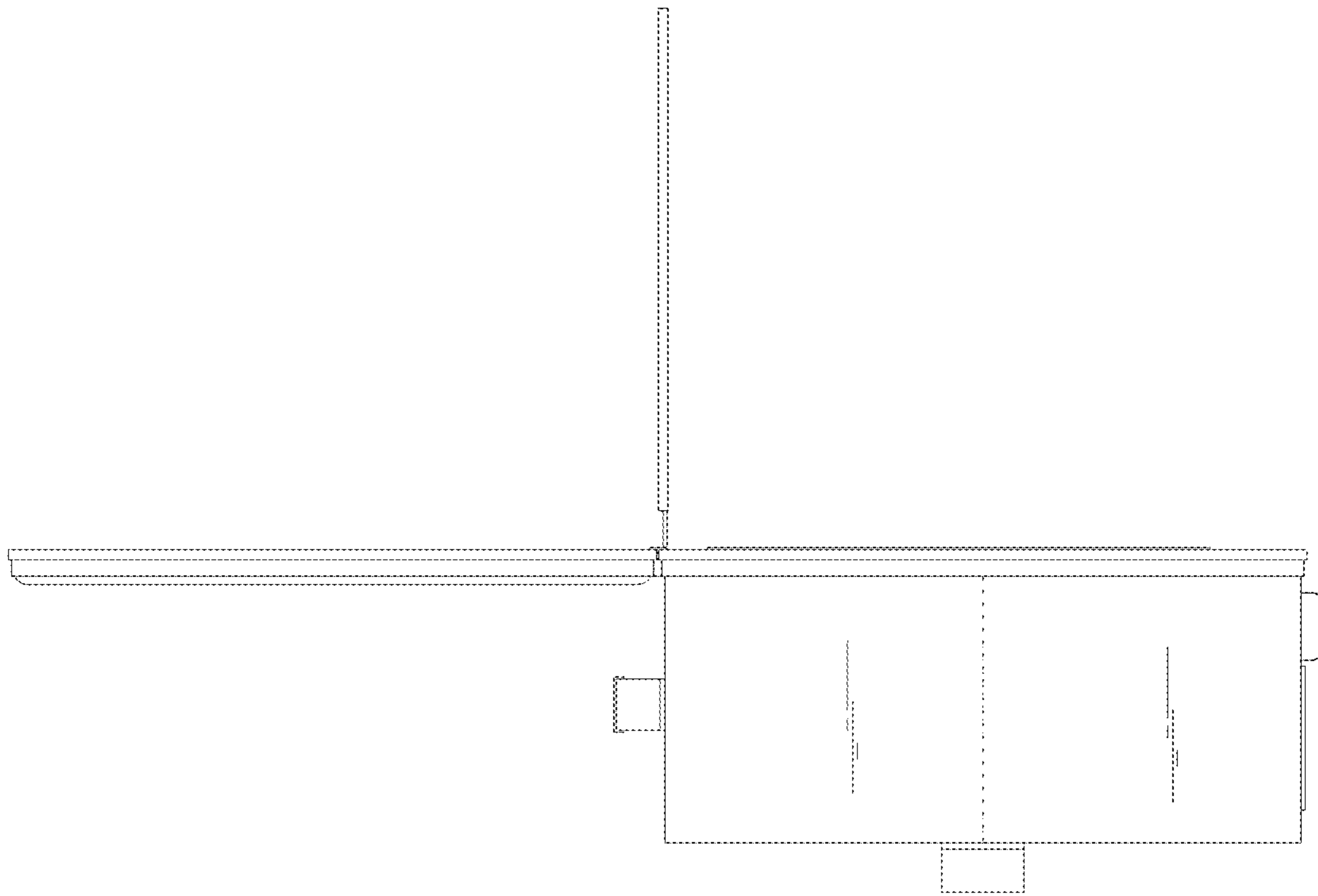


FIG. 5

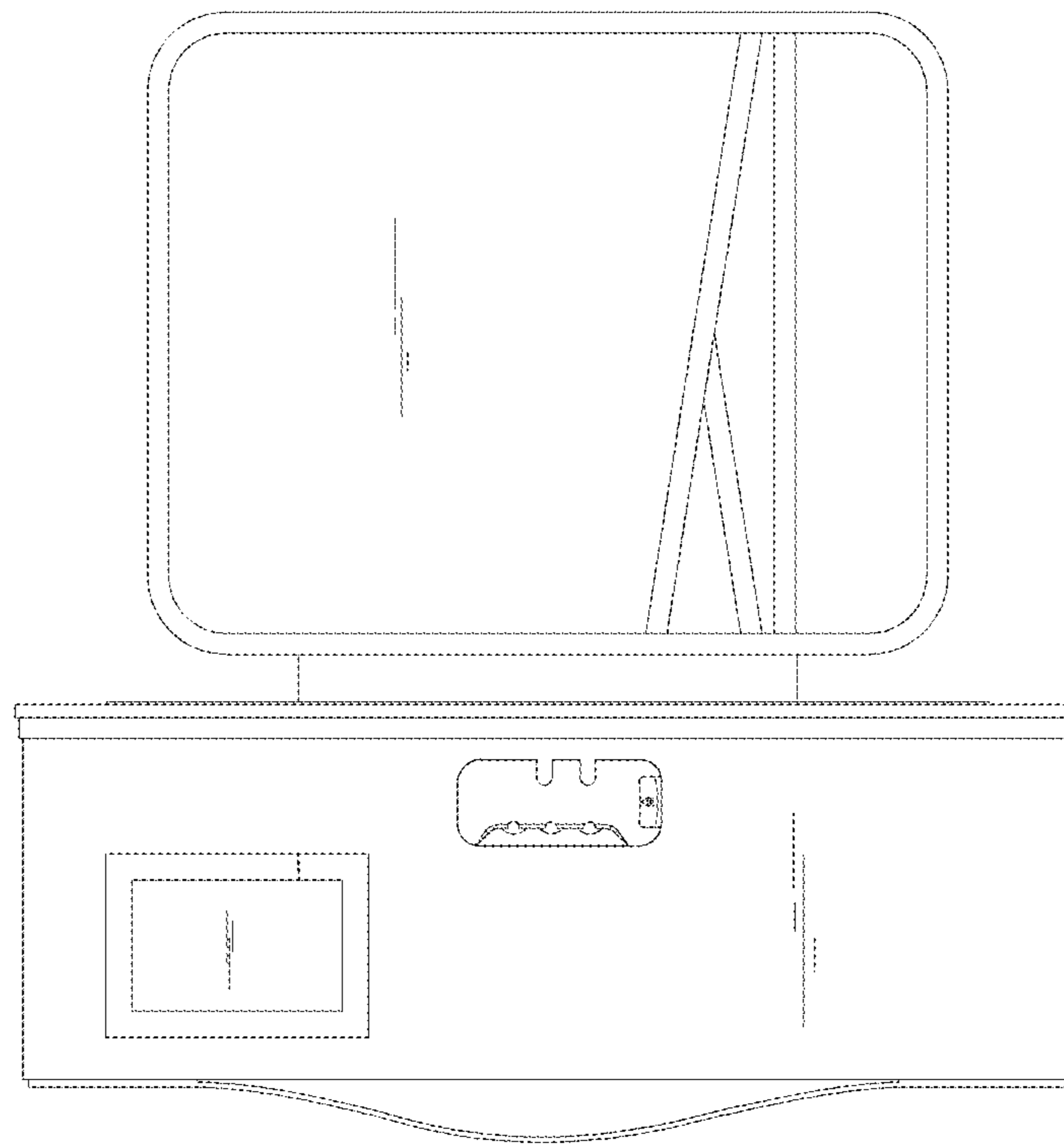


FIG. 6

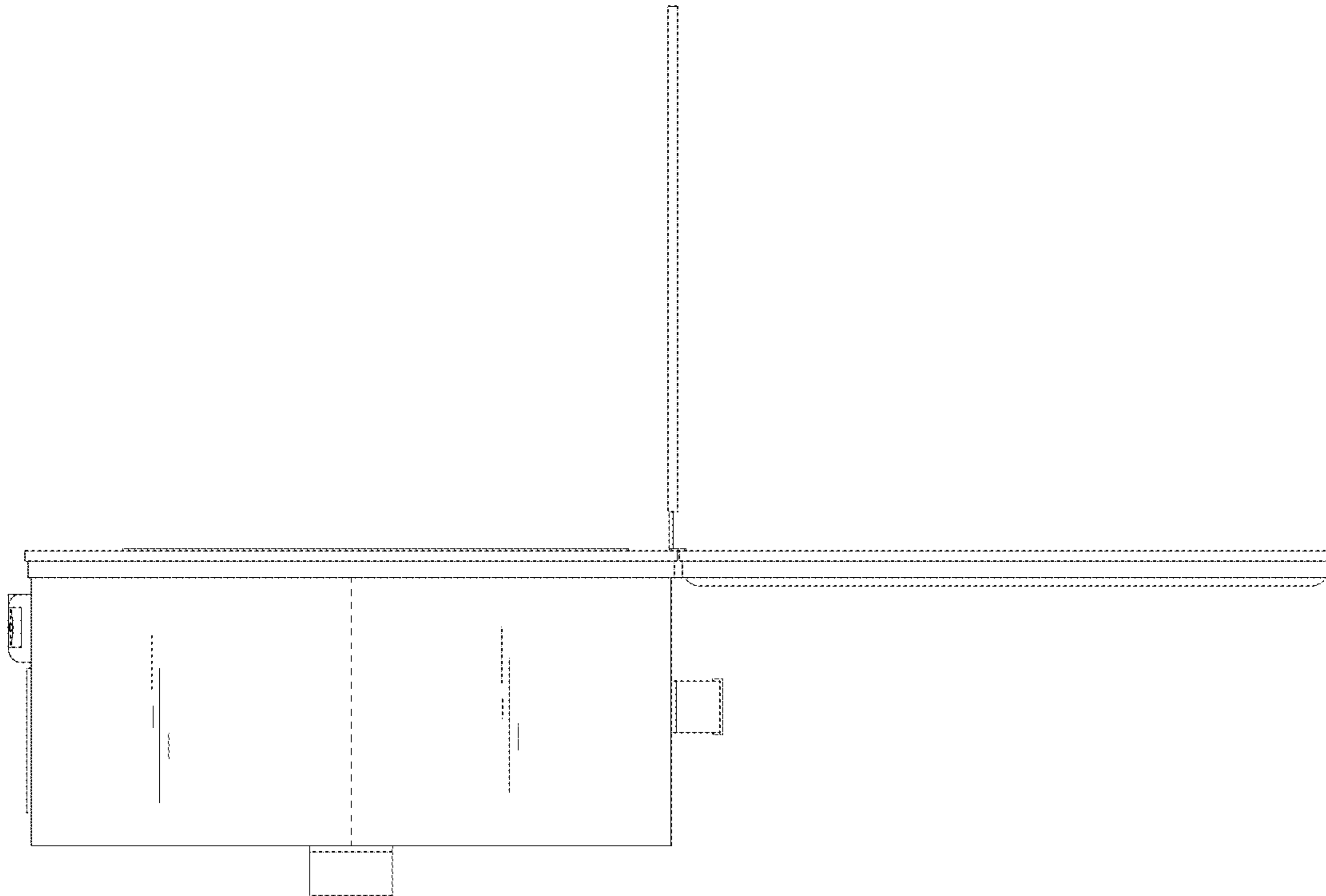


FIG. 7

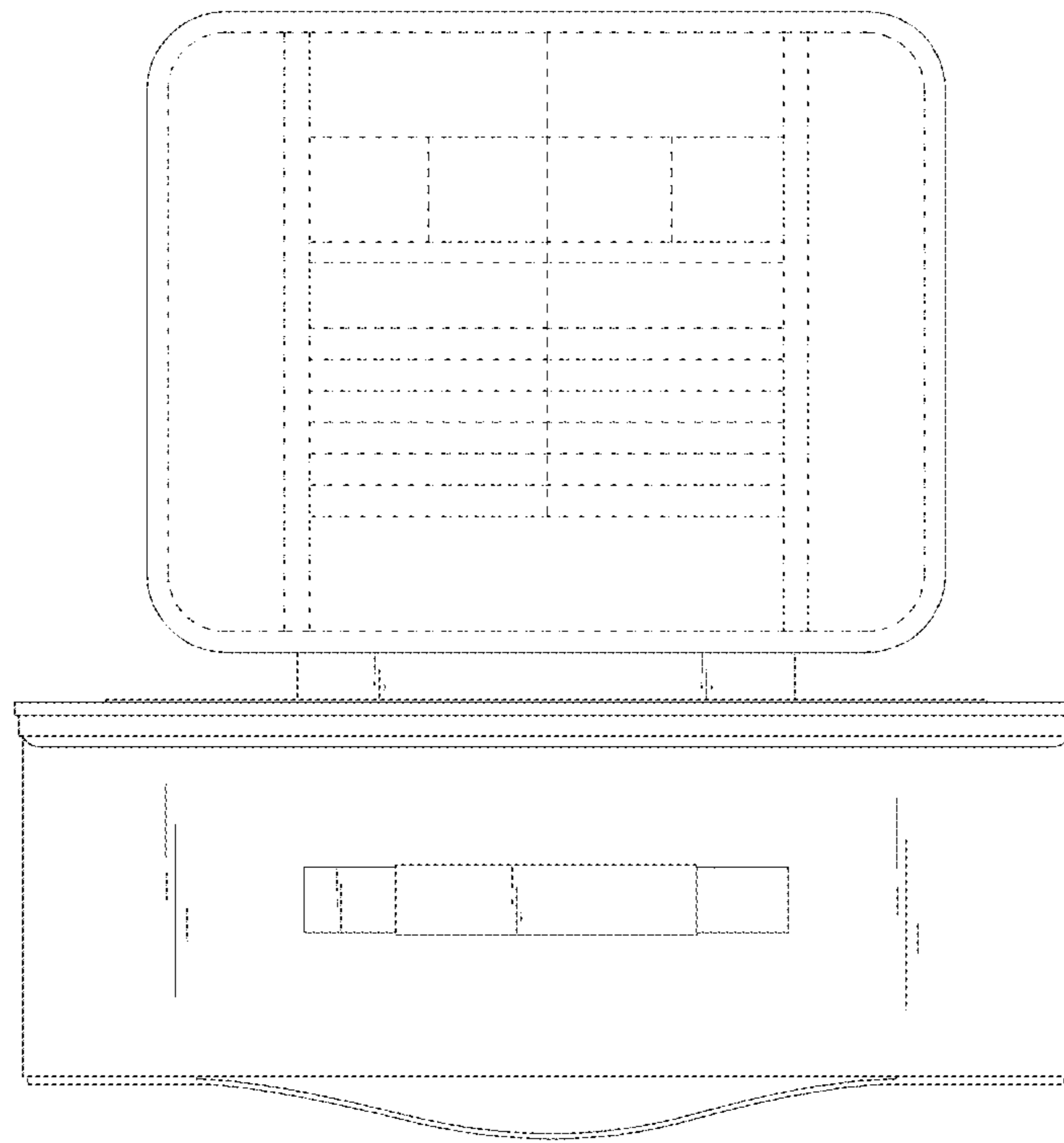


FIG. 8

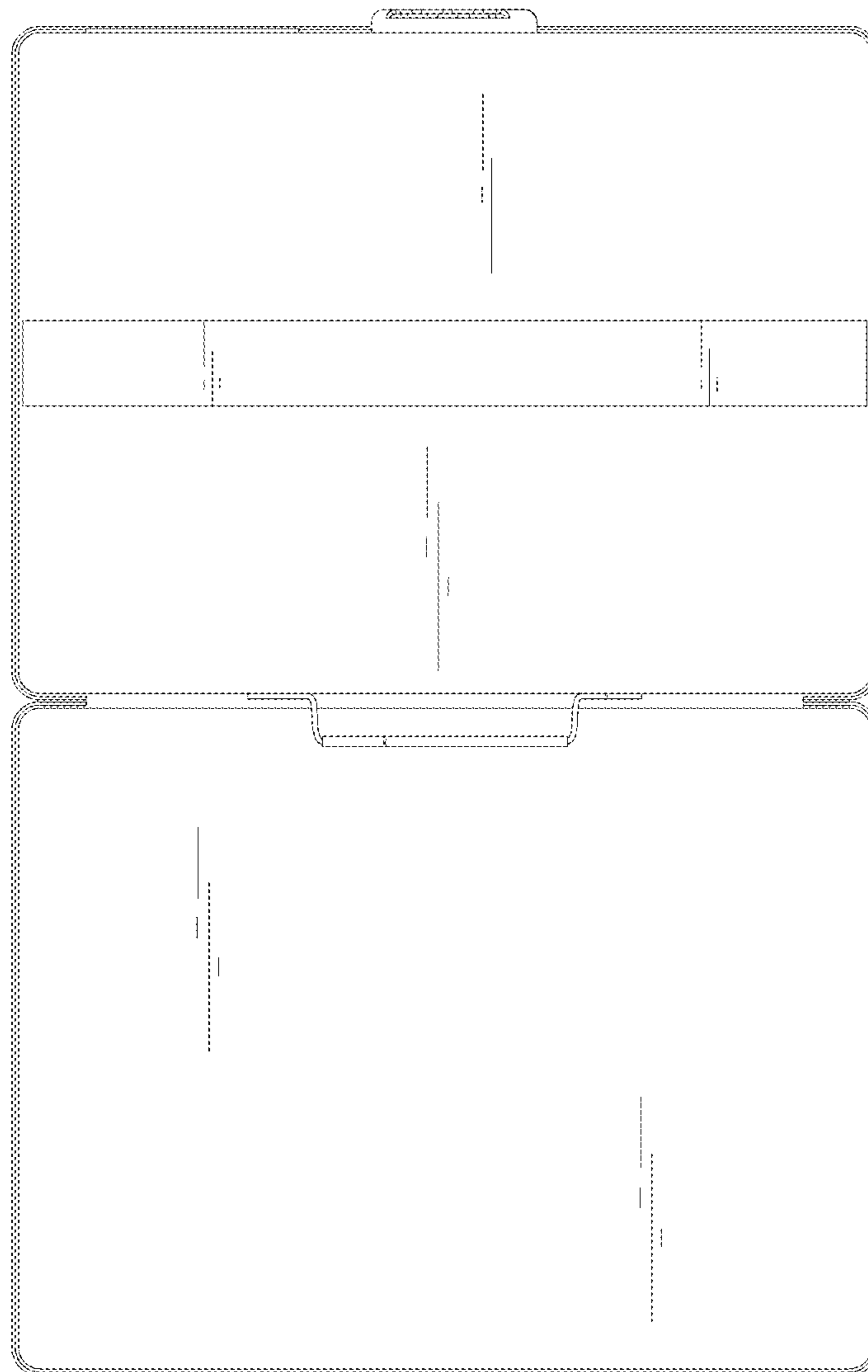


FIG. 9

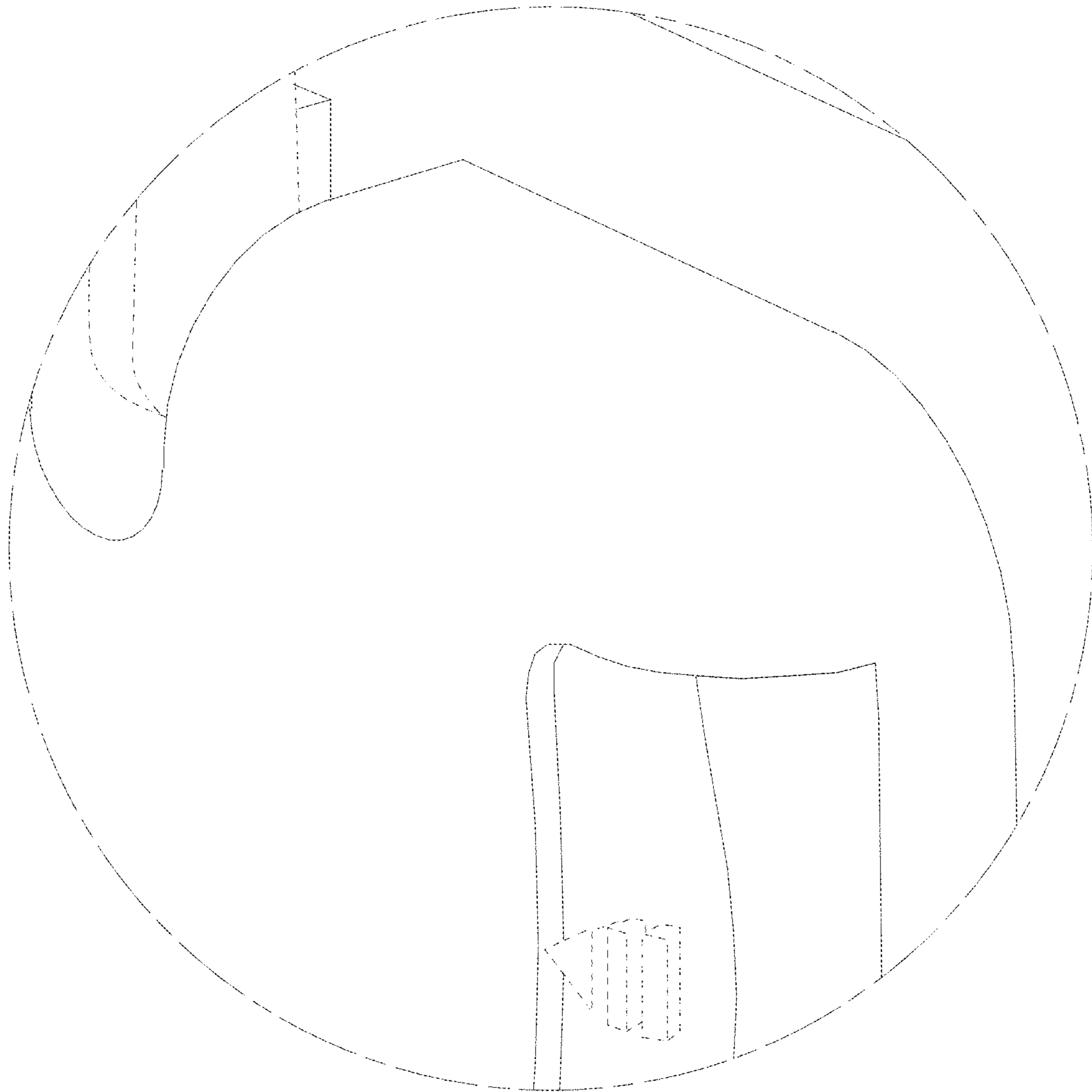


FIG. 10