



US00D973356S

(12) **United States Design Patent** (10) **Patent No.:** **US D973,356 S**  
**Michino** (45) **Date of Patent:** **\*\* Dec. 27, 2022**

(54) **BRIEFCASE**

(71) Applicant: **CARTIER INTERNATIONAL AG,**  
Steinhausen (CH)

(72) Inventor: **Yasuhiro Michino,** Paris (FR)

(\*\*) Term: **15 Years**

(21) Appl. No.: **35/512,668**

(22) Filed: **Apr. 1, 2021**

(80) **Hague Agreement Data**

Int. Filing Date: **Apr. 1, 2021**  
 Int. Reg. No.: **DM/213543**  
 Int. Reg. Date: **Apr. 1, 2021**  
 Int. Reg. Pub. Date: **Oct. 1, 2021**

(51) **LOC (13) Cl.** ..... **03-01**

(52) **U.S. Cl.**  
USPC ..... **D3/246; D3/289; D3/900**

(58) **Field of Classification Search**  
 USPC ..... D3/231, 245, 246, 273, 283, 284, 285,  
 D3/287, 289, 901, 900, 902, 903, 904,  
 D3/270, 271.1, 237  
 CPC ..... A45C 1/02; A45C 2011/003; A45C 3/06;  
 A45C 15/00  
 See application file for complete search history.

(56) **References Cited**

**U.S. PATENT DOCUMENTS**

D459,076 S \* 6/2002 Chapelier ..... D3/276  
 D683,958 S \* 6/2013 Guyon ..... D3/245  
 D697,713 S \* 1/2014 Sassi ..... D3/246  
 D735,474 S \* 8/2015 Della Valle ..... D3/245

D813,539 S \* 3/2018 Van Assche ..... D3/289  
 D820,592 S \* 6/2018 Greenfeld ..... D3/245  
 D840,675 S \* 2/2019 Peris ..... D3/285  
 D906,668 S \* 1/2021 Abel ..... D3/246  
 D944,526 S \* 3/2022 Colin ..... D3/318

**OTHER PUBLICATIONS**

Cartier, "Small Document Holder, Must De Cartier", Accessed Aug. 24, 2022. Cached on Sep. 26, 2021. (<https://www.cartier.com/en-us/art-of-living/bags/bags-for-him/small-document-holder-must-de-cartier-CRL1002395.html>) (Year: 2021).\*

Vivian Westwood, "Kent Slim Document Case Black", Accessed Aug. 24, 2022. (<https://www.viviennewestwood.com/en/men/bags/pouches-and-document-cases/kent-slim-document-case-black-black-4404000340531N402.html>) (Year: 2022).\*

\* cited by examiner

*Primary Examiner* — April Rivas

(57) **CLAIM**

The ornamental design for a briefcase, as shown and described.

**DESCRIPTION**

- 1. Briefcase
- 1.1 : Perspective
- 1.2 : Front
- 1.3 : Back
- 1.4 : Right
- 1.5 : Left
- 1.6 : Top
- 1.7 : Bottom

In the figures the dashed lines represent seams.

**1 Claim, 7 Drawing Sheets**



1.1



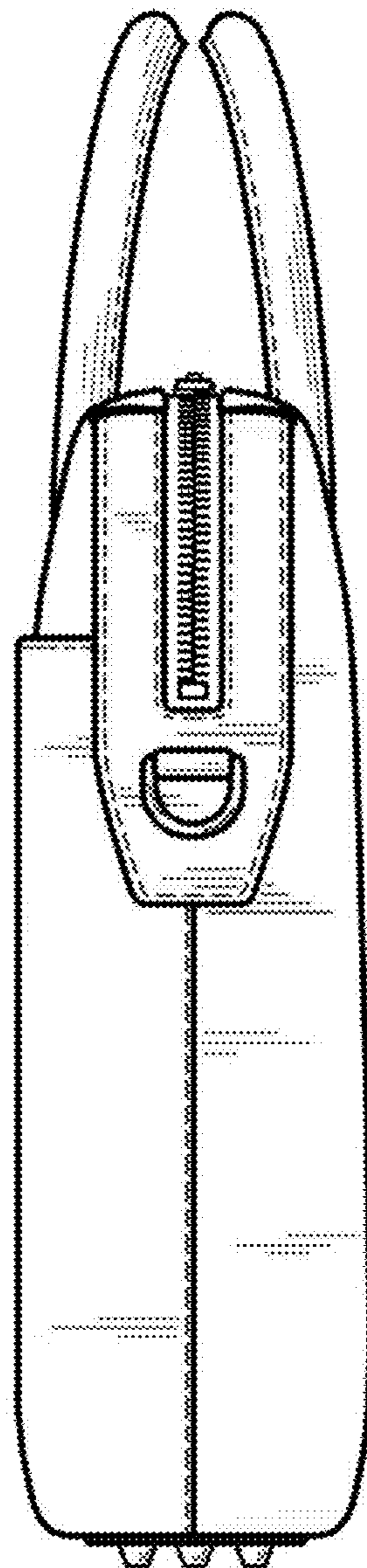
1.2



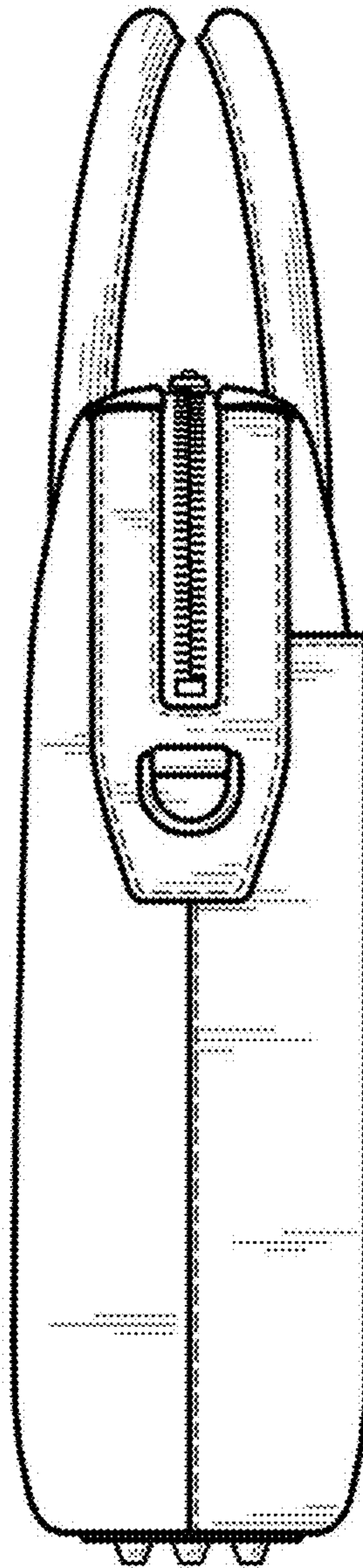
1.3



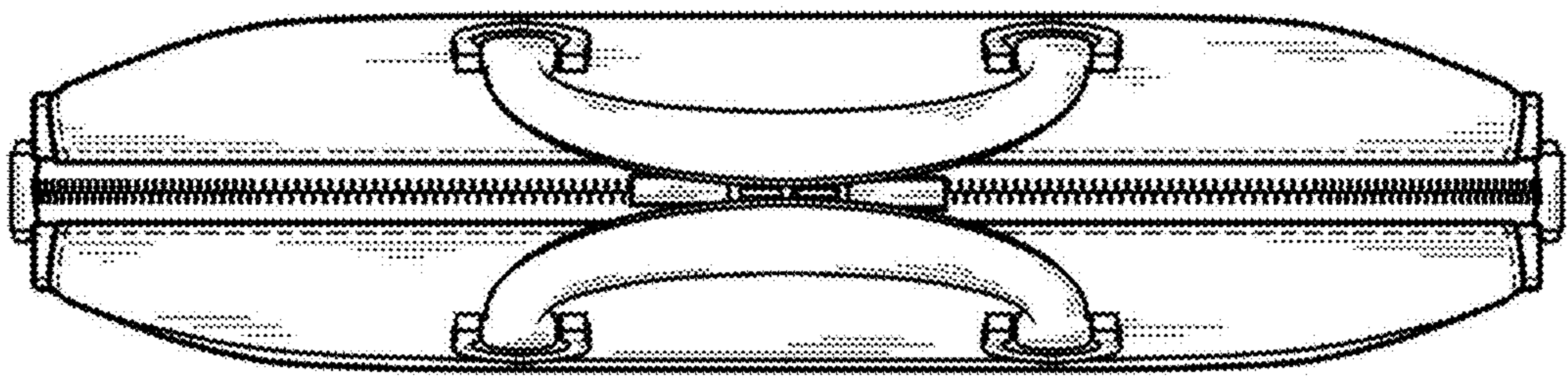
1.4



1.5



1.6



1.7

