



US00D973354S

(12) **United States Design Patent** (10) **Patent No.:** **US D973,354 S**
Su (45) **Date of Patent:** **** Dec. 27, 2022**

(54) **TOTE BAG**

(71) Applicant: **QINGDAO ENCHUANG INTELLIGENT PACKAGING TECHNOLOGY CO., LTD.**, Qingdao (CN)

(72) Inventor: **Zhongxin Su**, Qingdao (CN)

(73) Assignee: **QINGDAO ENCHUANG INTELLIGENT PACKAGING TECHNOLOGY CO., LTD.**, Qingdao (CN)

(**) Term: **15 Years**

(21) Appl. No.: **29/778,531**

(22) Filed: **Apr. 13, 2021**

(30) **Foreign Application Priority Data**

Mar. 11, 2021 (CN) 202130131546.1
Mar. 11, 2021 (CN) 202130131548.0

(51) **LOC (13) Cl.** **03-01**

(52) **U.S. Cl.**
USPC **D3/245**

(58) **Field of Classification Search**
USPC D3/201, 217, 226, 230–233, 240–246,
D3/249–253, 285, 290, 299, 300, 303,
(Continued)

(56) **References Cited**

U.S. PATENT DOCUMENTS

D185,343 S * 6/1959 Bienen D3/246
D267,052 S * 11/1982 Rapoport D3/290
(Continued)

FOREIGN PATENT DOCUMENTS

CN 307398735 * 6/2022
CN 307546714 * 9/2022

OTHER PUBLICATIONS

Tan leather satchel, posted at baginning.com, first available Jul. 15, 2019, retrieved on Oct. 18, 2022, online, <https://baginning.com/p/tan-leather-satchel-bag-flap-top-handle-shoulder-bags-for-work.html> (Year: 2019).*

(Continued)

Primary Examiner — Mary Shannon Malley
Assistant Examiner — Dustin Andrew Griffith

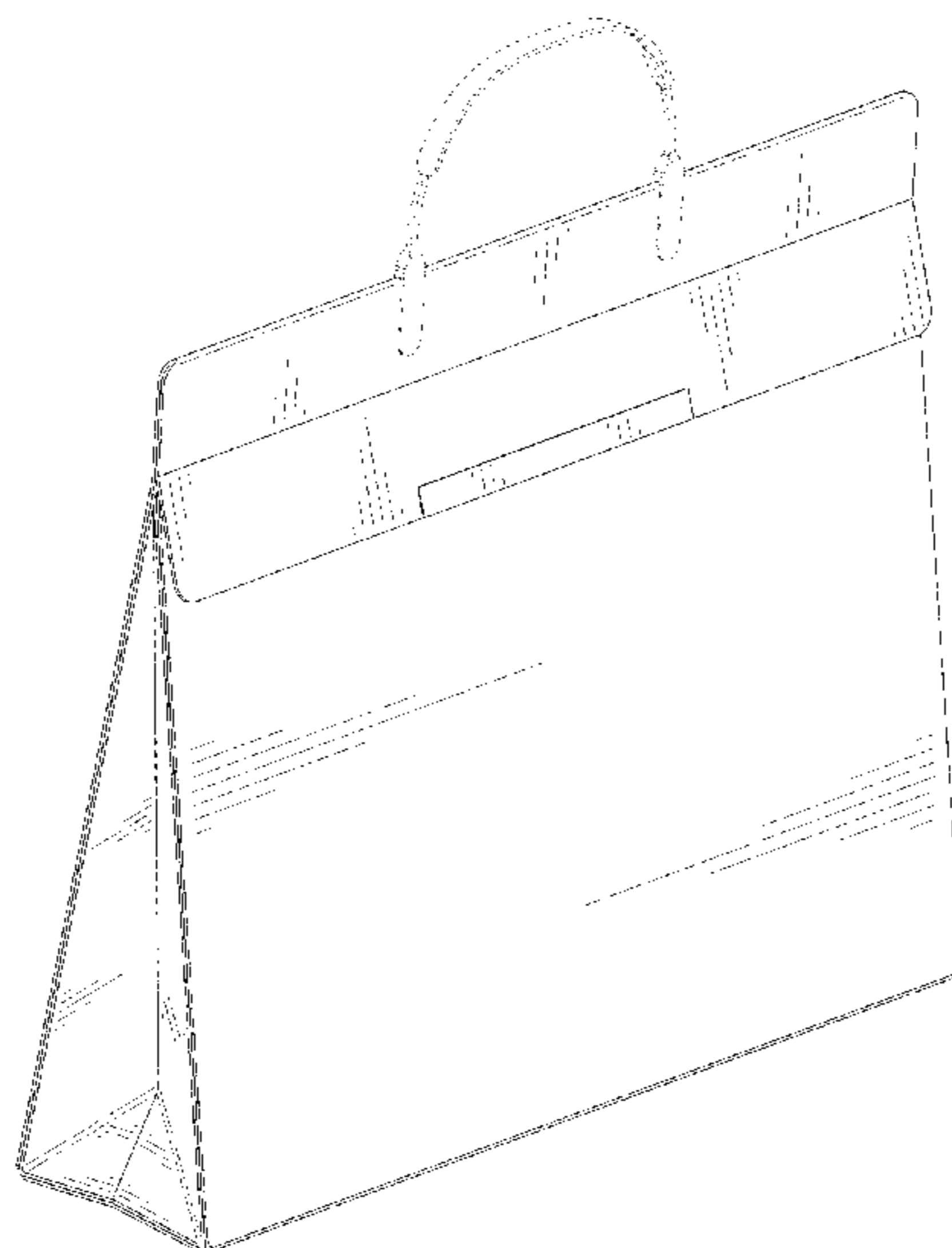
(57) **CLAIM**

The ornamental design for a tote bag, as shown and described.

DESCRIPTION

FIG. 1 is a perspective view of a first embodiment of a tote bag showing my new design;
FIG. 2 is another perspective view thereof;
FIG. 3 is a front elevational view thereof;
FIG. 4 is a rear elevational view thereof;
FIG. 5 is a left side elevational view thereof;
FIG. 6 is a right side elevational view thereof;
FIG. 7 is a top plan view thereof;
FIG. 8 is a bottom plan view thereof;
FIG. 9 is a perspective view of a second embodiment of the tote bag showing my new design;
FIG. 10 is another perspective view thereof;
FIG. 11 is a front elevational view thereof;
FIG. 12 is a rear elevational view thereof;
FIG. 13 is a left side elevational view thereof;
FIG. 14 is a right side elevational view thereof;
FIG. 15 is a top plan view thereof; and,
FIG. 16 is a bottom plan view thereof.
The broken lines in the drawings depict portions of the tote bag that form no part of the claimed design.

1 Claim, 16 Drawing Sheets



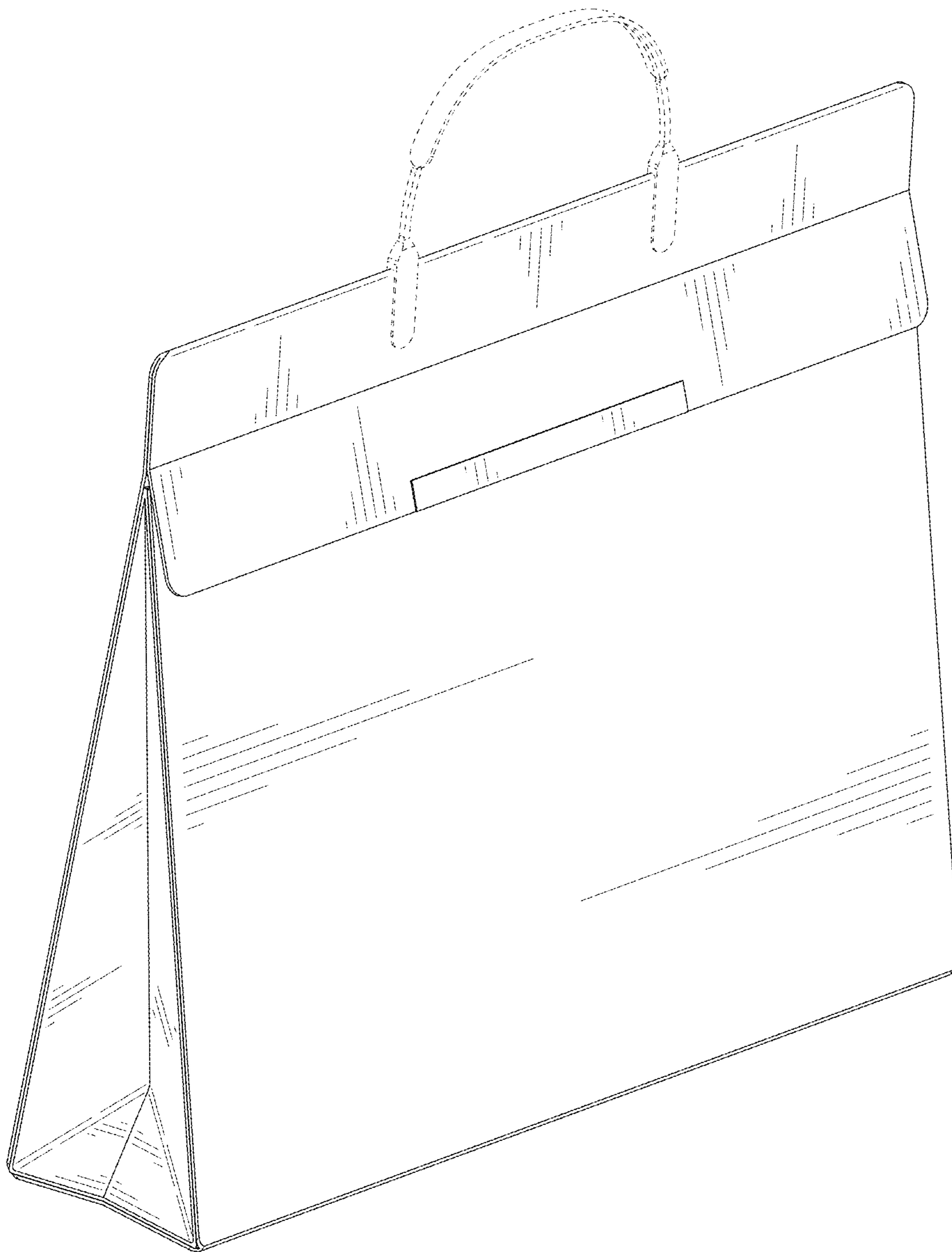


FIG. 1

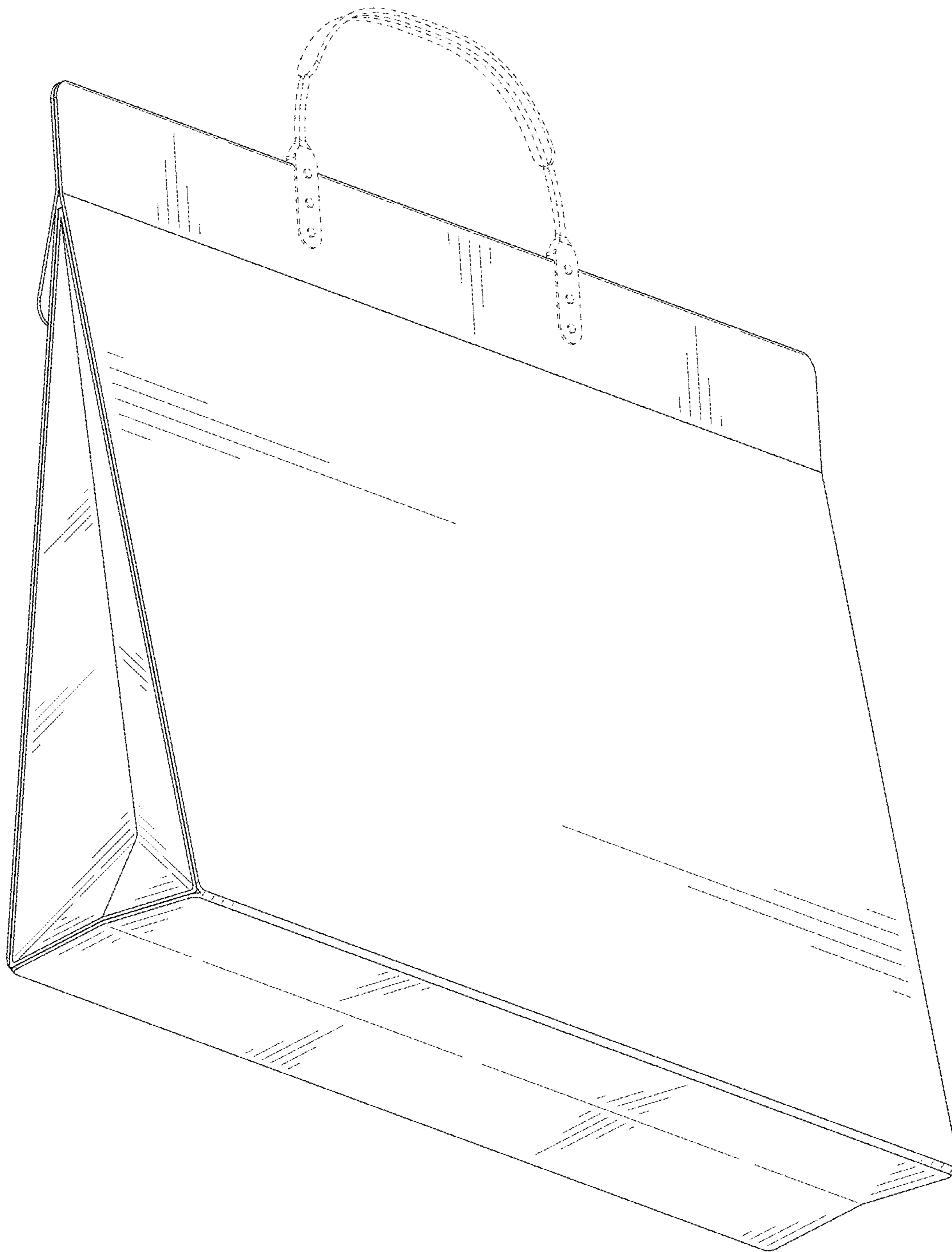


FIG. 2

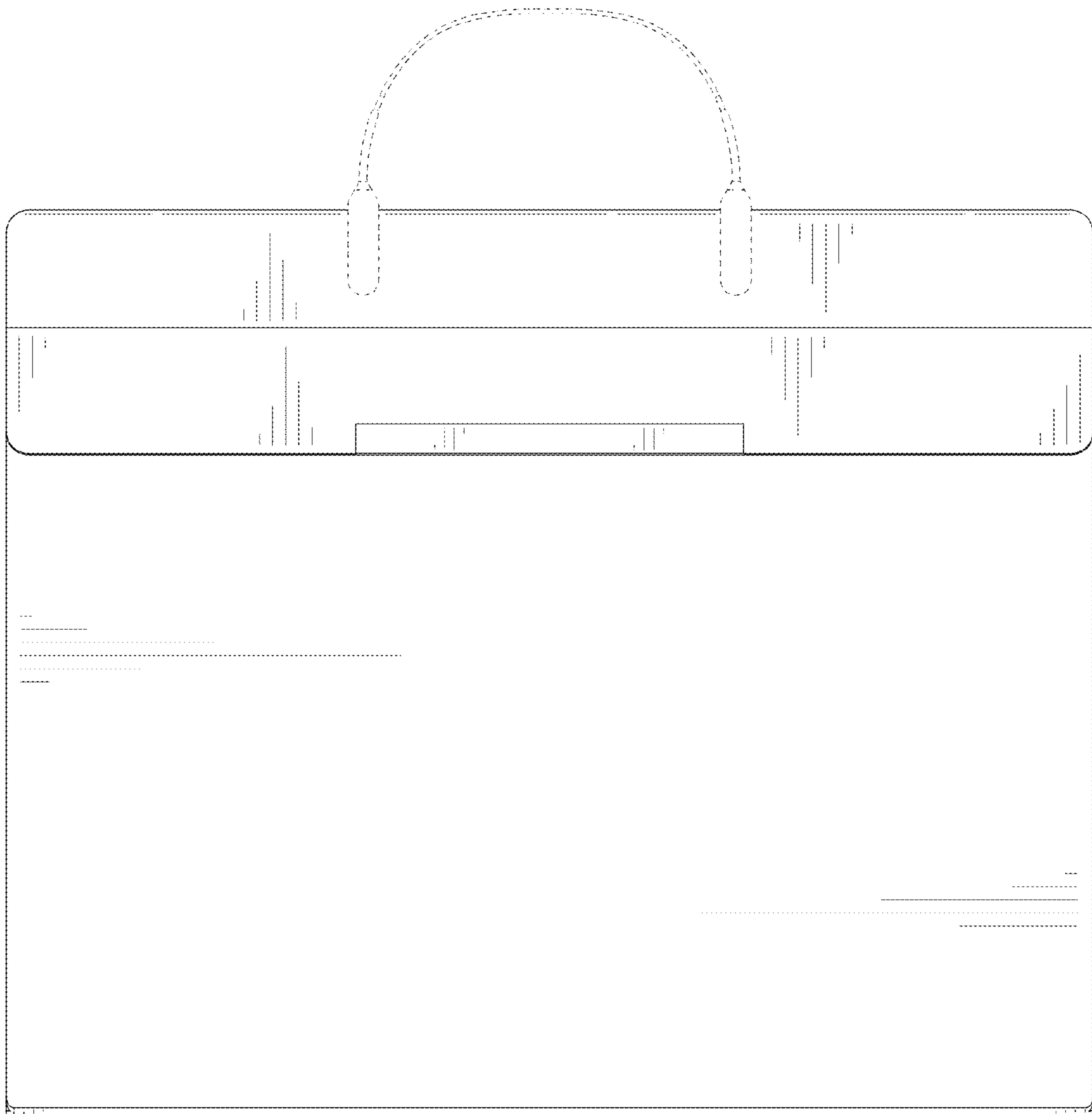


FIG. 3

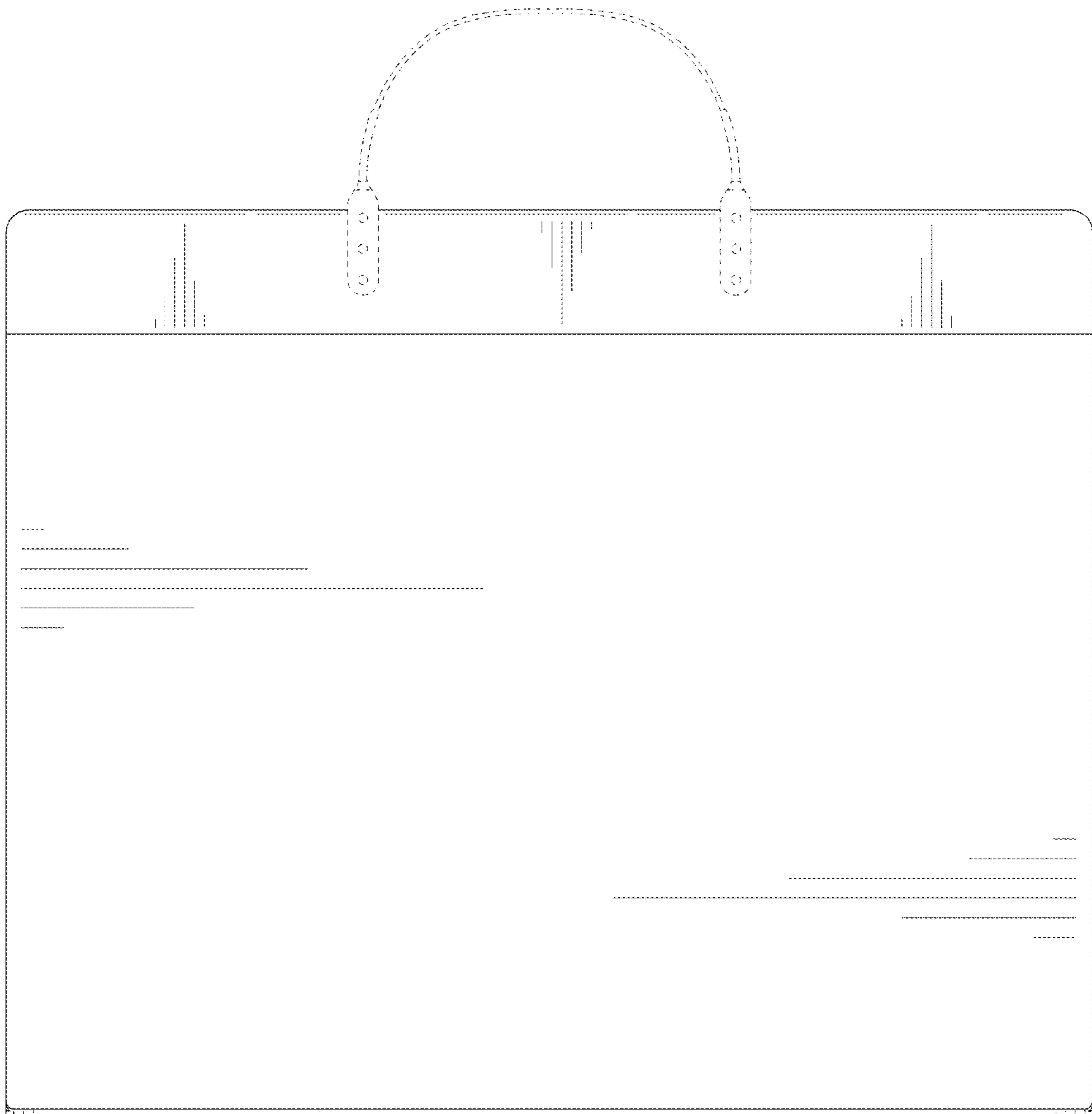


FIG. 4

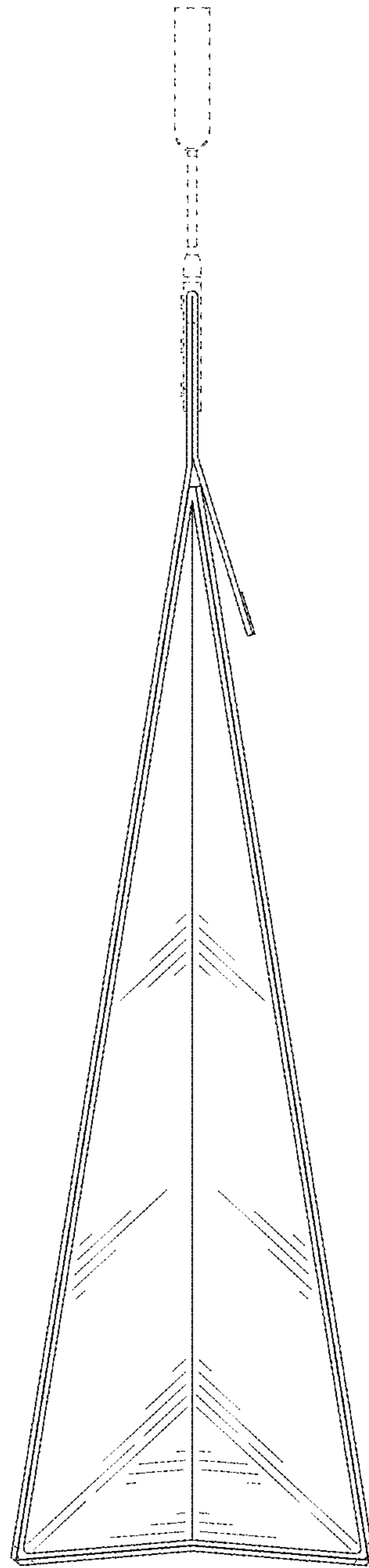


FIG. 5

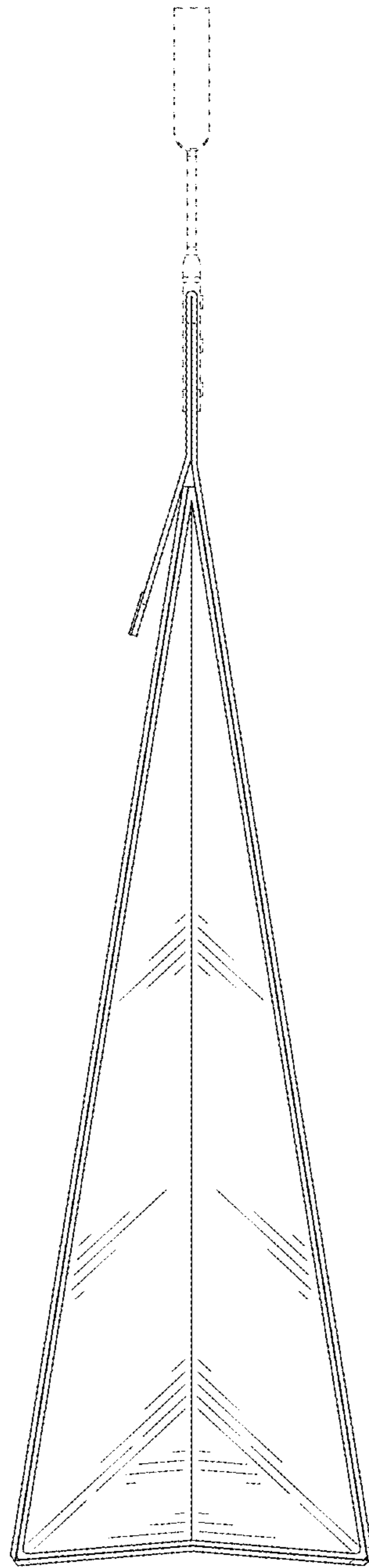


FIG. 6

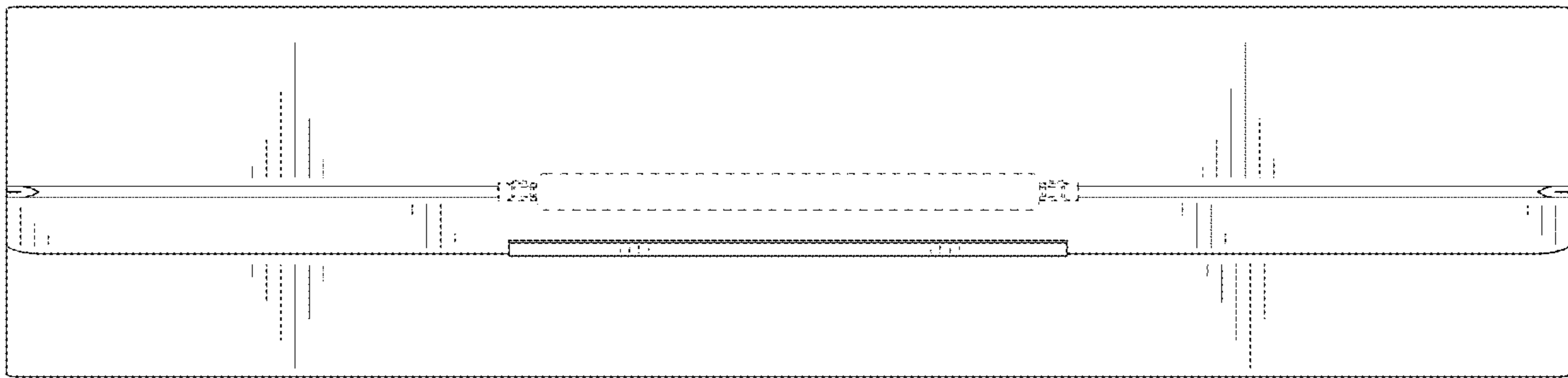


FIG. 7

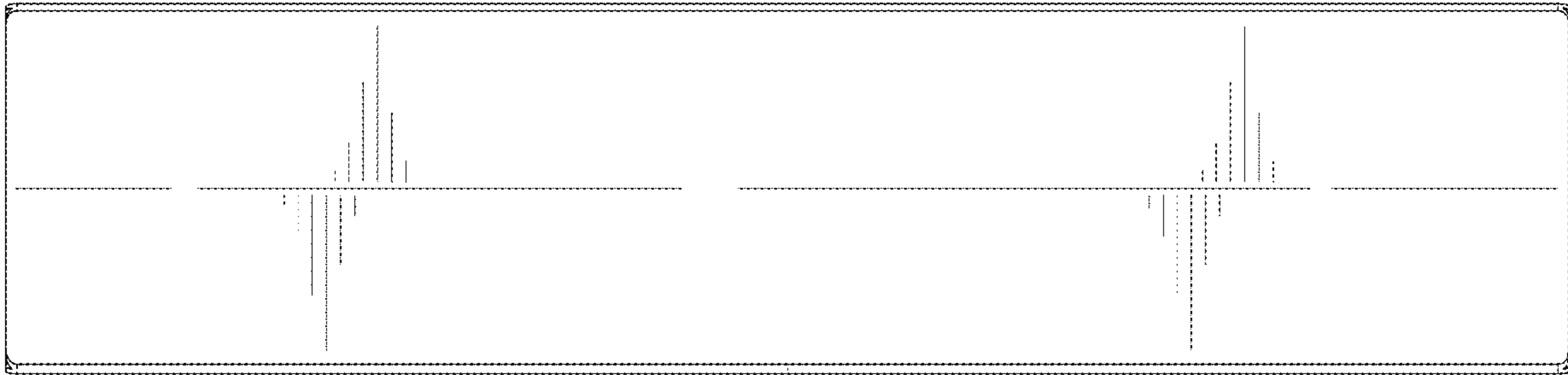


FIG. 8

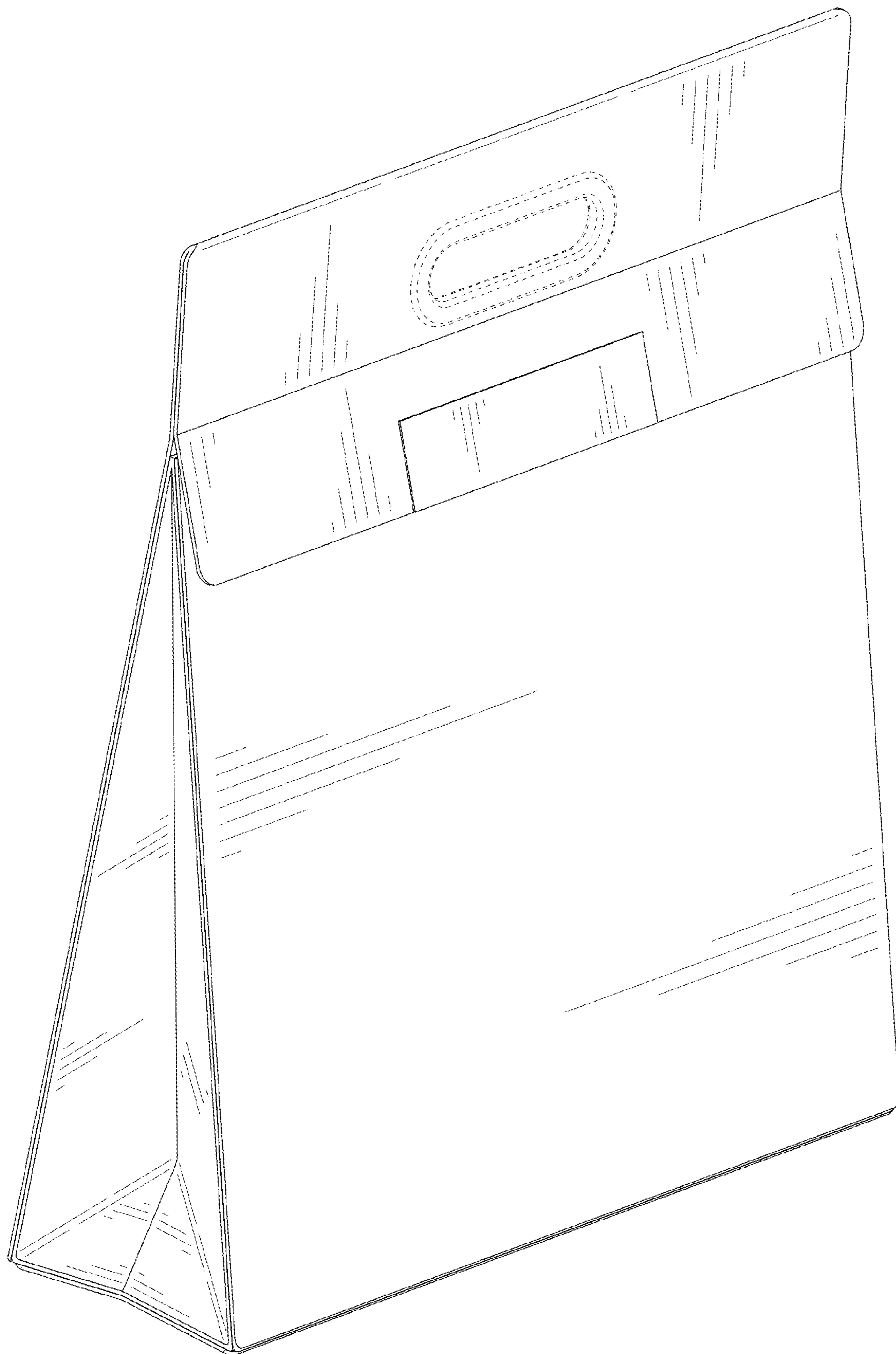


FIG. 9

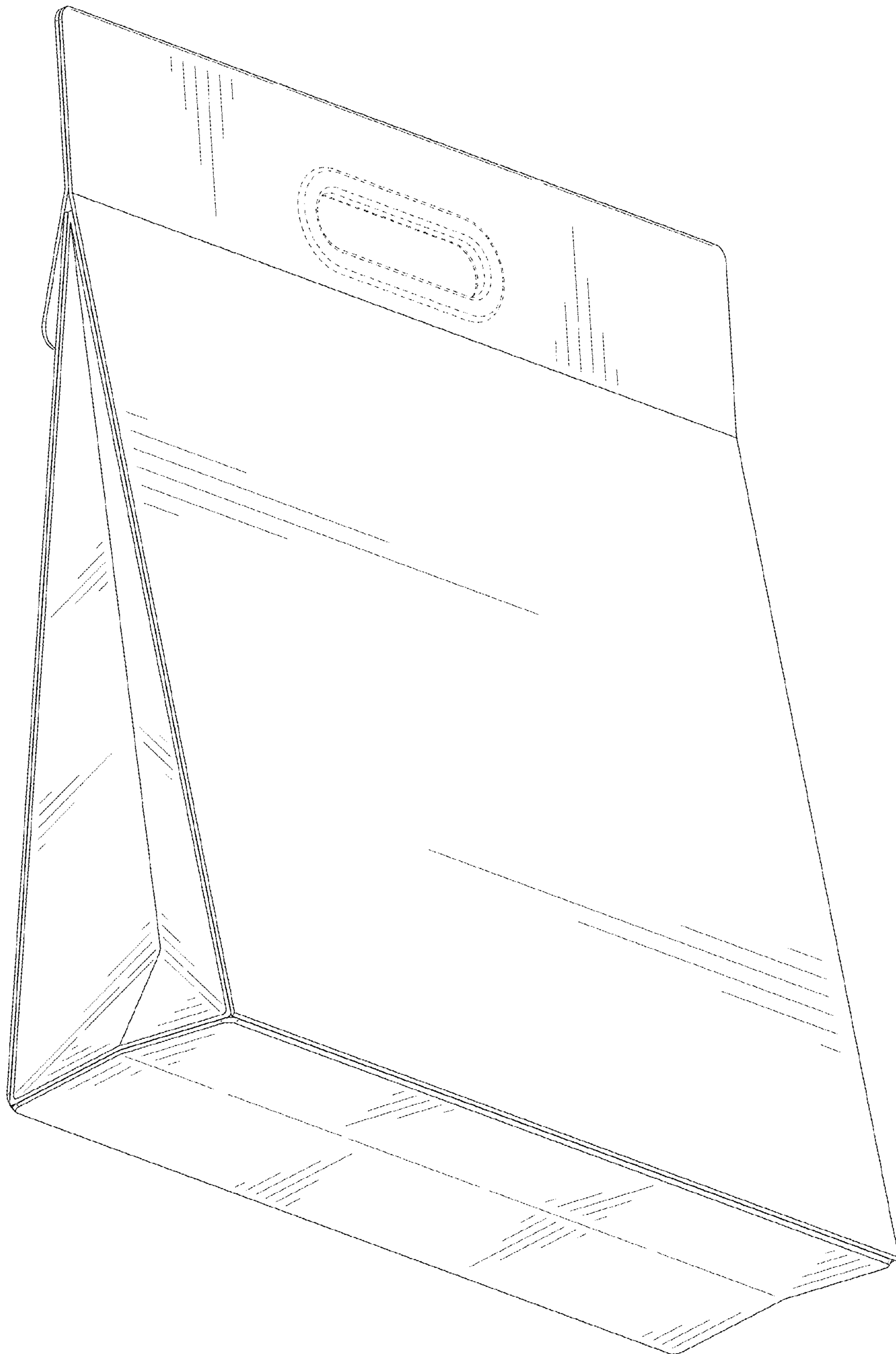


FIG. 10

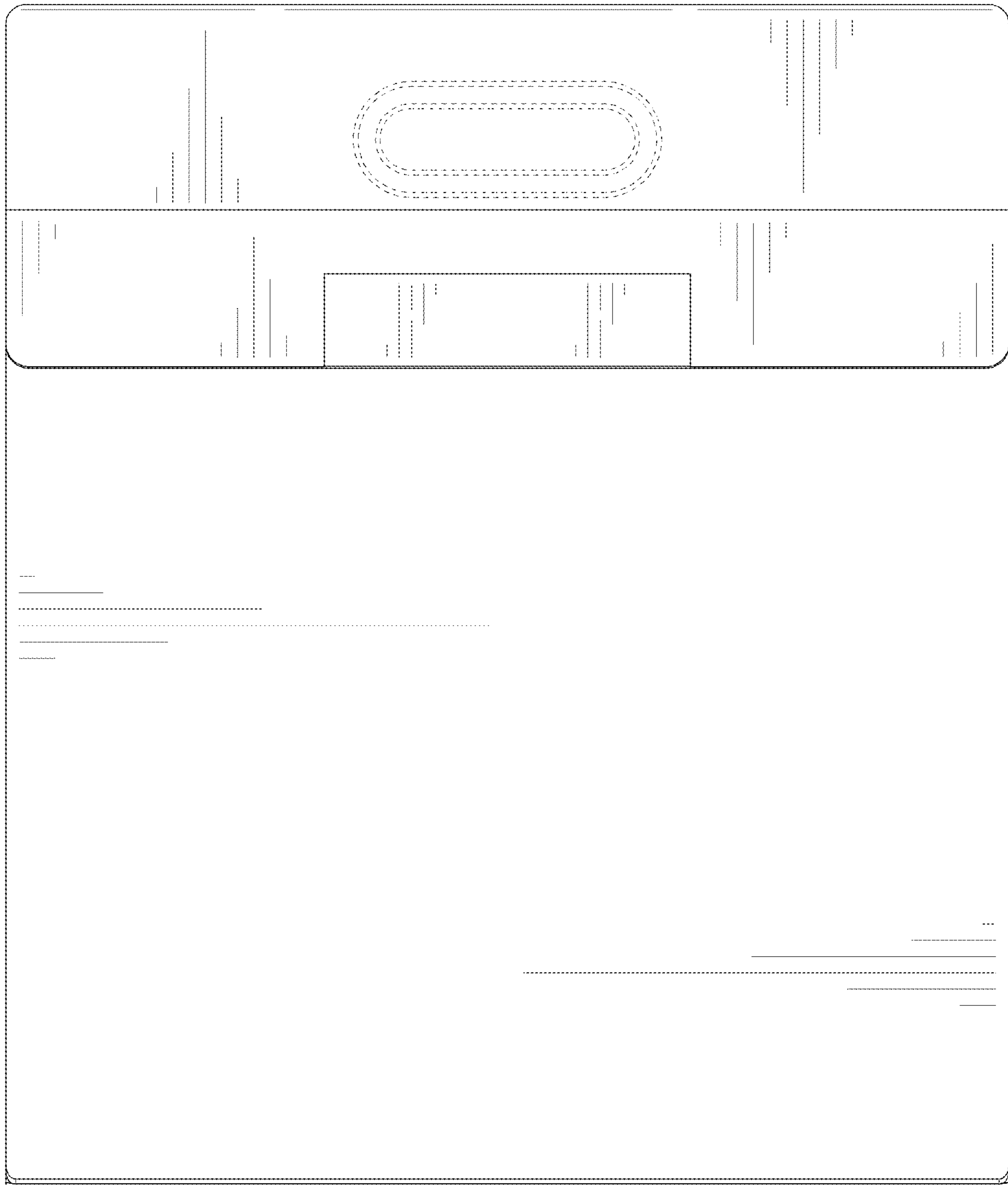


FIG. 11

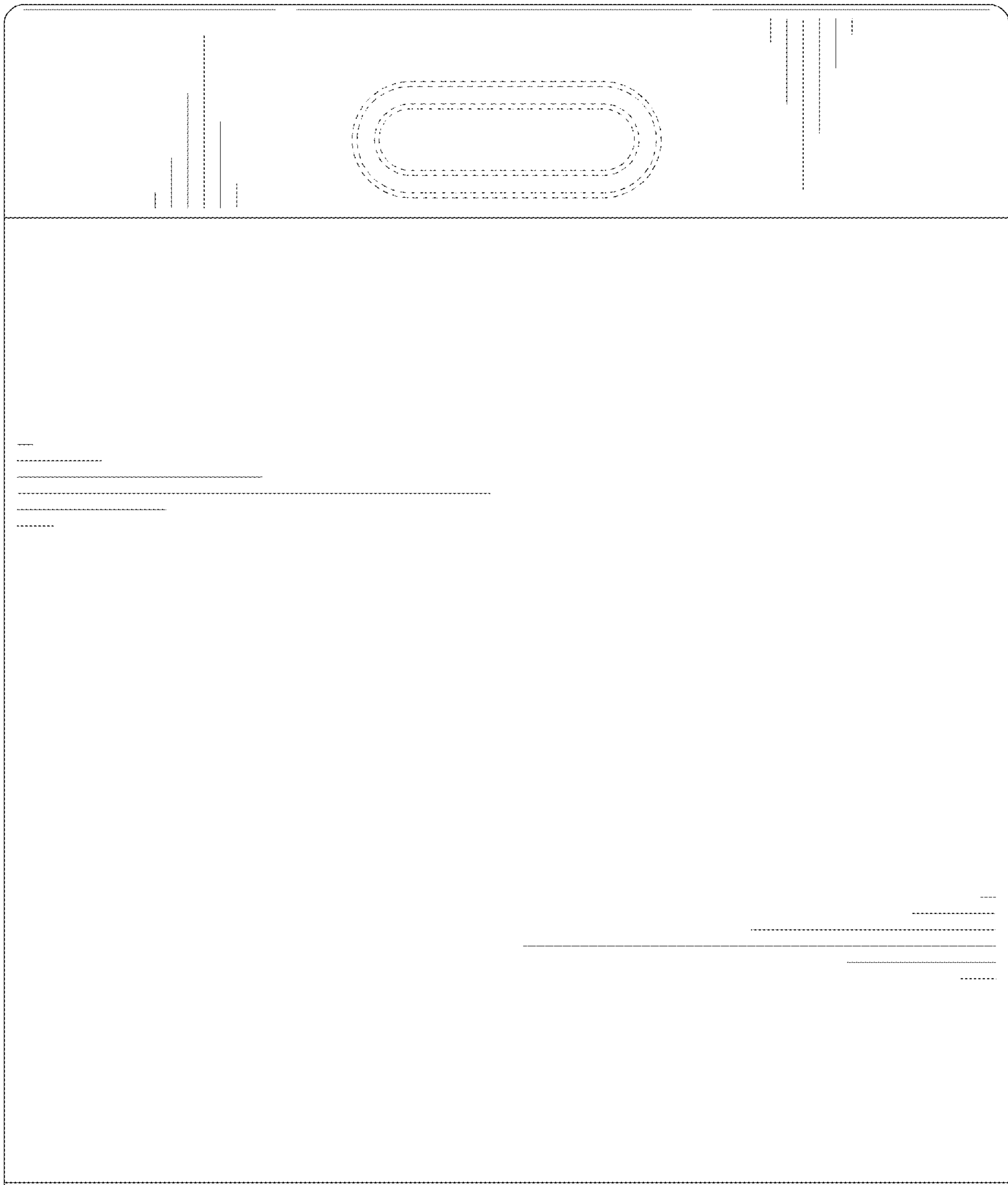


FIG. 12

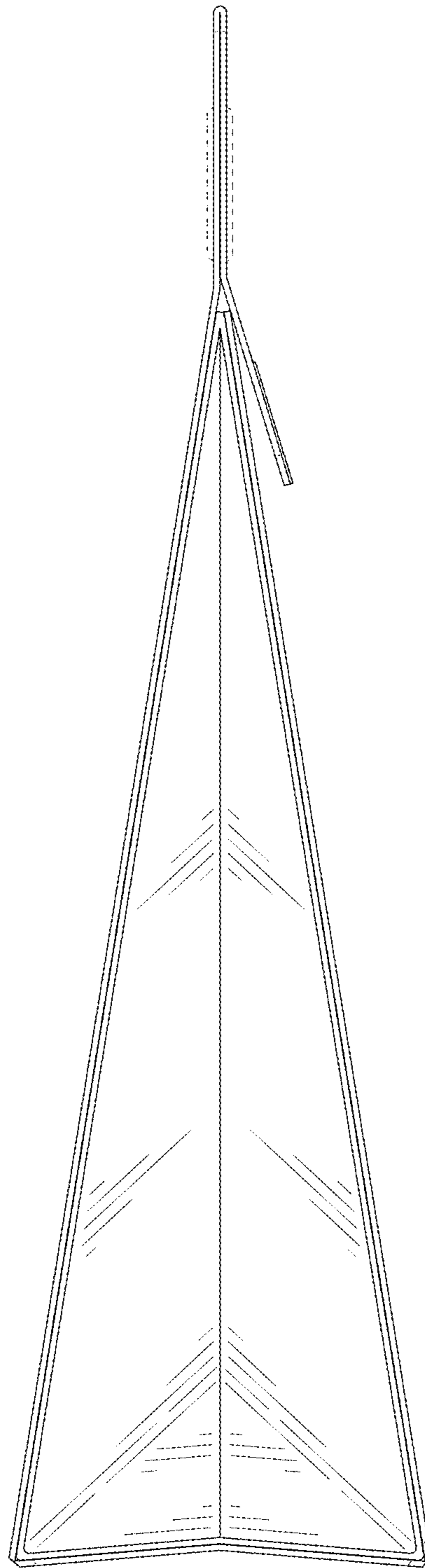


FIG. 13

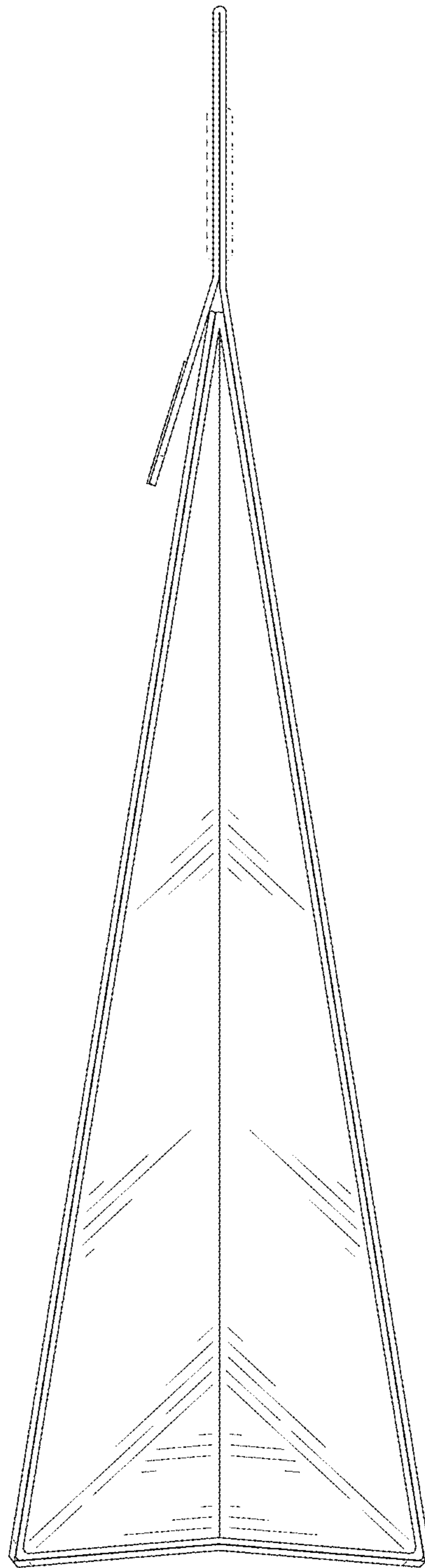


FIG. 14

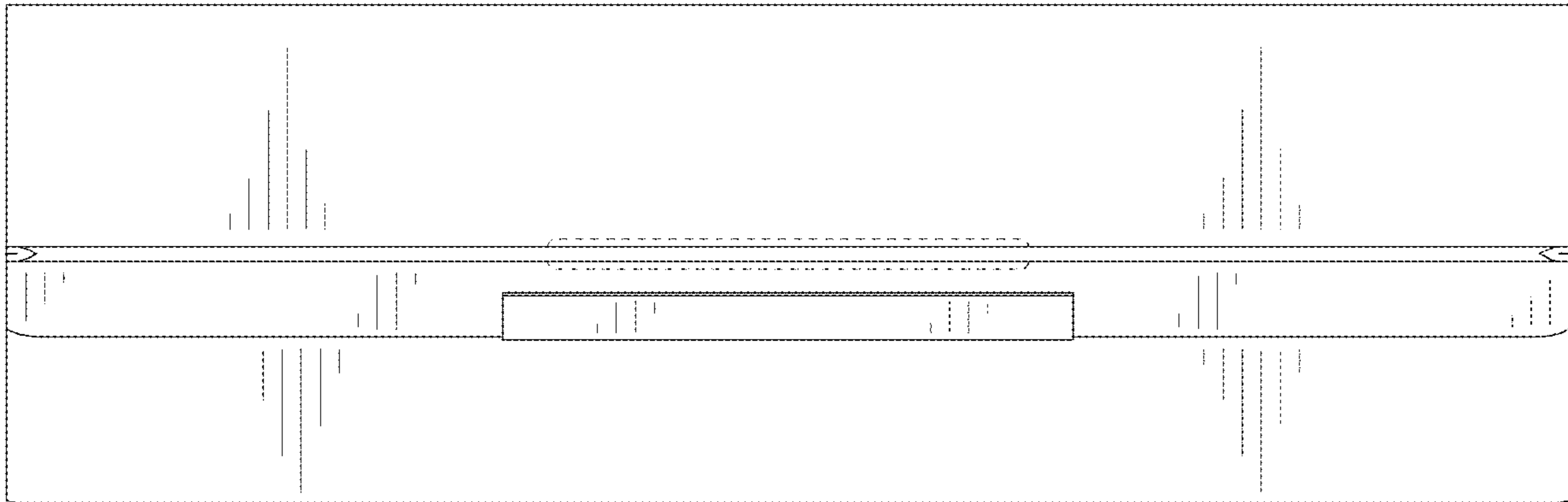


FIG. 15



FIG. 16