



US00D973349S

(12) **United States Design Patent**  
**Chen**

(10) **Patent No.:** **US D973,349 S**

(45) **Date of Patent:** **\*\* Dec. 27, 2022**

(54) **BABY SEAT WITH BAG**

(71) Applicant: **Xiamen Jinweidu Leisure Products Co., Ltd.**, Fujian (CN)

(72) Inventor: **Jianhua Chen**, Xiamen (CN)

(73) Assignee: **Xiamen Jinweidu Leisure Products Co., Ltd.**, Fujian (CN)

(\*\*) Term: **15 Years**

(21) Appl. No.: **29/798,305**

(22) Filed: **Jul. 7, 2021**

(51) **LOC (13) Cl.** ..... **03-01**

(52) **U.S. Cl.**  
USPC ..... **D3/217; D3/213**

(58) **Field of Classification Search**  
USPC ..... D3/213, 214, 215, 216, 205, 217, 233,  
D3/283; D7/719; D6/333  
CPC ..... A47D 13/025; A47D 13/02; A61G 1/00  
See application file for complete search history.

(56) **References Cited**

**U.S. PATENT DOCUMENTS**

|           |      |        |            |       |             |
|-----------|------|--------|------------|-------|-------------|
| 5,016,792 | A *  | 5/1991 | Jay        | ..... | A45F 4/02   |
|           |      |        |            |       | 224/155     |
| D323,426  | S *  | 1/1992 | Mahvi      | ..... | D3/217      |
| 5,649,658 | A *  | 7/1997 | Hoffman    | ..... | A47D 5/006  |
|           |      |        |            |       | 5/655       |
| 6,390,345 | B1 * | 5/2002 | Brown      | ..... | A45C 3/00   |
|           |      |        |            |       | 190/110     |
| D485,432  | S *  | 1/2004 | Desrochers | ..... | D3/217      |
| 8,182,030 | B1 * | 5/2012 | Britten    | ..... | A47D 13/025 |
|           |      |        |            |       | 297/118     |
| D661,085  | S *  | 6/2012 | Custer     | ..... | D3/217      |
| D707,040  | S *  | 6/2014 | Pittman    | ..... | D3/205      |
| 9,439,501 | B2 * | 9/2016 | Demskey    | ..... | A45C 9/00   |

(Continued)

**FOREIGN PATENT DOCUMENTS**

CN 302718877 \* 1/2014

**OTHER PUBLICATIONS**

Amazon.co.uk, site visited Aug. 29, 2022, The Freeloader Child Carrier, first available Apr. 15, 2017, <https://www.amazon.co.uk/fL-Freeloader-Coral-Reef-Blue/dp/B06ZZY1Y7K> (Year: 2017).\*

(Continued)

*Primary Examiner* — Brett Miller

*Assistant Examiner* — Jessica M Gebhart

(74) *Attorney, Agent, or Firm* — ScienBiziP, P.C.

(57) **CLAIM**

The ornamental design for a baby seat with bag, as shown and described.

**DESCRIPTION**

FIG. 1 is a front, left, and bottom perspective view of a baby seat with bag, showing my design.

FIG. 2 is a rear, right, and top perspective view thereof.

FIG. 3 is a front elevation view thereof.

FIG. 4 is a rear elevation view thereof.

FIG. 5 is a left side elevation view thereof.

FIG. 6 is a right side elevation view thereof.

FIG. 7 is a top plan view thereof.

FIG. 8 is a bottom plan view thereof.

FIG. 9 is a partial enlarged view of an area labeled 9 in FIG. 1 comprising a zipper head.

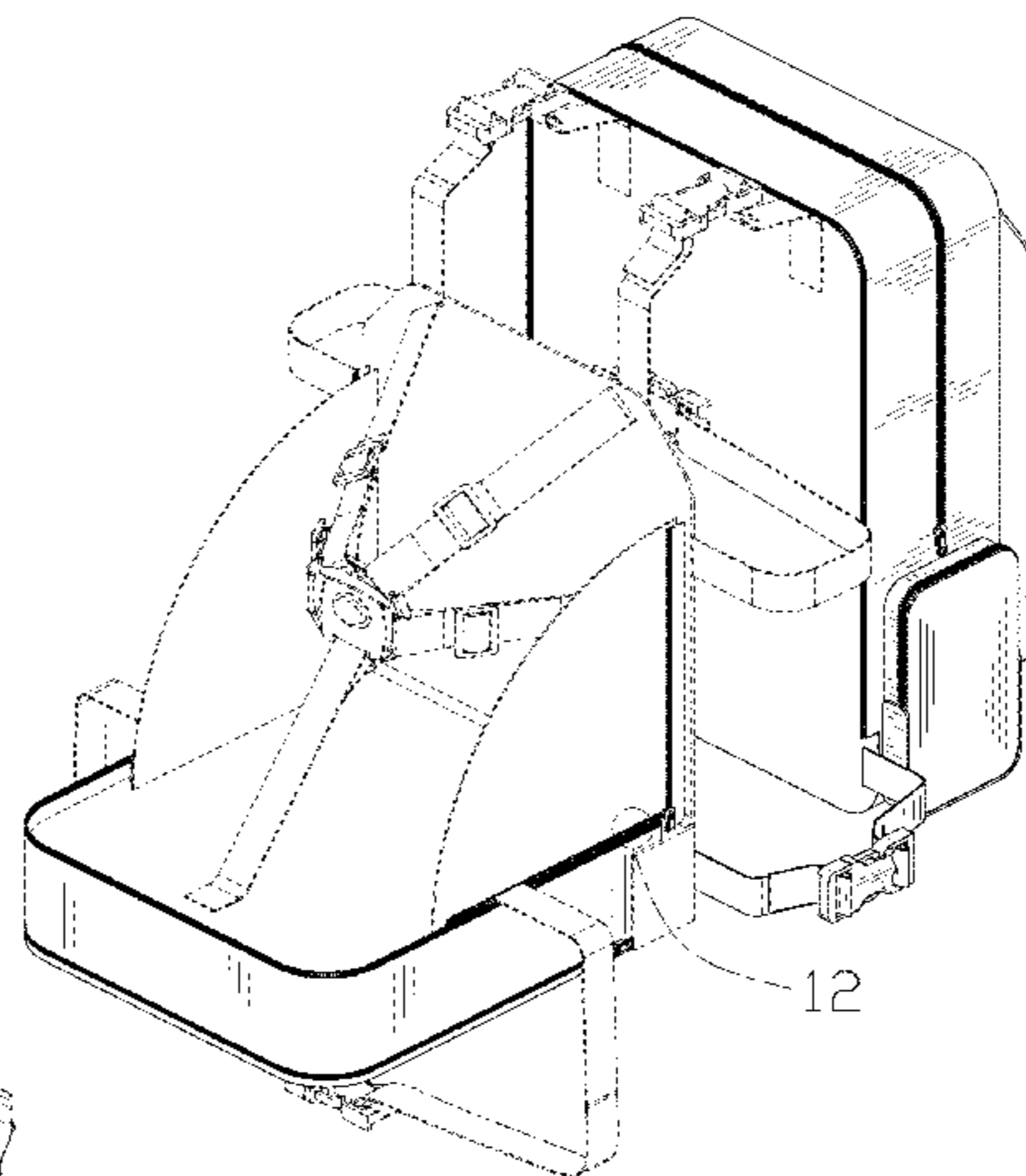
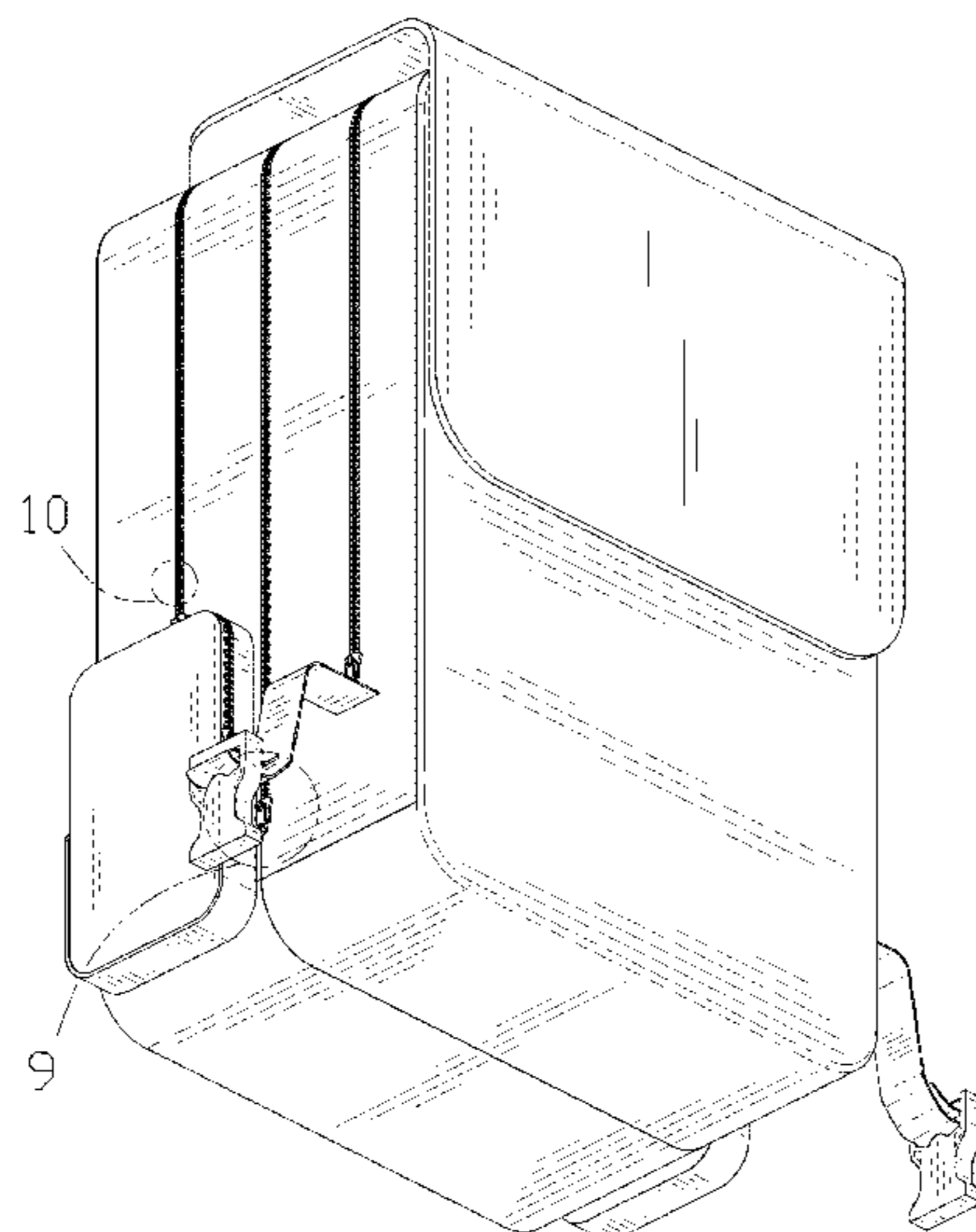
FIG. 10 is a partial enlarged view of an area labeled 10 in FIG. 1 comprising a zipper.

FIG. 11 is a perspective view of the baby seat with bag of FIG. 2 wherein the baby seat is opened from behind the bag; and,

FIG. 12 is a partial enlarged view of an area labeled 12 in FIG. 11 comprising a zipper.

The broken lines shown in the drawings are included for the purpose of illustrating portions of the baby seat with bag that form no part of the claimed design.

**1 Claim, 12 Drawing Sheets**



(56)

**References Cited**

U.S. PATENT DOCUMENTS

10,631,619 B2 \* 4/2020 Alphin ..... A47C 1/146  
2011/0304181 A1 \* 12/2011 Scott ..... A47D 15/006  
297/250.1

OTHER PUBLICATIONS

Amazon.ca, Site visited Sep. 7, 2022, Munchkin Travel Booster Seat, First available Apr. 12, 2018, <https://www.amazon.ca/Munchkin-05169601-Travel-Booster-Seat/dp/B01M6XGKV1> (Year: 2018).\*

Cozybaby.com, site visited Sep. 7, 2022, 3 in 1 Cozy Travel Booster Seat, Oldest review dated Jun. 17, 2019, <https://cozybaby.com/products/3-in-1-cozy-travel-booster-seat-backpack> (Year: 2019).\*

Amazon.ca, Site visited Sep. 7, 2022, Nuby Easy Go Safety Booster Seat, First available Dec. 18, 2019, <https://www.amazon.ca/dp/B082TJKRCV> (Year: 2019).\*

\* cited by examiner

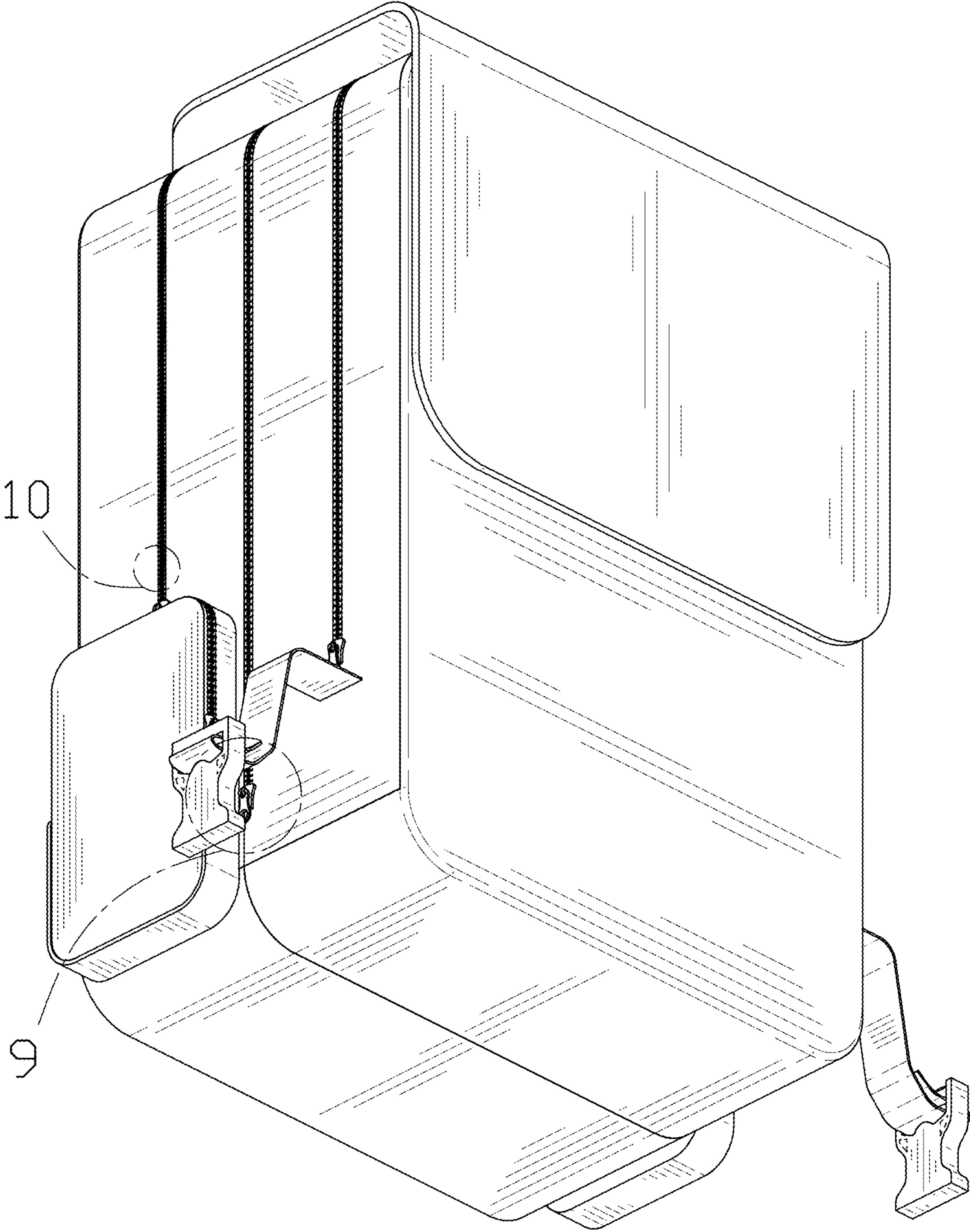


FIG. 1

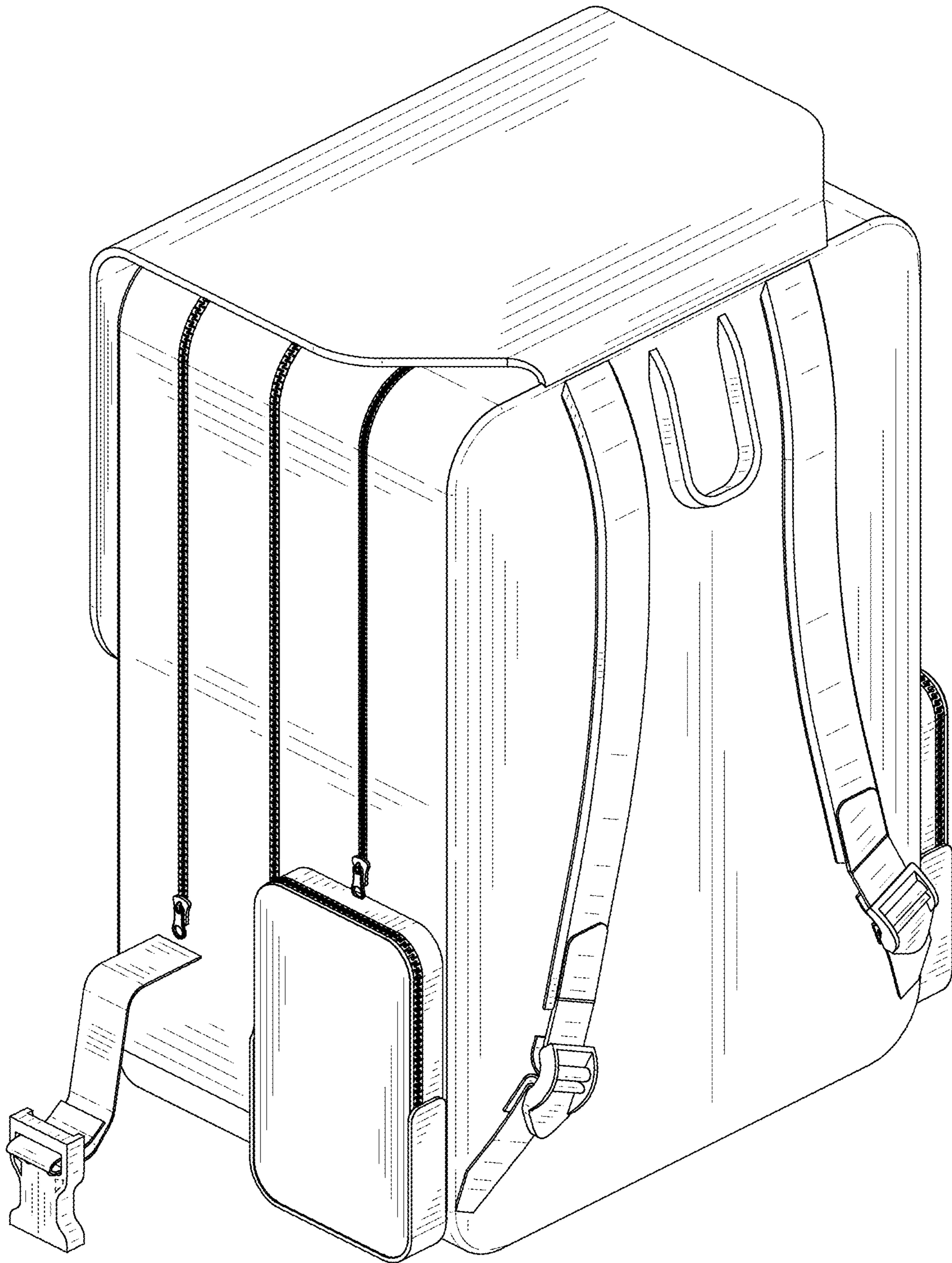


FIG. 2

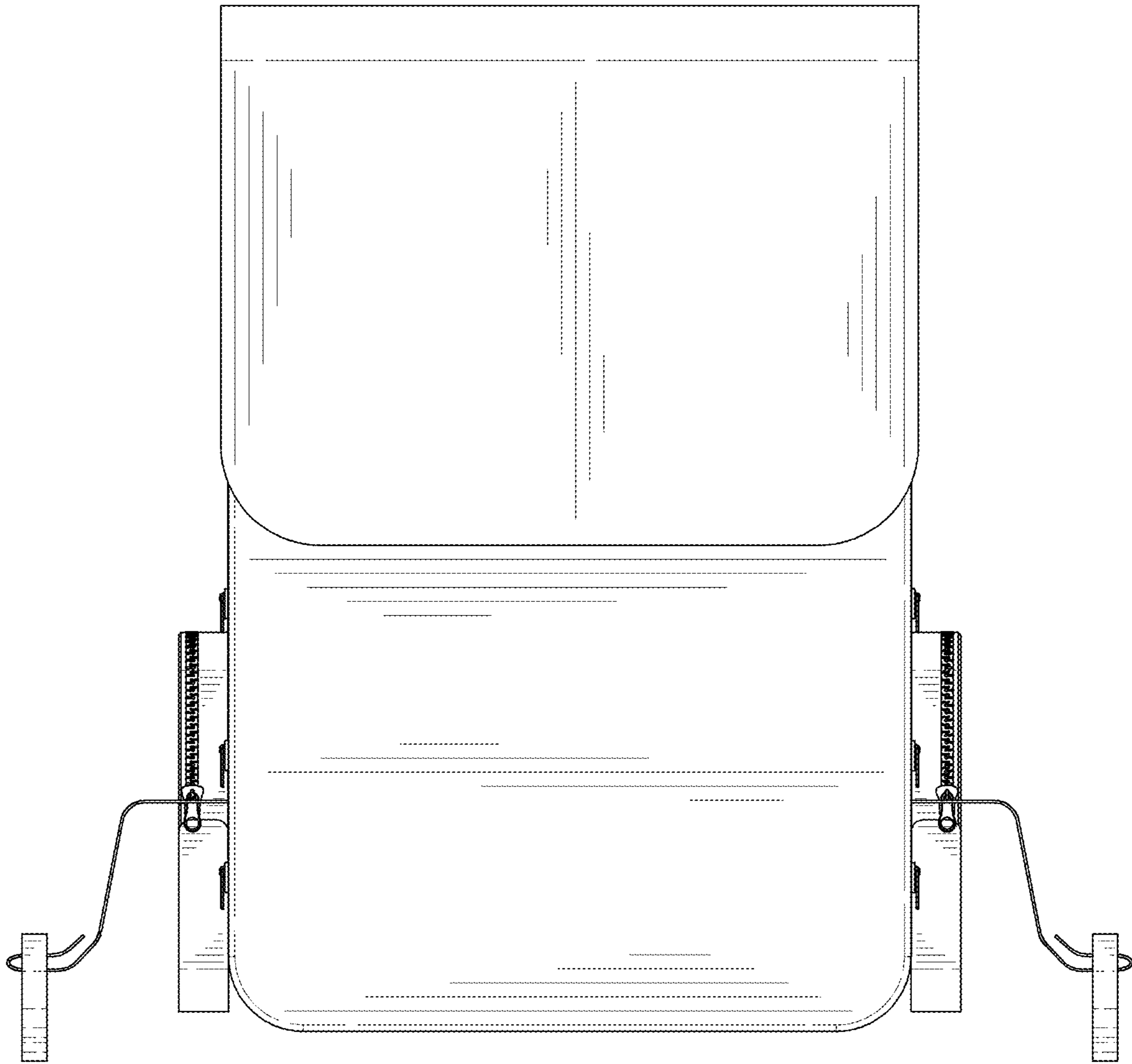


FIG. 3

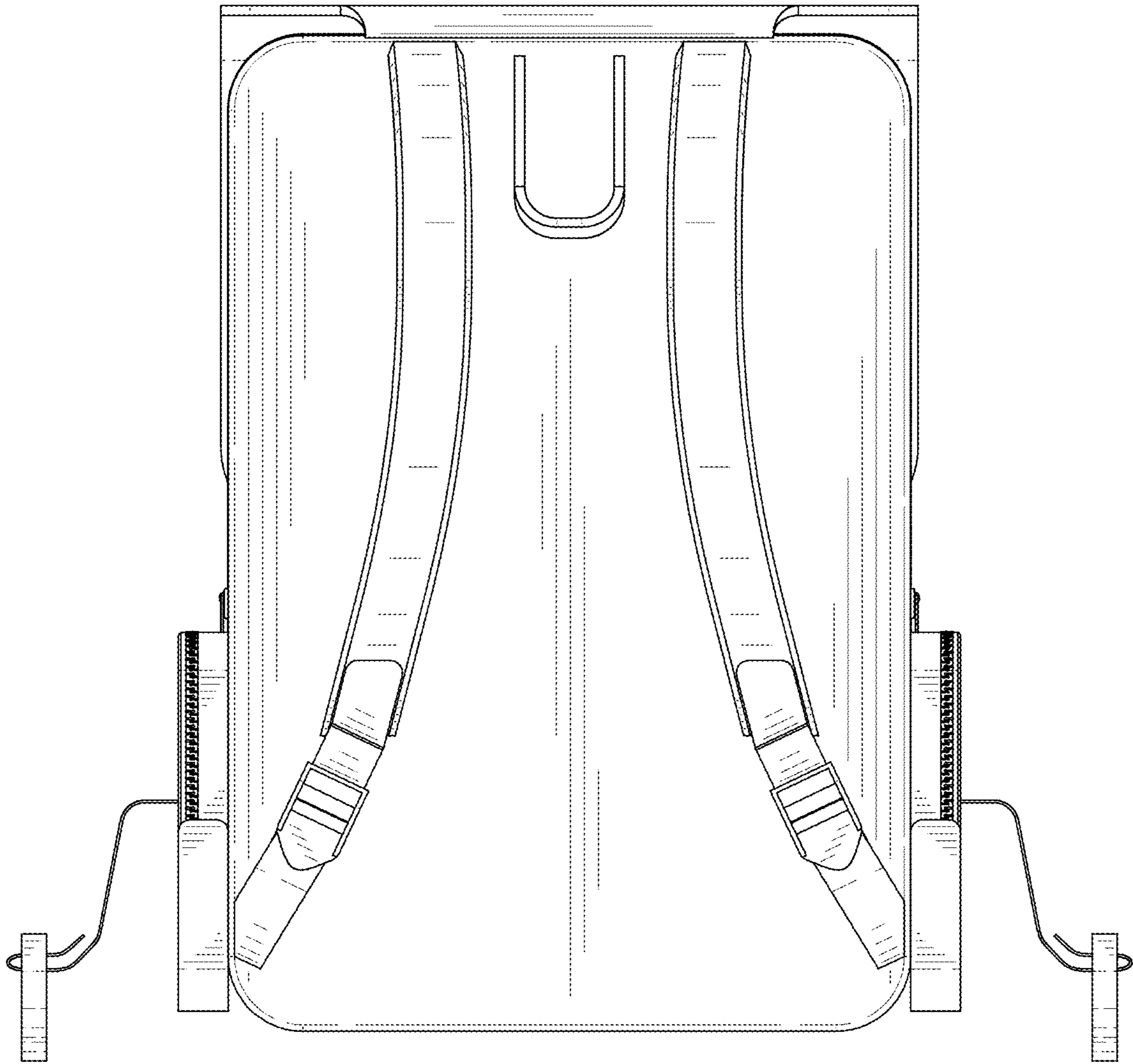


FIG. 4

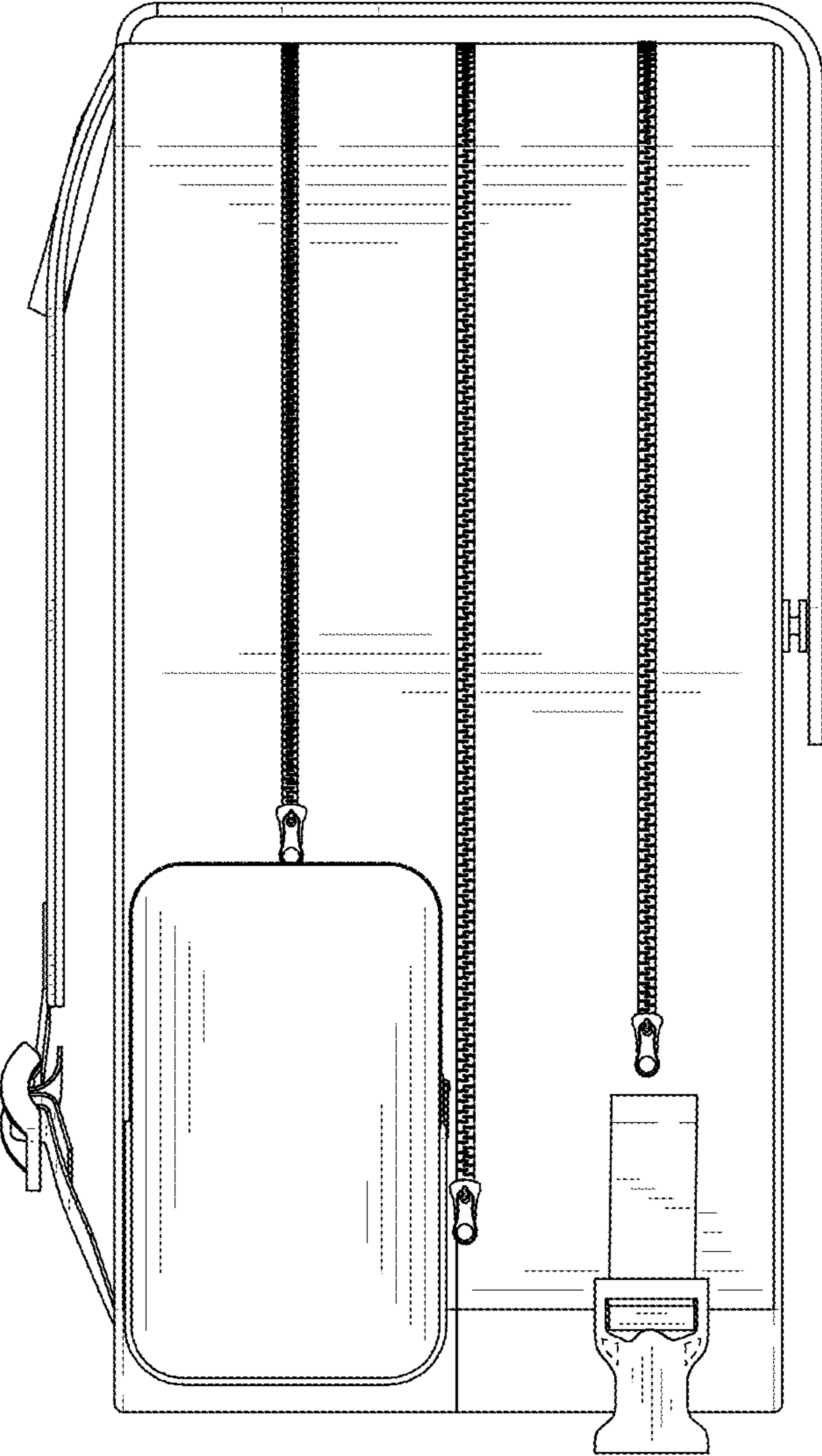


FIG. 5

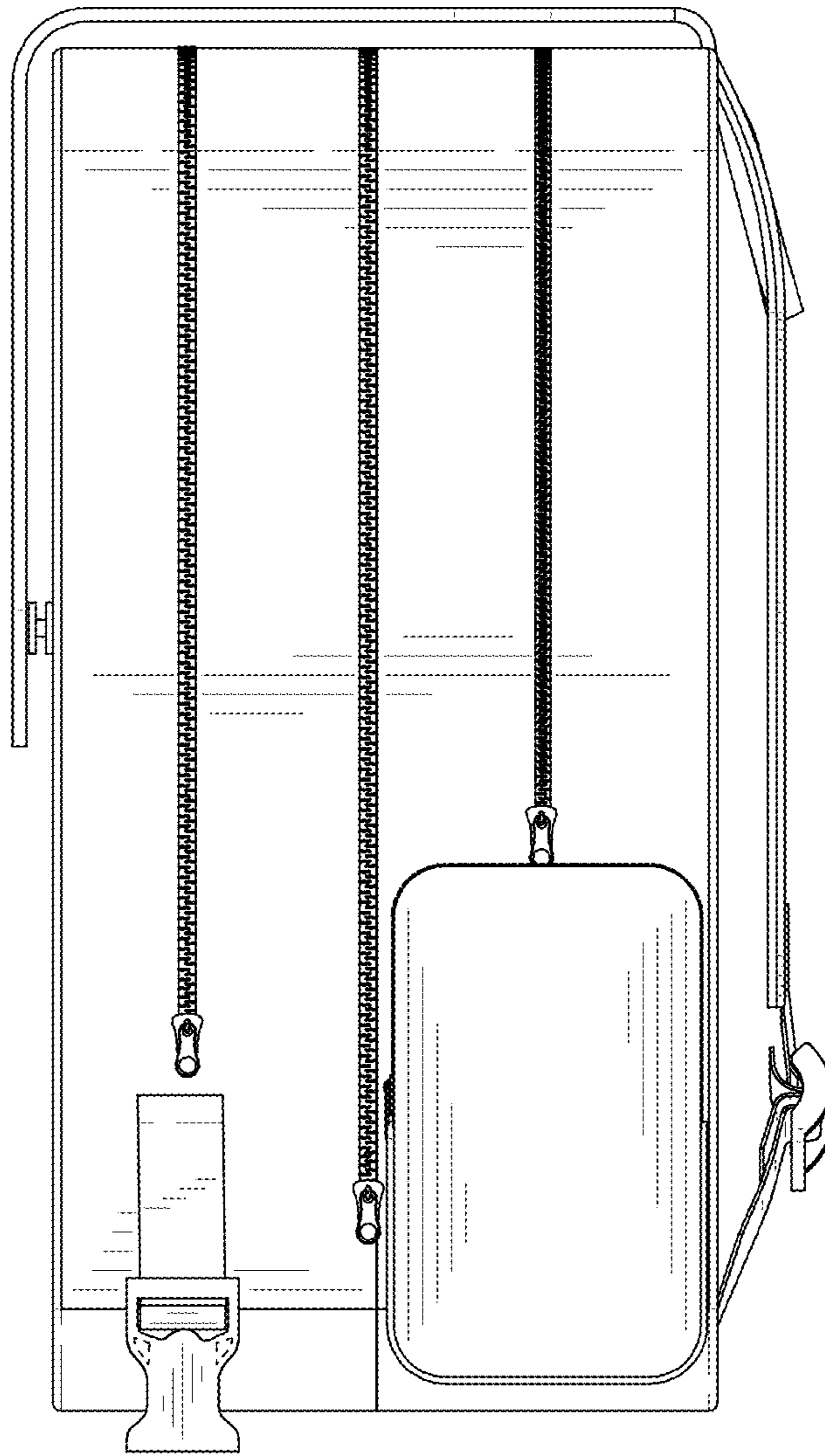


FIG. 6



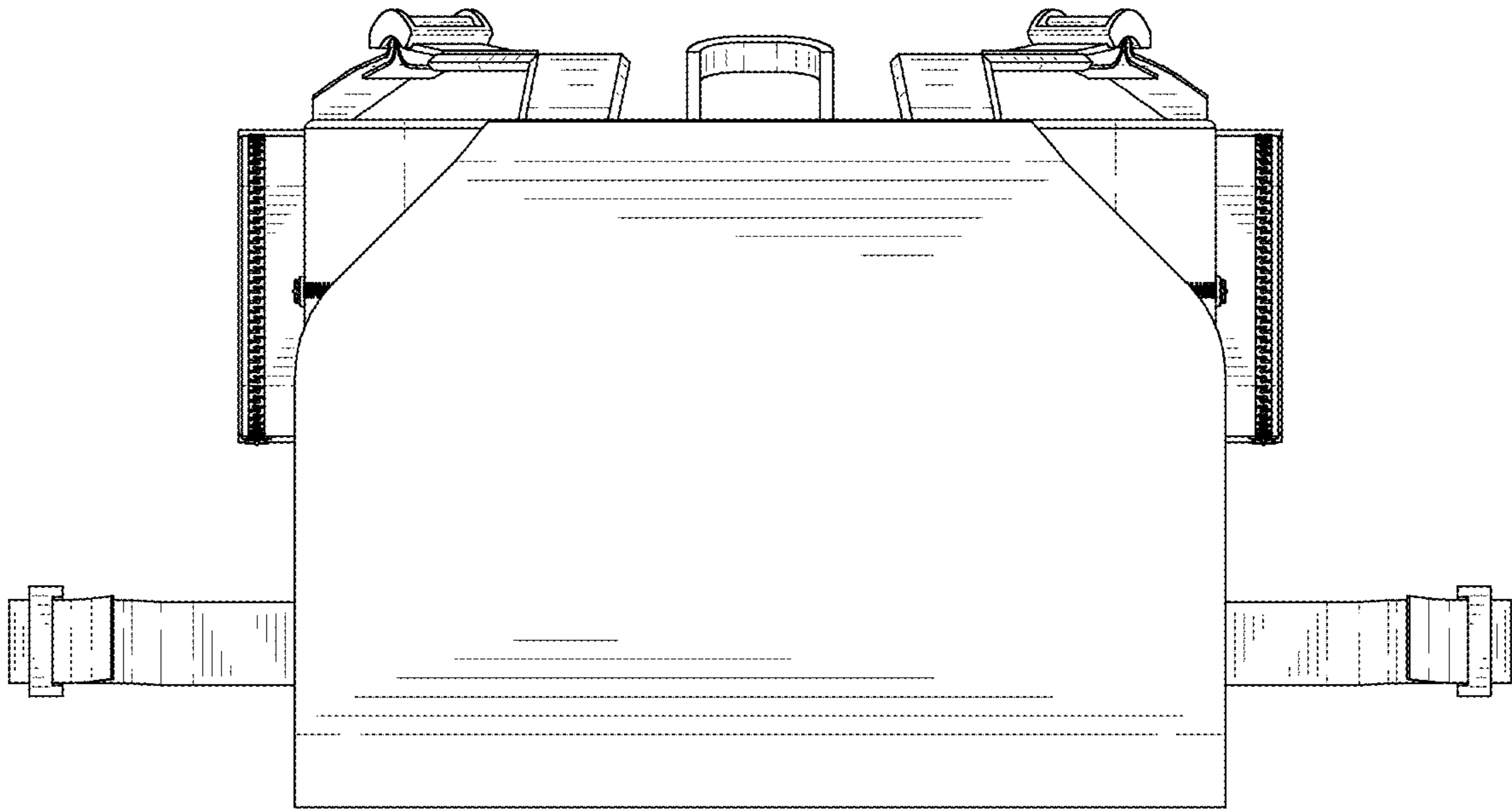


FIG. 7

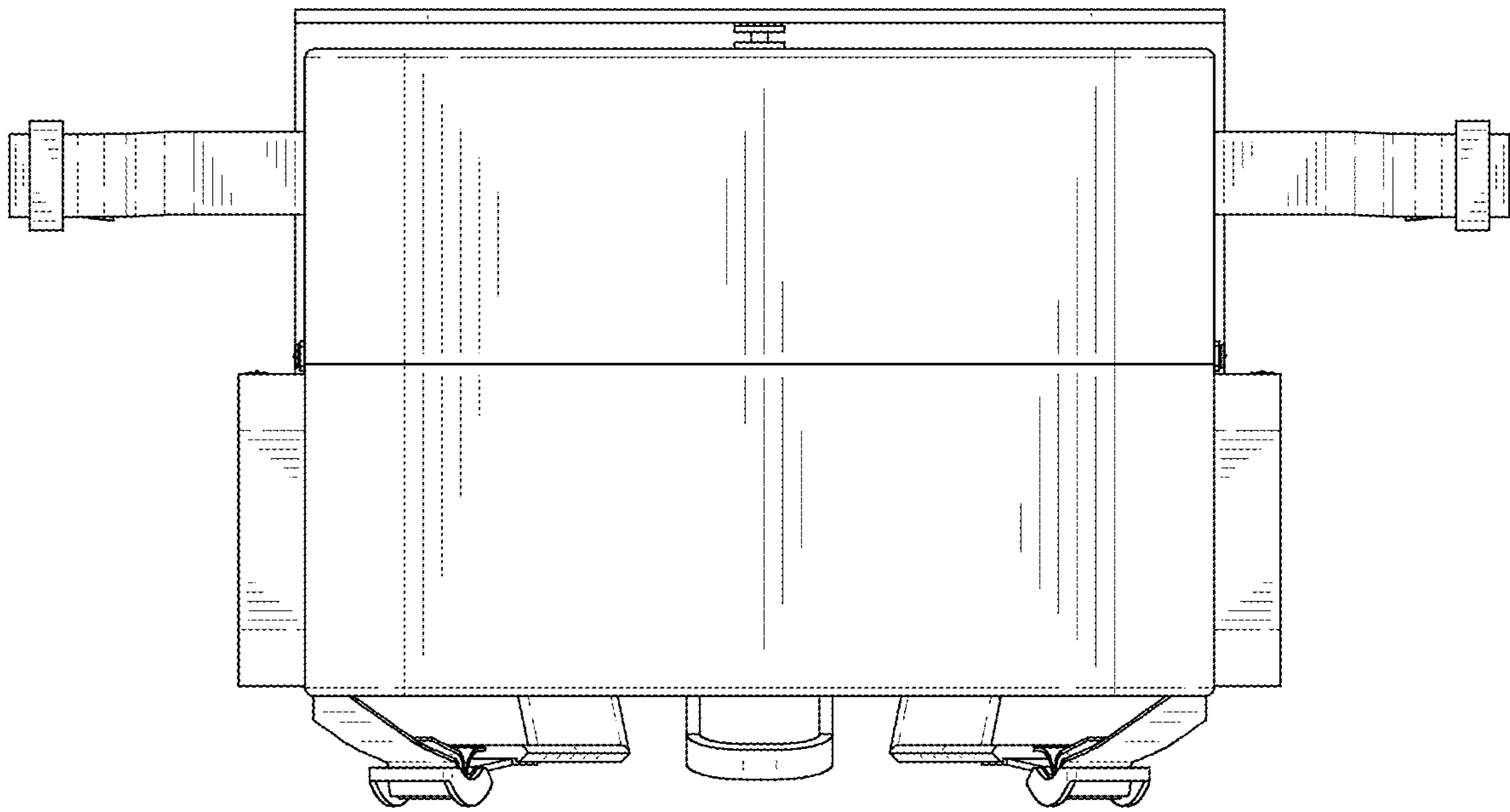


FIG. 8

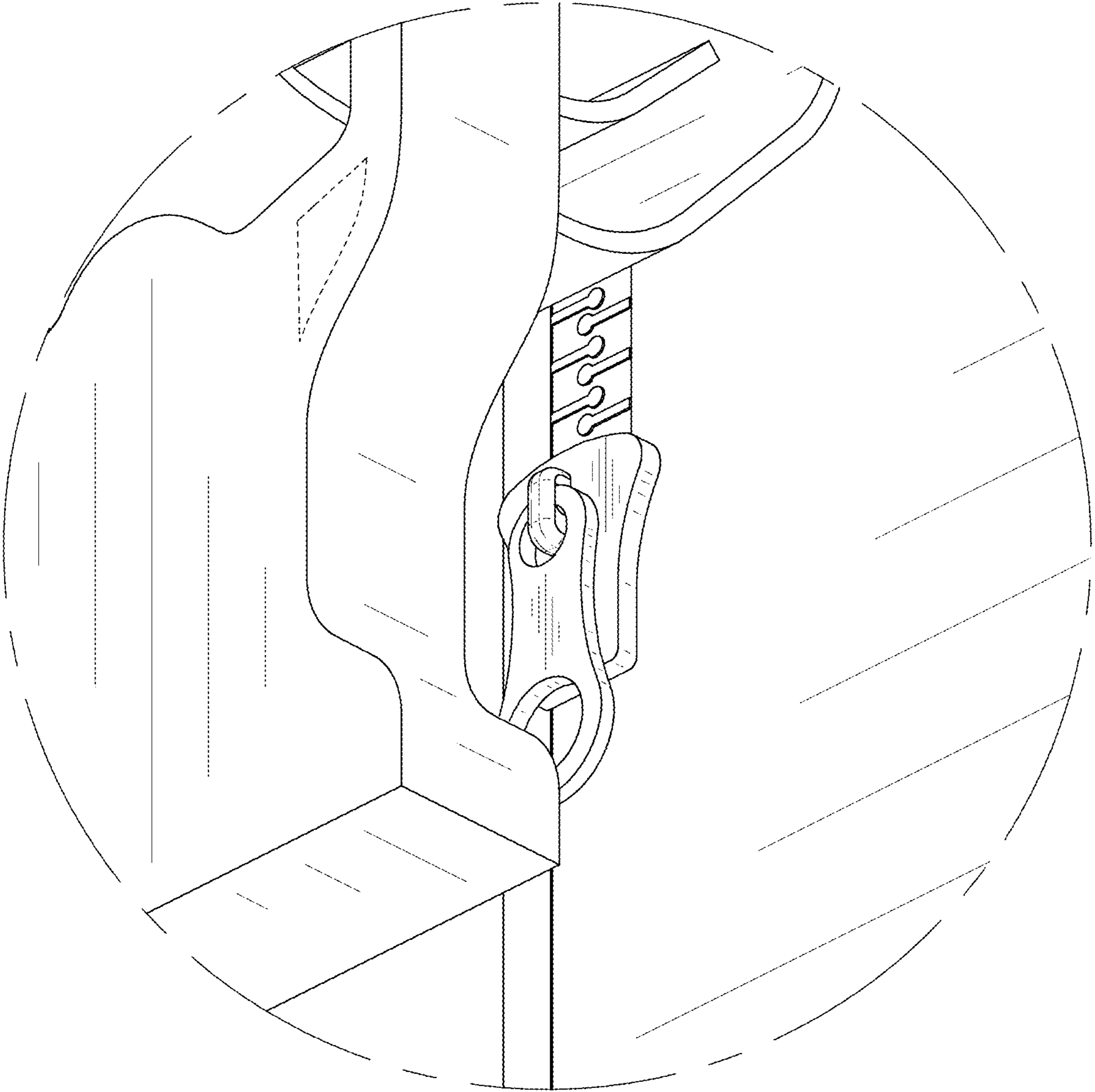


FIG. 9

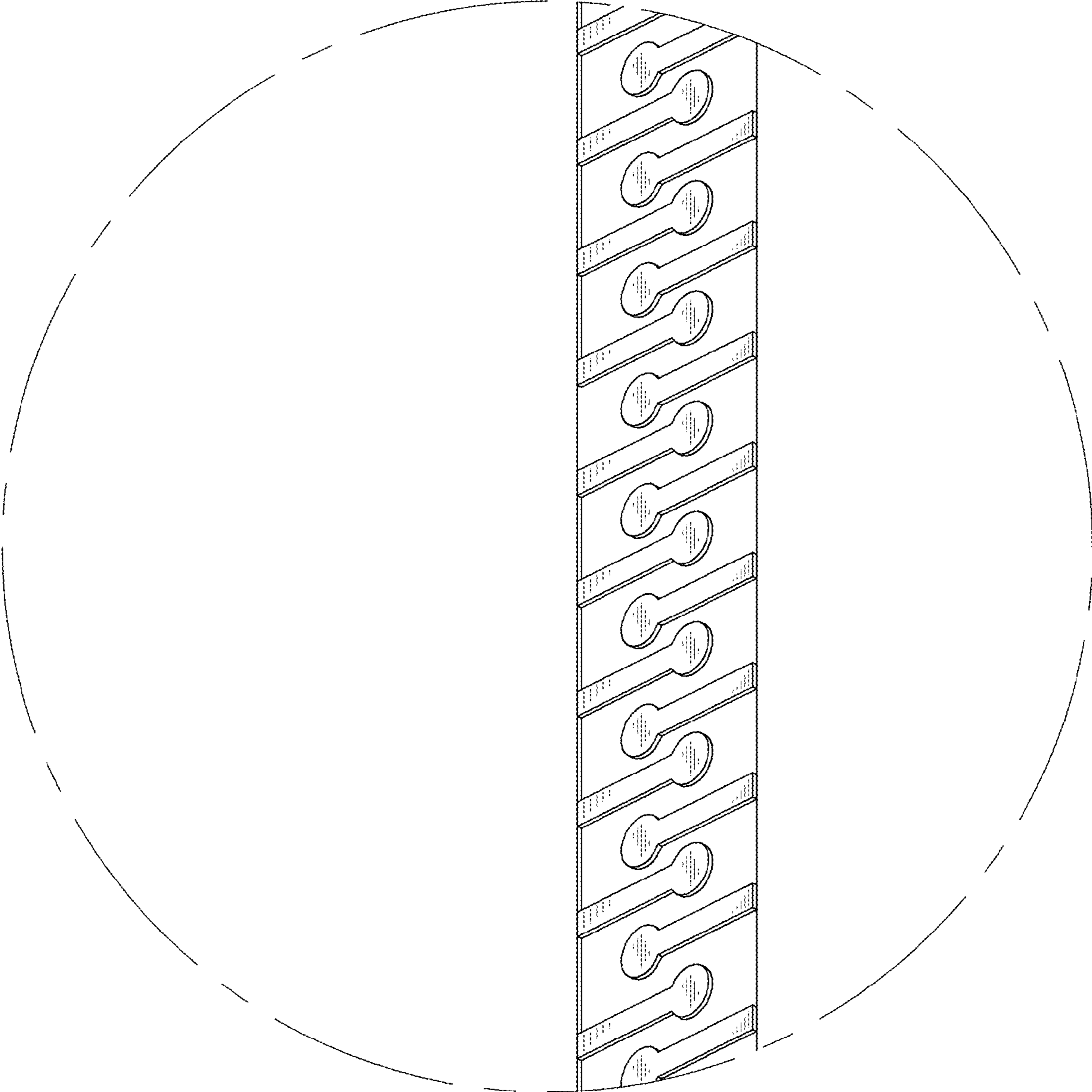


FIG. 10

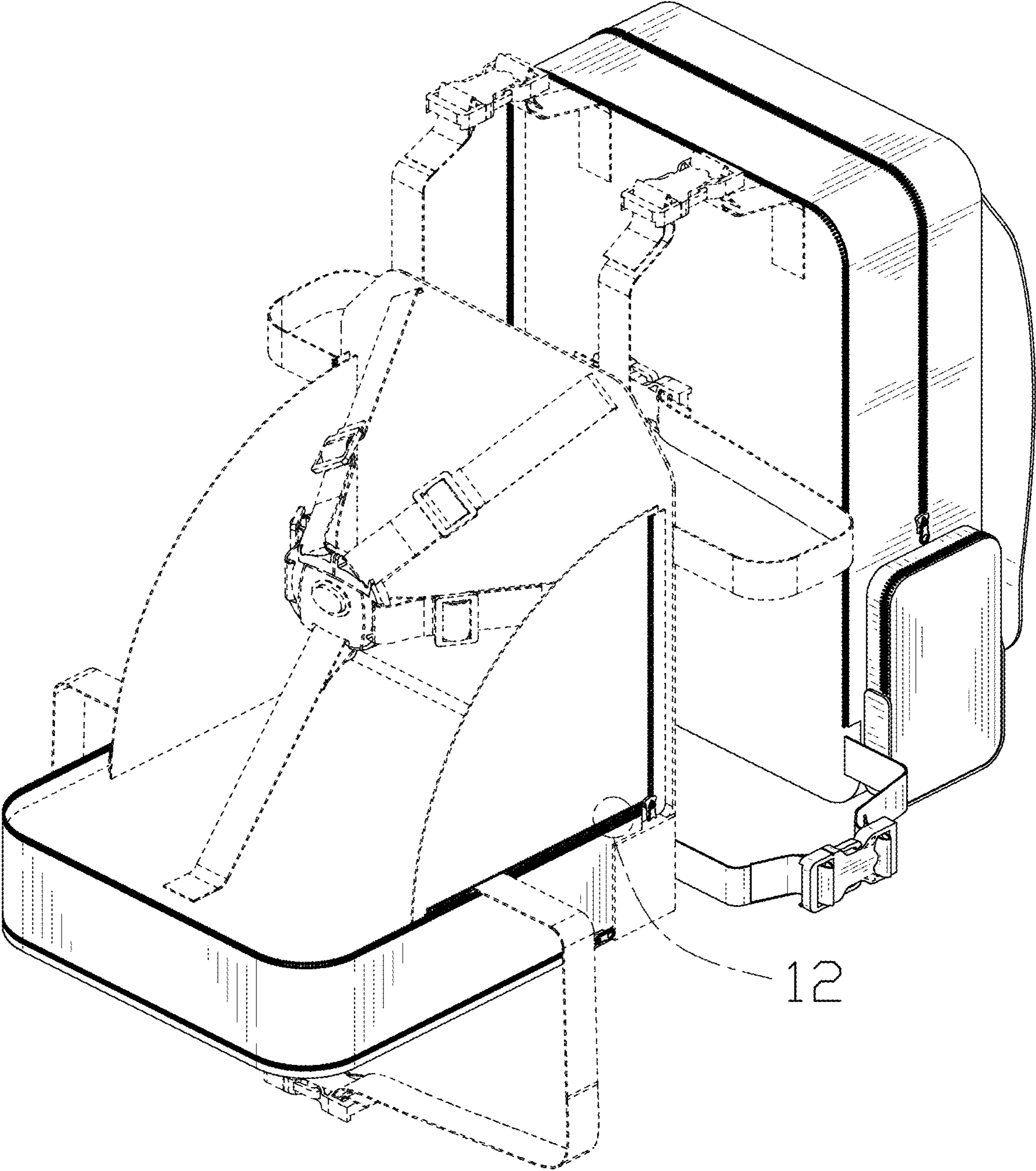


FIG. 11

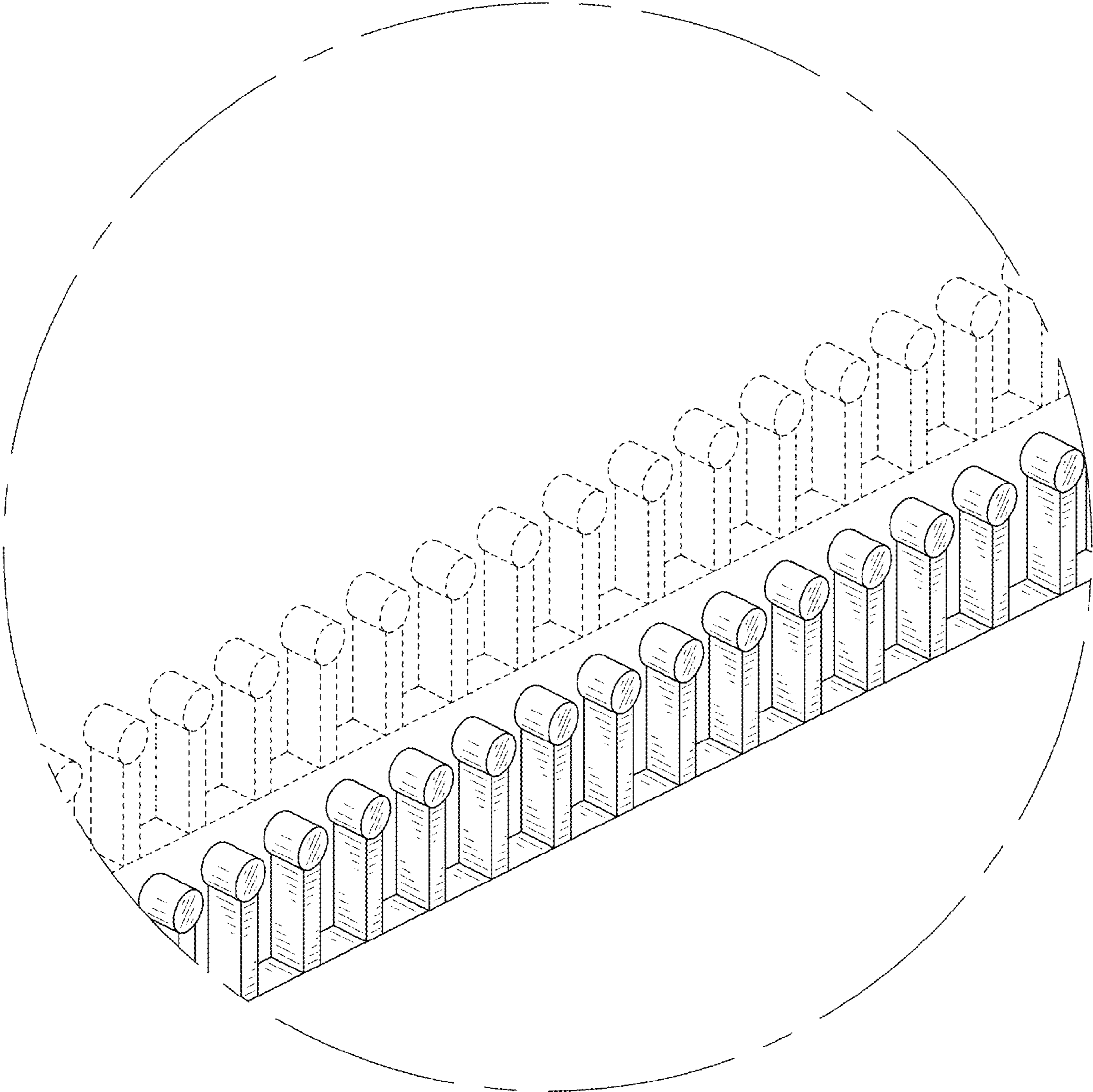


FIG. 12