



US00D973348S

(12) **United States Design Patent** (10) **Patent No.:** **US D973,348 S**
Vis (45) **Date of Patent:** **** Dec. 27, 2022**

(54) **BACKPACK**
(71) Applicant: **DECATHLON**, Villeneuve d'Ascq (FR)
(72) Inventor: **Raphael Vis**, Hendaye (FR)
(73) Assignee: **DECATHLON**, Villeneuve d'Ascq (FR)

D819,328 S * 6/2018 Muhlenkamp, IV D3/217
D829,436 S * 10/2018 Benzon D3/217
D865,355 S * 11/2019 Benzon D3/217
D899,078 S * 10/2020 Overton D3/217
D901,878 S * 11/2020 Ji D3/217
D904,010 S * 12/2020 Wright D3/217
2017/0225872 A1 * 8/2017 Collie B65D 81/3897

(**) Term: **15 Years**
(21) Appl. No.: **29/714,606**

FOREIGN PATENT DOCUMENTS

CN 303292999 * 7/2015
CN 304983183 * 1/2019

(22) Filed: **Nov. 25, 2019**

* cited by examiner

(30) **Foreign Application Priority Data**

Primary Examiner — Mary Shannon Malley
(74) *Attorney, Agent, or Firm* — Fross Zelnick Lehrman & Zissu PC; Charles T. J. Weigell, Esq.

May 23, 2019 (EM) 006504239-0001

(51) **LOC (13) Cl.** **03-01**
(52) **U.S. Cl.**
USPC **D3/217**

(57) **CLAIM**

The ornamental design for a backpack, as shown and described.

(58) **Field of Classification Search**
USPC D3/216, 217, 232, 233, 242–246, 273, D3/289, 290, 318, 321, 322, 323
CPC .. A45F 3/04; A45F 3/042; A45F 3/047; A45F 3/08; A45F 3/10; A45F 3/14; A45C 2003/007
See application file for complete search history.

DESCRIPTION

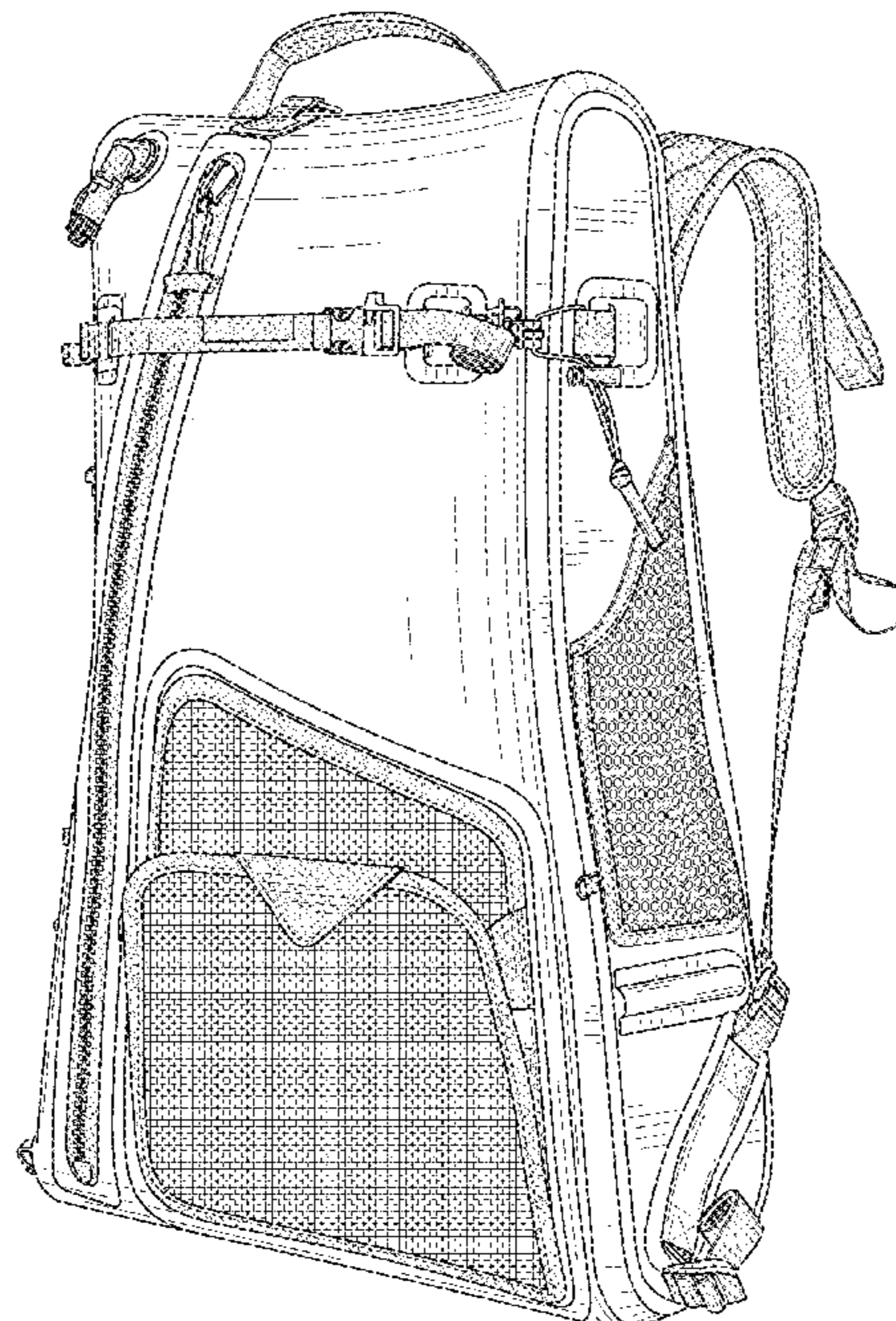
FIG. 1 is a front perspective view of the backpack showing my new design;
FIG. 2 is a back view thereof;
FIG. 3 is a front view thereof;
FIG. 4 is a left side view thereof;
FIG. 5 is a right side view thereof; and,
FIG. 6 is a top view thereof.
The broken lines on the bottom of the backpack depict environmental subject matter that forms no part of the claimed design. The remaining broken lines depict stitching and portions of the backpack that form no part of the claimed design.

(56) **References Cited**

U.S. PATENT DOCUMENTS

D699,032 S * 2/2014 BenDavid D3/216
D725,378 S * 3/2015 Ford D3/217
D737,567 S * 9/2015 Roberts D3/217
D745,777 S * 12/2015 Zwetzig D3/217
D758,715 S * 6/2016 Daniel D3/217
D811,727 S * 3/2018 Quehl D3/217

1 Claim, 6 Drawing Sheets



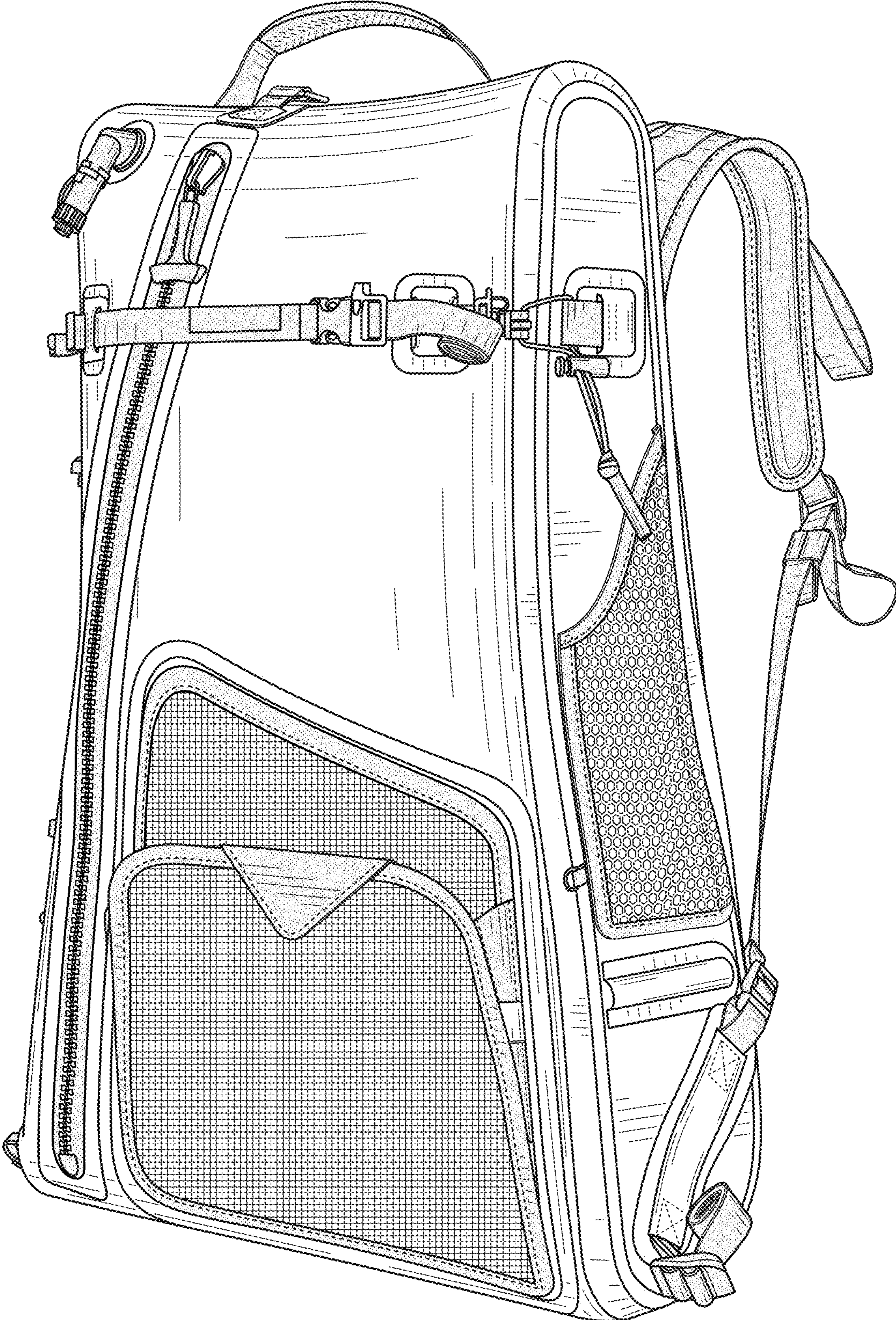


FIG. 1

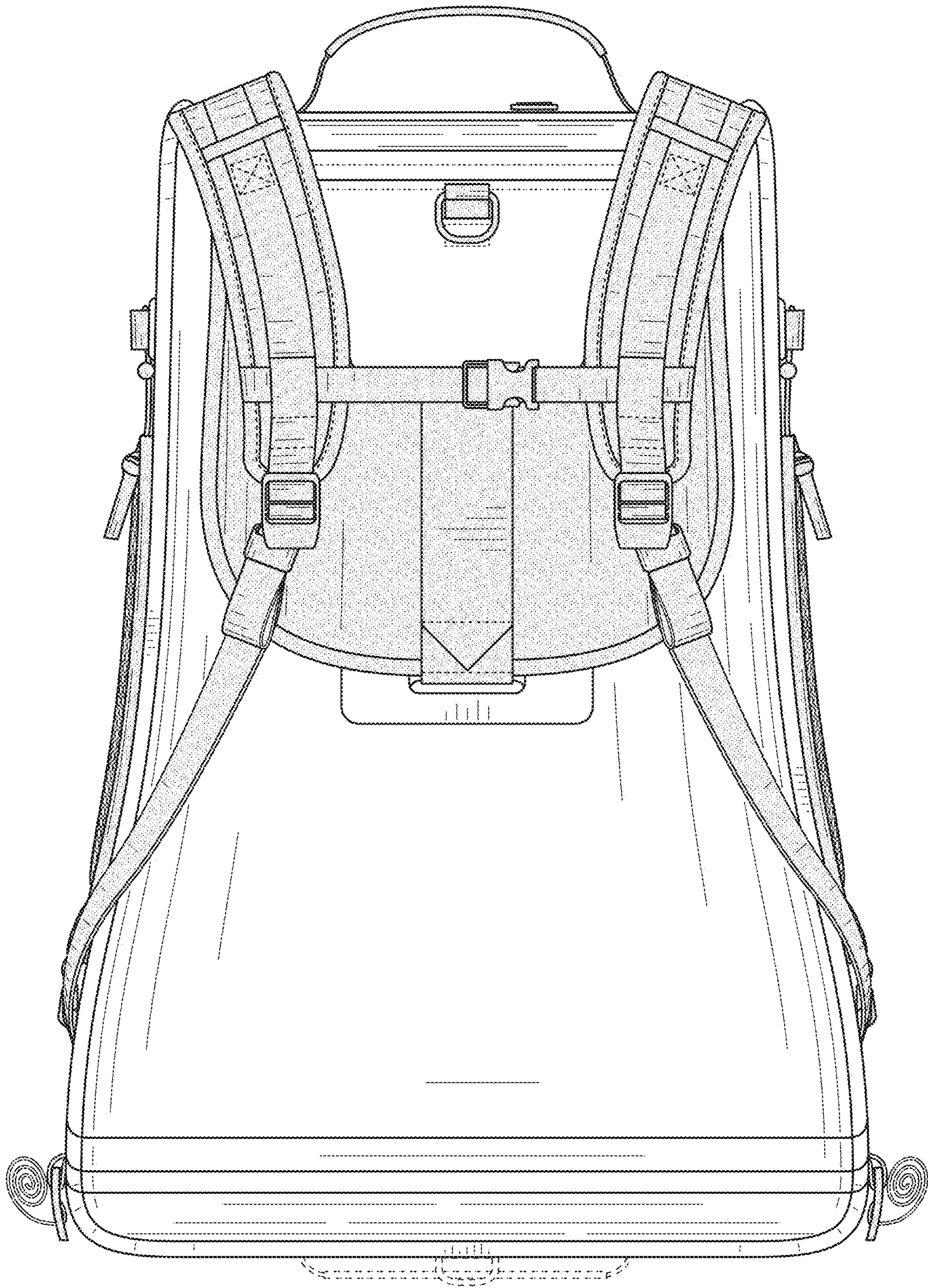


FIG. 2

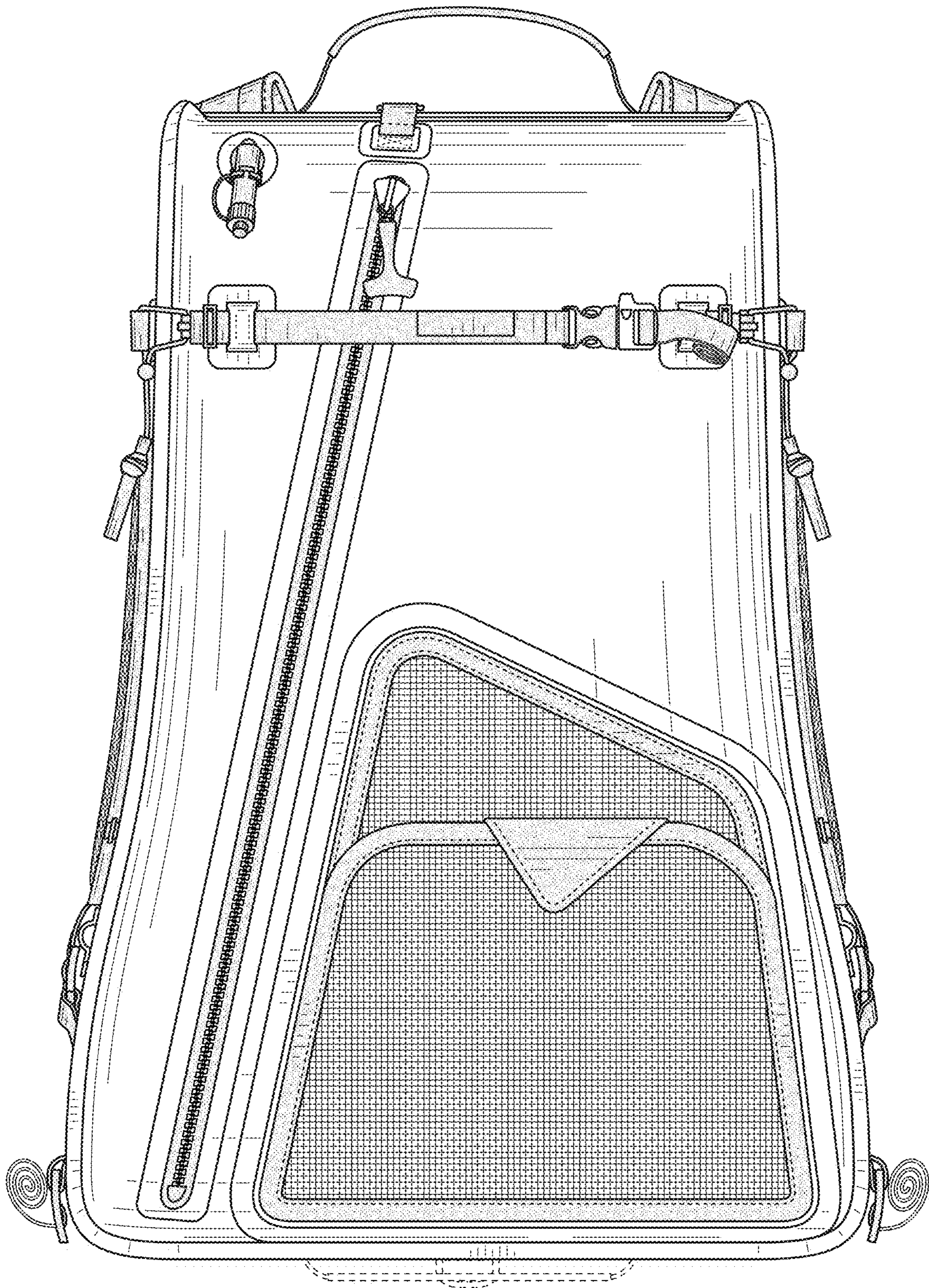


FIG. 3

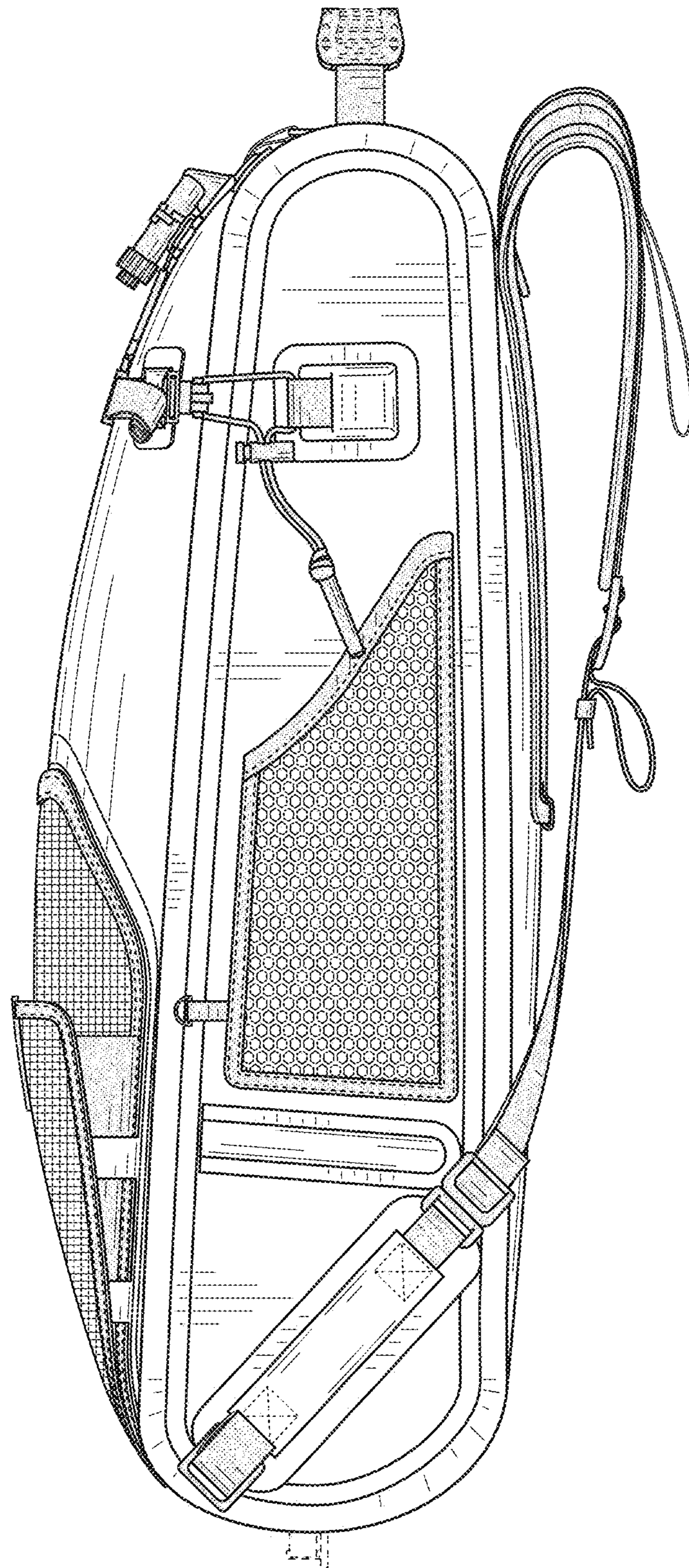


FIG. 4

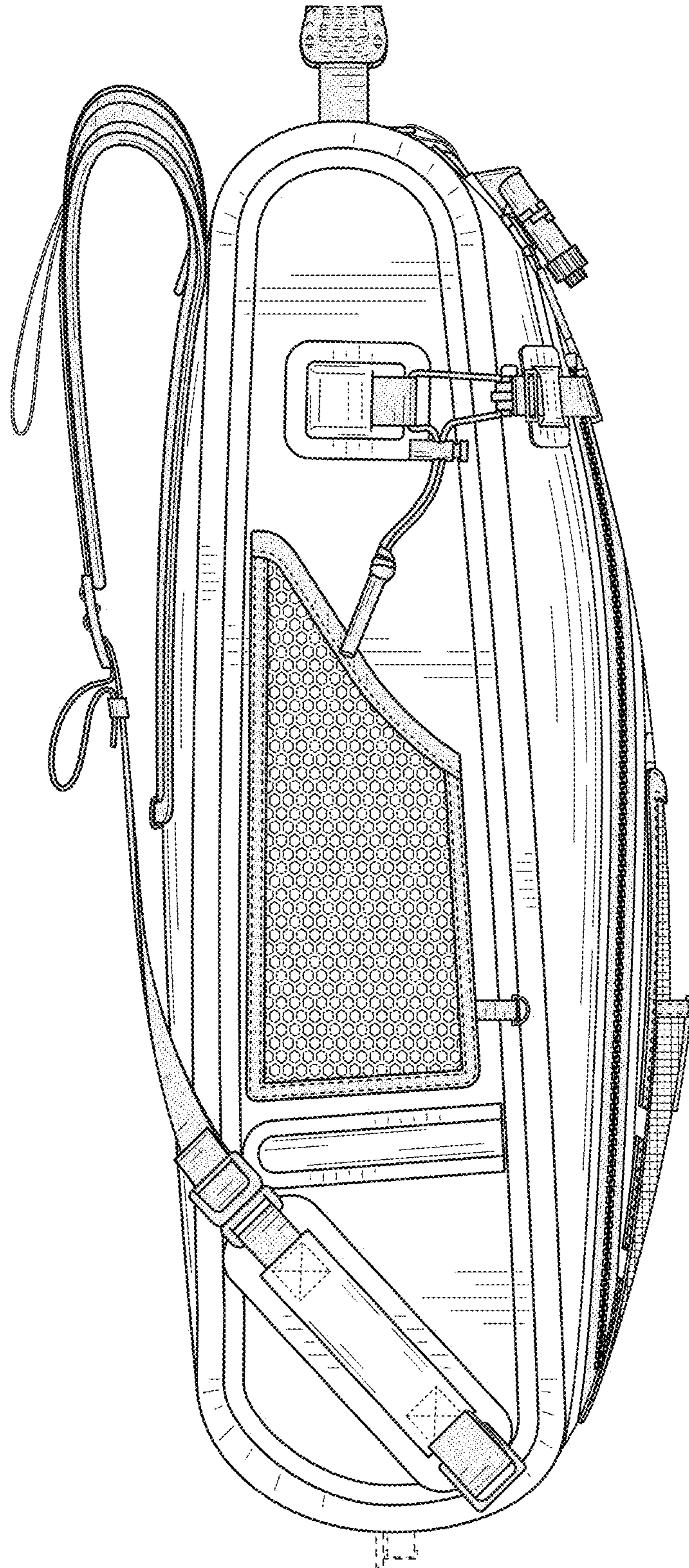


FIG. 5

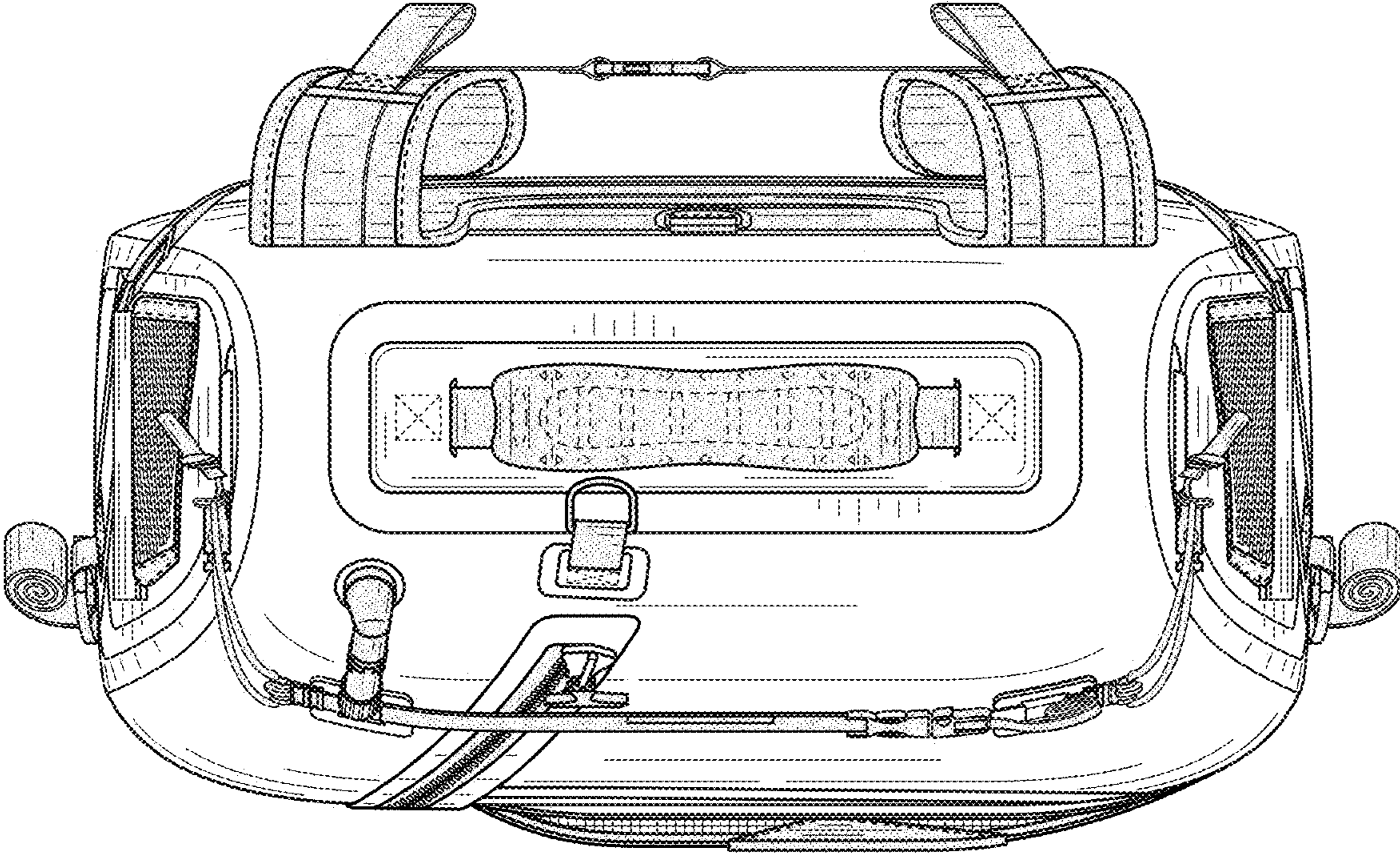


FIG. 6