



US00D973346S

(12) **United States Design Patent** (10) **Patent No.:** **US D973,346 S**
Chen (45) **Date of Patent:** **** *Dec. 27, 2022**

(54) **MEDICATION CASE**

(71) Applicant: **Changsha Yuwen Network Technology Co., Ltd.**, Changsha (CN)

(72) Inventor: **Junyuan Chen**, Changsha (CN)

(73) Assignee: **HAIKOU LILI INVESTMENT CO., LTD.**, Haikou (CN)

(*) Notice: This patent is subject to a terminal disclaimer.

(**) Term: **15 Years**

(21) Appl. No.: **29/772,285**

(22) Filed: **Mar. 1, 2021**

(51) **LOC (13) Cl.** **03-01**

(52) **U.S. Cl.**
USPC **D3/203.3**

(58) **Field of Classification Search**
USPC D3/201, 202, 203.1, 203.2, 203.3, 203.4, D3/203.5, 203.6, 203.7, 203.8, 204-212, D3/263-267, 270, 271.1, 273-275, 294, D3/295, 302, 901; D7/601, 602, D7/608-611, 614, 615, 637-639, D7/701-703; D9/600, 715, 717, 737,
(Continued)

(56) **References Cited**

U.S. PATENT DOCUMENTS

D452,611 S * 1/2002 Redgrave D3/264
D698,141 S * 1/2014 Priebe D3/203.3
(Continued)

FOREIGN PATENT DOCUMENTS

GB 6160869 * 9/2021
GB 6160872 * 9/2021
JP D1698976 * 11/2021

OTHER PUBLICATIONS

Auvon Weekly Pill Organizer 3-Times-A-Day, available at amazon.com, earliest date available May 13, 2020 [online], site visited Jun. 24, 2022, available from the internet URL: <https://www.amazon.com/AUVON-Organizer-Compartments-Medication-Supplements/dp/B088K5YND8?> (Year: 2020).*

(Continued)

Primary Examiner — Messina L Smith

Assistant Examiner — Jillian Mazzola

(74) *Attorney, Agent, or Firm* — IPro, PLLC

(57) **CLAIM**

The ornamental design for a medication case, as shown and described.

DESCRIPTION

FIG. 1 is a front and left side perspective view of a medication case showing the new design;

FIG. 2 is a rear and right side perspective view of the medication case;

FIG. 3 is a front view of the medication case;

FIG. 4 is a rear view of the medication case;

FIG. 5 is a left side view of the medication case;

FIG. 6 is a right side view of the medication case;

FIG. 7 is a top view of the medication case;

FIG. 8 is a bottom view of the medication case;

FIG. 9 is an enlarged view of the portion surrounded by the dash-dot line in FIG. 1; and,

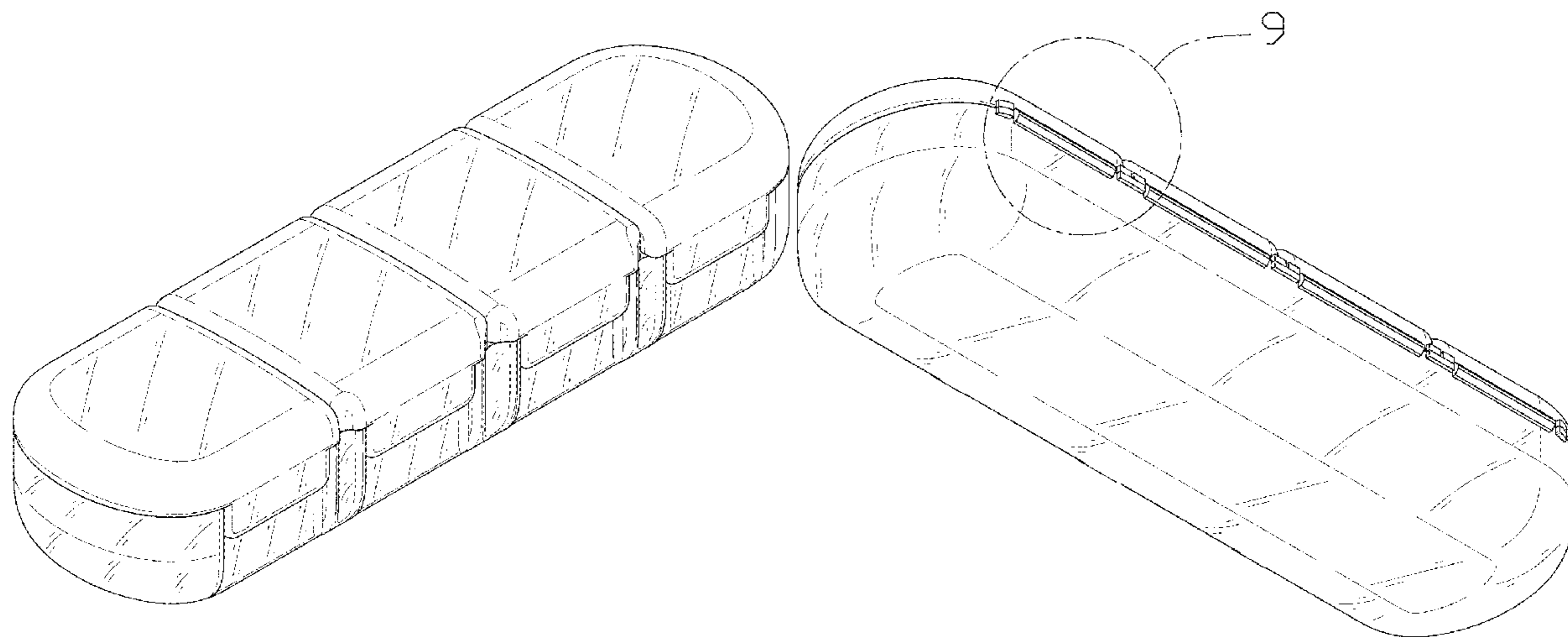
FIG. 10 is a front and left side perspective view of the medication case in its open state.

The dash-dot broken line in FIG. 2 and FIG. 9 represents the boundary of the enlarged partial view and forms no part of the claimed design.

The remaining dash broken lines in the drawings depict portions of the medication case that form no part of the claimed design.

The oblique shading lines show a transparent or semi-transparent surface, and not surface ornamentation.

1 Claim, 10 Drawing Sheets



(58) **Field of Classification Search**

USPC D9/756, 763, 766–773, 781, 782, 499;
 D14/203.4, 203.5, 203.6, 204, 205,
 D14/509–511; D24/224–227
 CPC A45C 11/00; A45C 11/005; A45C 11/008;
 A45C 11/02; A45C 11/04; A45C 11/043;
 A45C 11/046; A45C 11/06; A45C 11/08;
 A45C 11/10; A45C 11/12; A45C 11/14;
 A45C 11/16; A45C 11/18; A45C
 2011/001; A45C 2011/002; A45C
 2011/003; A45C 2011/006; A45C
 2011/007

See application file for complete search history.

(56) **References Cited**

U.S. PATENT DOCUMENTS

D698,540	S	*	2/2014	Priebe	D3/203.3
D747,869	S	*	1/2016	Priebe	D3/203.3
D775,462	S	*	1/2017	Noble	D3/203.3
D850,782	S	*	6/2019	Lee	D3/203.3
10,420,703	B1	*	9/2019	Lee	A61J 7/0084
D877,489	S	*	3/2020	Lee	D3/203.2
D895,958	S	*	9/2020	Guo	D3/203.3
D895,959	S	*	9/2020	Guo	D3/203.3
D897,665	S	*	10/2020	Guo	D3/203.3
D909,744	S	*	2/2021	Guo	B65D 43/164 D3/203.3

D914,357	S	*	3/2021	Chen	D3/203.3
D915,060	S	*	4/2021	Lee	D3/203.3
D916,455	S	*	4/2021	Chen	D3/203.2
D941,022	S	*	1/2022	Kwiatkowski et al.		
2010/0044270	A1	*	2/2010	Noble	B65D 83/04 206/538
2014/0251863	A1	*	9/2014	Priebe	A61J 1/03 206/534

OTHER PUBLICATIONS

Zoksi Weekly Pill Organizer, available at amazon.com, earliest date available Mar. 7, 2022 [online], site visited Jun. 24, 2022, available from the internet URL: <https://www.amazon.com/dp/B09TDBJD6L/> (Year: 2022).*

Summue Weekly Pill Organizer, available at amazon.com, earliest date available Jun. 19, 2021 [online], site visited Jun. 24, 2022, available from the internet URL: <https://www.amazon.com/dp/B097K3KWNN/> (Year: 2021).*

Amoos Cute Pill Organizer, available at amazon.com, earliest date available Nov. 19, 2021 [online], site visited Jun. 24, 2022, available from the internet URL: <https://www.amazon.com/dp/B09M8JBFH2/> (Year: 2021).*

Auvon iMedassist Weekly AM/PM Pill Box, available at amazon.com, earliest date available Aug. 7, 2017 [online], site visited Jun. 24, 2022, available from the internet URL: <https://www.amazon.com/AUVON-iMedassist-Moisture-Proof-Compartments-Supplements/dp/B074MC6HJR?> (Year: 2017).*

* cited by examiner

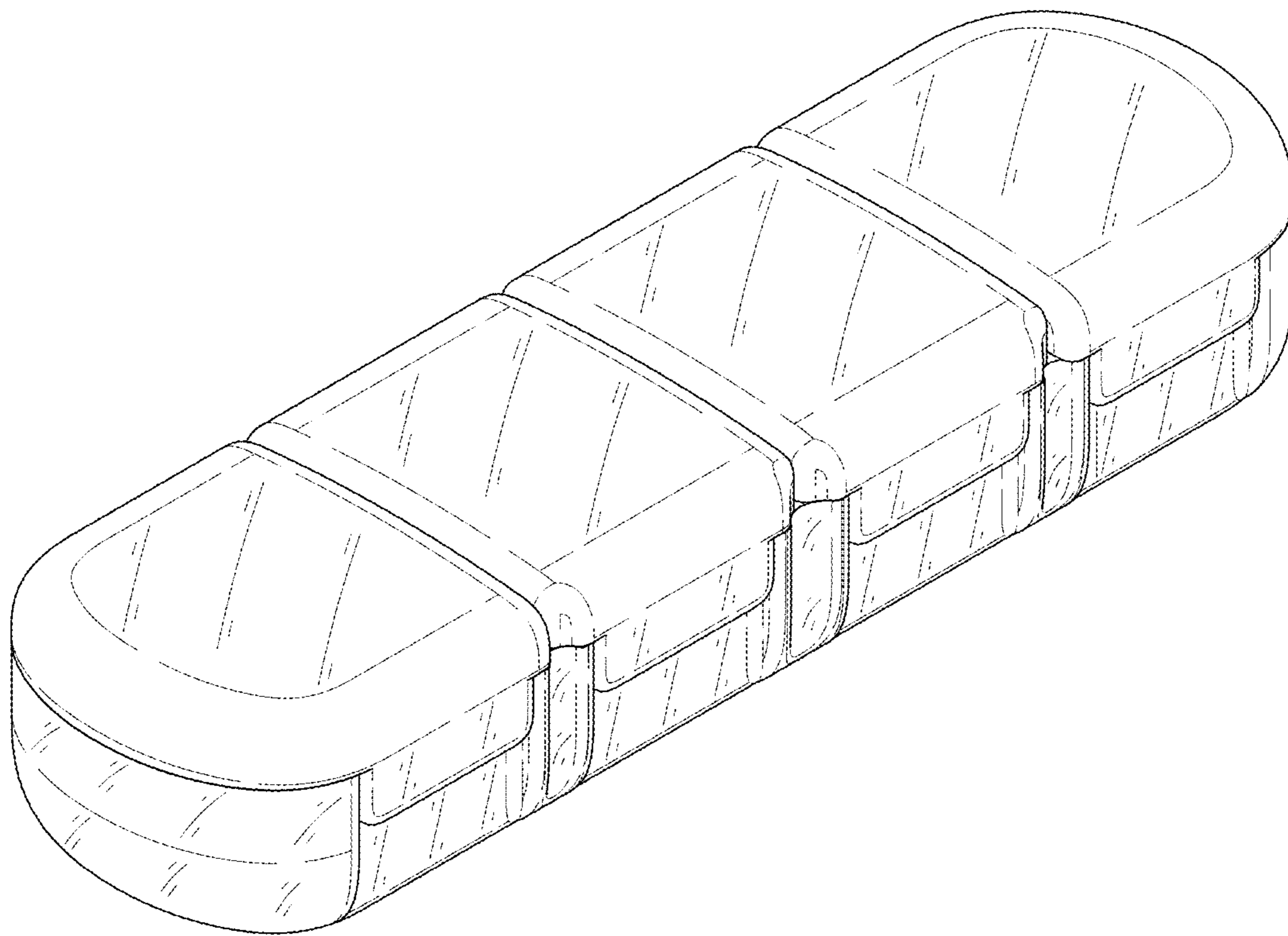


FIG. 1

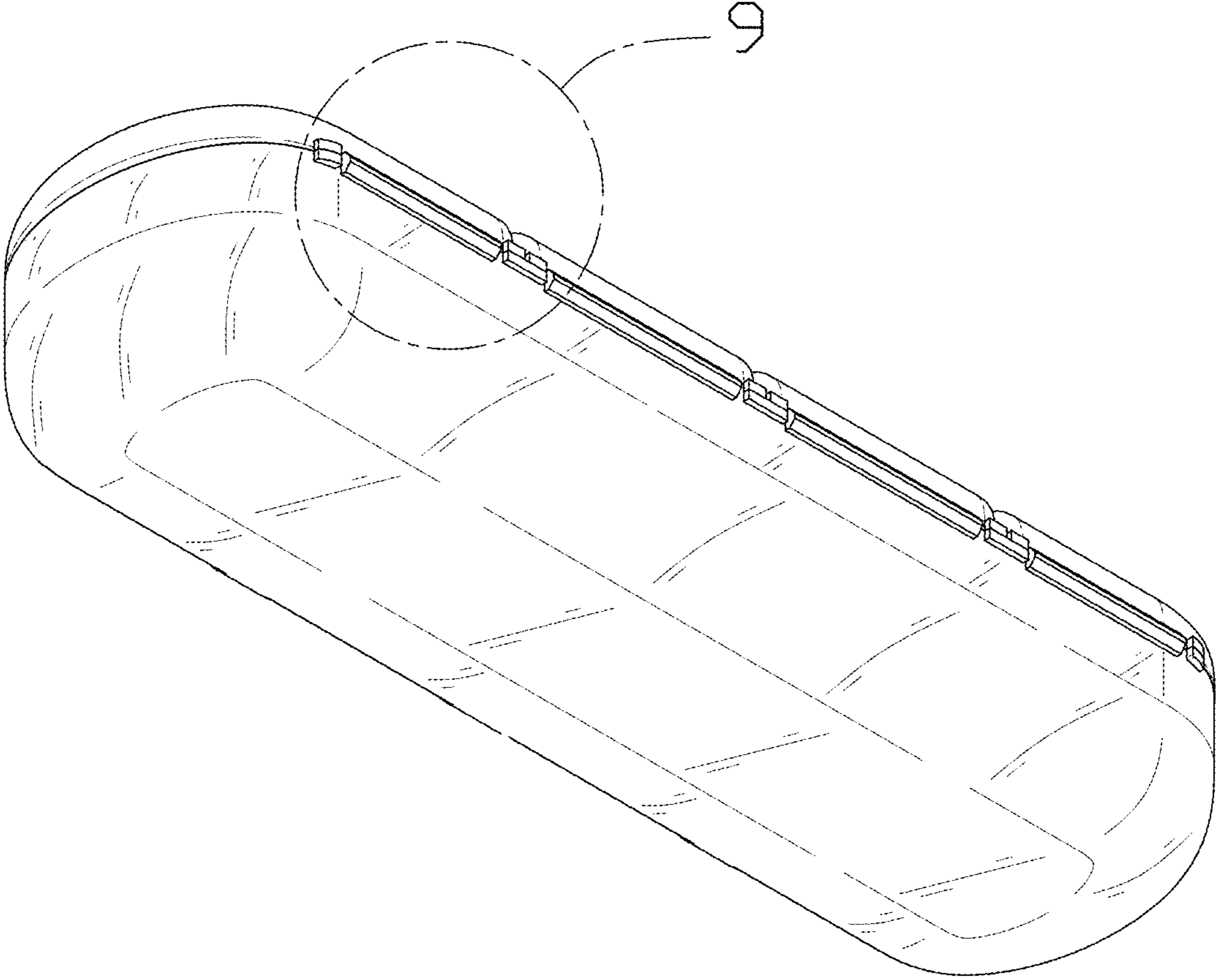


FIG. 2

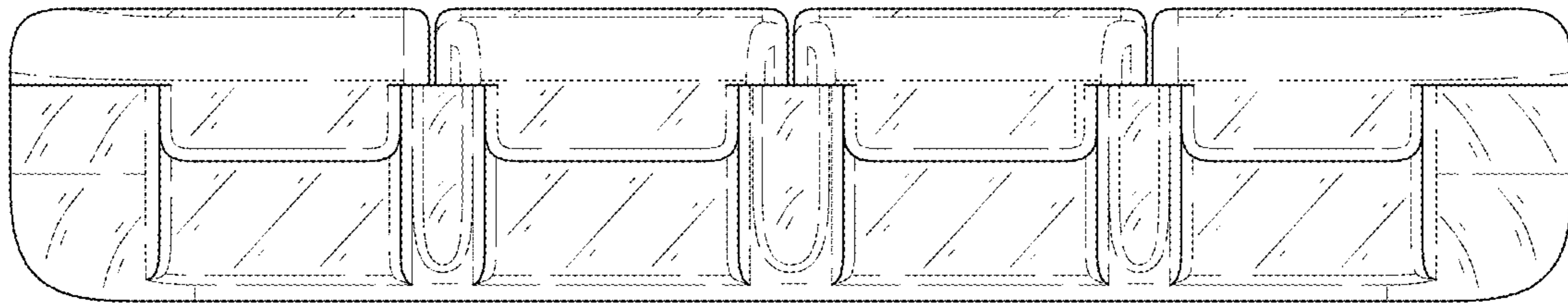


FIG. 3

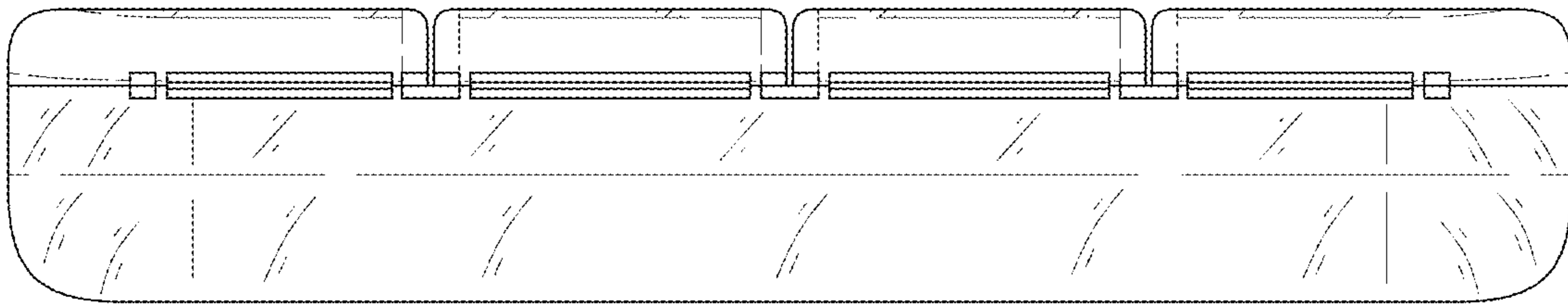


FIG. 4

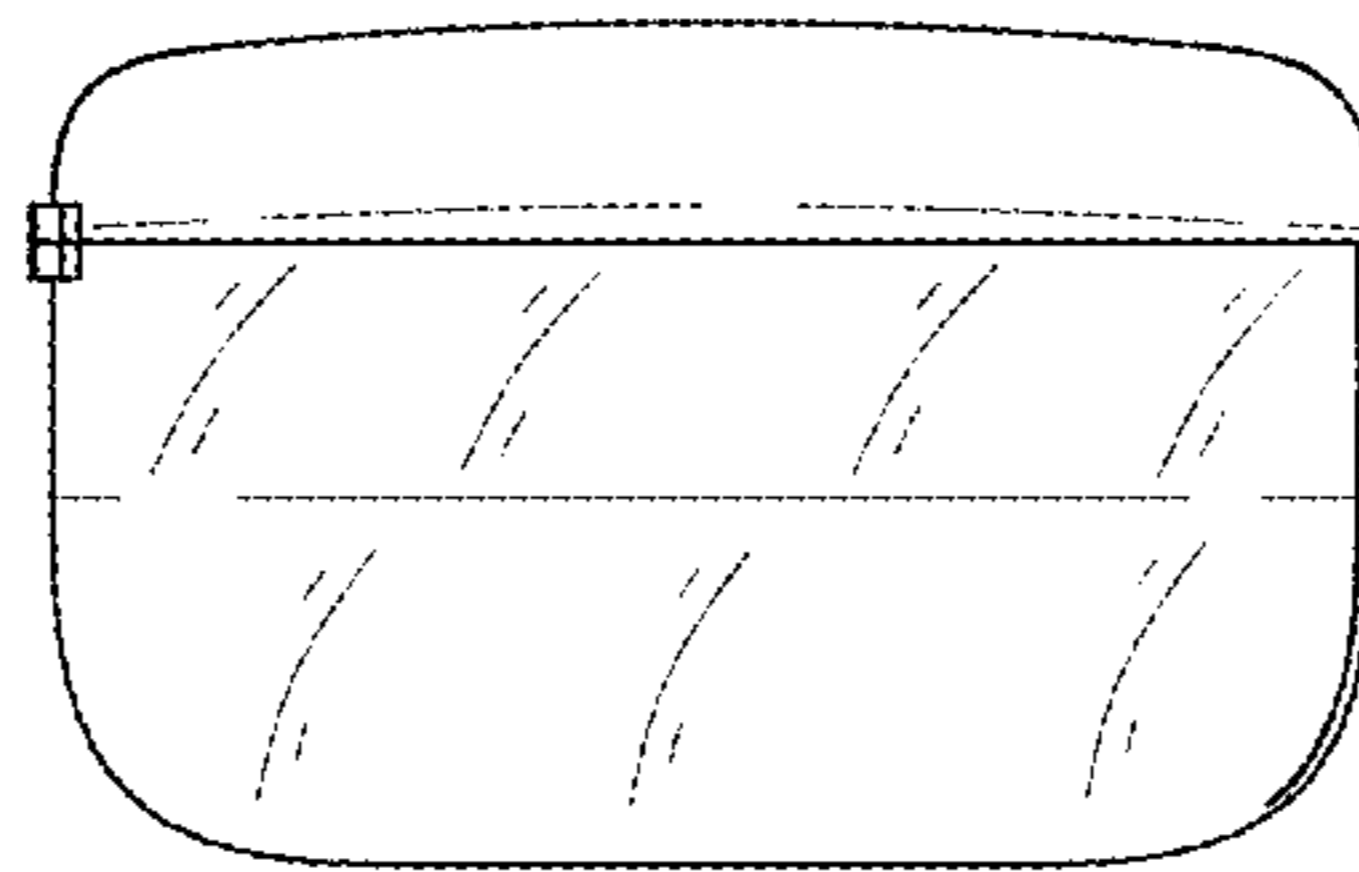


FIG. 5

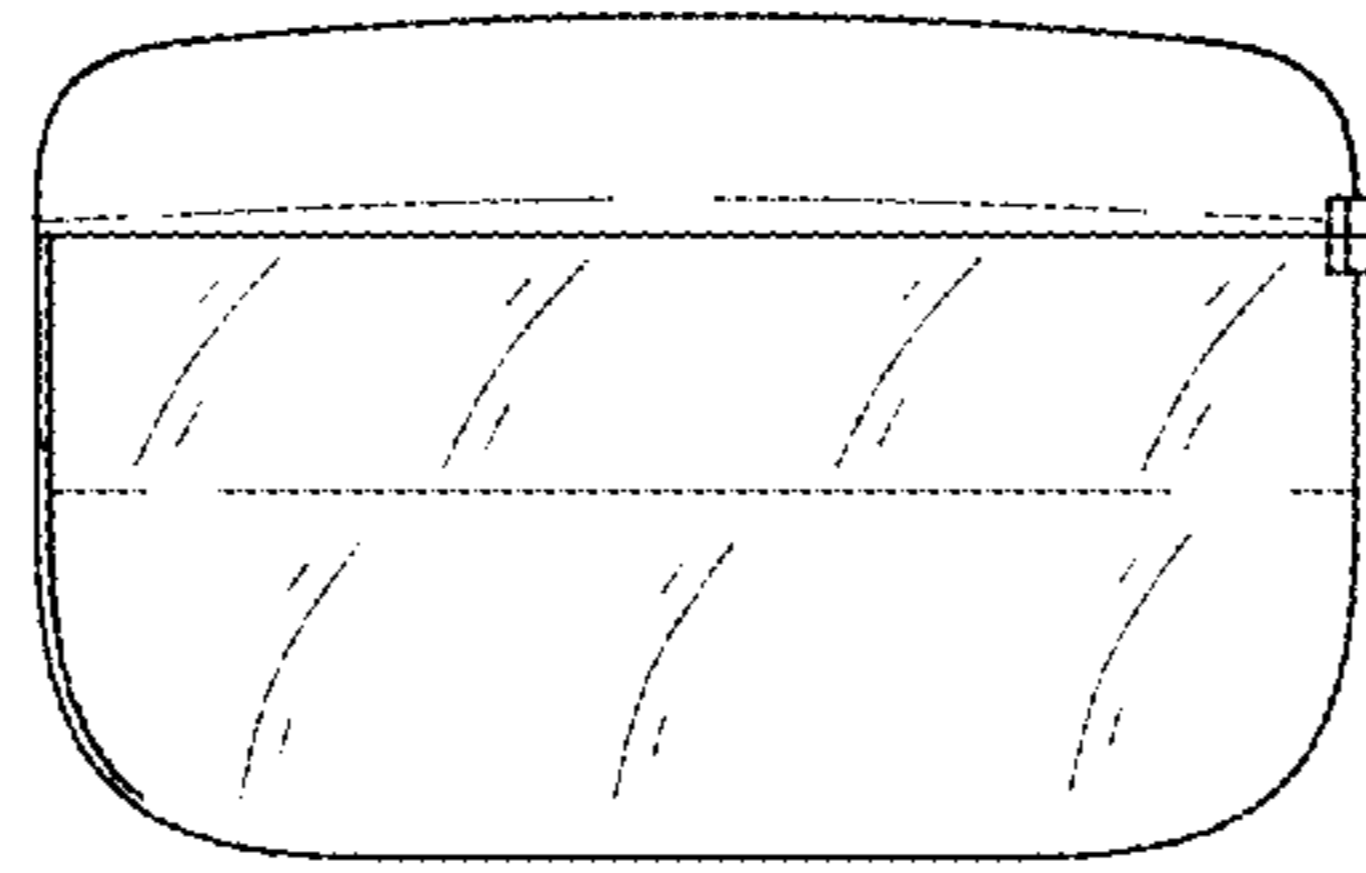


FIG. 6

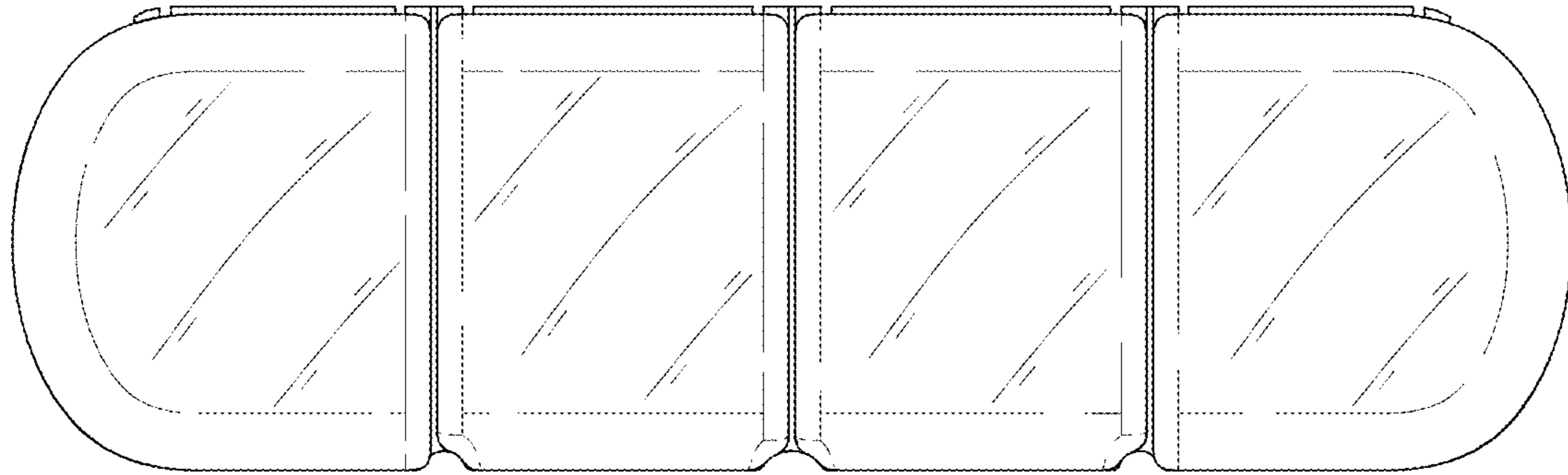


FIG. 7

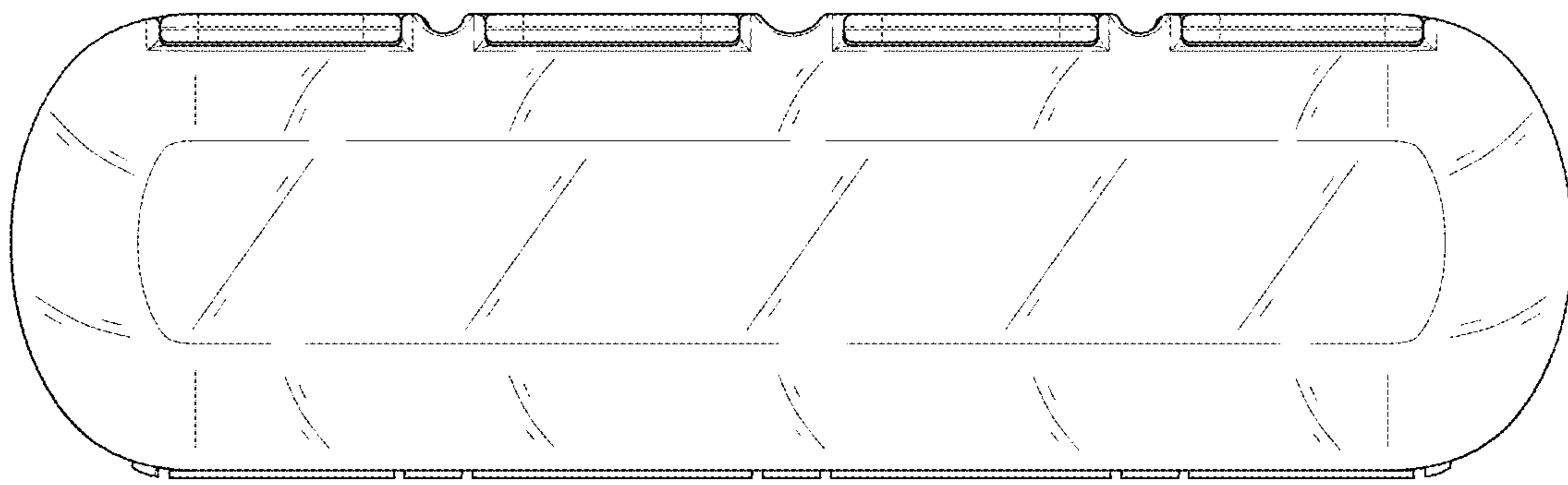


FIG. 8

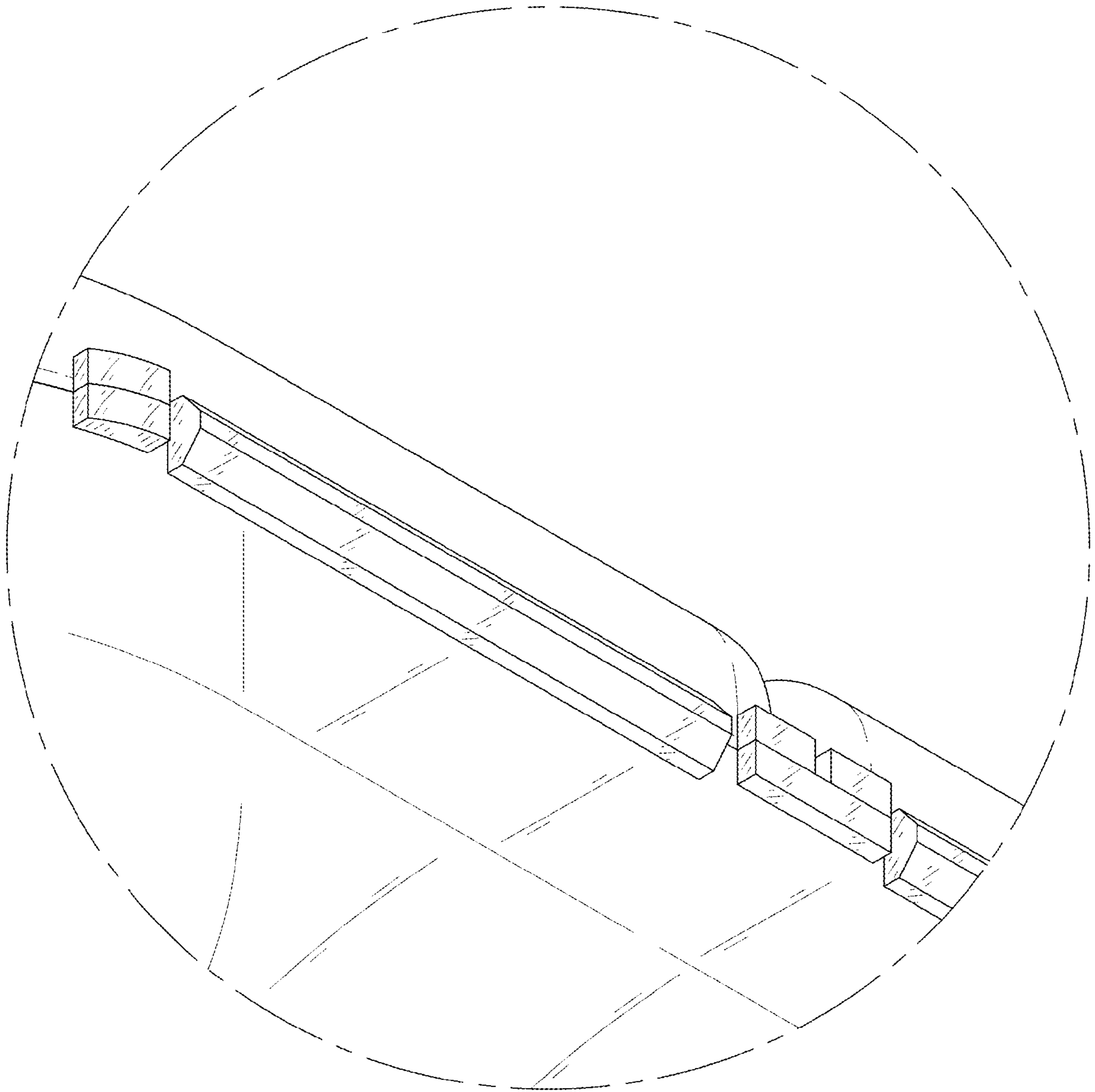


FIG. 9

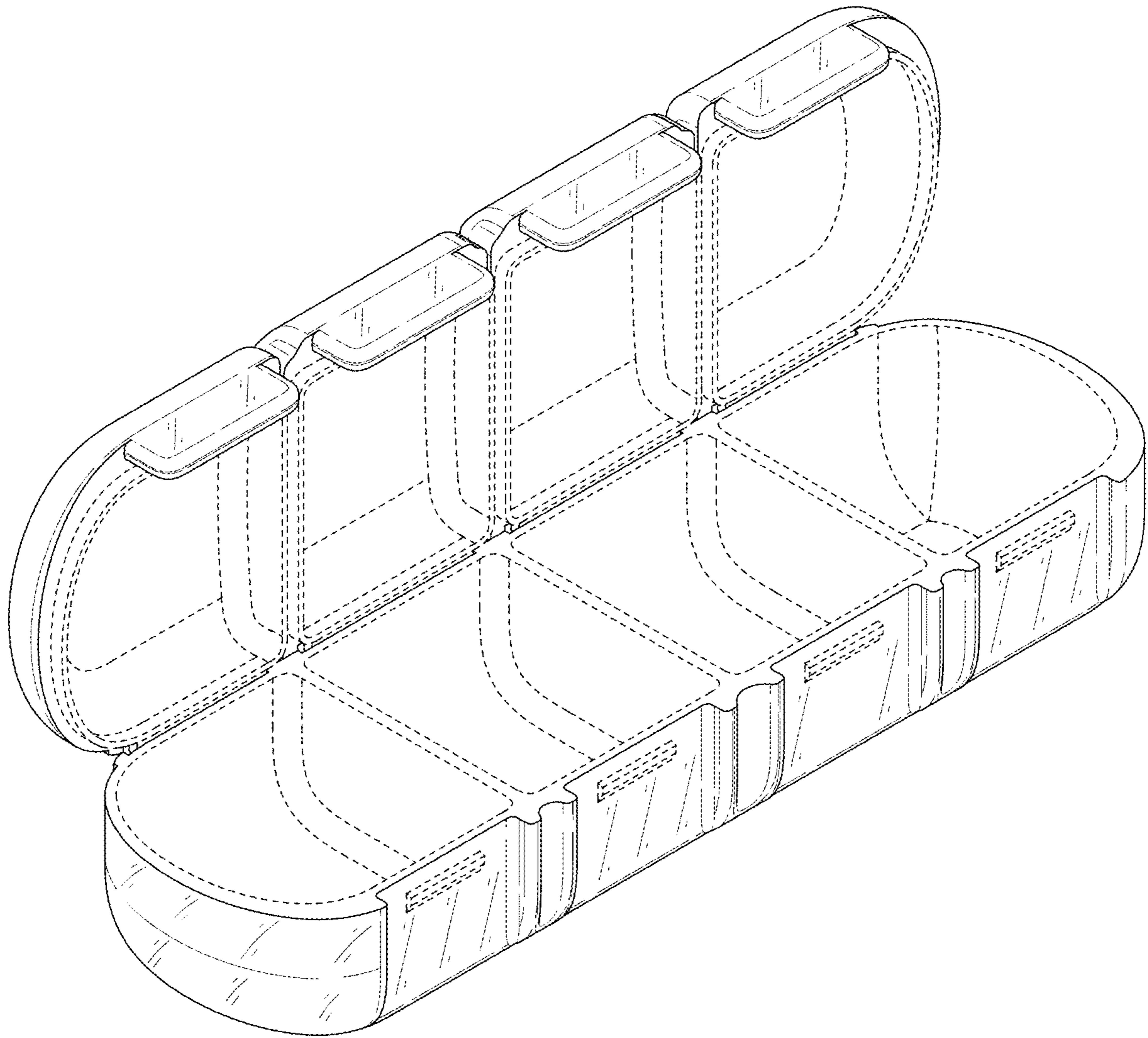


FIG. 10