



US00D973345S

(12) **United States Design Patent**
Knight

(10) **Patent No.:** **US D973,345 S**

(45) **Date of Patent:** **** Dec. 27, 2022**

(54) **SAFETY BAG**

D859,814 S * 9/2019 Seiders D3/201
D869,146 S * 12/2019 Jacobsen D3/201
D883,666 S * 5/2020 Kim D3/276

(71) Applicant: **HK Industrial—Safe A Block,**
Sudbury (CA)

* cited by examiner

(72) Inventor: **Steven John Derek Knight,** Sudbury
(CA)

Primary Examiner — Kevin K Rudzinski

Assistant Examiner — Amber J Rabie

(73) Assignee: **HK INDUSTRIAL—SAFE A**
BLOCK, Sudbury (CA)

(74) *Attorney, Agent, or Firm* — Bereskin & Parr
LLP/S.E.N.C.R.L., s.r.l.

(**) Term: **15 Years**

(57) **CLAIM**

(21) Appl. No.: **29/763,027**

The ornamental design for a safety bag, as shown and described.

(22) Filed: **Dec. 21, 2020**

(51) **LOC (13) Cl.** **03-01**

(52) **U.S. Cl.**
USPC **D3/201**

DESCRIPTION

(58) **Field of Classification Search**
USPC D3/201, 232, 263, 267, 268, 273, 276,
D3/289, 291, 300, 301, 303
CPC A45F 2005/008; A45F 3/005; A45C 11/22;
A45C 13/008; A45C 11/20; A45C 11/00
See application file for complete search history.

FIG. 1 is a perspective view of a safety bag;
FIG. 2 is a front view thereof;
FIG. 3 is a back view thereof;
FIG. 4 is a left side view thereof;
FIG. 5 is a right side view thereof;
FIG. 6 is a top view thereof;
FIG. 7 is a bottom view thereof;
FIG. 8 is a perspective view thereof, in which a flap of the safety bag is shown in an open position;
FIG. 9 is a perspective view thereof, in which the safety bag is shown in a closed position with a block held therein;
FIG. 10 is a perspective view thereof, in which the safety bag and the block is hanging in a storage position; and,
FIG. 11 is a perspective view thereof, in which the safety bag and the block is being carried.

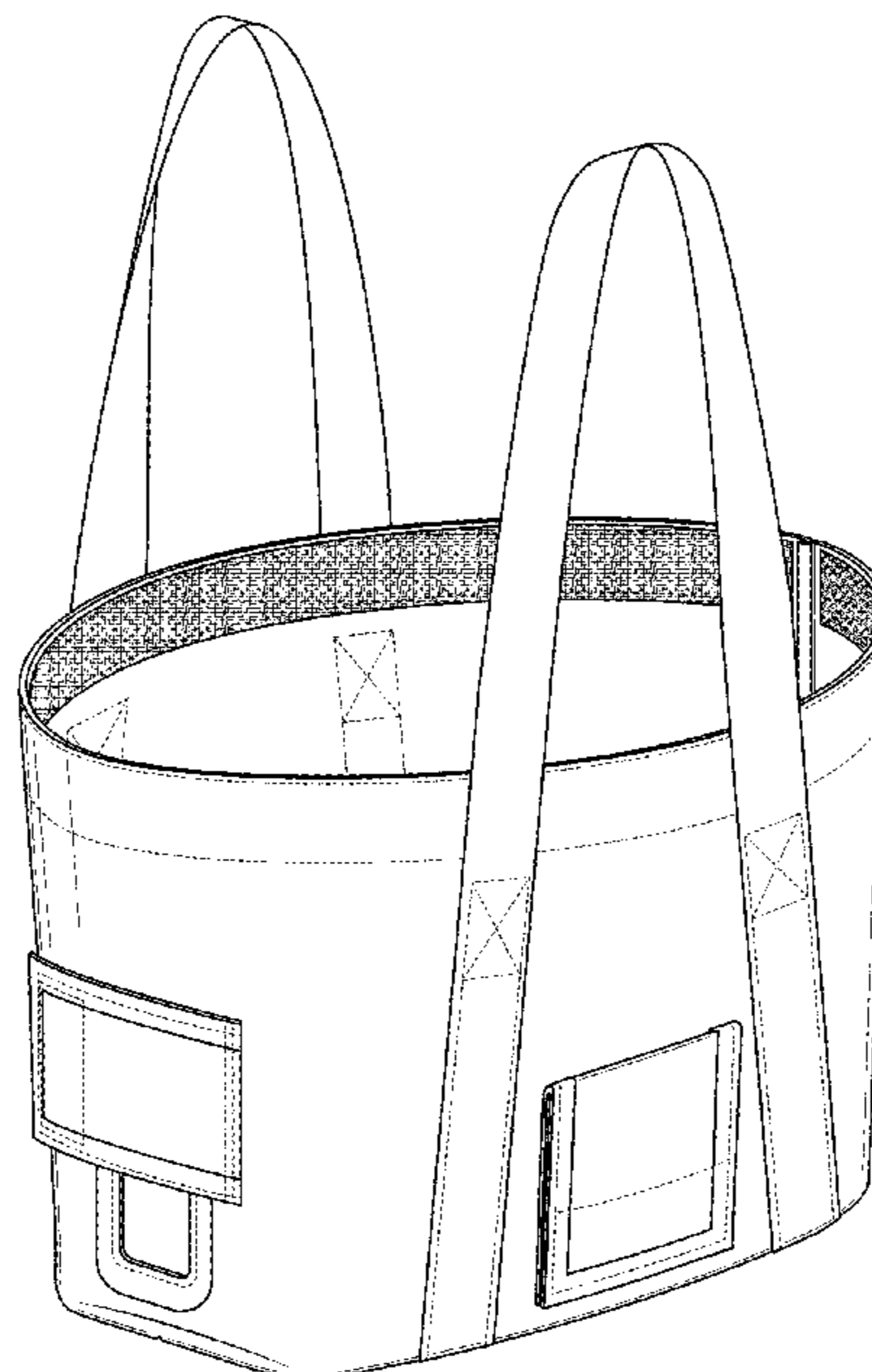
(56) **References Cited**

U.S. PATENT DOCUMENTS

D206,985 S * 2/1967 England D3/900
4,062,392 A * 12/1977 Ishii A45C 3/04
383/18
D300,986 S * 5/1989 Peregrine D3/289
D331,532 S * 12/1992 Cohen 383/18
D334,839 S * 4/1993 Dancyger D3/246
D405,265 S * 2/1999 Chapelson D3/246
D472,709 S * 4/2003 Vazquez D3/303
D596,396 S * 7/2009 McCoy D3/232
D637,809 S * 5/2011 Meldeau D3/232
D739,654 S * 9/2015 Brouard D3/276
D789,082 S * 6/2017 Barilaro D3/232

The short-dash lines in the drawings represent stitching that do not form part of the claimed design. The block, loop and person shown in dash-dot lines in FIGS. 9 to 11 represent environment of the claim when in use and forms no part of the claimed design.

1 Claim, 11 Drawing Sheets



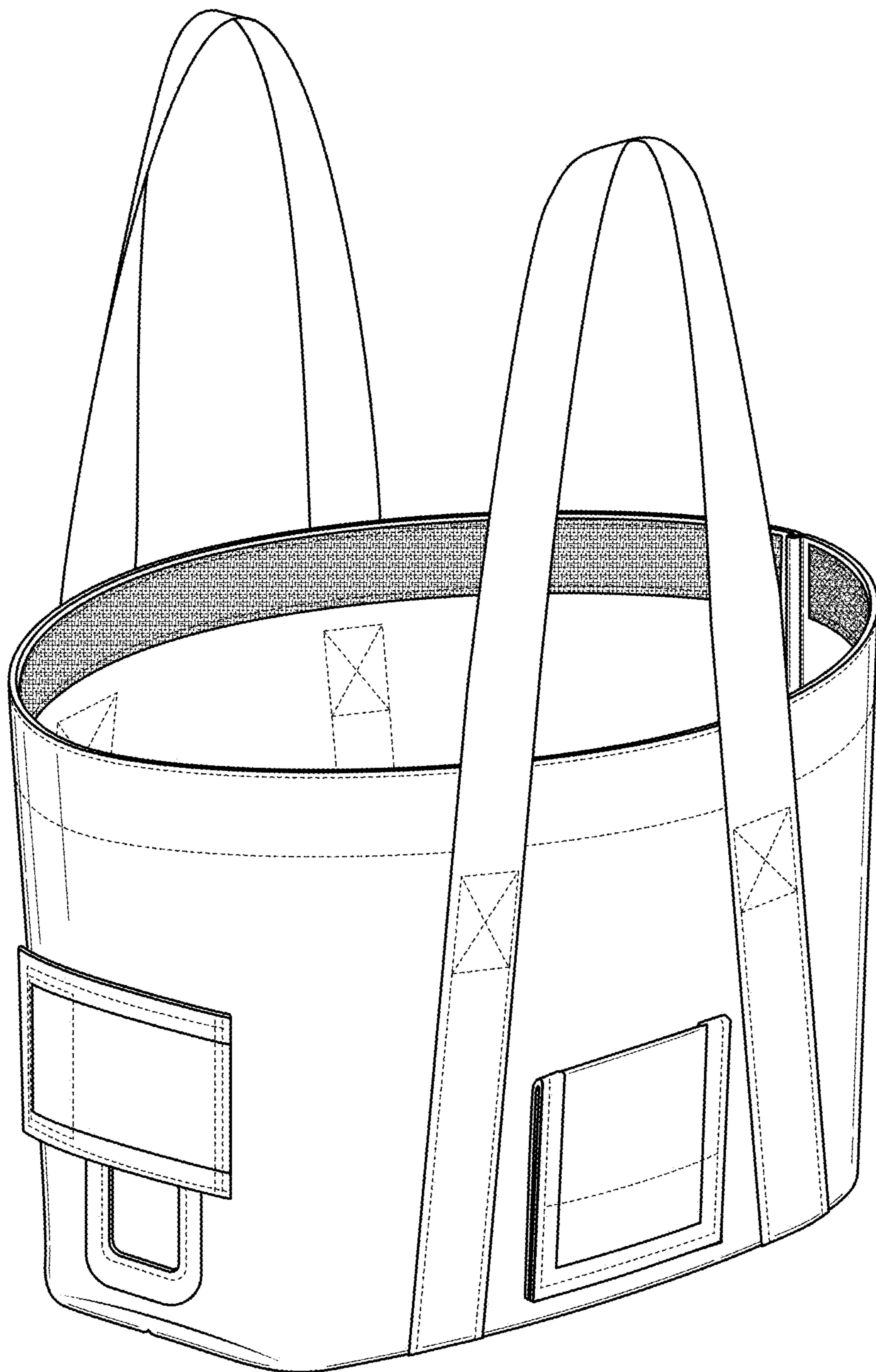


FIG. 1

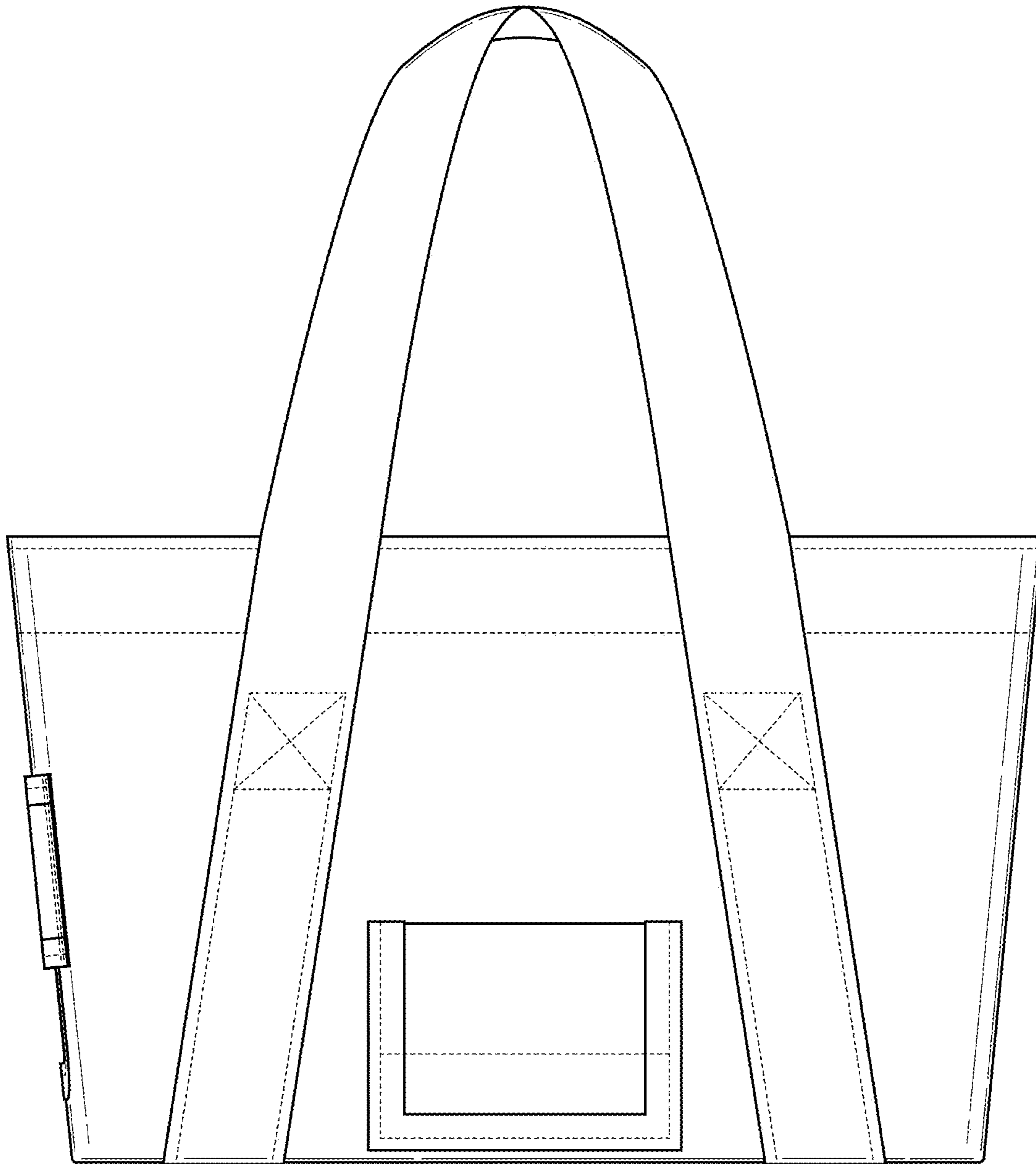


FIG. 2

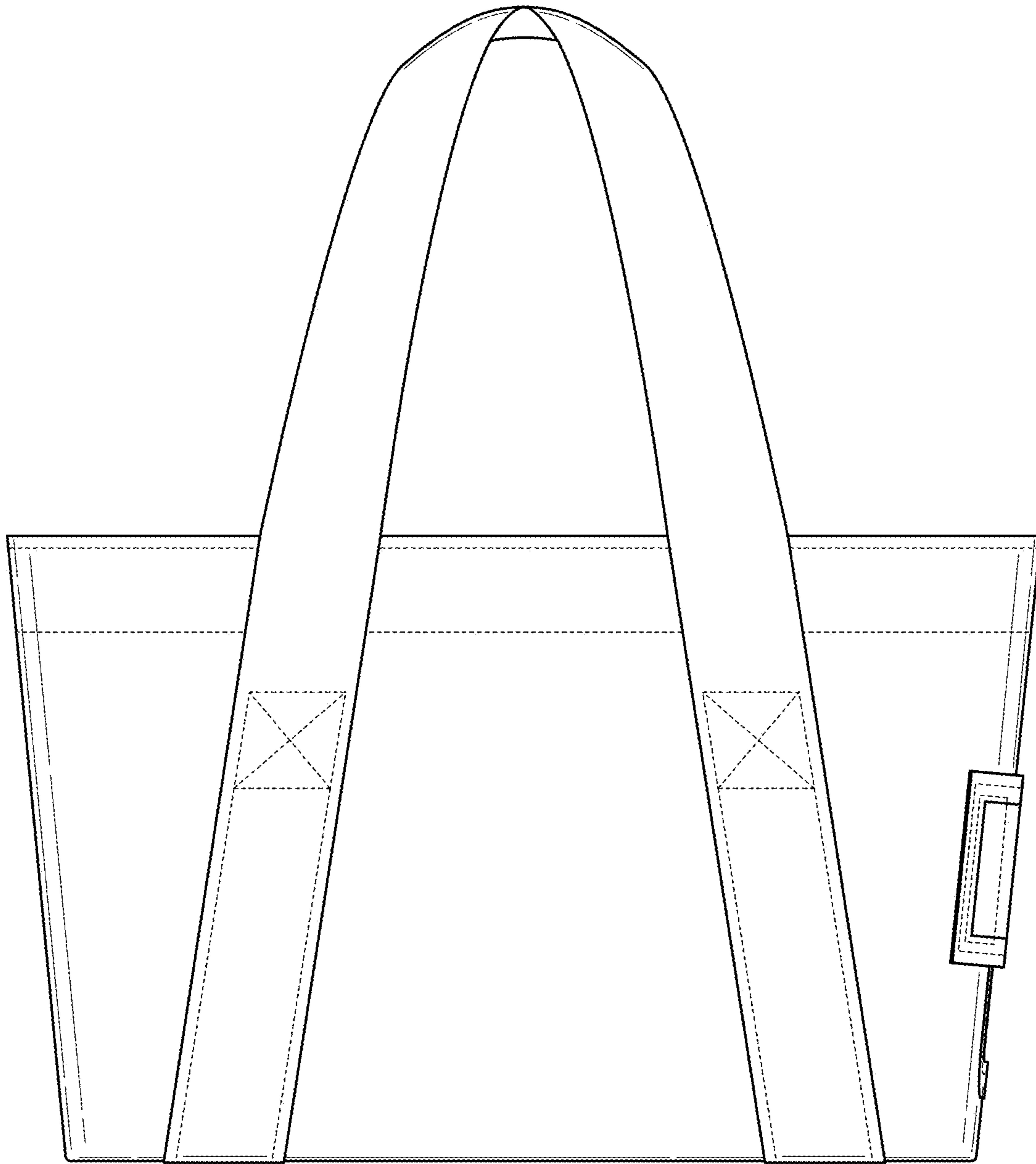


FIG. 3

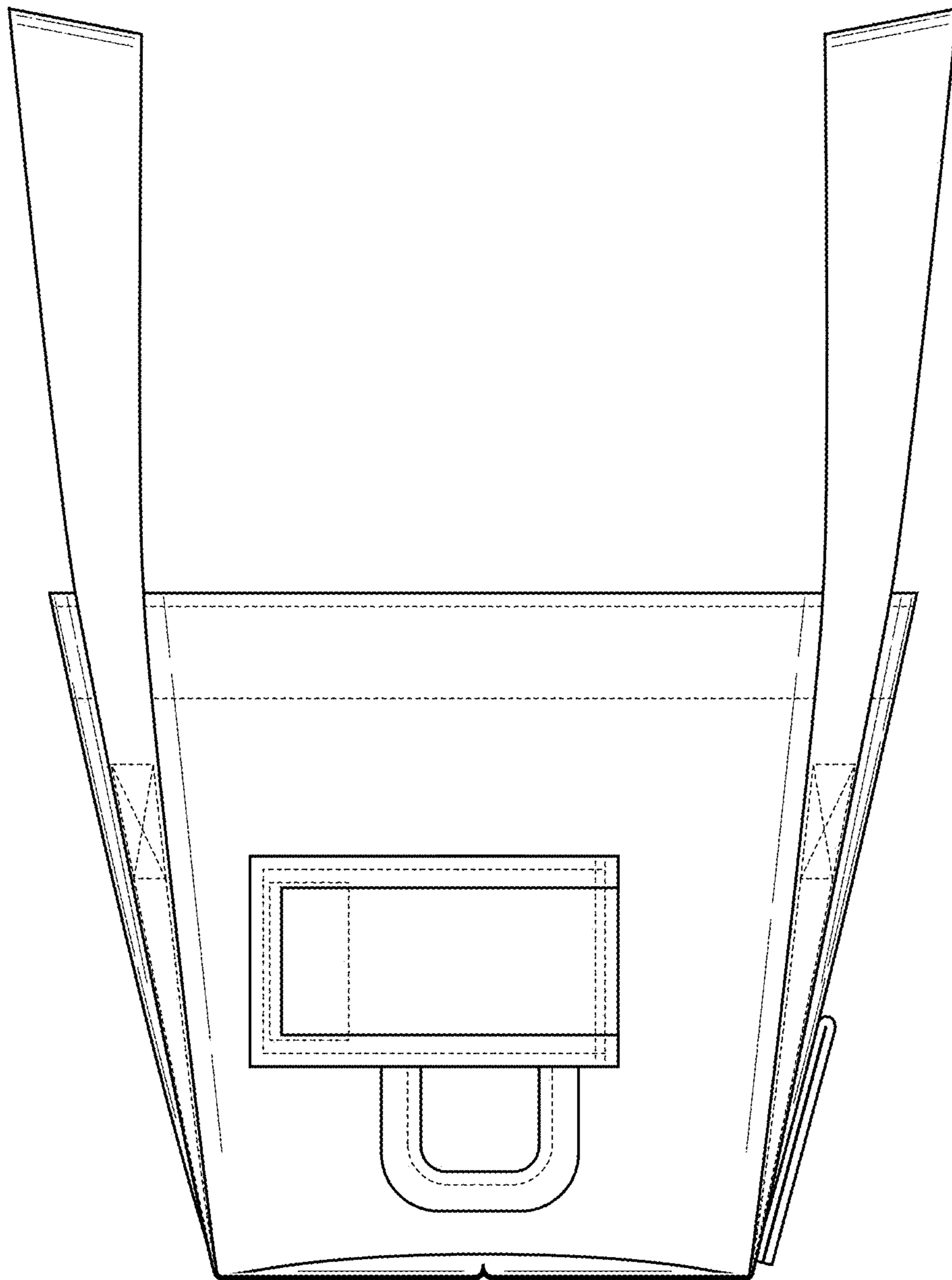


FIG. 4

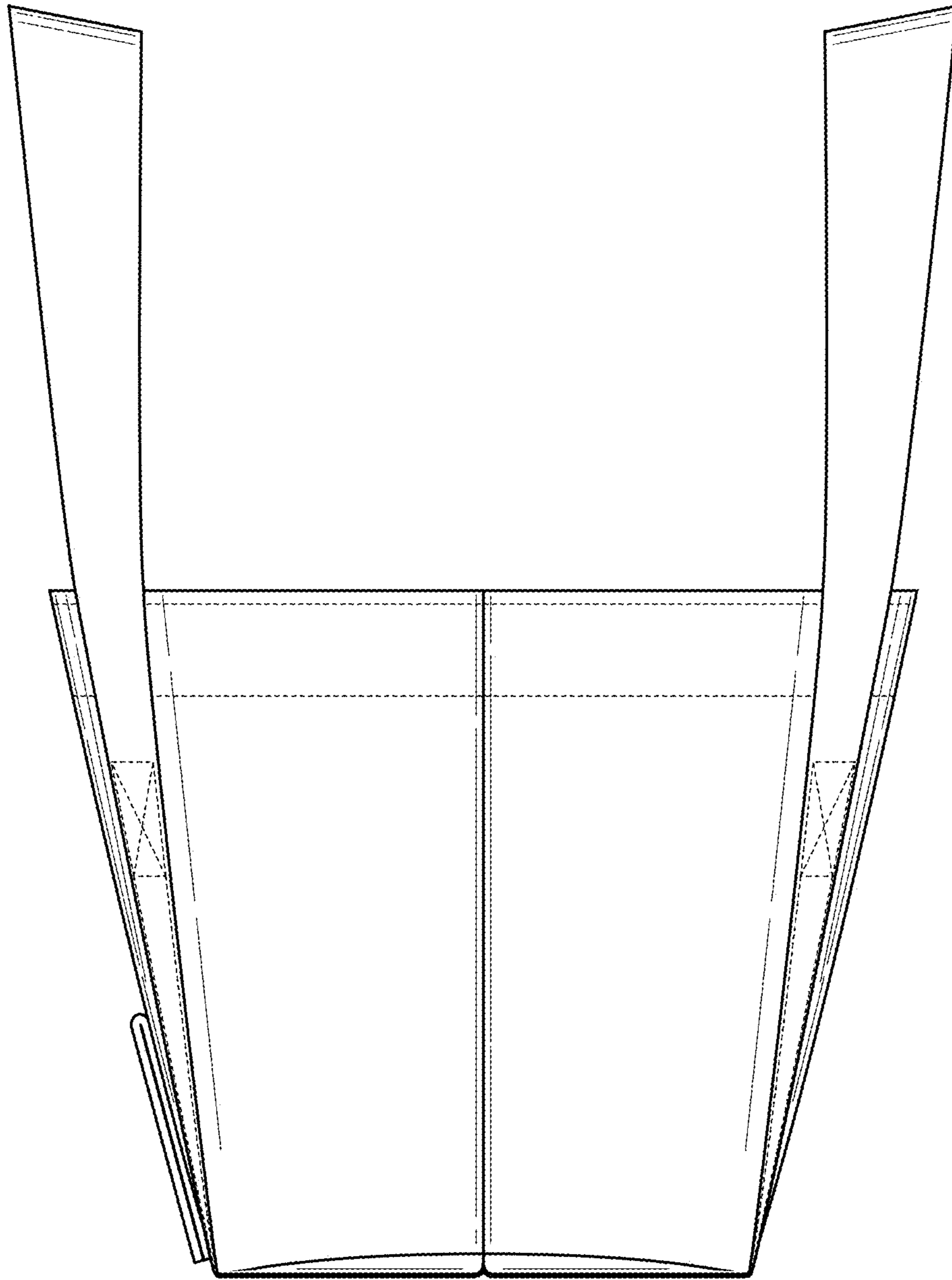


FIG. 5

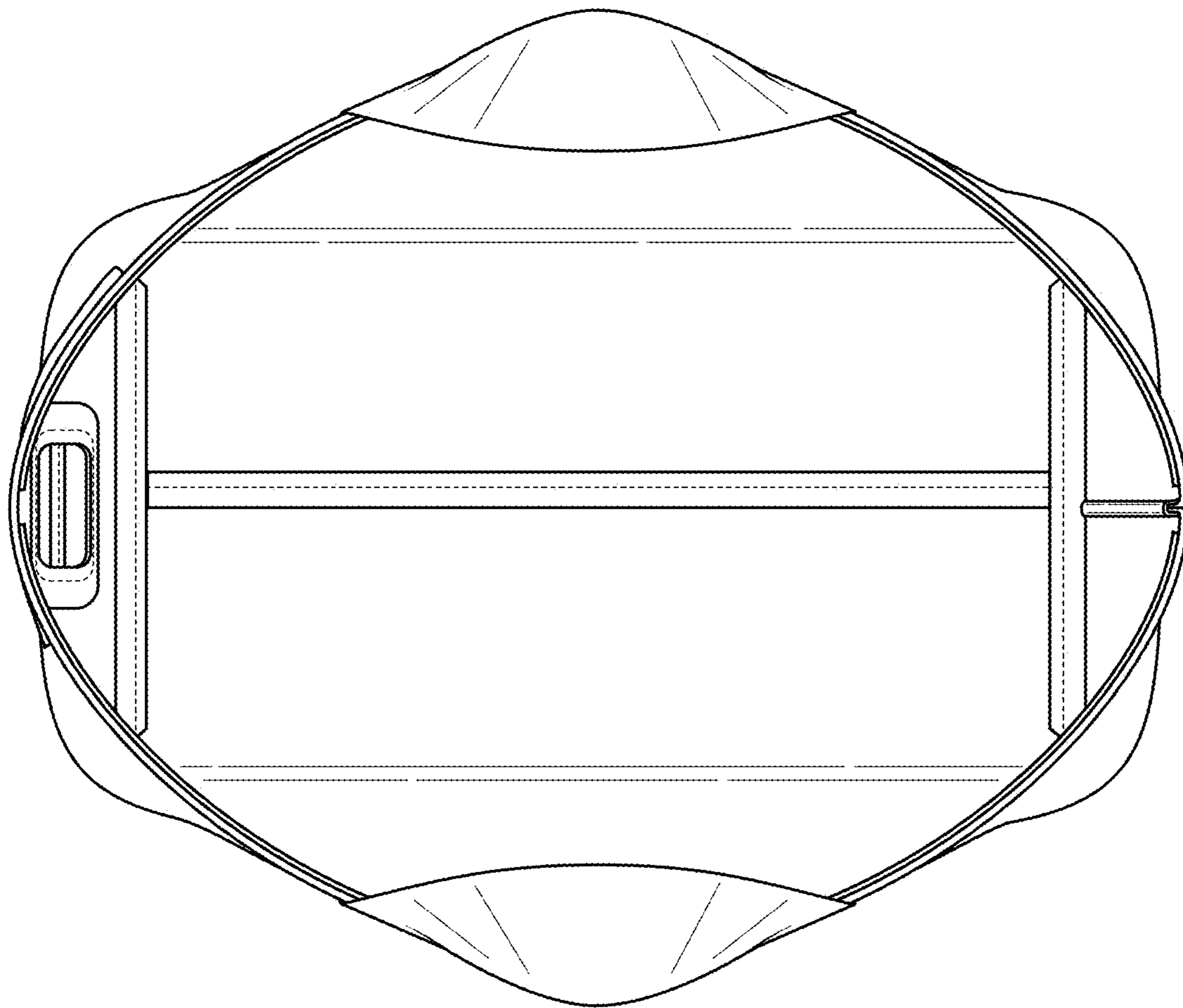


FIG. 6

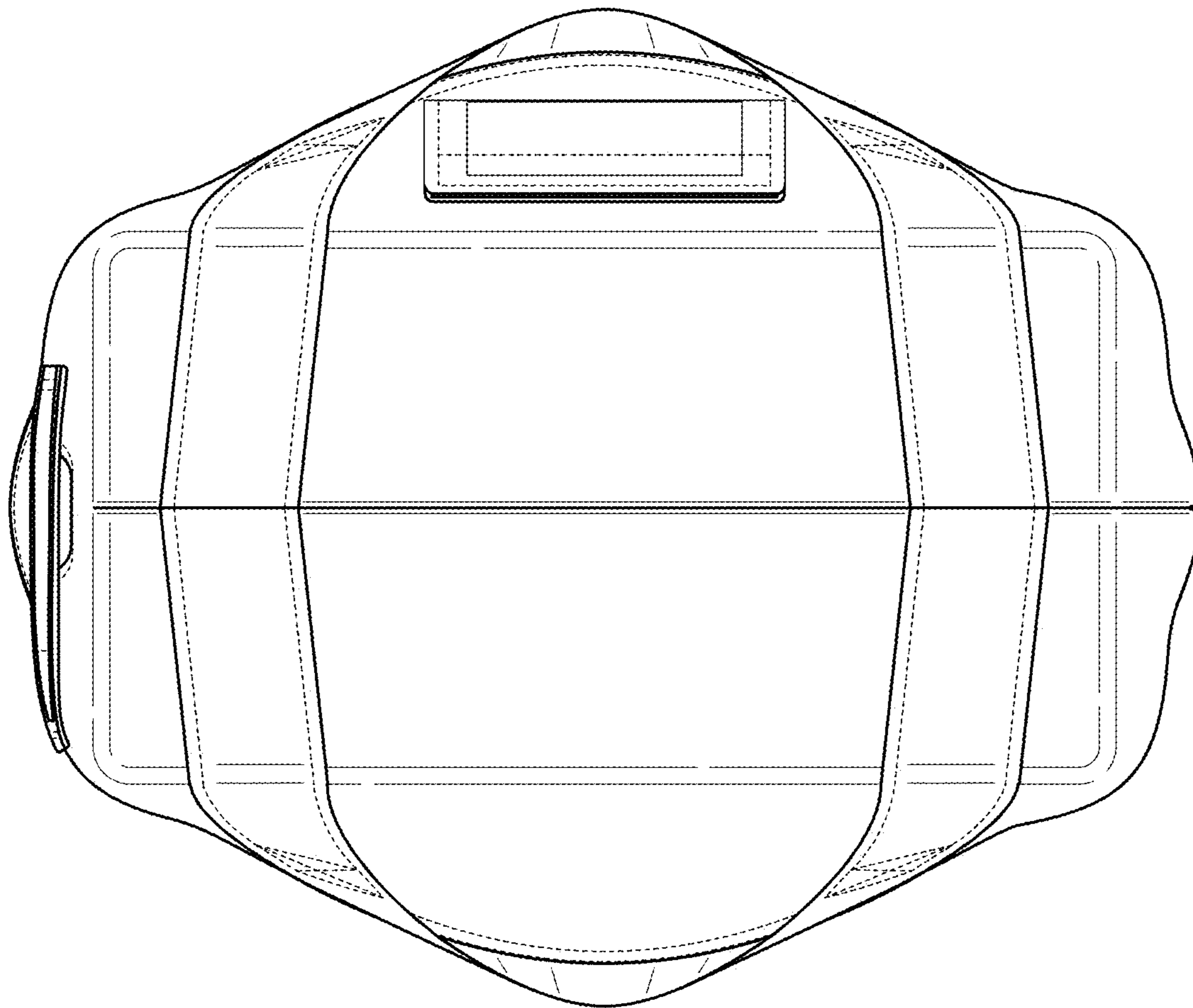


FIG. 7

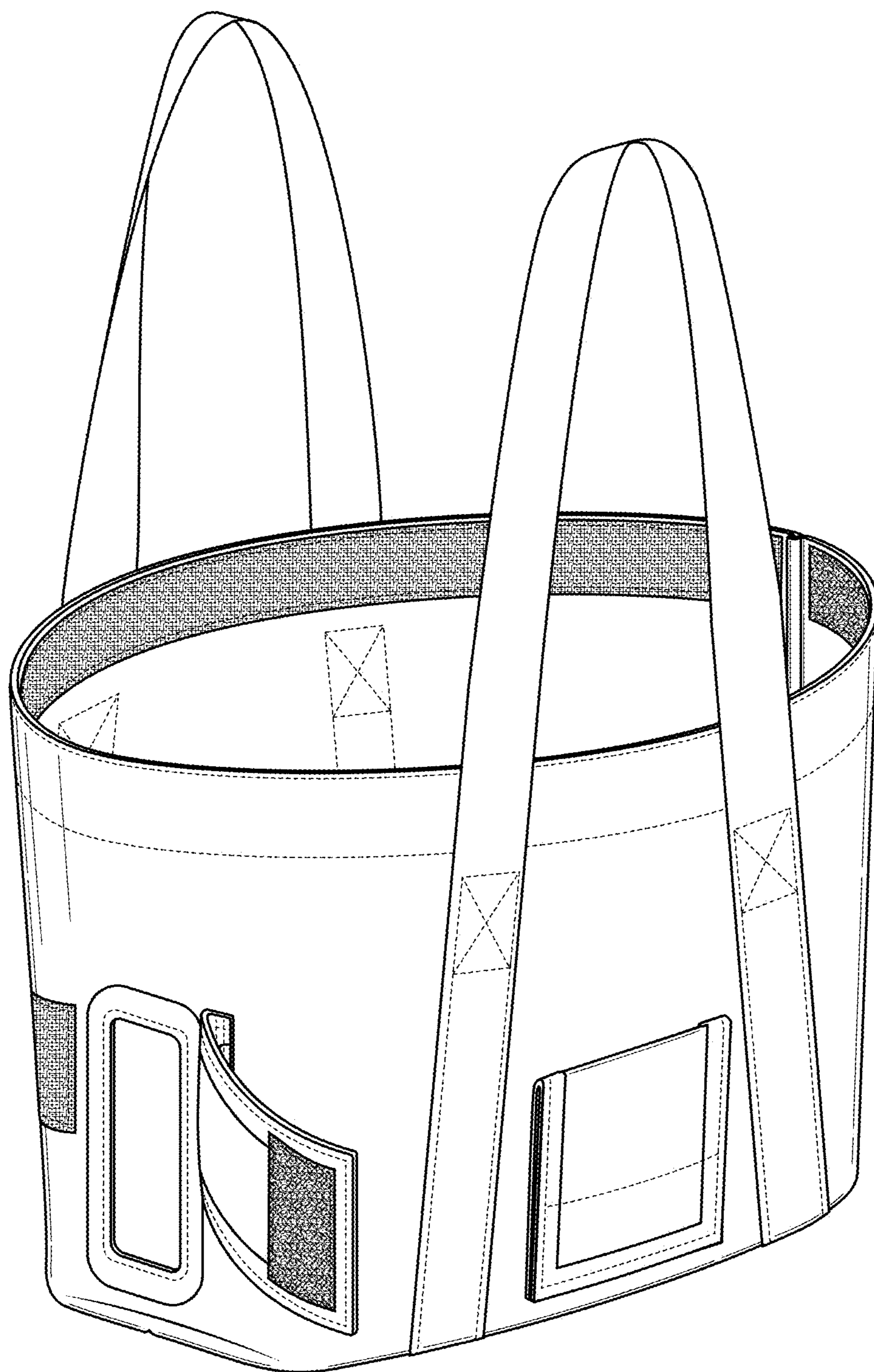


FIG. 8

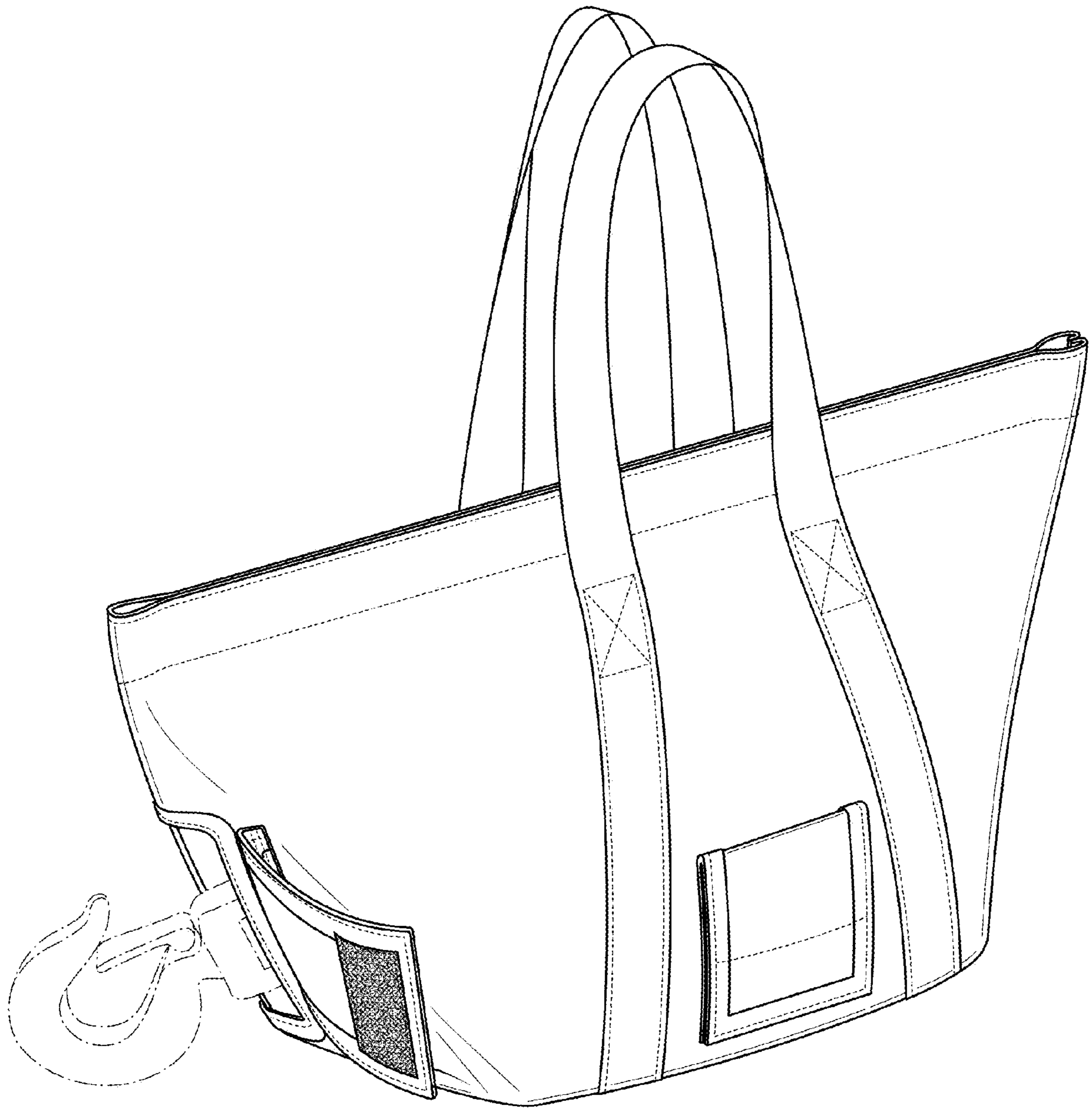


FIG. 9

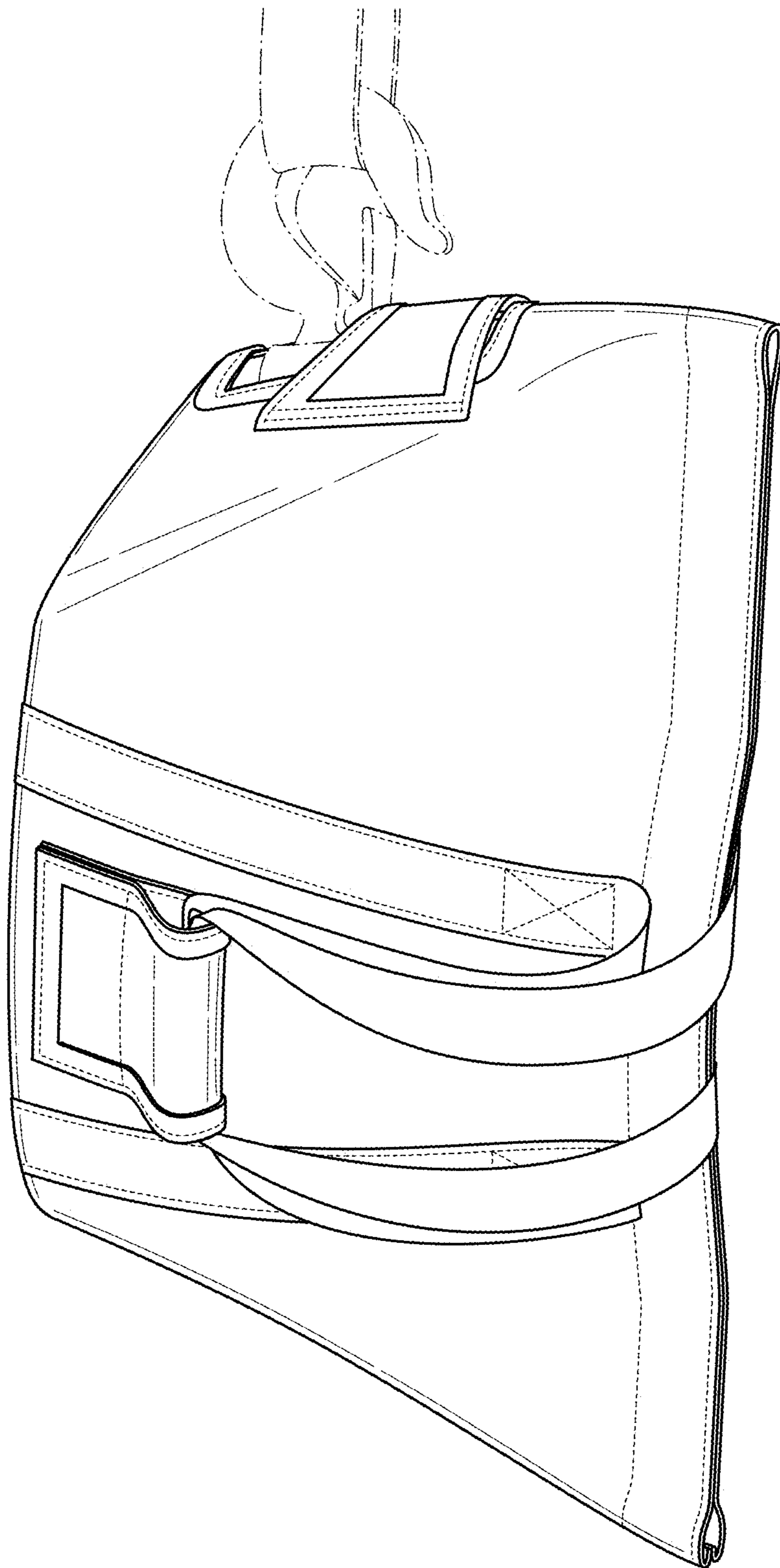


FIG. 10



FIG. 11