

US00D973337S

(12) **United States Design Patent** (10) **Patent No.:** **US D973,337 S**
Lesecq (45) **Date of Patent:** **** Dec. 27, 2022**

- (54) **SHOE**
- (71) Applicant: **NIKE, Inc.**, Beaverton, OR (US)
- (72) Inventor: **Fiona L. Lesecq**, Portland, OR (US)
- (73) Assignee: **NIKE, Inc.**, Beaverton, OR (US)
- (**) Term: **15 Years**
- (21) Appl. No.: **29/832,998**
- (22) Filed: **Mar. 31, 2022**
- (51) **LOC (13) Cl.** **02-04**
- (52) **U.S. Cl.**
USPC **D2/962; D2/906; D2/908; D2/947; D2/951**
- (58) **Field of Classification Search**
USPC D2/962, 906, 914, 915, 641-643, 999, D2/902, 908, 925, 946-961; 36/3 B, 36/22 R, 24.5, 25 R, 28, 32 R, 59 C, 36/67 A, 103
CPC A43C 15/09; A43C 15/00; A43C 13/04; A43C 15/16; A43B 5/025; A43B 5/001; A43B 5/02; A43B 5/185; A43B 5/06
See application file for complete search history.

- D281,370 S 11/1985 Peel
 - 4,590,693 A 5/1986 Kawashima et al.
 - D322,355 S 12/1991 Arai
 - D323,738 S 2/1992 Eisenbach
 - D368,360 S * 4/1996 Wolfe D2/962
 - D387,892 S * 12/1997 Briant D2/962
 - D389,298 S * 1/1998 Briant D2/962
 - D461,297 S * 8/2002 Lancon D2/954
 - 6,973,746 B2 * 12/2005 Auger A43B 1/0072 36/67 A
 - D525,416 S 7/2006 Auger et al.
- (Continued)

OTHER PUBLICATIONS

Nike Jr. Phantom GT2 Club MG Cleats, Nike.com, [online], [site visited Aug. 15, 2022]. <URL: <https://www.nike.com/t/jr-phantom-gt2-club-mg-little-big-kids-multi-ground-soccer-cleats-BZWgB2/DC0823-808>> (Year 2022) (Year: 2022).*

(Continued)

Primary Examiner — Jonathan J Han
Assistant Examiner — Molly K. Orzechowski
 (74) *Attorney, Agent, or Firm* — Banner & Witcoff, Ltd.

(57) **CLAIM**

The ornamental design for a shoe, as shown and described.

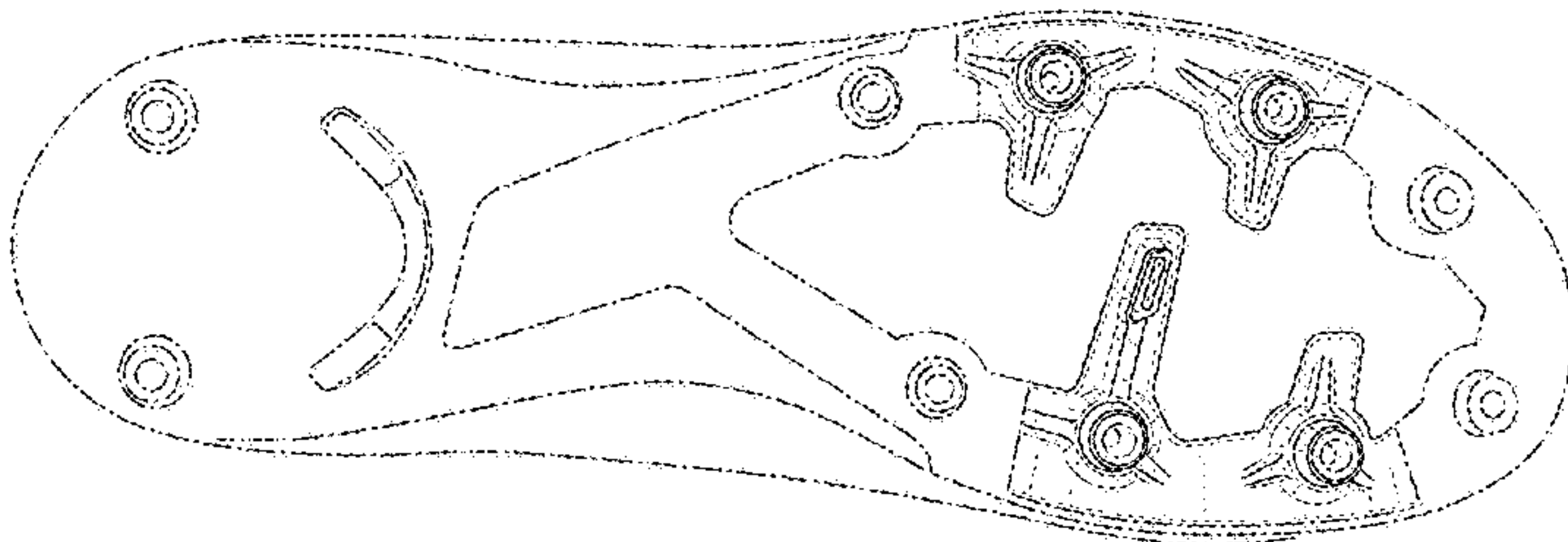
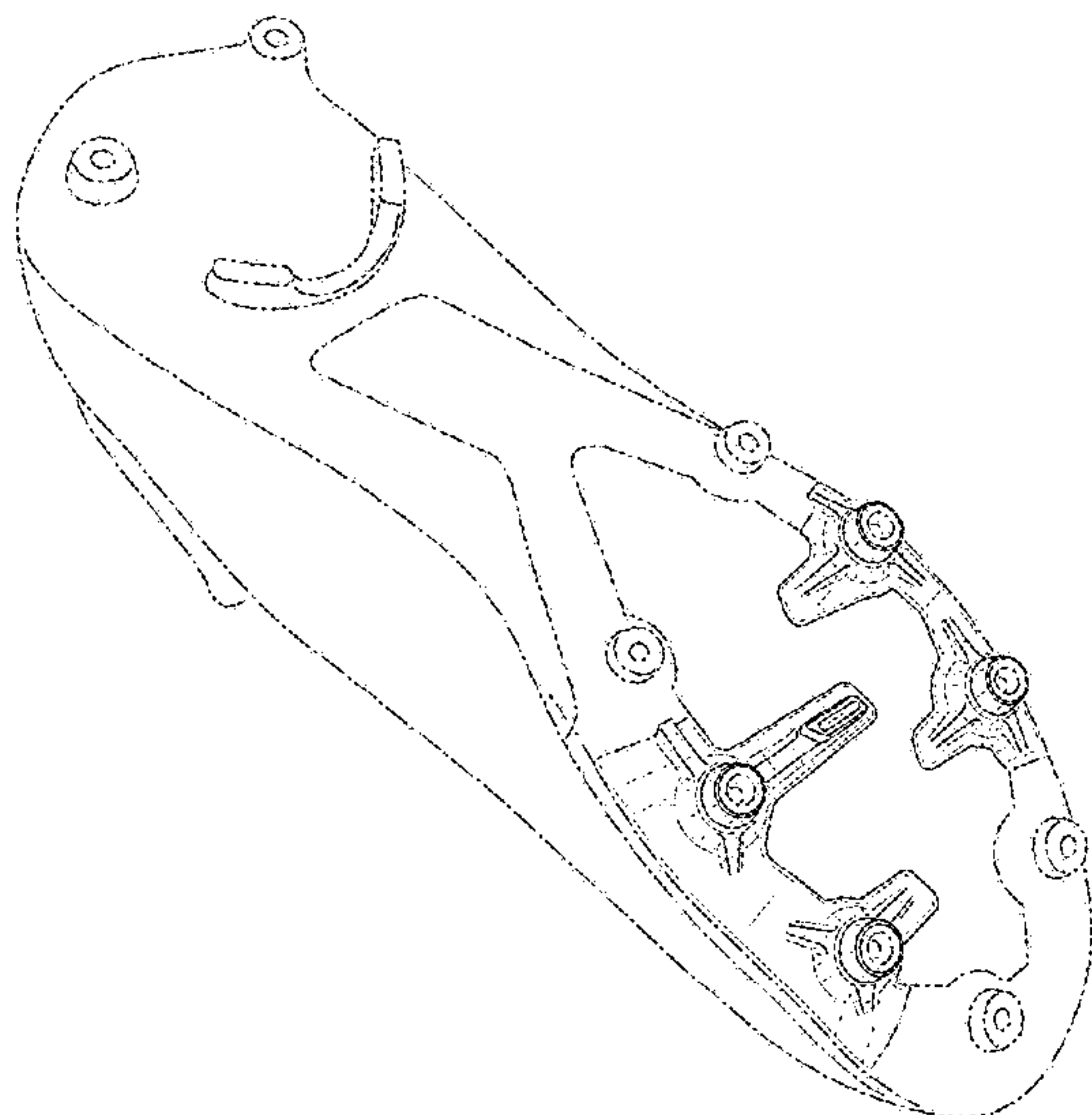
DESCRIPTION

FIG. 1 is a bottom front perspective view of a shoe showing my new design;
 FIG. 2 is a bottom view thereof; and,
 FIG. 3 is a bottom rear perspective view thereof.
 The broken lines immediately adjacent to the shaded area define the bounds of the claimed design and form no part thereof. The broken line showing of the four circles on top of the cleats form no part of the claimed design. The broken lines depicting the remainder of the shoe form no part of the claimed design.

1 Claim, 3 Drawing Sheets

(56) **References Cited**
U.S. PATENT DOCUMENTS

- D25,594 S 6/1896 Plant
- D61,453 S 9/1922 Todd
- D73,143 S 7/1927 Lee
- D124,715 S 1/1941 Cutler
- D147,383 S 8/1947 Shaffer
- D163,674 S 6/1951 Bovay
- 3,127,687 A 4/1964 Hollister
- D201,865 S 8/1965 Bingham, Jr. et al.
- D208,761 S 10/1967 Gottlieb
- D271,159 S 11/1983 Muller-Feigelstock
- D272,390 S 1/1984 Muller-Feigelstock
- D272,772 S 2/1984 Kohno
- 4,454,662 A 6/1984 Stubblefield



(56)

References Cited

U.S. PATENT DOCUMENTS

D556,432	S	12/2007	Gerber	
D562,537	S	2/2008	Apanian	
D573,779	S	7/2008	Stauffer	
D583,542	S *	12/2008	Gerber	D2/962
D651,386	S	1/2012	Wilken et al.	
D675,415	S *	2/2013	Minami	D2/962
D675,416	S	2/2013	Minami	
D688,037	S	8/2013	Dekovic et al.	
D690,911	S	10/2013	Cassingham et al.	
9,456,659	B2 *	10/2016	Auger	A43B 13/223
D778,556	S	2/2017	Lee et al.	
D778,557	S	2/2017	Lee et al.	
D779,178	S	2/2017	Lee et al.	
D779,803	S	2/2017	Lee	
D783,248	S	4/2017	Woodman	
D794,299	S	8/2017	Greenspan	
D798,562	S	10/2017	de Montgolfier	
D800,435	S	10/2017	Greenspan	
D801,021	S	10/2017	Greenspan	
D804,790	S *	12/2017	de Montgolfier	D2/954
D811,710	S *	3/2018	Sisson	D2/962
10,070,686	B2 *	9/2018	Schiller	A43B 13/04
10,104,938	B2 *	10/2018	Auger	A43B 13/26
D840,651	S	2/2019	Lee et al.	
D840,654	S	2/2019	Whiteman	
D844,310	S	4/2019	de Montgolfier et al.	
D846,852	S	4/2019	Lee	
D853,101	S	7/2019	de Montgolfier et al.	
D854,803	S	7/2019	de Montgolfier et al.	
D854,804	S	7/2019	Woodman	
D855,294	S *	8/2019	Ilian	D2/906
D862,858	S	10/2019	Roman	
D864,542	S	10/2019	Fallon et al.	
D864,543	S	10/2019	Stewart	
D864,544	S	10/2019	Stewart	
D864,545	S *	10/2019	Stewart	D2/962
D864,546	S	10/2019	Stewart	
D897,085	S	9/2020	Fallon et al.	
D899,744	S	10/2020	Lee	
D899,745	S	10/2020	Lee	
D900,457	S	11/2020	Lee	
D901,136	S	11/2020	Noirhomme et al.	
D901,142	S	11/2020	Strek	
D901,868	S *	11/2020	Van Atta	D2/962
D912,954	S	3/2021	Brown	
D913,663	S *	3/2021	Essilfie-Taylor	D2/947
D937,552	S	12/2021	Remy	
D940,444	S *	1/2022	Wilkinson	D2/962
D946,254	S	3/2022	Remy	
D948,855	S	4/2022	Lee	
D948,856	S	4/2022	Lee	
11,297,895	B2 *	4/2022	Bunnell	A43B 13/188
D952,307	S *	5/2022	Rémy	D2/962
D956,398	S *	7/2022	Roman	D2/947
D956,399	S *	7/2022	Roman	D2/947
D956,400	S *	7/2022	Roman	D2/947
2013/0047465	A1 *	2/2013	Auger	A43C 15/161 36/66
2013/0326911	A1 *	12/2013	Baucom	A43B 13/26 36/103
2013/0340295	A1 *	12/2013	Adami	A43B 13/04 12/146 B
2014/0026441	A1 *	1/2014	Stauffer	A43C 15/162 36/103
2014/0059896	A1 *	3/2014	Weidl	A43B 1/0072 36/25 R
2016/0058119	A1 *	3/2016	Dyer	A43B 3/0036 12/142 T
2016/0286904	A1 *	10/2016	Bauduin	A43C 15/161

OTHER PUBLICATIONS

Nike Phantom GT2 Academy Dynamic Fit FG Cleats, DicksSporting-Goods.com, [online], [site visited Aug. 15, 2022]. <URL: <https://www.dickssportinggoods.com/p/nike-phantom-gt2-academy-dynamic-fit-fg-soccer-cleats-22nikaphntmgt2cddntha/>> (Year 2022) (Year: 2022).*

22nikaphntmgt2cddntha> (Year 2022) (Year: 2022).*

Nike Men's Vapor Edge Team Football Cleats, Amazon.com, [online], [site visited Aug. 15, 2022]. <URL: https://www.amazon.com/Nike-Vapor-Football-Cleats-Royal/dp/B09RW5HQ3J?source=ps-sl-shoppingads-lpcontext&ref_=fplfs&smid=A2KA1JKW9974IC&th=1> (Year 2020) (Year: 2020).*

"Nike Hypervenom Phantom 3 DF—Boot Review"; Soccer Cleats 101; retrieved Mar. 29, 2022; published Feb. 20, 2017; URL: <<https://www.soccercleats101.com/2017/02/20/nike-hypervenom-phantom-3-df-boot-review/>>.

"Virgil Abloh's Off White Designs Special Colorway Of The Nike Vapor 12 Elite Soccer Cleat"; Sneaker News; retrieved Jul. 23, 2020; published Mar. 5, 2018; URL: <<https://sneakernews.com/2018/03/05/off-white-virgil-abloh-nike-vapor-12-elite-soccer-cleat-orange/>>.

"Nike Mercurial Superfly 360 Review: The best speed boot"; Boot Hype; retrieved Mar. 29, 2022; published May 12, 2018; URL: <<https://boothype.com/2018/12/05/review-nike-mercurial-superfly-360-elite/>>.

"Deep Dive Instep Review: Nike Mercurial Vapor 13"; Soccer Pro—The Instep; retrieved Mar. 29, 2022; published Jul. 30, 2019; URL: <<https://www.soccerpro.com/theinstep/deep-dive-instep-review-nike-mercurial-vapor-13/>>.

"Nike Mercurial Vapor 13 Pro Indoor New Lights Pack Review"; Soccer Reviews For You; retrieved Aug. 25, 2021; published Aug. 1, 2019; URL: <<https://soccerreviewsforyou.com/2019/08/nike-mercurial-vapor-13-pro-indoor-new-lights-pack-review/>>.

"Laced Up: Nike Mercurial Superfly 7 Review"; Soccer Bible; retrieved Jul. 23, 2020; published Aug. 22, 2019; URL: <<https://www.soccerbible.com/performance/football-boots/2019/08/laced-up-nike-mercurial-superfly-7-review/>>.

"Nike Mercurial Vapor 13 Elite Boot Review"; Soccer Cleats 101; retrieved Jul. 23, 2020; published Oct. 3, 2019; URL: <<https://www.soccercleats101.com/2019/10/03/nike-mercurial-vapor-13-elite-boot-review/>>.

"What Nike Mercurial Should You Buy?"; Soccer.com; retrieved Aug. 25, 2021; published Feb. 25, 2021; URL: <<https://www.soccer.com/guide/nike-mercurial-tiers>>.

"Nike Unisex-Adult Superfly 8 Academy Sg-pro Ac Soccer Shoe"; Amazon; retrieved Aug. 25, 2021; published date unknown, but prior to application filing date; URL: <<https://www.amazon.com/Nike-Unisex-Adult-Superfly-Academy-Sg-pro/dp/B08QB3TCS3?th=1>>.

"Nike Mercurial Superfly 8 Academy TF"; Nike; retrieved Aug. 25, 2021; published date unknown, but prior to application filing date; URL: <<https://www.nike.com/t/mercurial-superfly-8-academy-tf-turf-soccer-shoes-nWW4Kf/CV0953-760>>.

"Nike Mercurial Vapor 14 Academy AG"; R-Gol; retrieved Aug. 25, 2021; published date unknown, but prior to application filing date; URL: <<https://www.r-gol.com/en/nike-mercurial-vapor-14-academy-ag.p-141648>>.

"Nike Jr. Mercurial Vapor 13 Academy TF Little/Big Kids' Artificial-Turf Soccer Shoe"; Best Buy Soccer; retrieved Aug. 25, 2021; published date unknown, but prior to application filing date; URL: <<https://www.bestbuysoccer.com/nike-jr-mercurial-vapor-13-academy-tf-little-big-kids-artificial-turf-soccer-shoe.html#color=1907&Size=1954>>.

"Nike Mercurial Superfly 7 Elite MDS FG"; Nike; retrieved Jul. 23, 2020; published date unknown, prior to Jul. 23, 2020; URL: <<https://www.nike.com/t/mercurial-superfly-7-elite-mds-fg-firm-ground-soccer-cleat-Xgb9Qw>>.

"Nike Phantom Venom Academy FG"; Soccer Village; retrieved Mar. 29, 2022; published date unknown, but prior to application filing date; URL: <<https://www.soccervillage.com/ao0566-810.html>>.

Nike Footwear Catalog, 2014 Fall City Specialty Footwear Best Final, p. 11, published Feb. 2013, Nike, Inc., USA.

Nike Footwear Catalog, 2018 Holiday Baseball Field Sports, p. 23, published May 2016, Nike, Inc., USA.

(56)

References Cited

OTHER PUBLICATIONS

Nike Footwear Catalog, 2018 Holiday Baseball Field Sports, p. 29,
published May 2016, Nike, Inc., USA.

Nike Footwear Catalog, 2019 Spring American Football, p. 10,
published date unknown, but prior to the filing date of the present
application, Nike, Inc., USA.

* cited by examiner

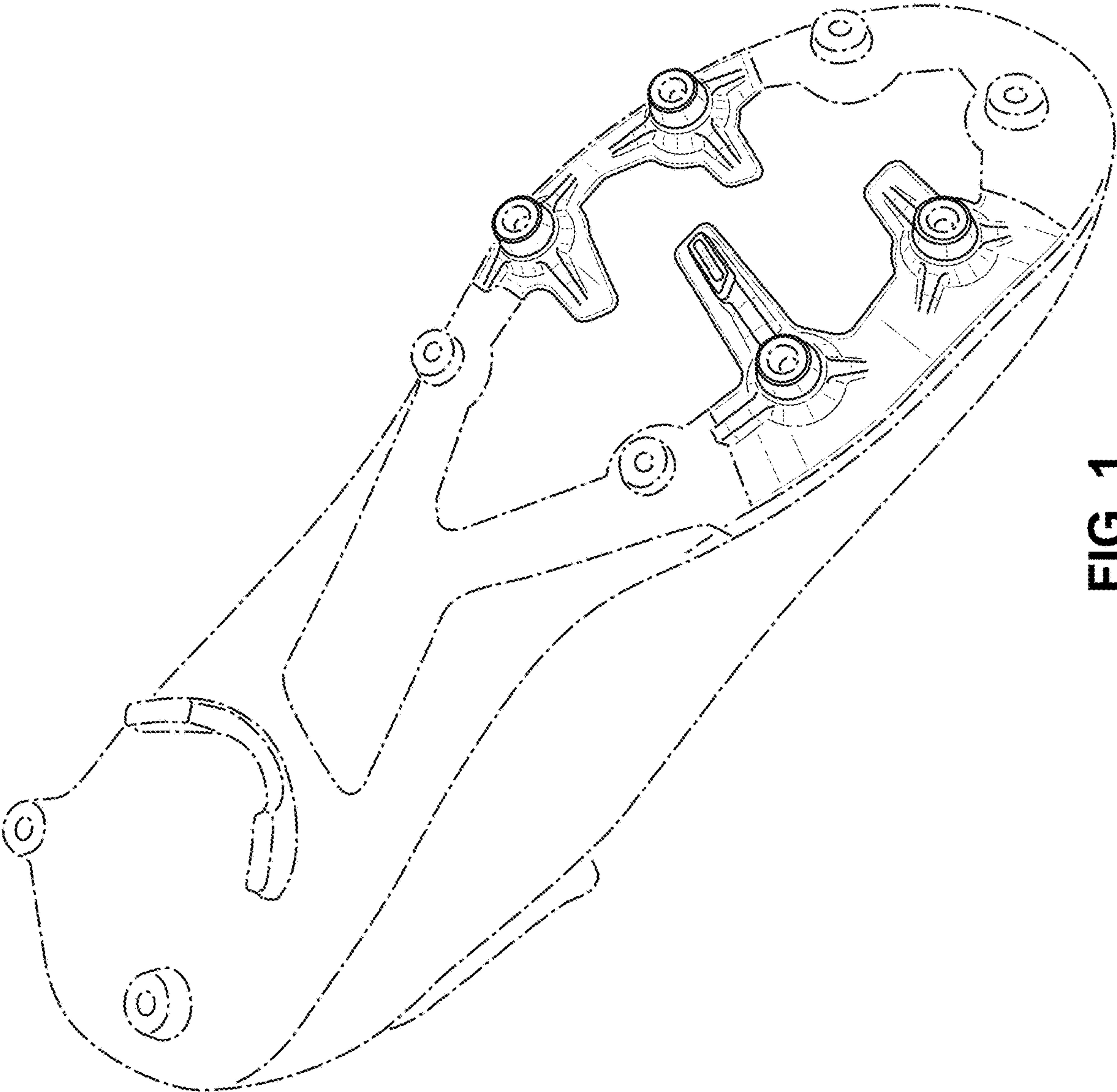


FIG. 1

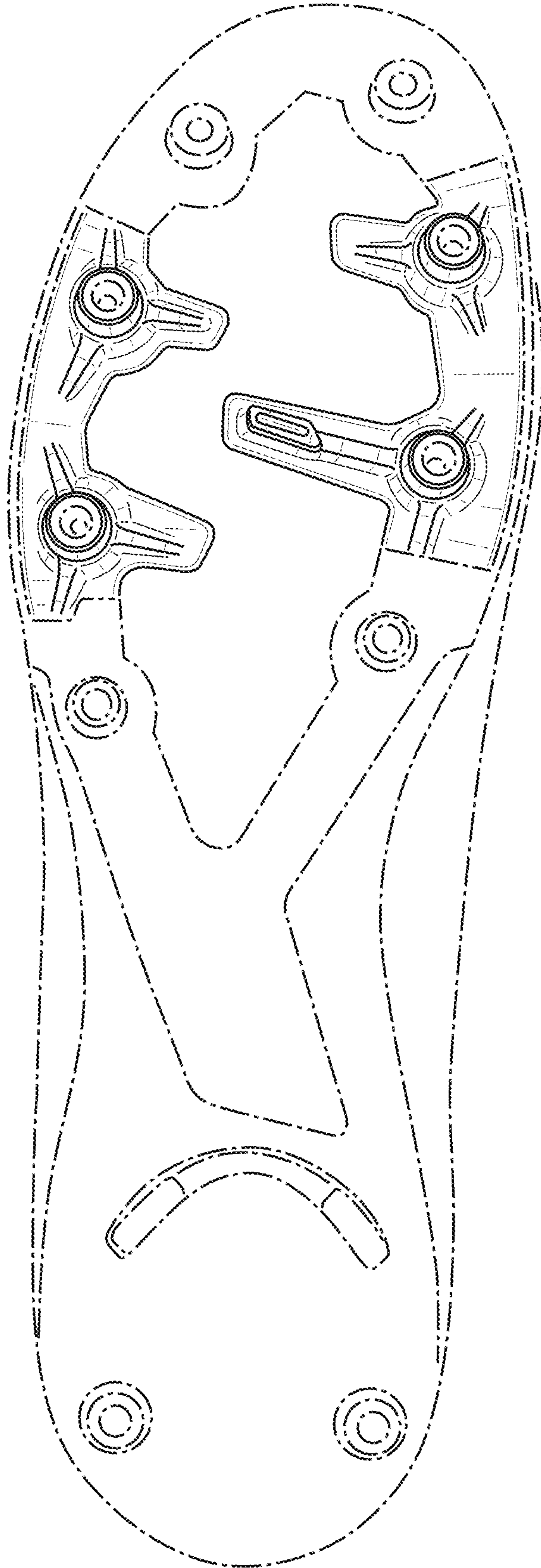


FIG. 2

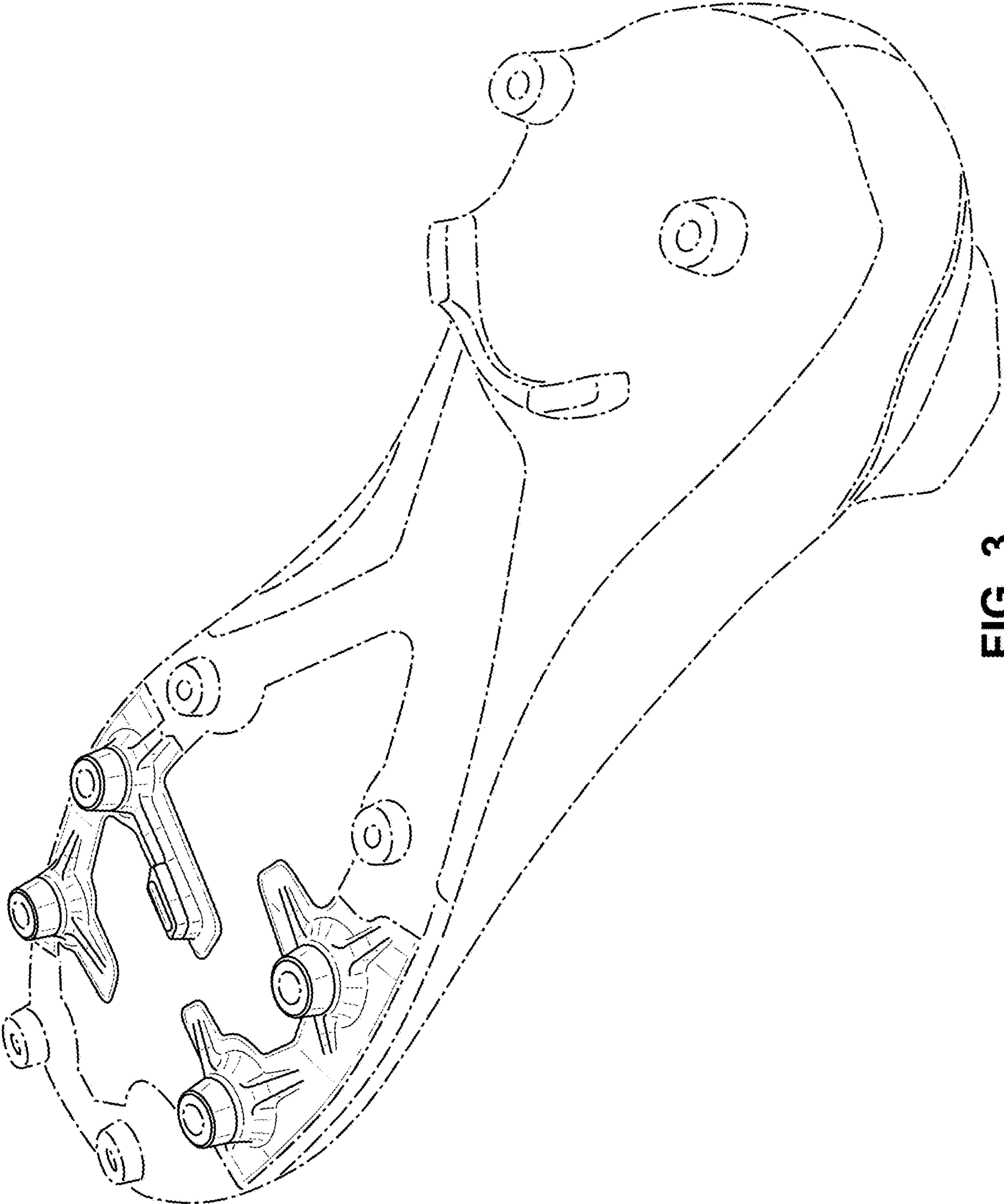


FIG. 3