



US00D973305S

(12) **United States Design Patent** (10) **Patent No.:** **US D973,305 S**
Banas (45) **Date of Patent:** **** Dec. 27, 2022**

(54) **WAISTBAND EXPANDER**
(71) Applicant: **Sylwia Banas**, Mt. Prospect, IL (US)
(72) Inventor: **Sylwia Banas**, Mt. Prospect, IL (US)
(**) Term: **15 Years**

10,856,596 B1 * 12/2020 Banas A44B 19/301
D910,273 S * 2/2021 Wexelbaum D2/639
D940,437 S * 1/2022 Martin A41F 1/008
D2/853
D942,739 S * 2/2022 Banas D2/639
D946,241 S * 3/2022 Kjar D2/853

(Continued)

(21) Appl. No.: **29/718,353**
(22) Filed: **Dec. 23, 2019**
(51) **LOC (13) Cl.** **02-07**
(52) **U.S. Cl.**
USPC **D2/639**
CPC **A44B 19/301** (2013.01)
(58) **Field of Classification Search**
USPC D2/624, 625, 626, 627, 628, 639; D11/5,
D11/13; 2/237, 323
CPC A41F 9/02; A41F 9/002; A41F 9/025
See application file for complete search history.

OTHER PUBLICATIONS

“MAEBAND Maternity Belly Band | Pregnancy Belt, Waistband Extender, Pregnancy Clothes, Maternity Jeans” as downloaded from the Internet website “https://www.amazon.com/Maeband-Maternity-Pregnancy-Waistband-Extender/dp/B01N9417XA” on Dec. 23, 2019.

Primary Examiner — Richard E Chilcot
(74) *Attorney, Agent, or Firm* — QuickPatents, LLC; Kevin Prince

(56) **References Cited**

U.S. PATENT DOCUMENTS

2,585,690 A * 2/1952 Schafer A41B 3/02
2/127
3,089,149 A 5/1963 Kelleam
3,431,562 A 3/1969 Sounders
4,580,298 A * 4/1986 Tuisl A41F 9/025
2/338
4,920,581 A * 5/1990 Gray A41F 9/02
2/919
5,263,617 A * 11/1993 Martin D06F 59/02
223/77
5,902,170 A 5/1999 Ganz
6,044,496 A * 4/2000 Ramirez A44B 13/0011
2/237
6,085,356 A * 7/2000 Redmond, Sr. A41F 9/02
2/338
6,219,848 B1 * 4/2001 Russell A41F 9/025
2/221
6,286,152 B1 * 9/2001 Mooneyhan A41F 9/025
2/237
D783,207 S * 4/2017 Lindsey D29/101.1

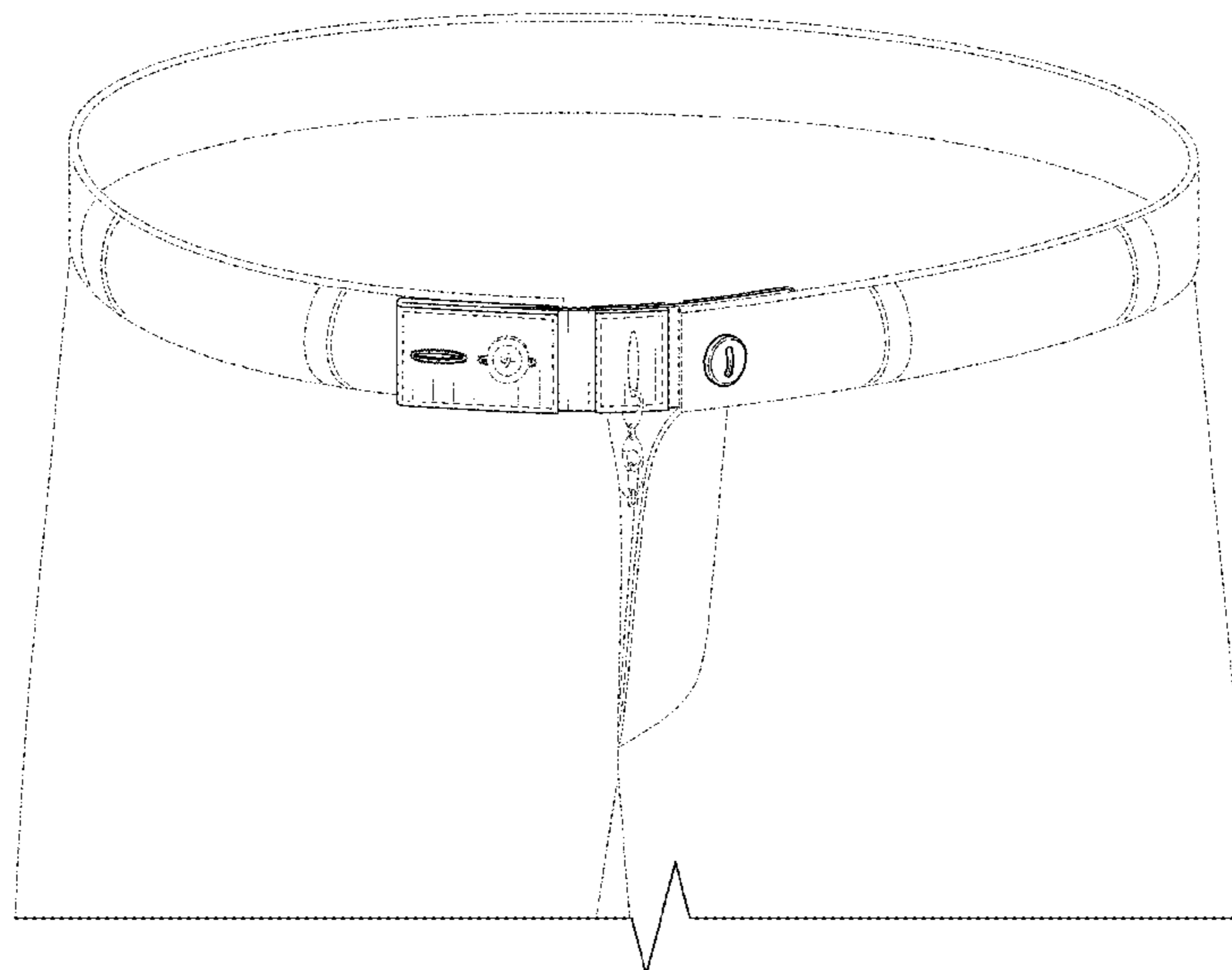
(57) **CLAIM**

The ornamental design for a waistband expander, as shown and described.

DESCRIPTION

FIG. 1 is a perspective view of a waistband expander, showing my new design in a condition of use; FIG. 2 is an enlarged perspective view thereof; FIG. 3 is a front elevational view of FIG. 2; FIG. 4 is a rear elevational view of FIG. 2; FIG. 5 is a left-side elevational view of FIG. 2; FIG. 6 is a rear elevational view of FIG. 2; FIG. 7 is a top plan view of FIG. 2; and, FIG. 8 is a bottom plan view of FIG. 2. The dot-dash broken lines showing a pair of pants and a hook implement in FIG. 1 depict environmental matter and form no part of the claimed design. The dot-dash broken lines showing the centrally-located button hole form no part of the claimed design. The remaining broken lines represent stitching, and are part of the claimed design.

1 Claim, 4 Drawing Sheets



(56)

References Cited

U.S. PATENT DOCUMENTS

2007/0033709 A1* 2/2007 Forselius A41F 9/00
2/237
2007/0271684 A1* 11/2007 Ramirez A41F 9/025
2/251
2007/0271685 A1* 11/2007 Ramirez A41F 9/025
2/328
2008/0172769 A1* 7/2008 Herget A41F 9/02
2/311
2011/0072559 A1* 3/2011 Middleton A41F 9/025
2/311
2014/0208485 A1* 7/2014 Kjar A41D 1/21
2/312
2020/0253309 A1* 8/2020 Wexelbaum A41F 9/007

* cited by examiner

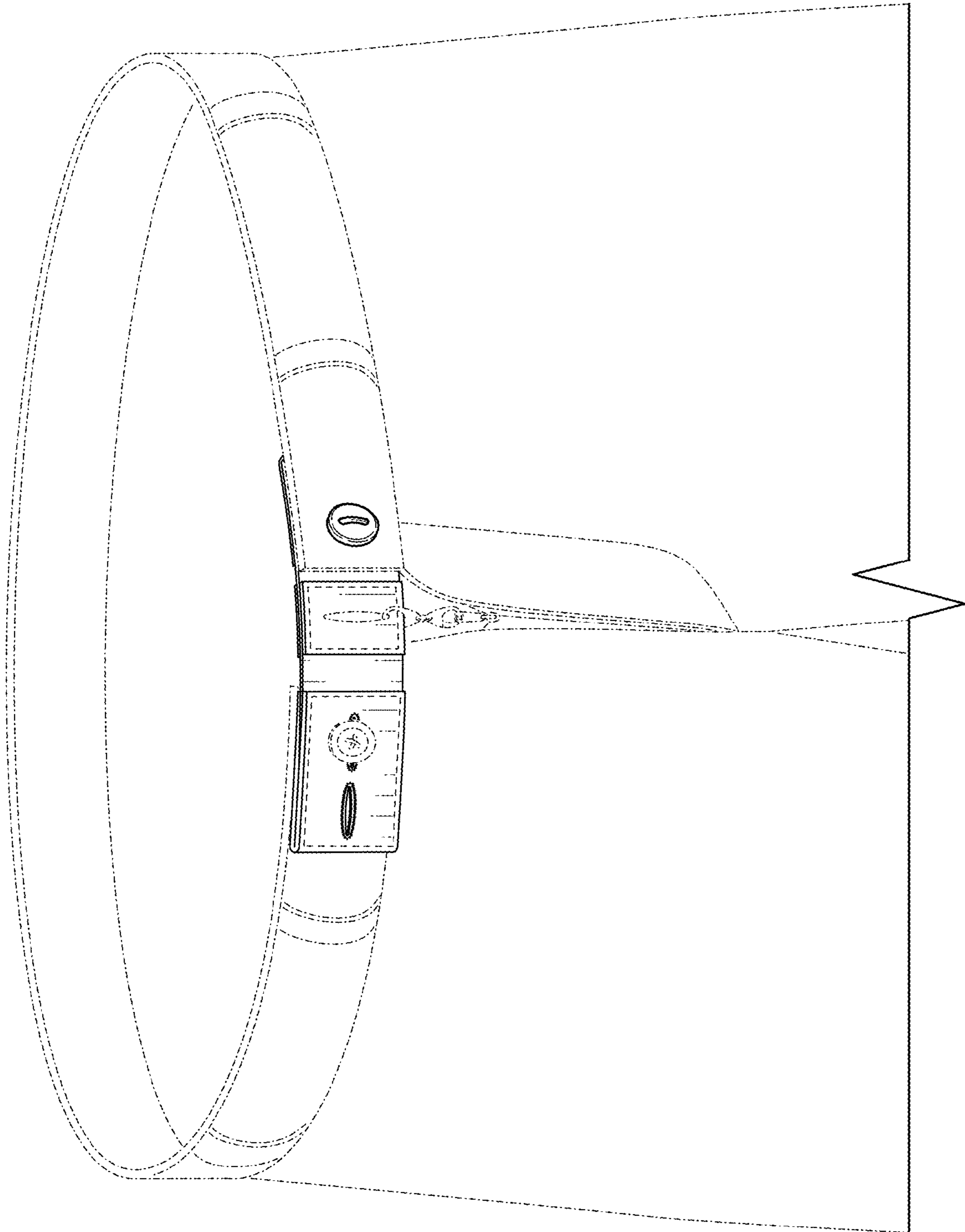


FIG. 1

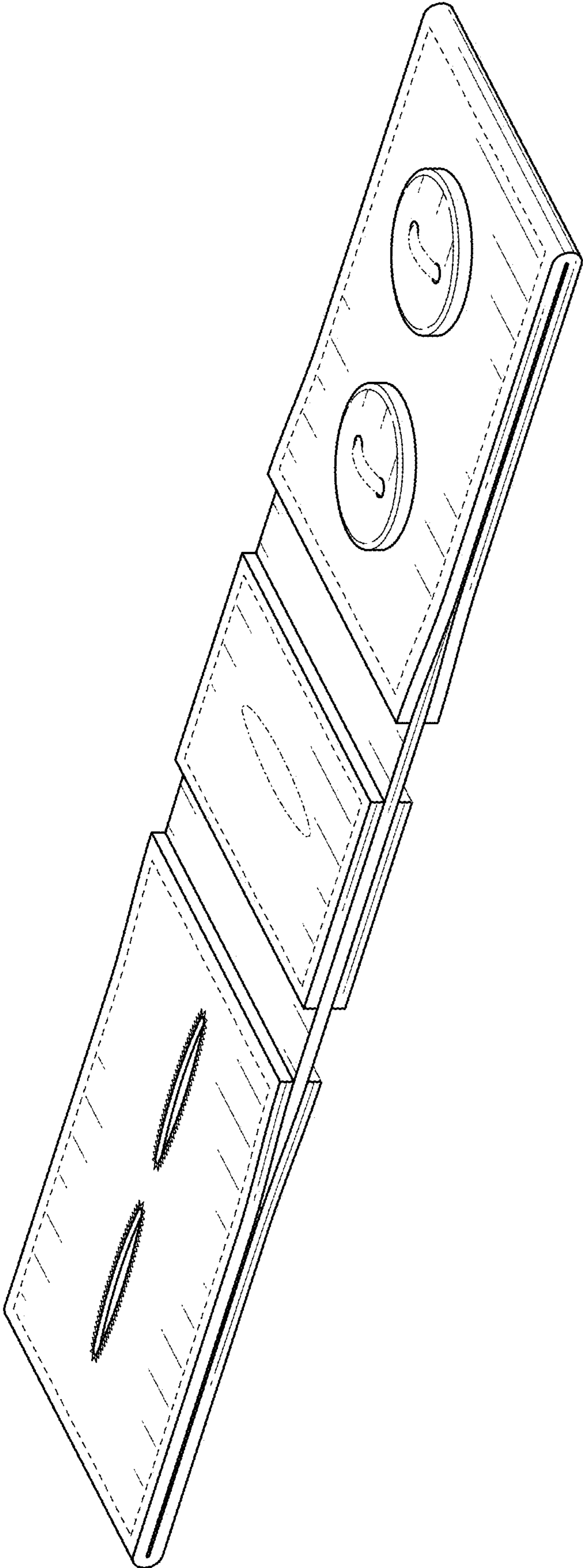
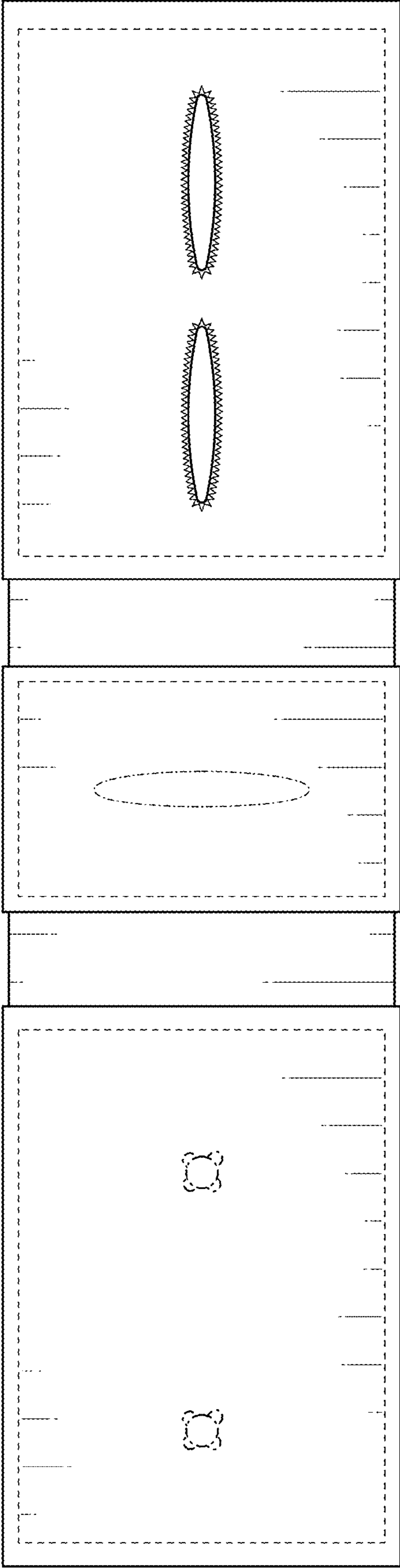
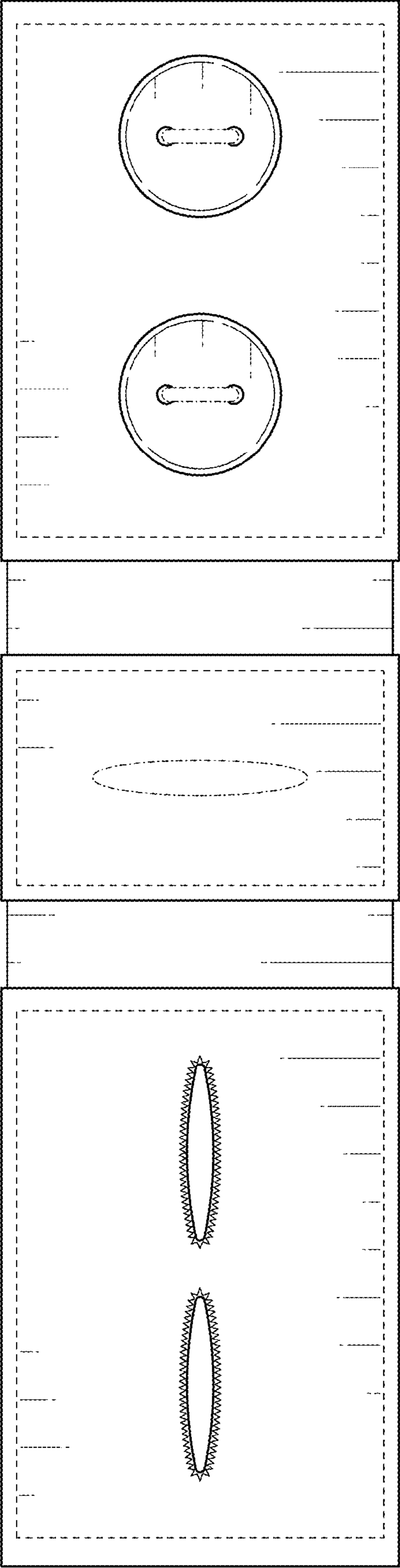


FIG. 2



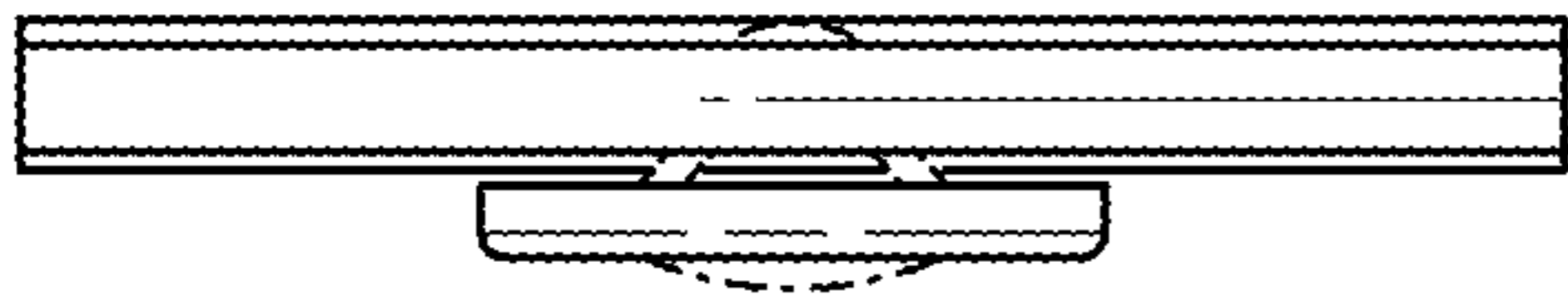


FIG. 5

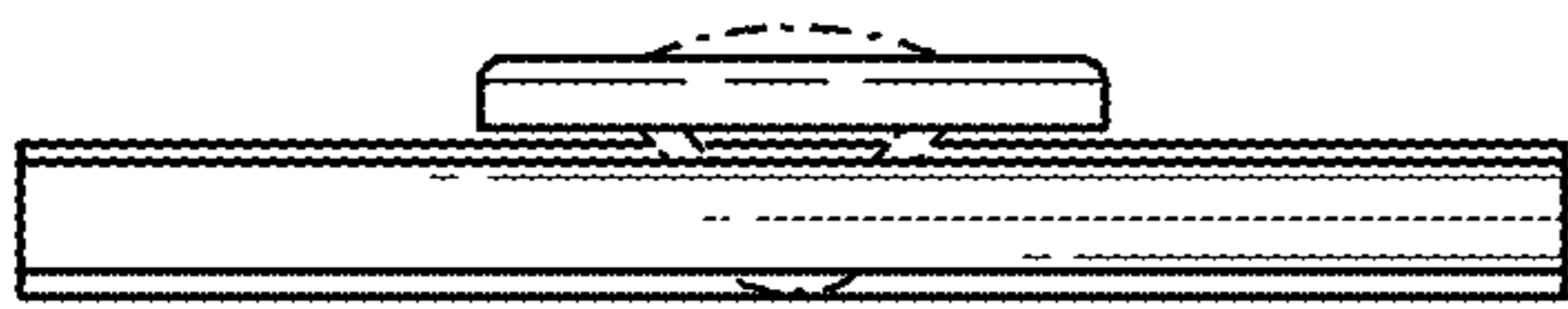


FIG. 6

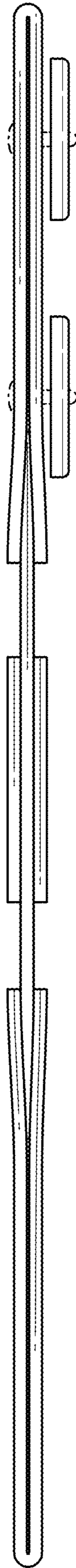


FIG. 7

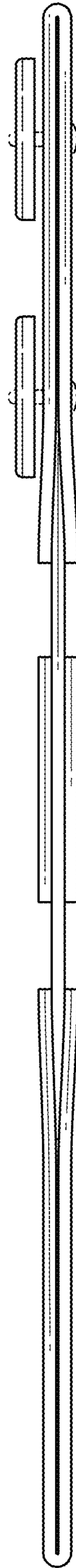


FIG. 8