



US00D973302S

(12) **United States Design Patent**
Margrève

(10) **Patent No.:** **US D973,302 S**

(45) **Date of Patent:** **** Dec. 27, 2022**

(54) **BISCUIT**

(71) Applicant: **Lotus Bakeries N.V.**, Lembeke (BE)

(72) Inventor: **Jean Marie Margrève**, Hermee (BE)

(73) Assignee: **LOTUS BAKERIES N.V.**, Lembeke (BE)

(**) Term: **15 Years**

(21) Appl. No.: **29/782,361**

(22) Filed: **May 6, 2021**

(51) **LOC (13) Cl.** **01-01**

(52) **U.S. Cl.**
USPC **D1/128; D1/130**

(58) **Field of Classification Search**

USPC D1/100–130, 199; 426/5, 76, 87, 92, 94,
426/95, 99, 101, 103, 104, 108, 138–139,
426/143, 144, 279, 282, 283, 391, 514,
426/549, 559, 560, 660, 808, 249, 516;
D21/386, 803; D25/138; D7/359;
D6/597, 601, 595, 598; 119/710;
D30/160; D9/436, 447, 452, 453, 456,
D9/669; D24/101–104; D26/125

CPC A21D 13/0022; A23L 1/1641; A47J
37/0611; A21B 5/00; A21B 5/02

See application file for complete search history.

(56) **References Cited**

U.S. PATENT DOCUMENTS

D45,523 S * 3/1914 Cooke 426/104
D101,616 S * 10/1936 Burry D1/128
D102,254 S * 12/1936 Burry D1/128
D202,852 S * 11/1965 Peters D7/675
D365,911 S * 1/1996 Cassetti D24/102
D371,437 S * 7/1996 Williams D24/104
D372,973 S * 8/1996 Williams D24/104
D377,086 S * 12/1996 Tortarolo D24/101

D400,672 S * 11/1998 Kramer D24/101
D497,236 S * 10/2004 Haro D1/126
D513,822 S * 1/2006 Haro D1/126
D515,775 S * 2/2006 Harrington D1/125
D572,428 S * 7/2008 Haas D1/128
D602,226 S * 10/2009 Hajek D1/127
D698,116 S * 1/2014 Barnes D1/128
D836,286 S * 12/2018 Piccoli D1/129
D841,931 S * 3/2019 Sindall A61K 9/0004
D1/128

* cited by examiner

Primary Examiner — Katie Jane Stofko

(74) *Attorney, Agent, or Firm* — Cantor Colburn LLP

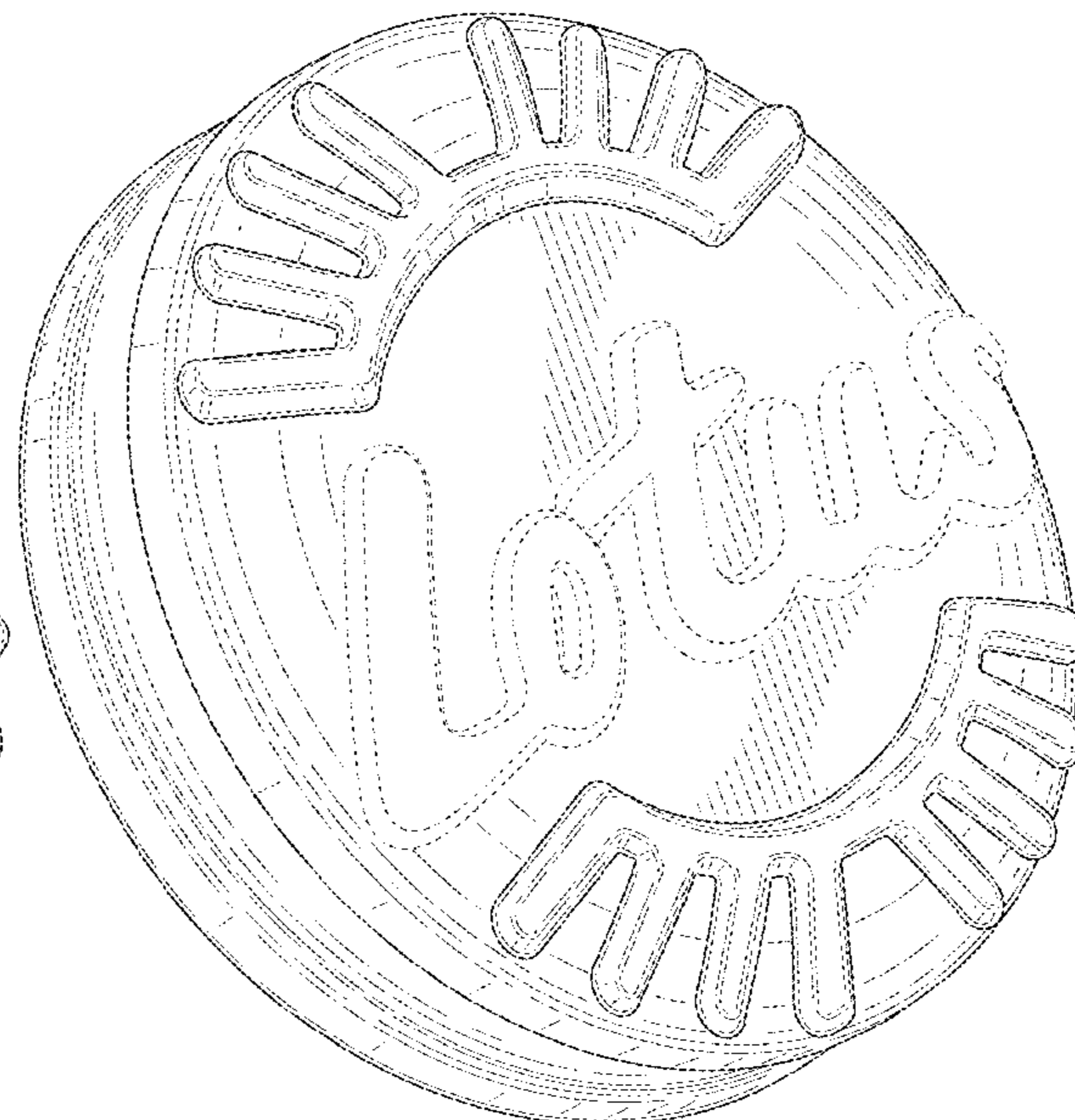
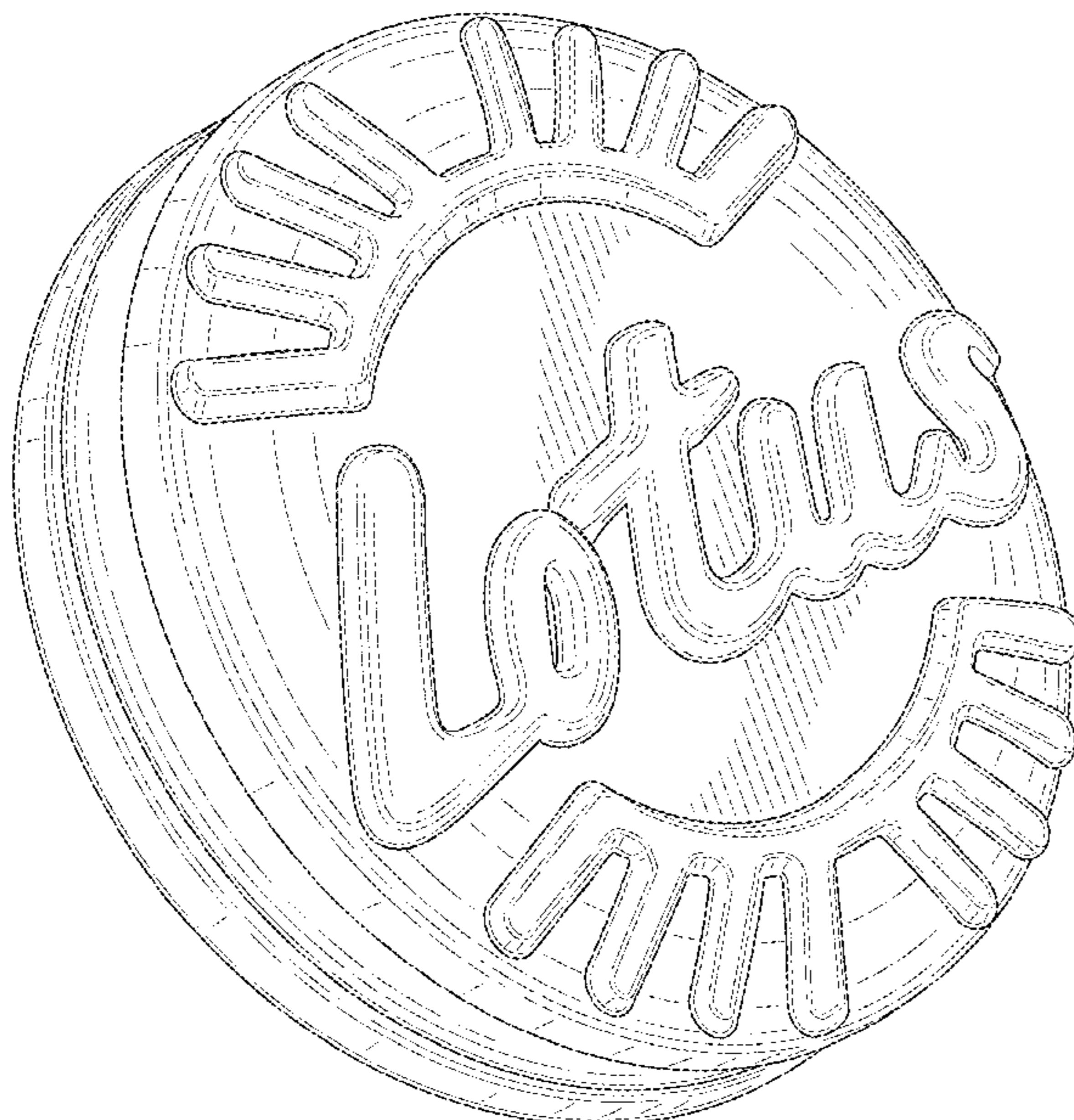
(57) **CLAIM**

I claim, the ornamental design for a biscuit, as shown and described.

DESCRIPTION

FIG. 1 is a front and left side perspective view of a first embodiment of a biscuit, showing my new design; FIG. 2 is a front view thereof, an opposite rear view being a mirror image thereof; FIG. 3 is a top plan view thereof, the opposite bottom view being a mirror image thereof; FIG. 4 is a right side view thereof; FIG. 5 is a left side view thereof; FIG. 6 is a front and left side perspective view of a second embodiment of a biscuit, showing my new design; FIG. 7 is a front view thereof, the opposite bottom view being a mirror image thereof; FIG. 8 is a top plan view thereof, the opposite bottom view being a mirror image thereof; FIG. 9 is a right side view thereof; and, FIG. 10 is a left side view thereof. The broken lines shown in FIGS. 6-10 illustrate portions of the biscuit that form no part of the claimed design.

1 Claim, 8 Drawing Sheets



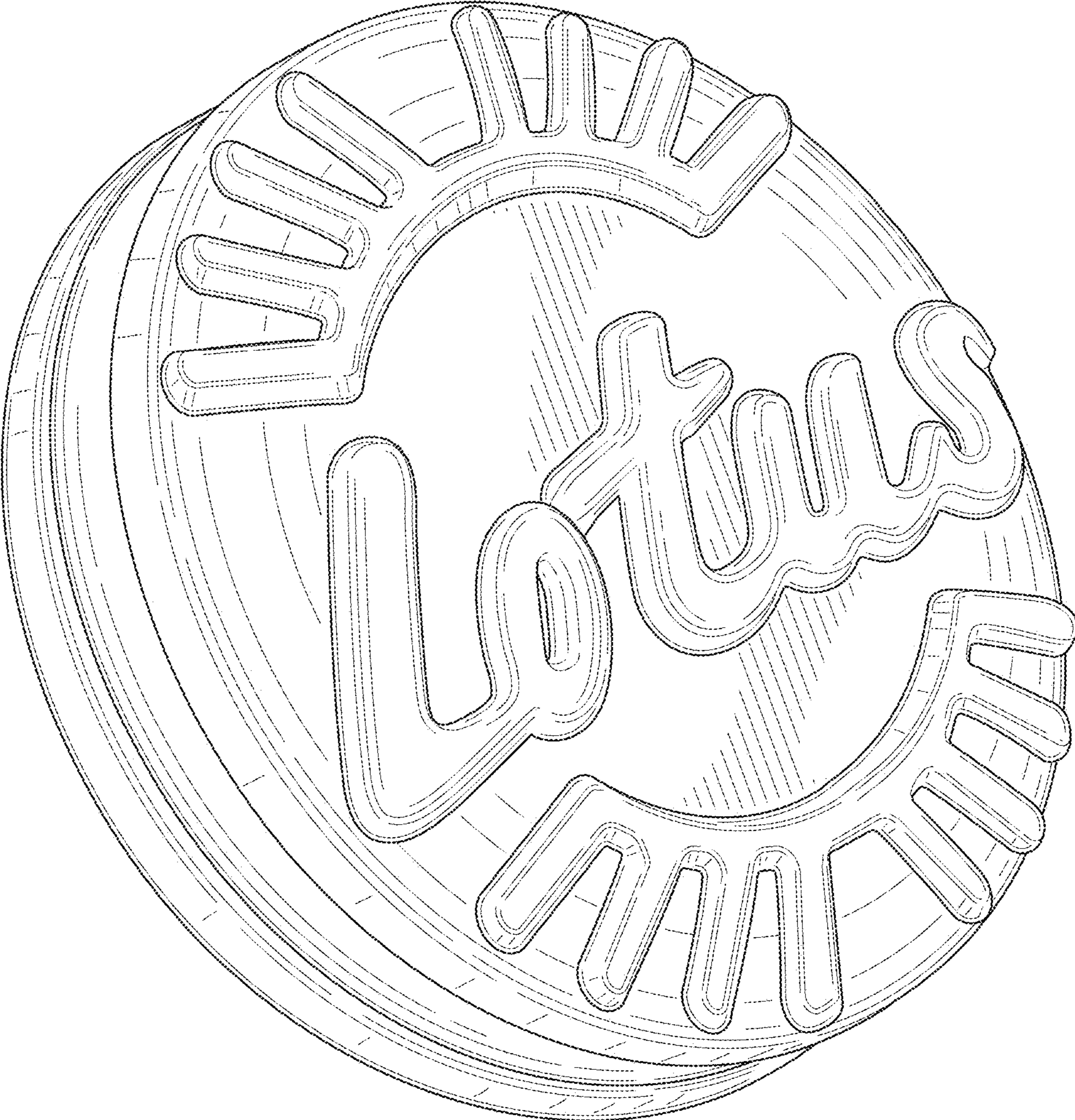


FIG. 1

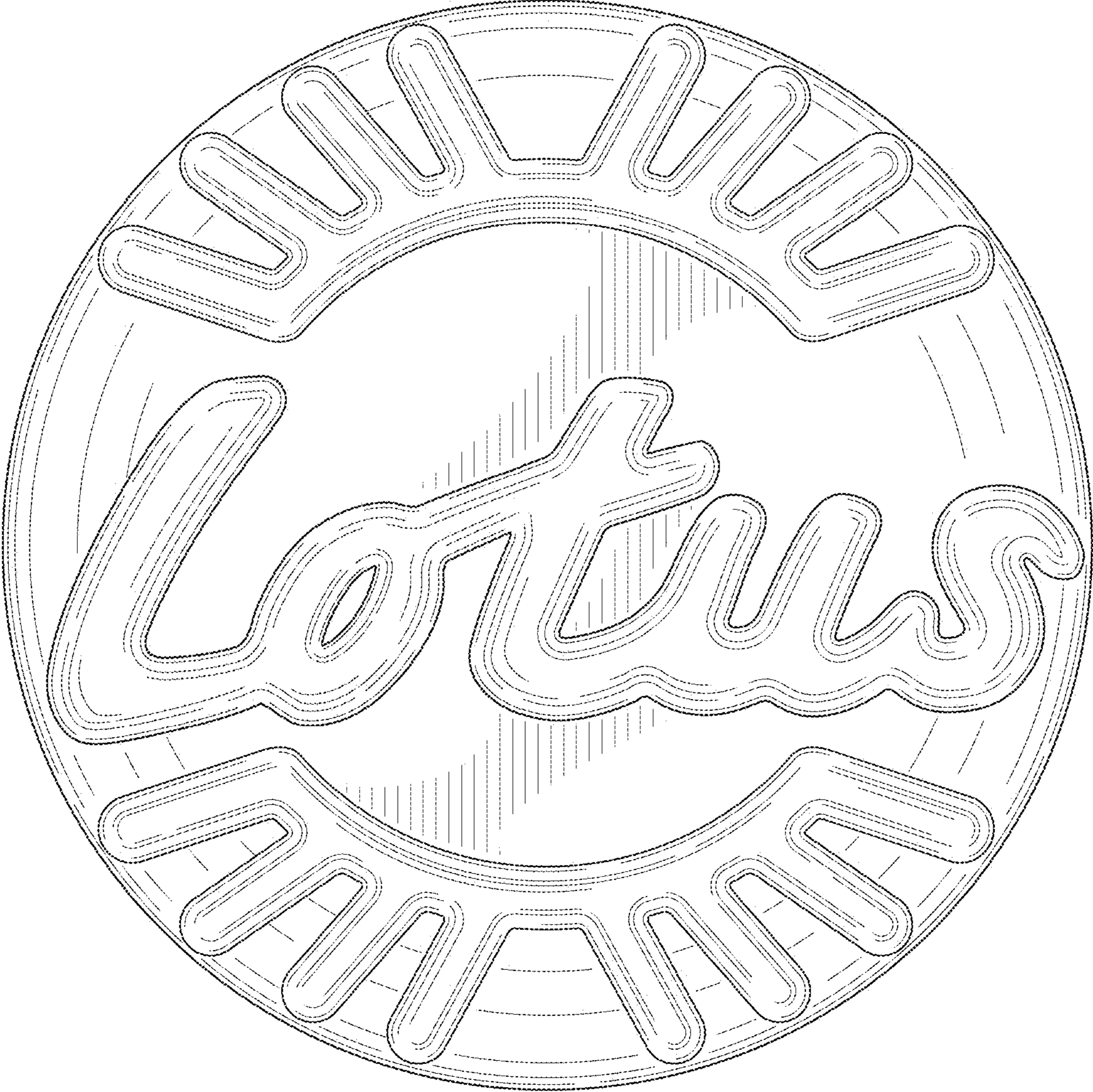


FIG. 2

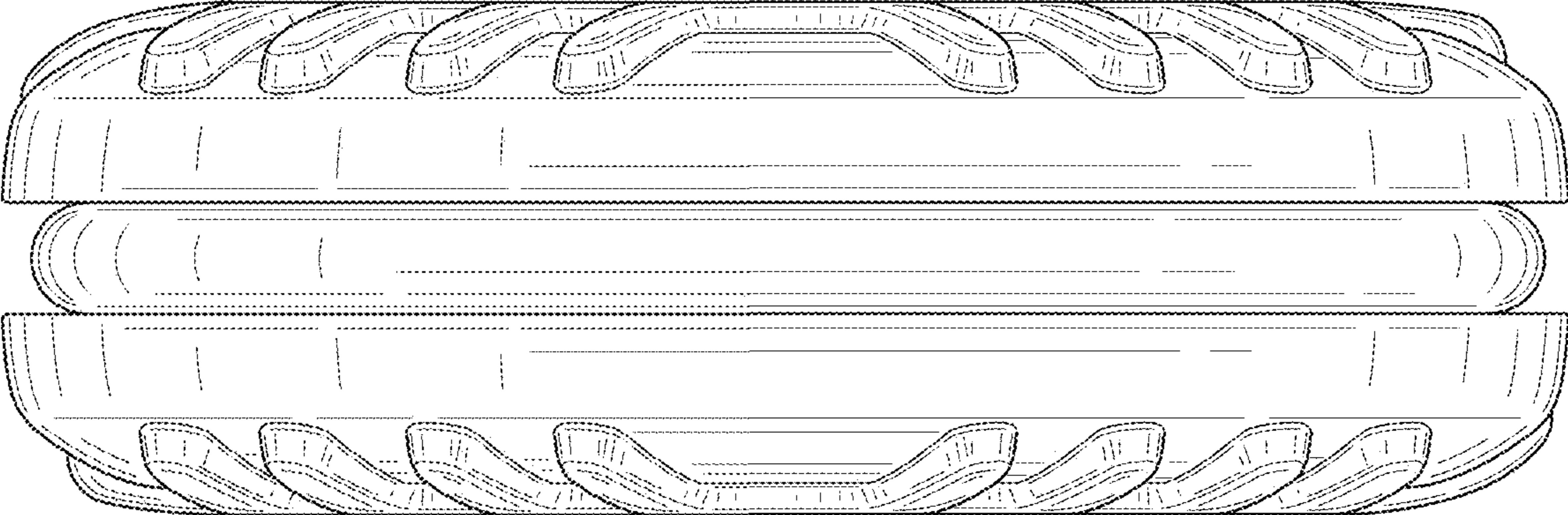


FIG. 3

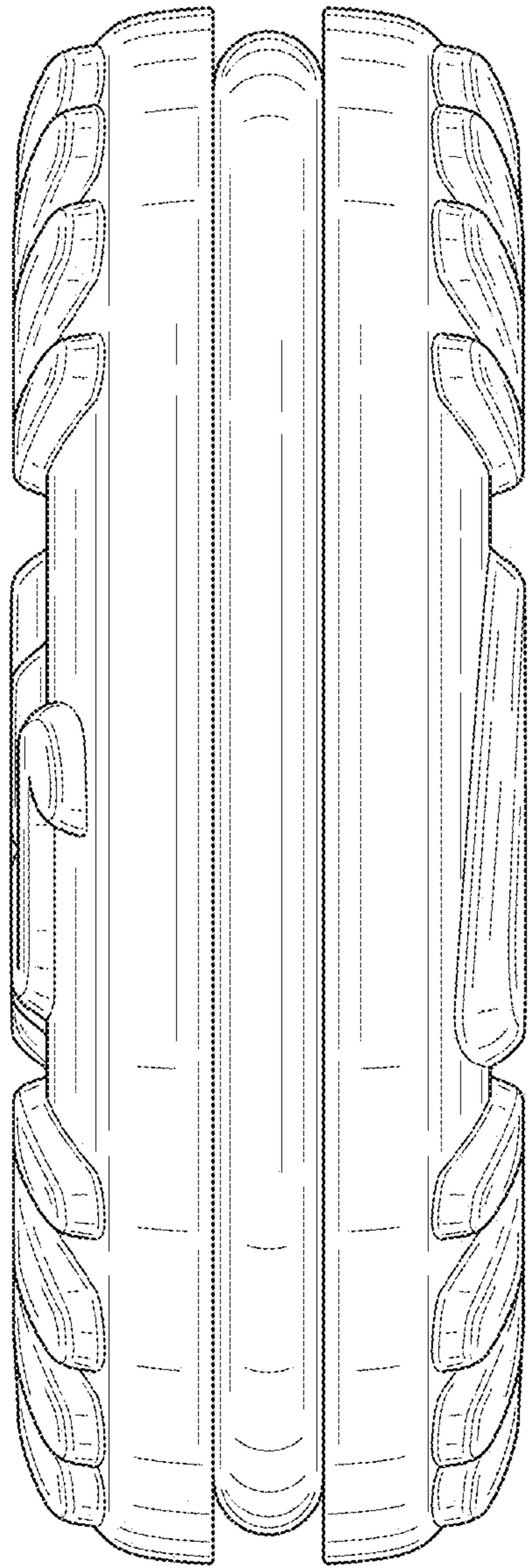


FIG. 4

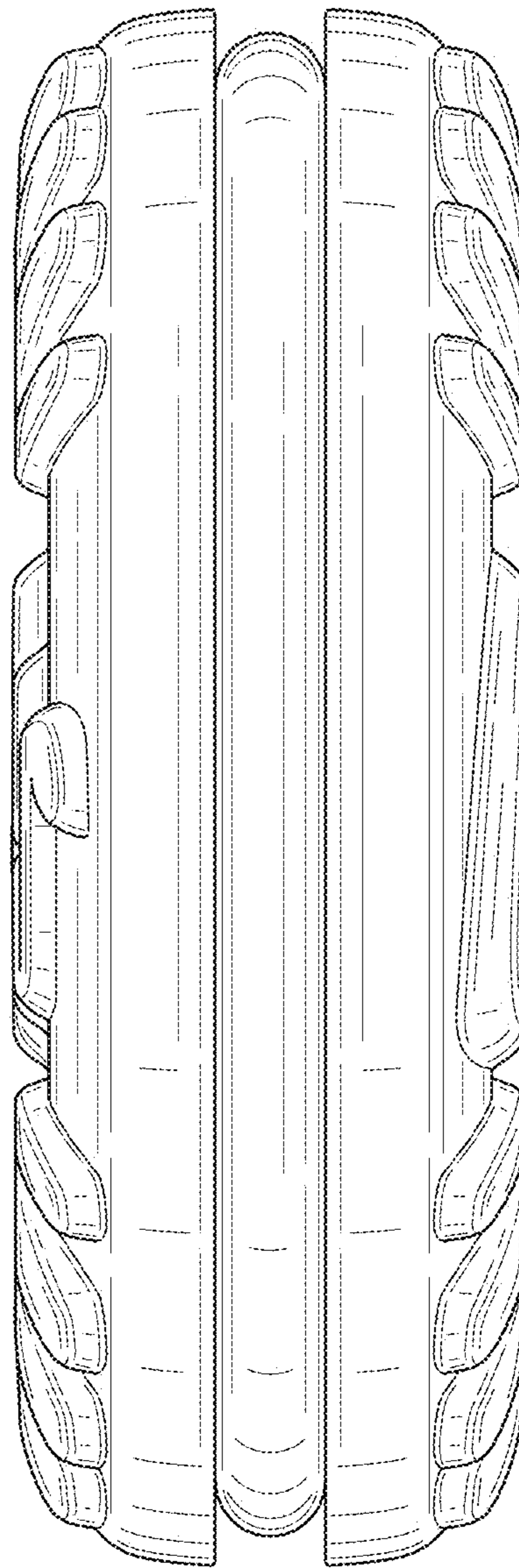


FIG. 5



FIG. 6



FIG. 7

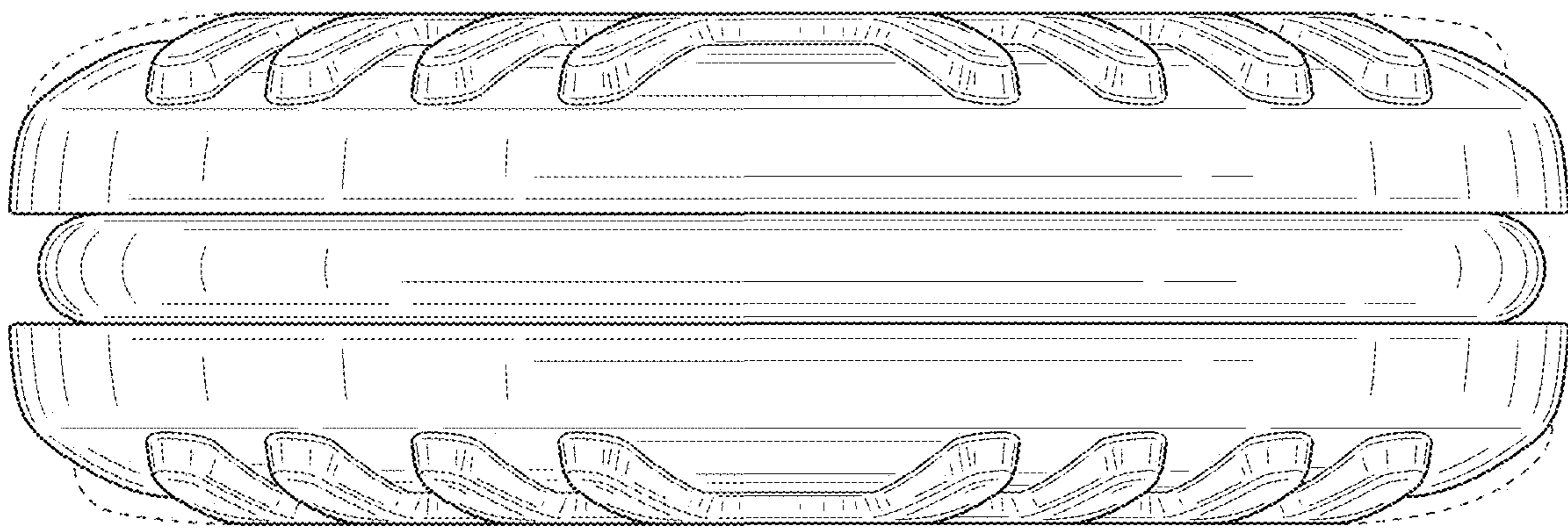


FIG. 8

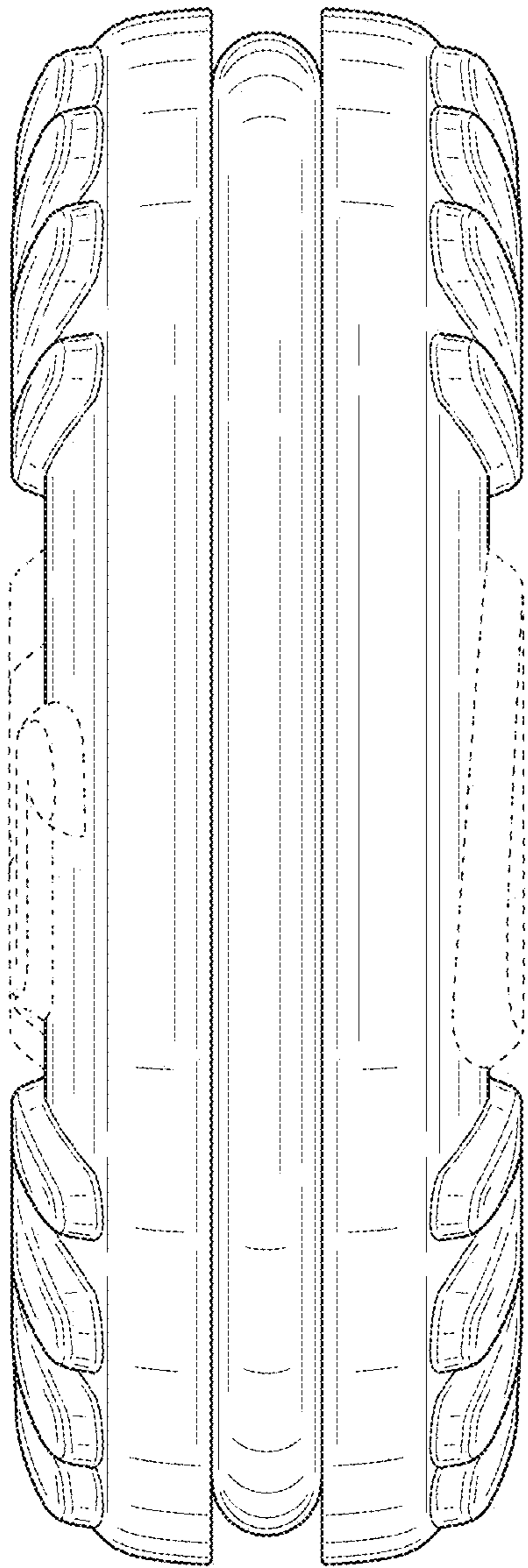


FIG. 9

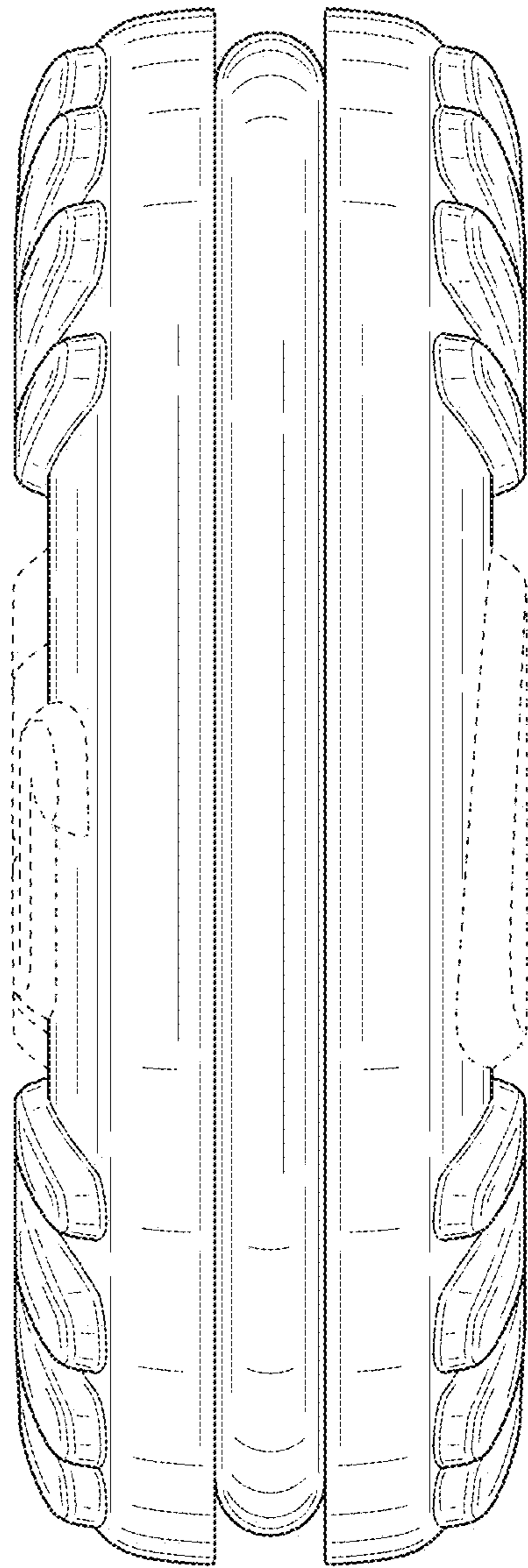


FIG. 10