



US00D973300S

(12) **United States Design Patent** (10) **Patent No.:** **US D973,300 S**
Potter et al. (45) **Date of Patent:** **** Dec. 27, 2022**

(54) **DISC PET CHEW**

(57) **CLAIM**

The ornamental design for a disc pet chew, as shown and described.

(71) Applicant: **Spectrum Brands, Inc.**, Middleton, WI (US)

DESCRIPTION

(72) Inventors: **Tiffany Dawn Potter**, Pearisburg, VA (US); **Allyse McCann**, Blacksburg, VA (US); **Gregory van Eyk**, Christiansburg, VA (US)

FIG. 1 is a front, top and right side perspective view of a first embodiment of a disc pet chew according to the new design; FIG. 2 is a front elevation view thereof; FIG. 3 is a back elevation view thereof; FIG. 4 is a left side elevation view thereof; FIG. 5 is a right side elevation view thereof; FIG. 6 is a top plan view thereof; FIG. 7 is a bottom plan view thereof; FIG. 8 is a back, bottom and right side perspective view thereof;

(73) Assignee: **Spectrum Brands, Inc.**, Middleton, WI (US)

FIG. 9 is front, top and right side perspective view of a second embodiment of a disc pet chew according to the new design;

(**) Term: **15 Years**

(21) Appl. No.: **29/767,450**

FIG. 10 is a front elevation view thereof; FIG. 11 is a back elevation view thereof; FIG. 12 is a left side elevation view thereof; FIG. 13 is a right side elevation view thereof; FIG. 14 is a top plan view thereof; FIG. 15 is a bottom plan view thereof; FIG. 16 is a back, bottom and right side perspective view thereof;

(22) Filed: **Jan. 22, 2021**

(51) **LOC (13) Cl.** **01-01**

(52) **U.S. Cl.**

USPC **D1/123; D1/130**

(58) **Field of Classification Search**

USPC D1/100–130, 199; 426/104, 115, 143, 426/144, 249, 274, 517, 518, 615, 805;
(Continued)

FIG. 17 is a front, top and right side perspective view of a third embodiment of a disc pet chew according to the new design;

(56) **References Cited**

U.S. PATENT DOCUMENTS

D19,696 S * 3/1890 Beckstein D7/354
4,812,323 A * 3/1989 Savage A21D 13/33
426/549

(Continued)

FIG. 18 is a front elevation view thereof; FIG. 19 is a back elevation view thereof; FIG. 20 is a left side elevation view thereof; FIG. 21 is a right side elevation view thereof; FIG. 22 is a top plan view thereof; FIG. 23 is a bottom plan view thereof; and, FIG. 24 is a back, bottom and right side perspective view thereof.

FOREIGN PATENT DOCUMENTS

CA 2 698 395 A1 3/2009
CA 2 823 764 A1 2/2014

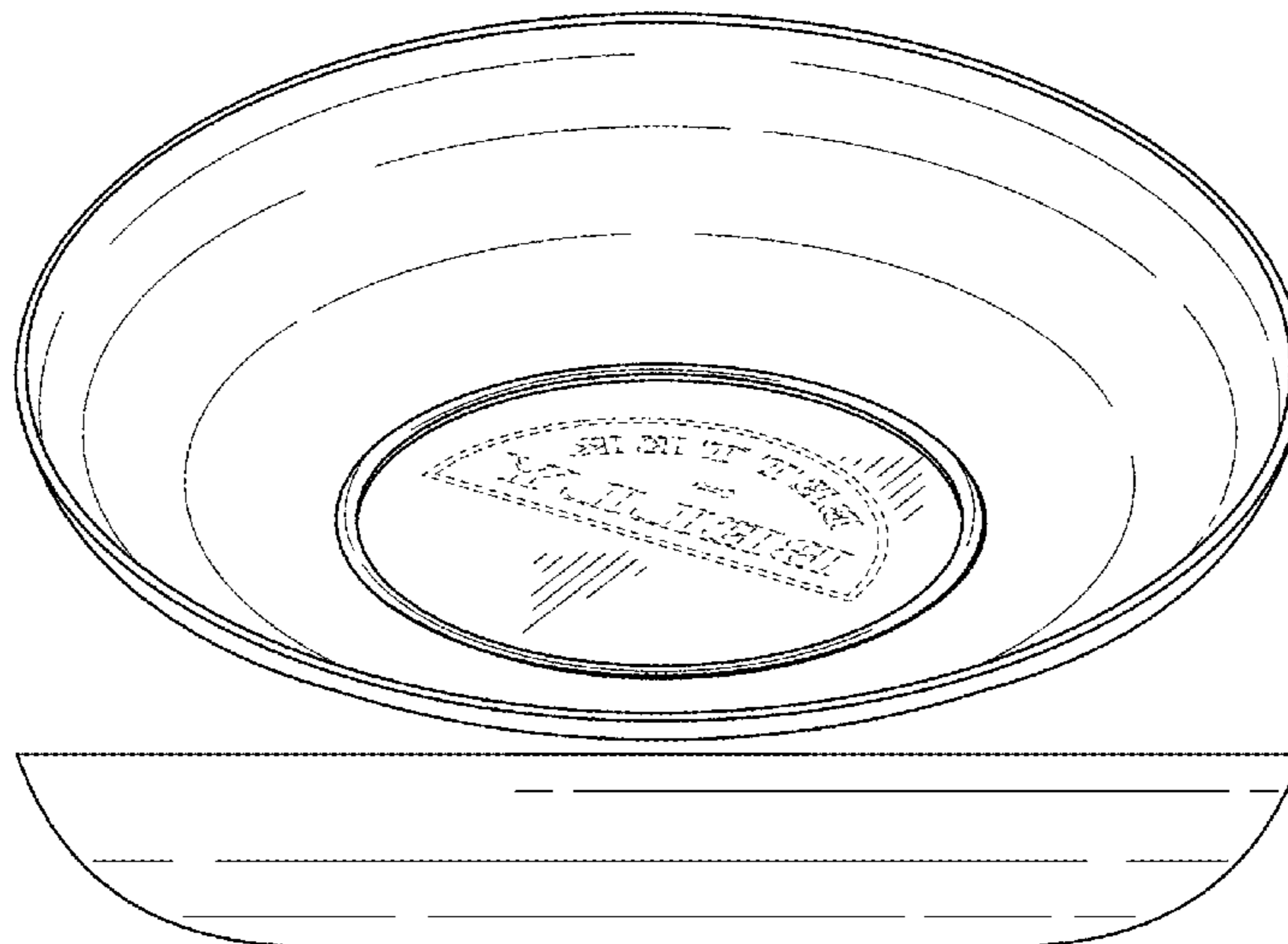
(Continued)

The broken lines in the drawings illustrate portions of the disc pet treat that form no part of the claimed design. The break lines shown in the middle portion of the disc pet treat in FIGS. 17-24 indicate that the appearance of any portion of the article between the break lines forms no part of the claimed design.

Primary Examiner — Katie Jane Stofko

(74) Attorney, Agent, or Firm — Merchant & Gould P.C.

1 Claim, 15 Drawing Sheets



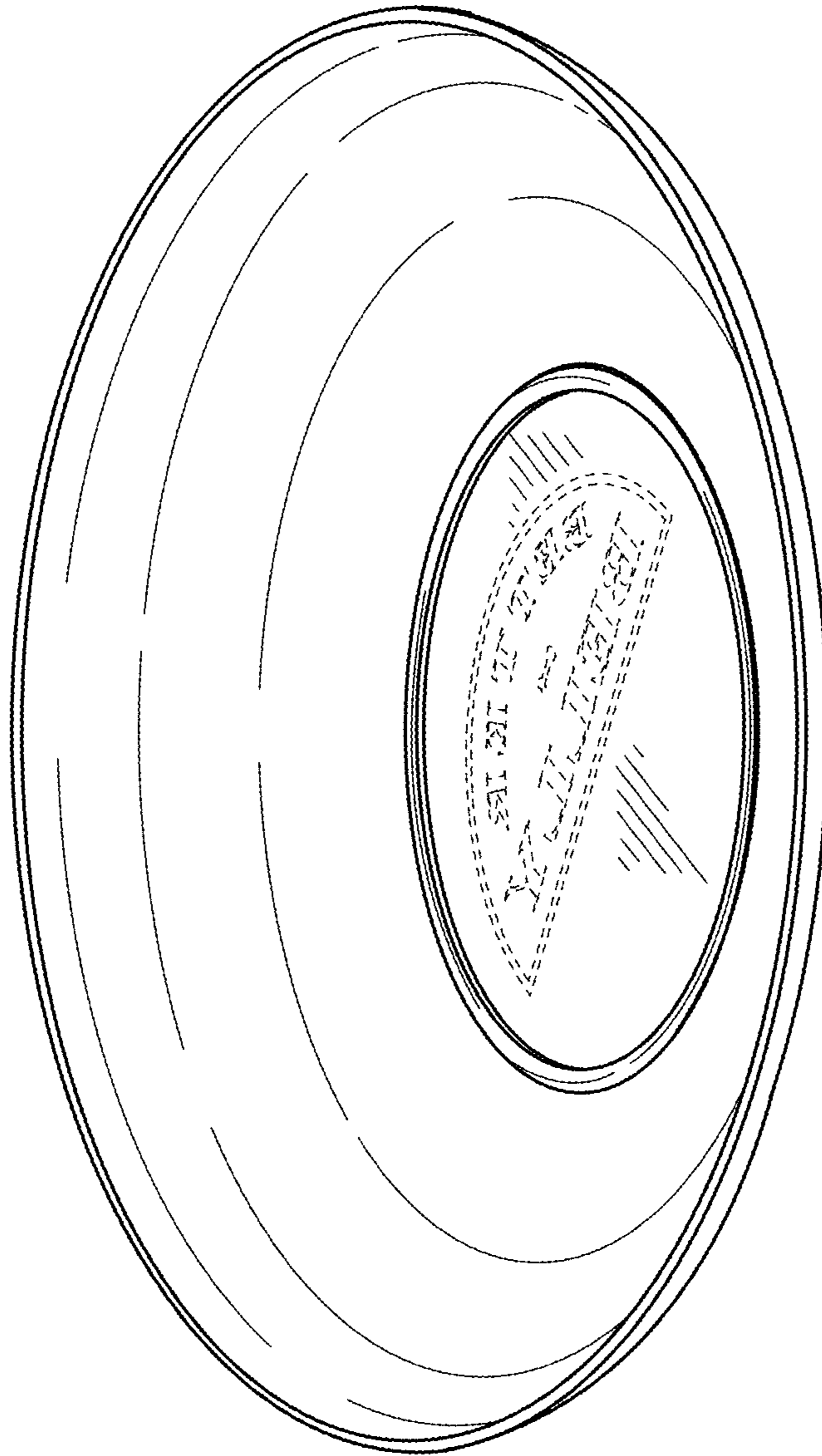


FIG. 1

FIG. 2

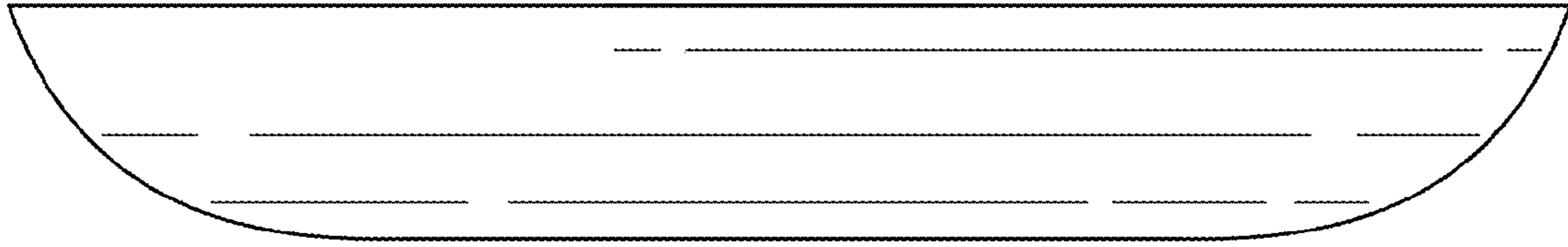


FIG. 3

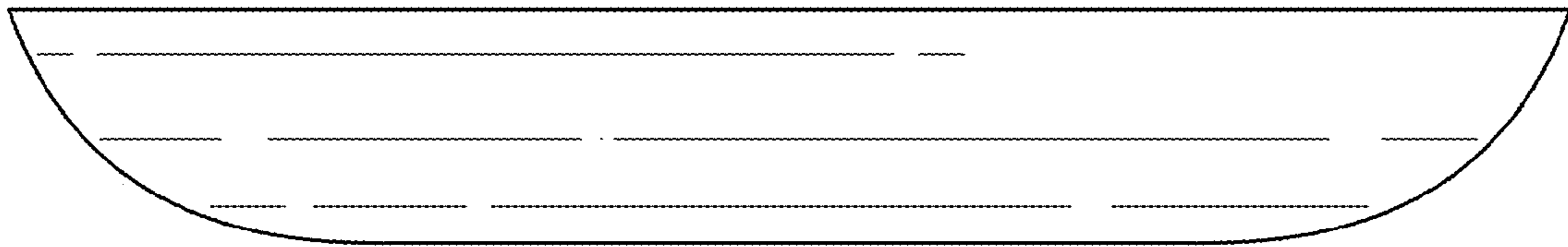


FIG. 4

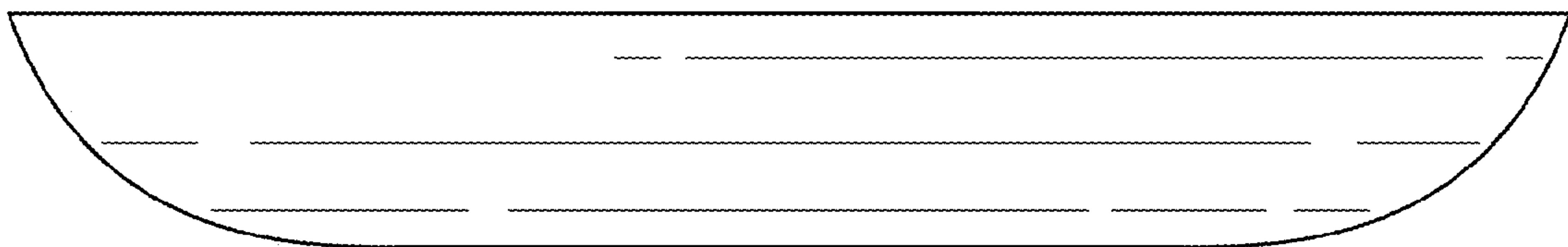
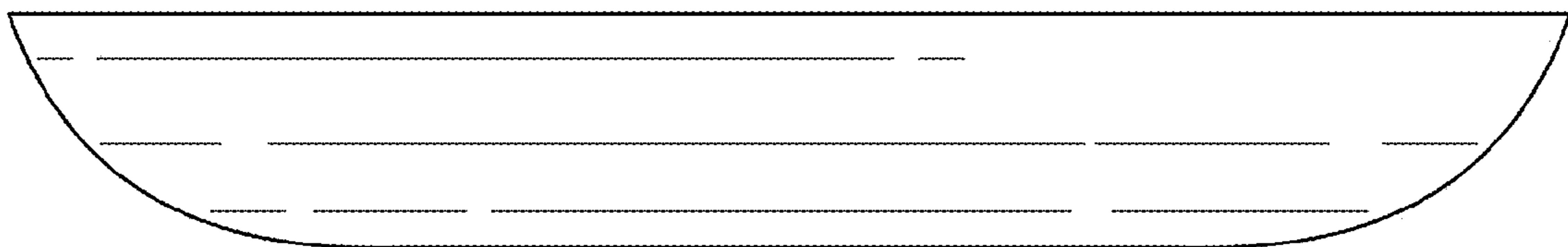


FIG. 5



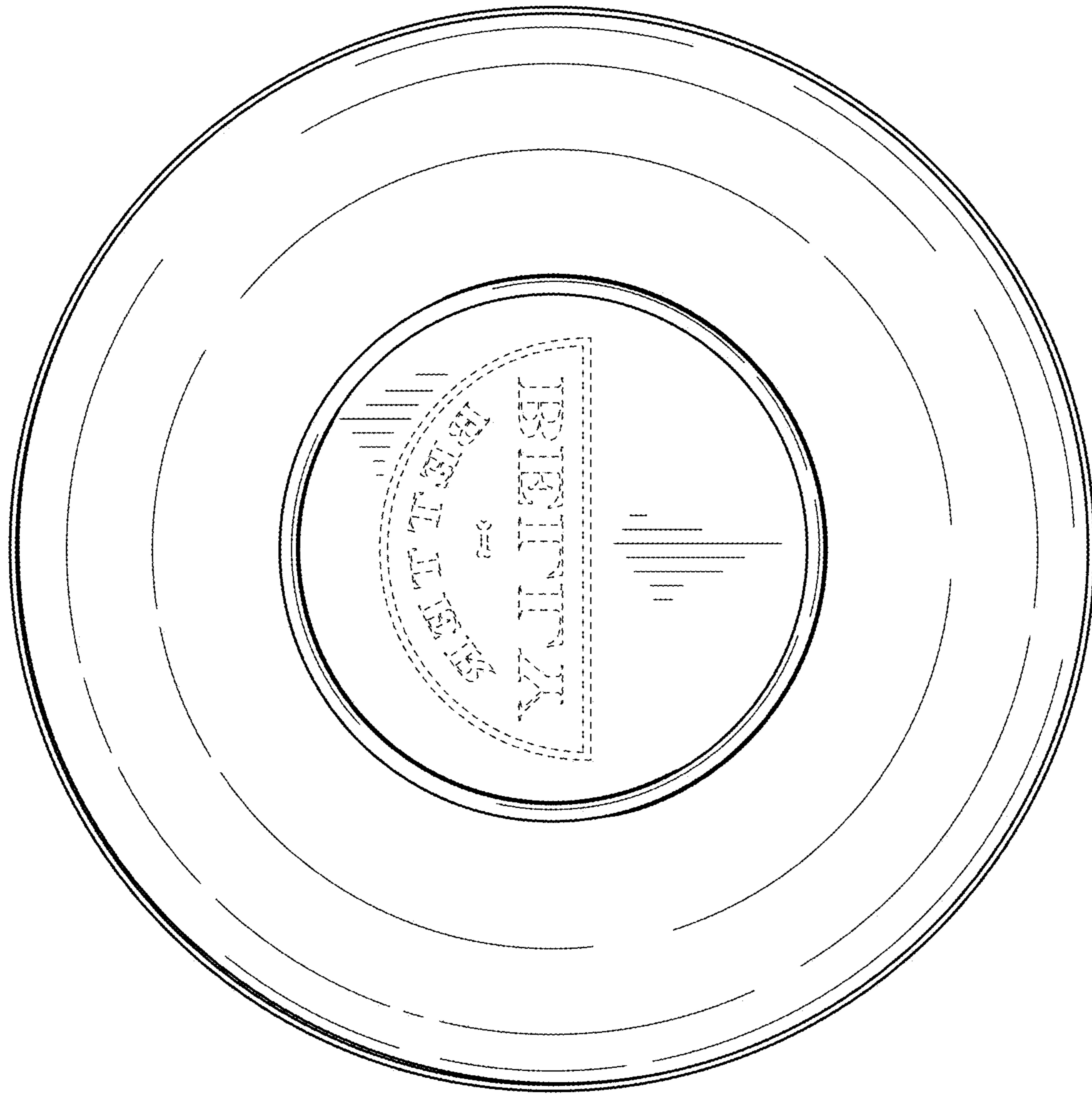


FIG. 6

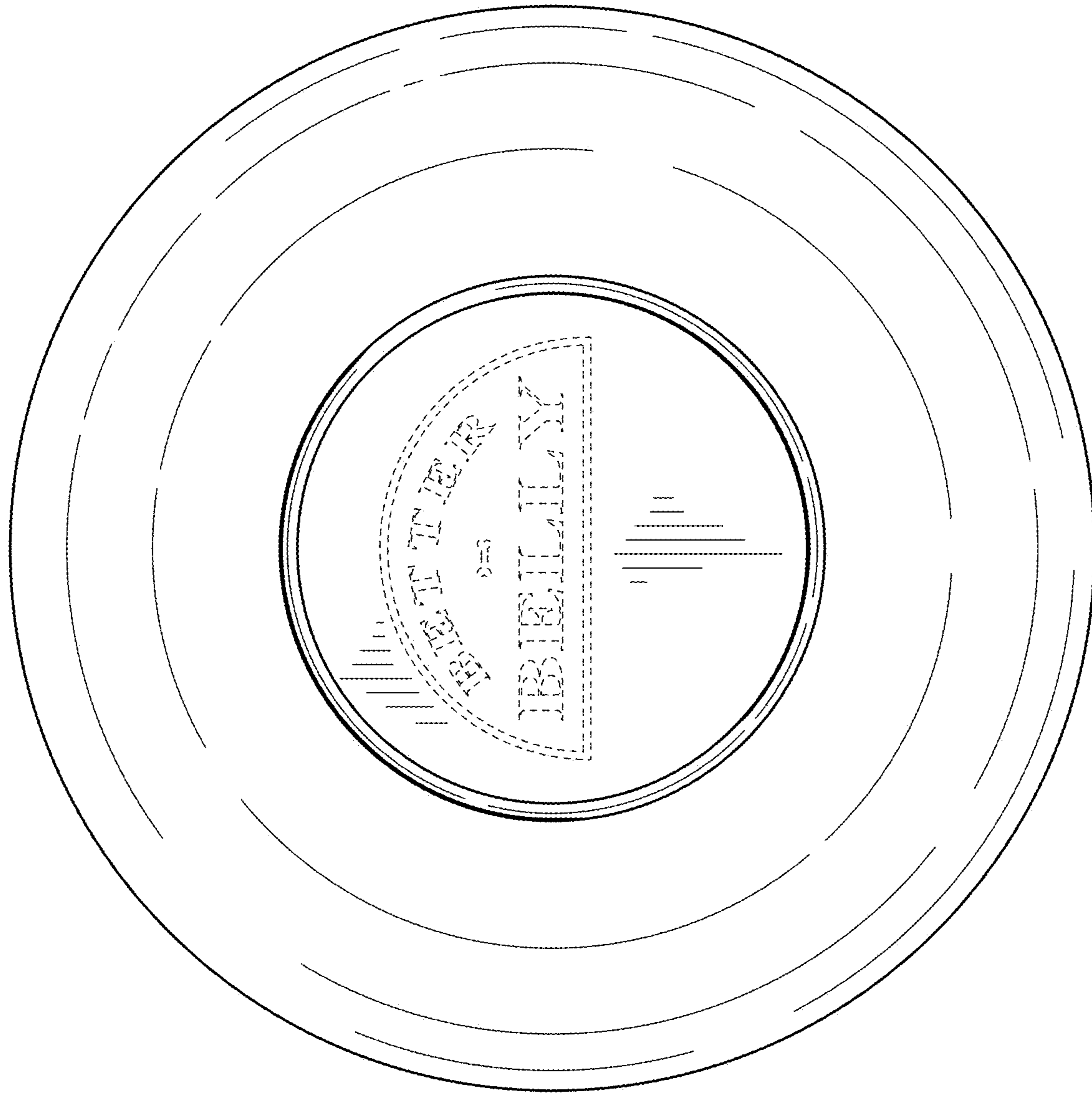


FIG. 7

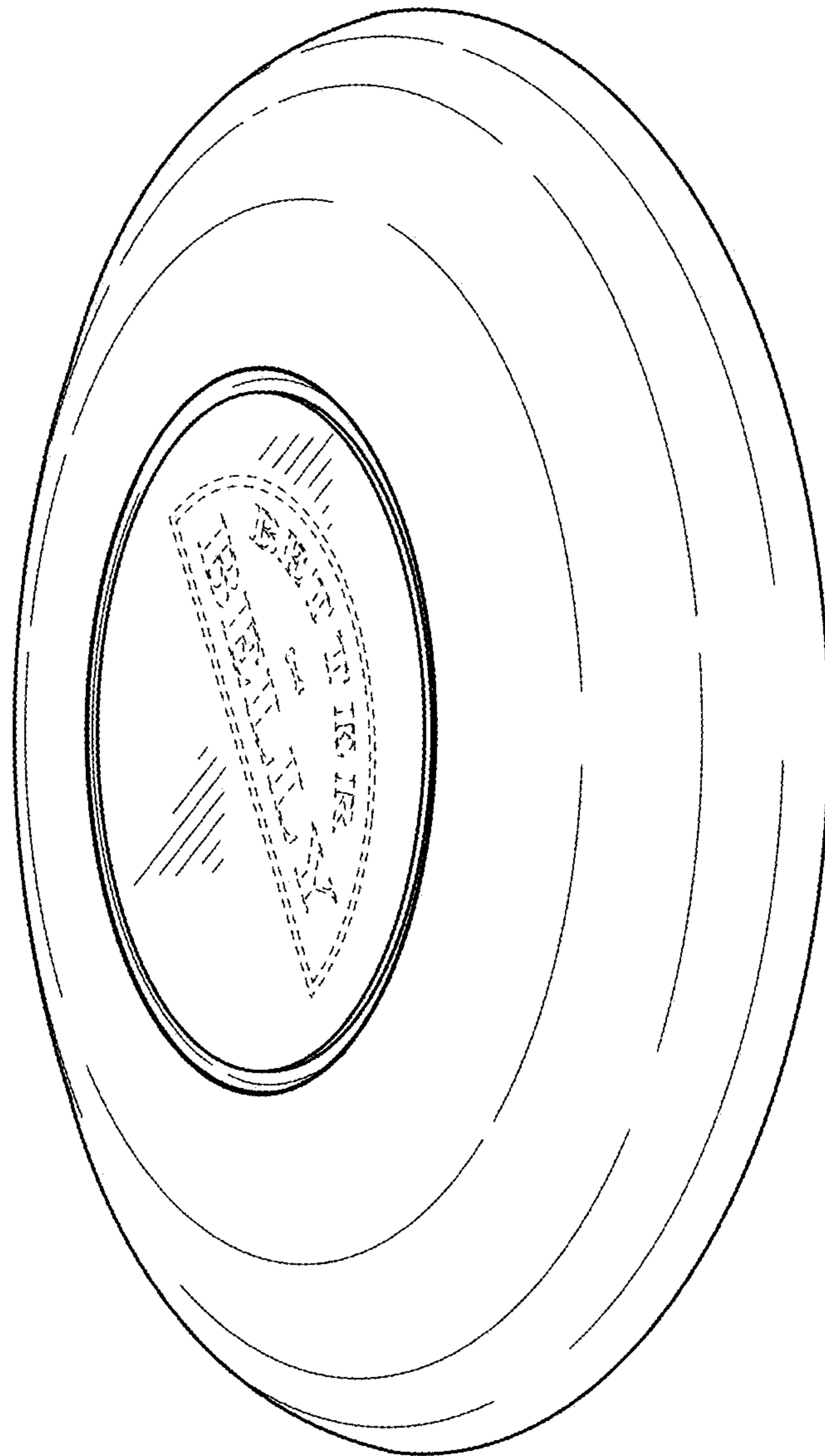


FIG. 8

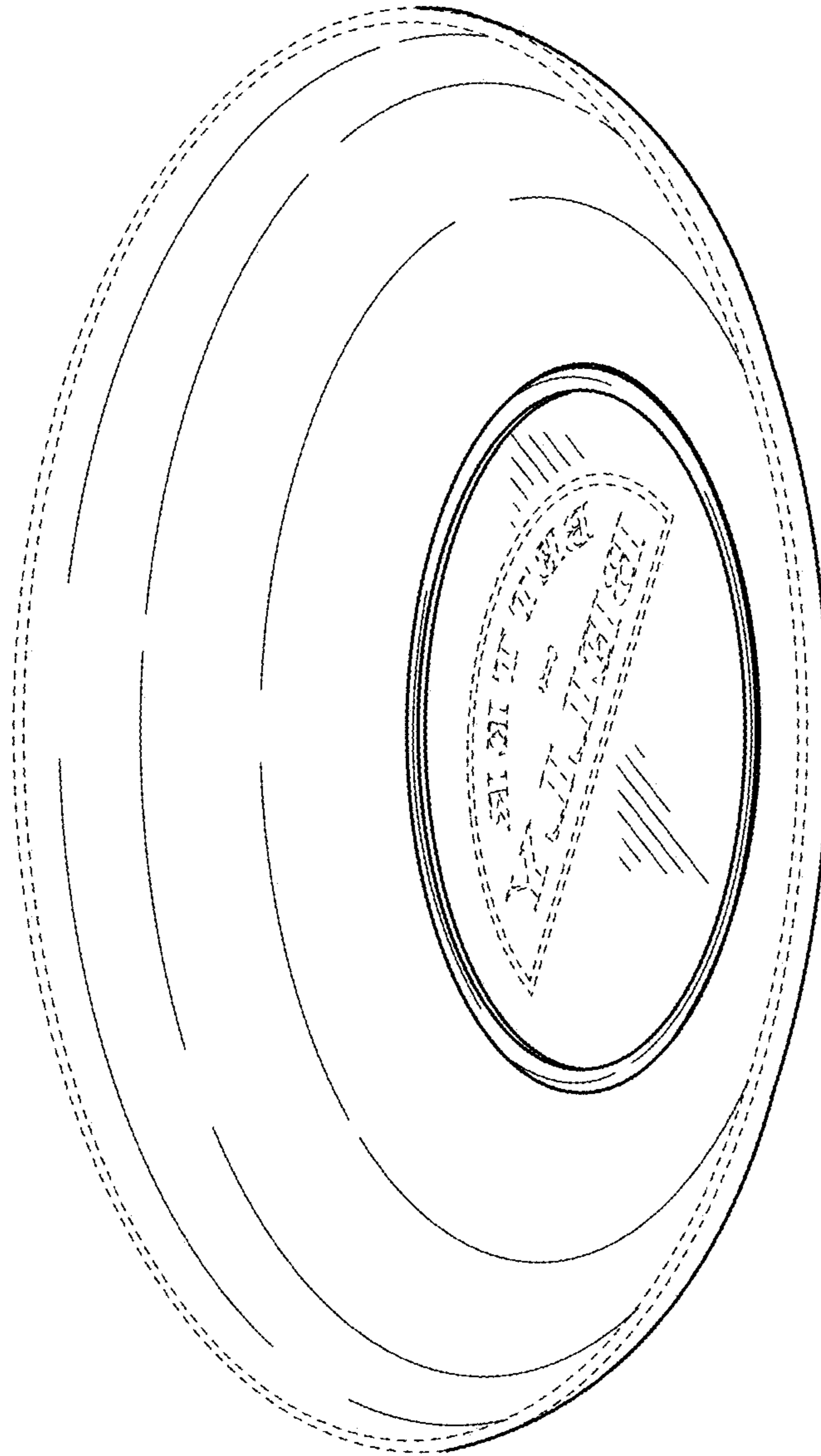


FIG. 9

FIG. 10

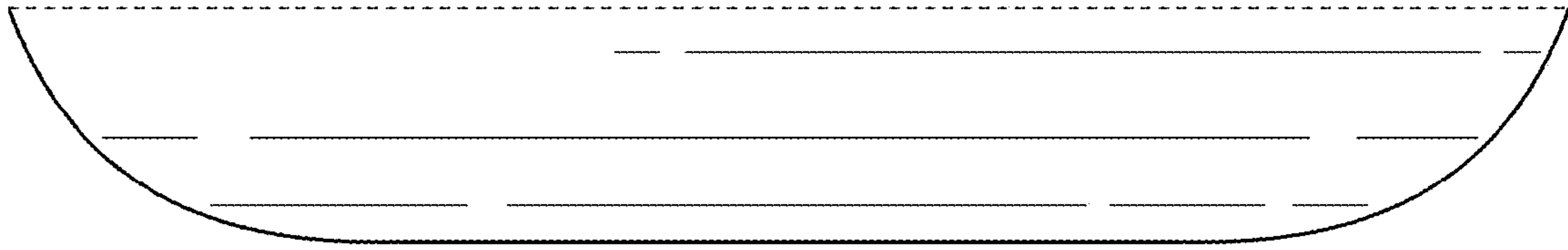


FIG. 11

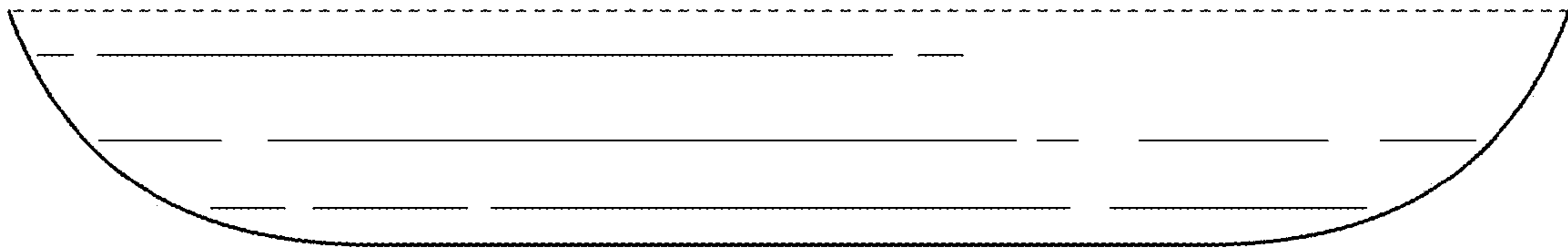


FIG. 12

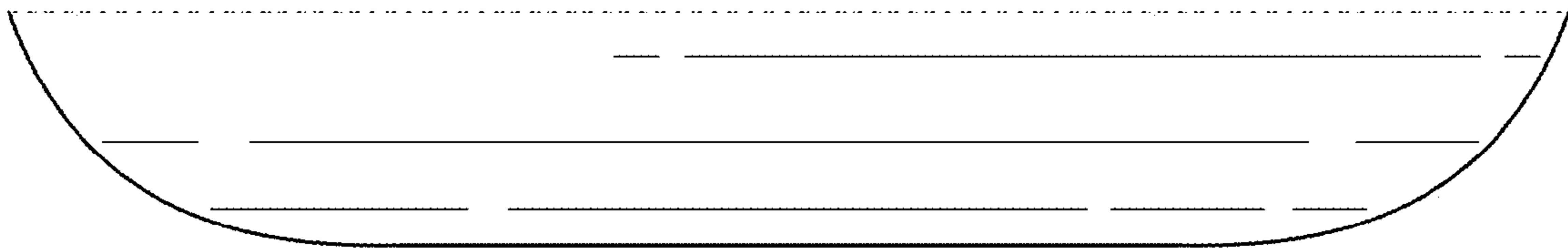
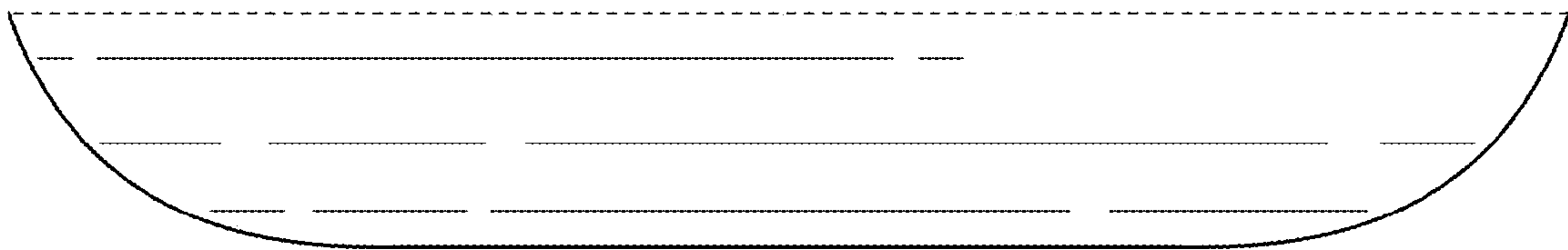


FIG. 13



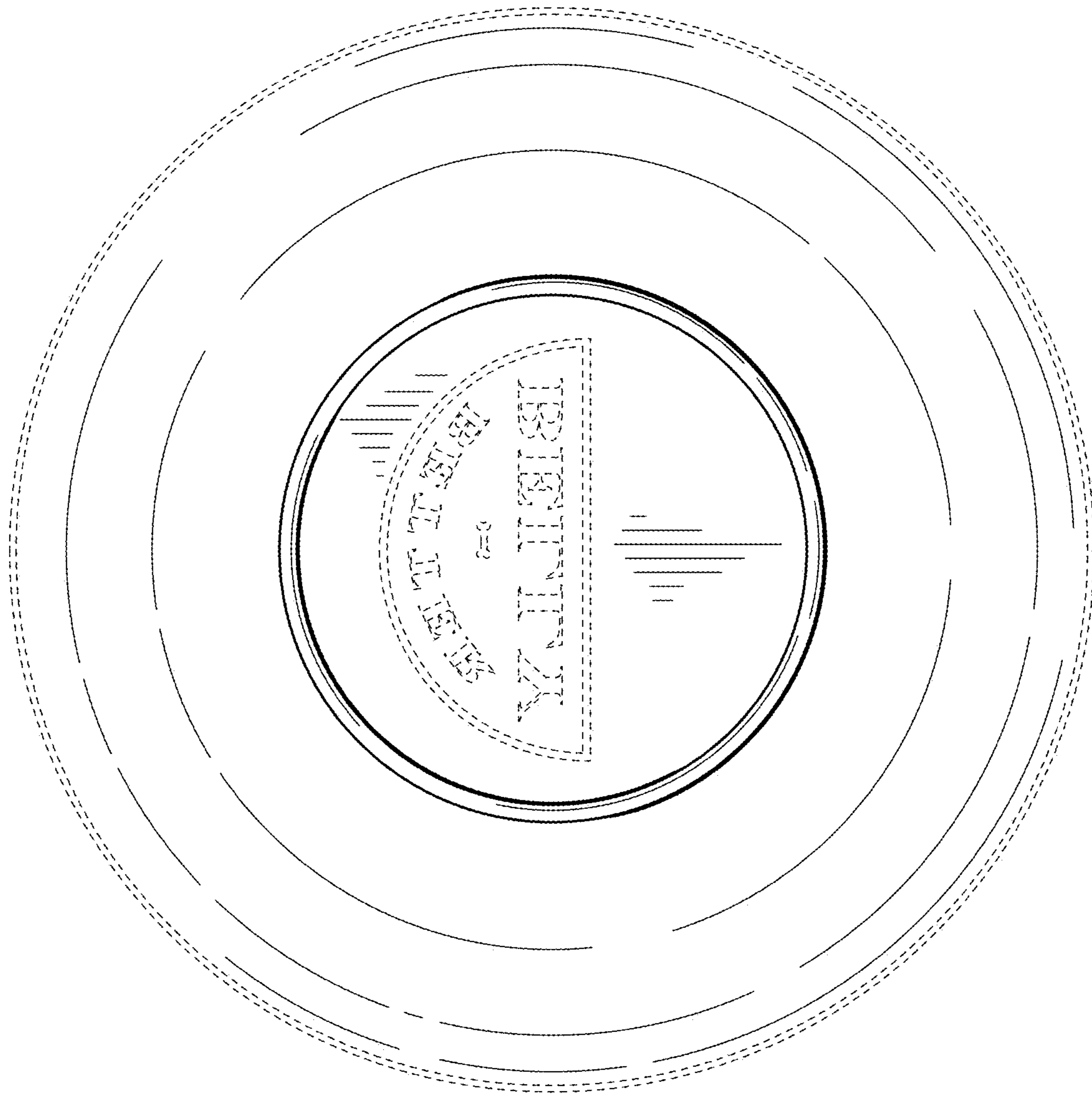


FIG. 14

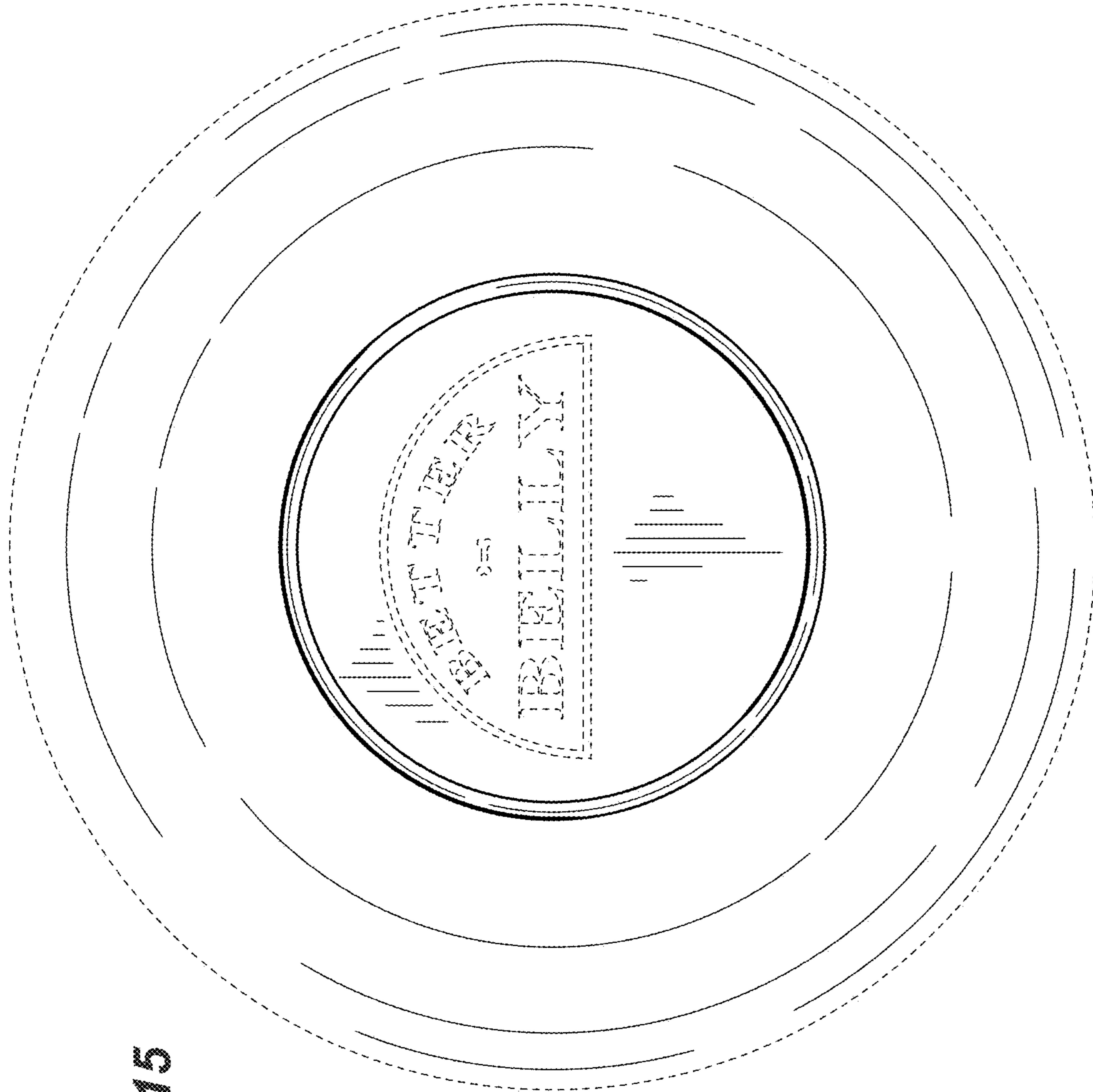


FIG. 15

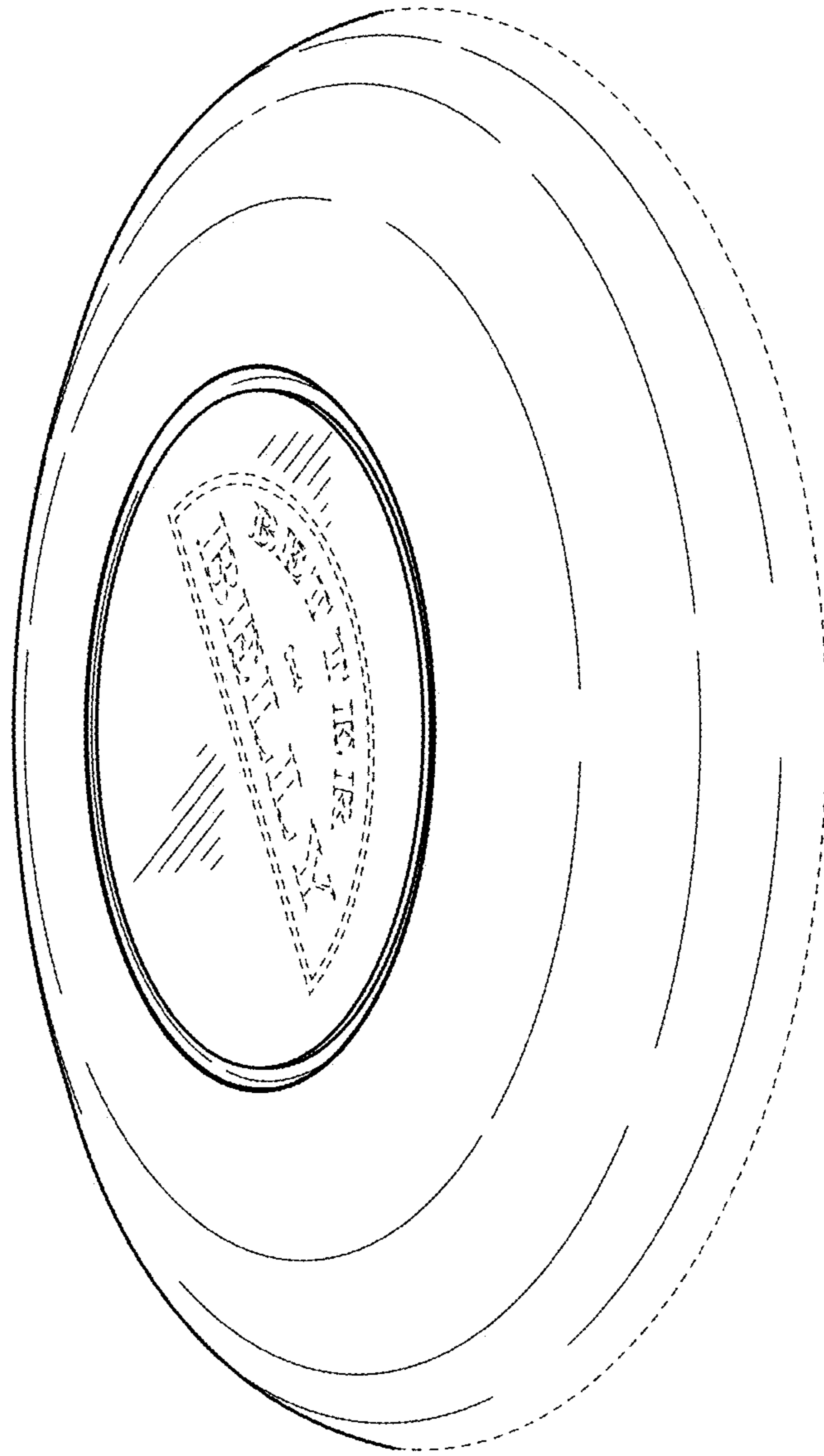


FIG. 16

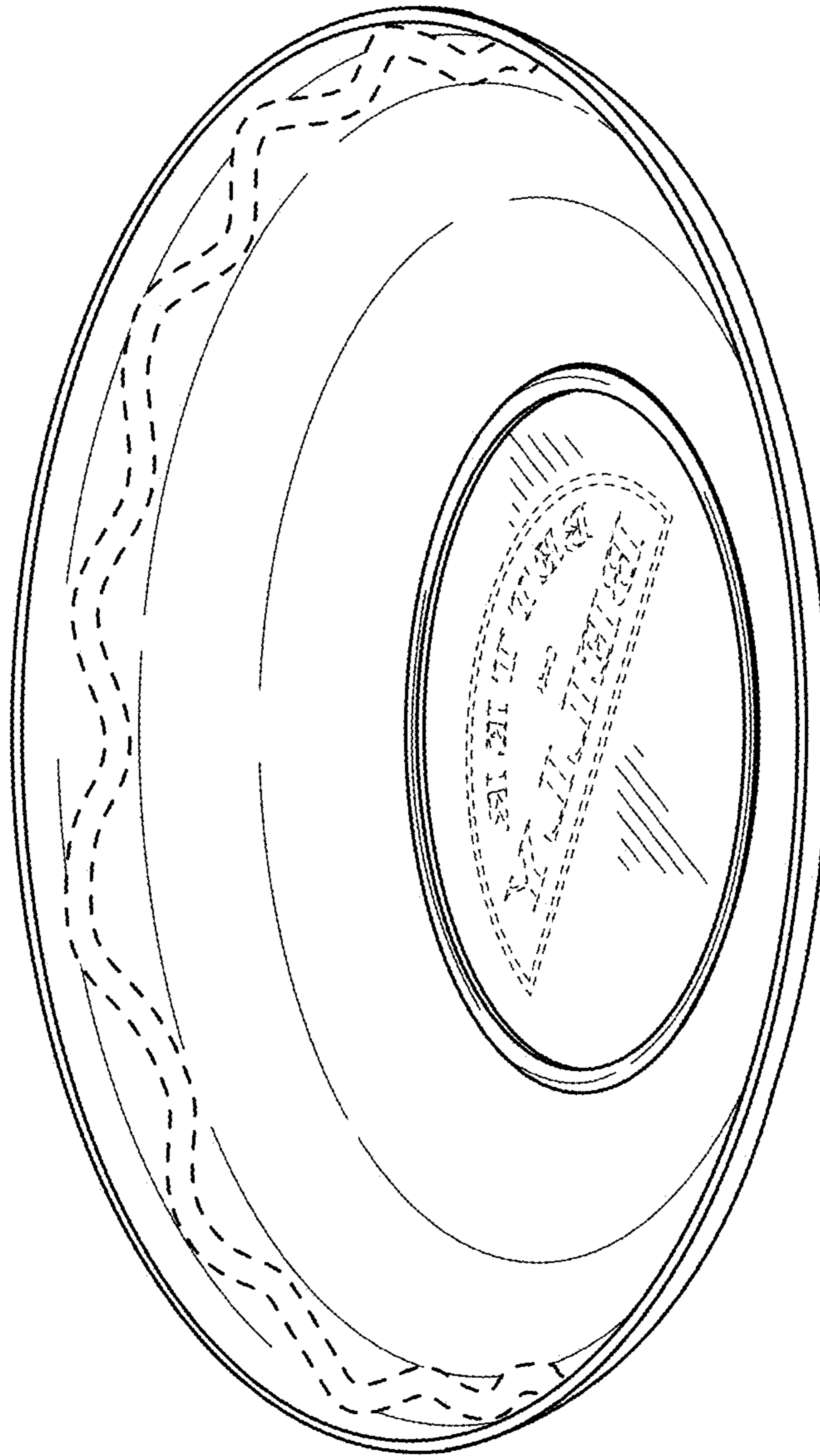


FIG. 17

FIG. 18

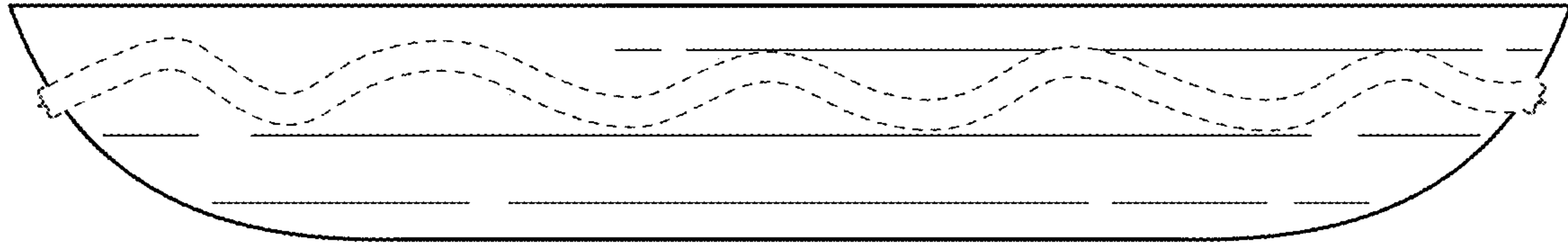


FIG. 19

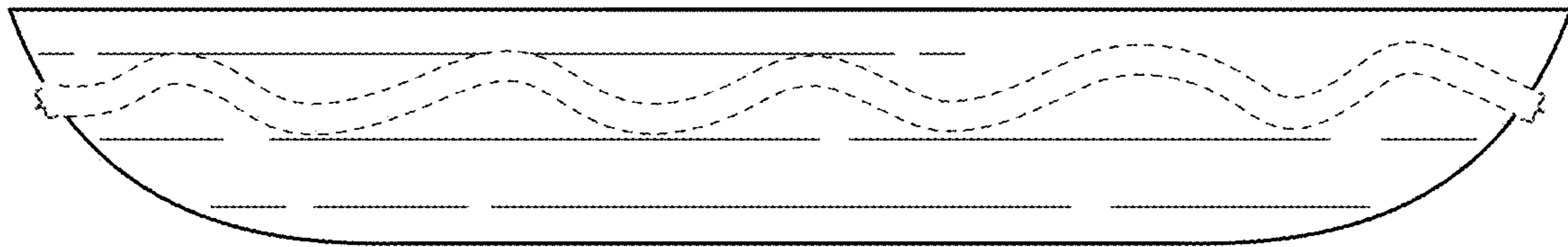


FIG. 20

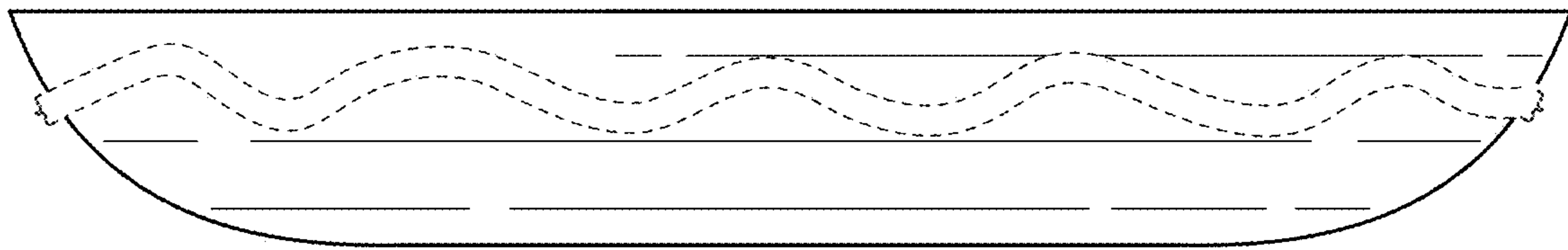
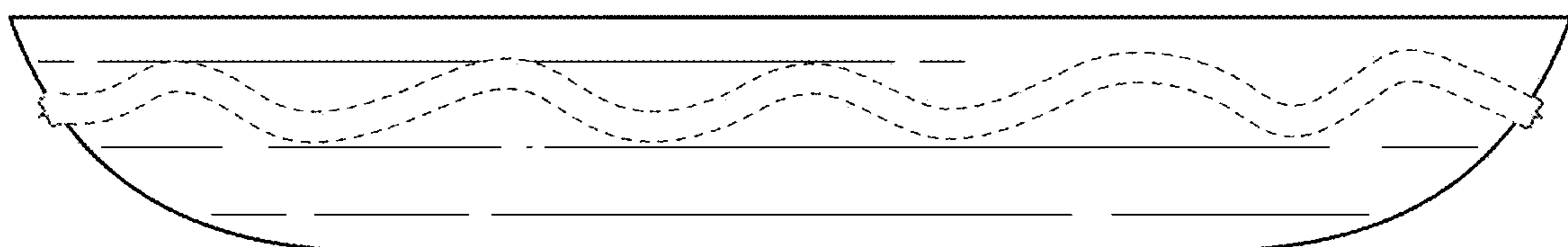


FIG. 21



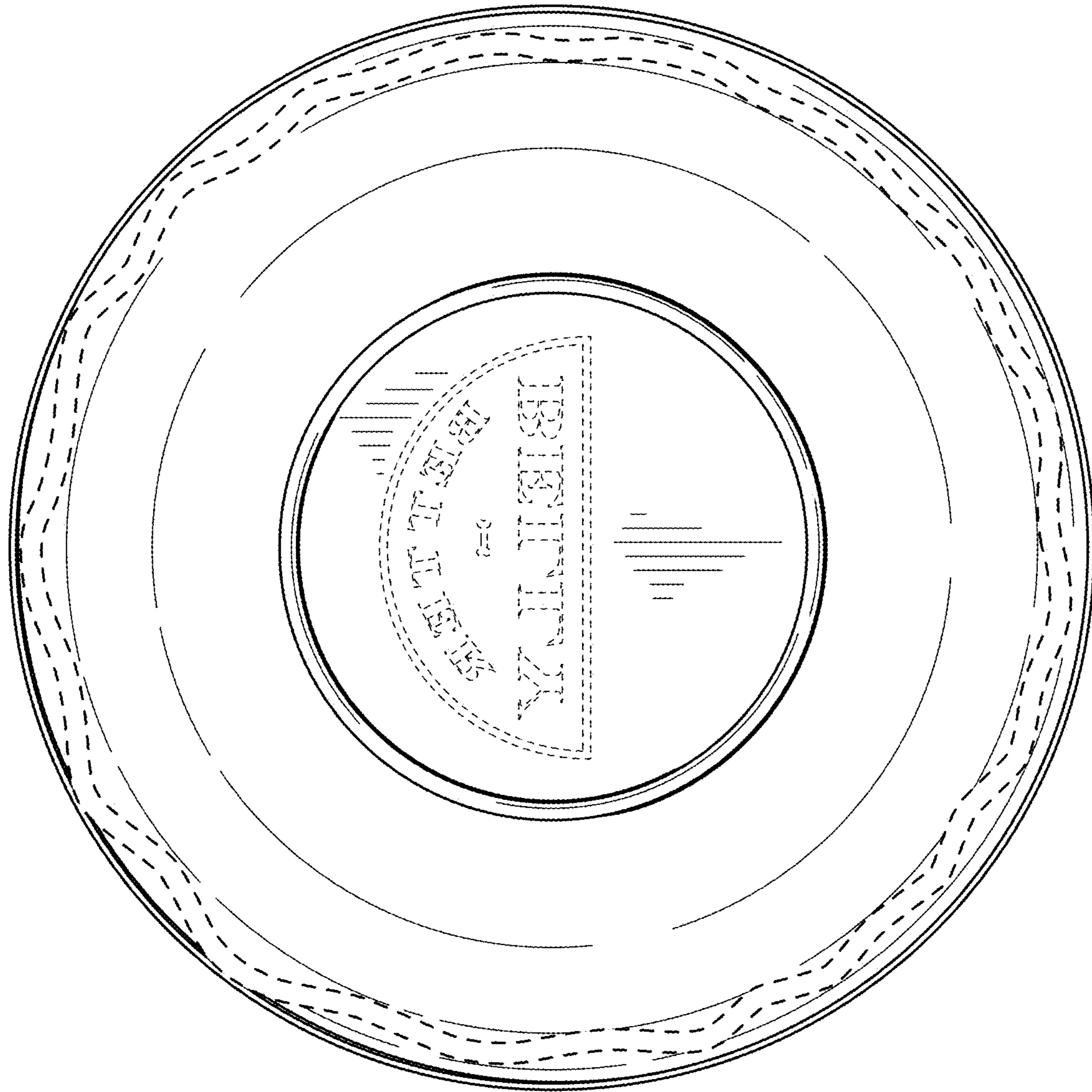


FIG. 22

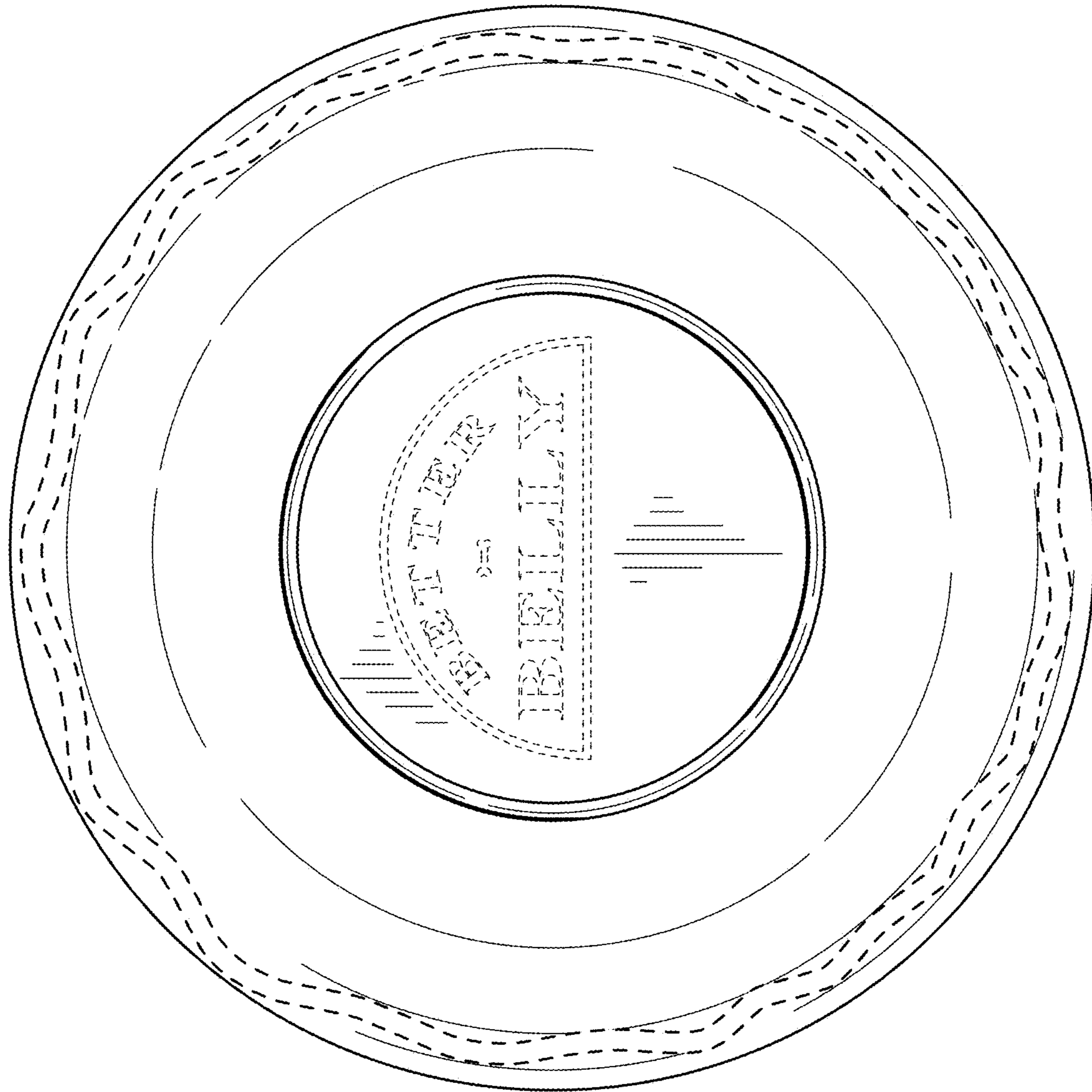


FIG. 23

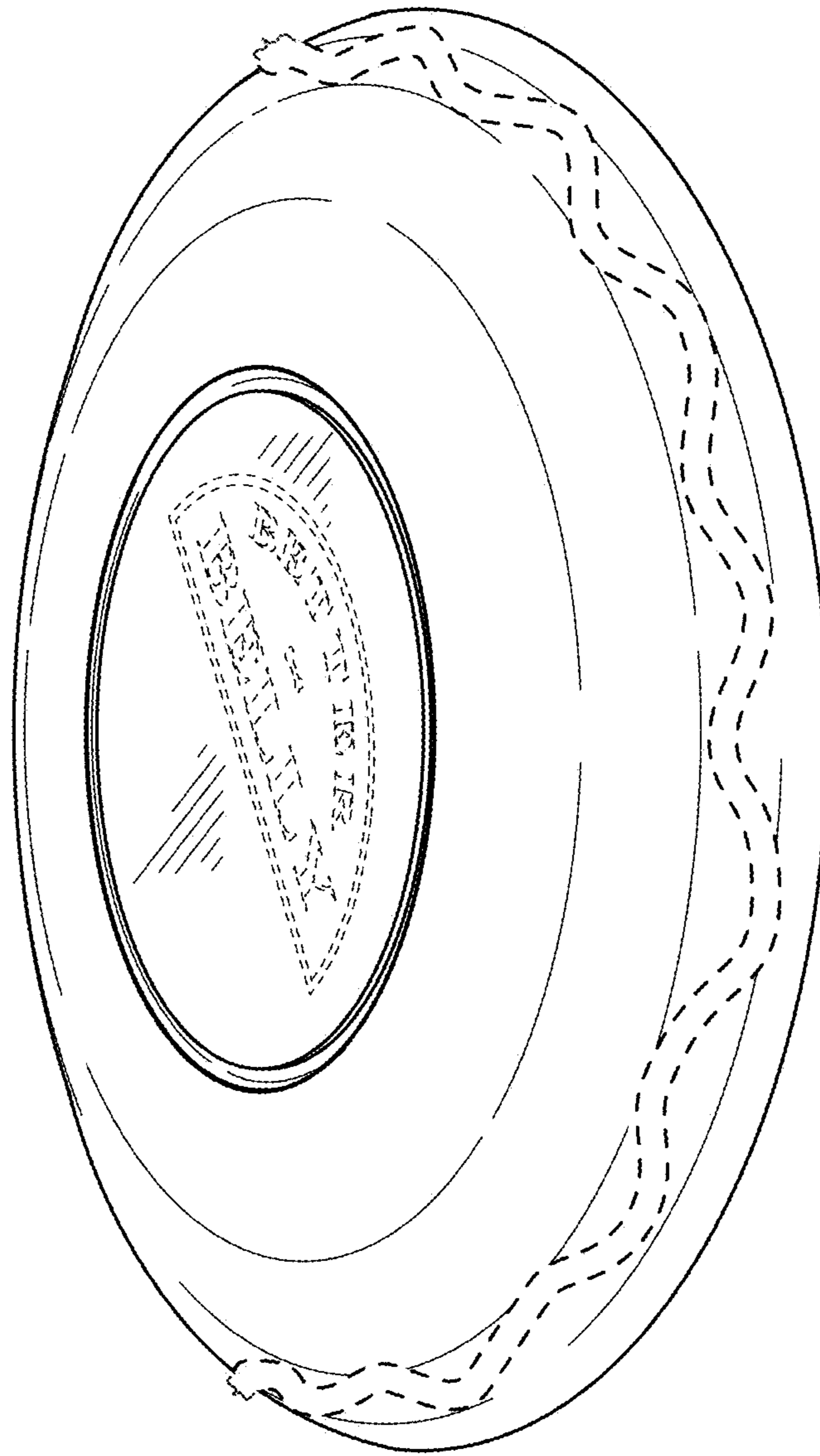


FIG. 24