



US00D973292S

(12) **United States Design Patent**  
**Alexander**

(10) **Patent No.:** **US D973,292 S**

(45) **Date of Patent:** **\*\* Dec. 20, 2022**

(54) **DASHBOARD FOR A PRESSURE WASHER**

FOREIGN PATENT DOCUMENTS

(71) Applicant: **FNA Group, Inc.**, Pleasant Prairie, WI (US)

GN 300908711 S 4/2009

(72) Inventor: **Gus Alexander**, Inverness, IL (US)

OTHER PUBLICATIONS

(73) Assignee: **FNA Group, INC.**, Pleasant Prairie, WI (US)

Simpson®, “Megashot MS60921 3300 PSI @ 2.4 GPM,” (2018), <https://simpsoncleaning.com/products/megashot-ms60921>, last retrieved on Feb. 25, 2020, 1 page.

(\*\*) Term: **15 Years**

Simpson®, “Images of Megashot MS60921 3300 PSI @ 2.4 GPM,” Screen Shots of Pressure Washer retrieved from [<https://simpsoncleaning.com/products/megashot-ms60921/>] on Feb. 25, 2020, 5 pages.

(21) Appl. No.: **29/714,686**

(Continued)

(22) Filed: **Nov. 25, 2019**

(51) **LOC (13) Cl.** ..... **15-05**

*Primary Examiner* — Richard E Chilcot

(52) **U.S. Cl.**

(74) *Attorney, Agent, or Firm* — Hanley, Flight & Zimmerman, LLC

USPC ..... **D32/28**

CPC ..... **F16M 11/42** (2013.01)

(58) **Field of Classification Search**

USPC ..... D32/8, 15, 16, 17, 25, 28; D15/9

CPC .. F16M 11/42; F16M 11/38; F16M 2200/028;

F16M 2200/024; F16M 2200/08; B08B

3/026; B08B 2203/0211

See application file for complete search history.

(56) **References Cited**

U.S. PATENT DOCUMENTS

1,981,674 A \* 11/1934 Solomon ..... A45D 27/22  
248/314

5,687,856 A \* 11/1997 Kendrena ..... A47L 13/512  
211/94.01

D465,624 S \* 11/2002 Kolicheski ..... D32/25

D467,692 S \* 12/2002 Morgan ..... D32/15

D468,591 S \* 1/2003 Lillelund ..... D7/590

6,695,235 B2 \* 2/2004 Faller ..... F16M 11/42  
239/722

D499,848 S \* 12/2004 Leasure ..... D32/15

D532,942 S \* 11/2006 Busschaert ..... D32/15

D546,509 S \* 7/2007 Gilpatrick ..... B08B 3/026  
D32/25

D596,817 S \* 7/2009 Glass ..... D32/25

7,562,780 B2 \* 7/2009 Gilpatrick ..... B08B 3/026  
211/70.6

D639,001 S \* 5/2011 Alexander ..... D32/15

(Continued)

(57) **CLAIM**

The ornamental design for a “dashboard for a pressure washer”, as shown and described in FIGS. 1-9.

**DESCRIPTION**

FIG. 1 is a front, right, top perspective view of a dashboard for a pressure washer. The claim of FIGS. 1-9 is directed to a bottom perimeter edge of the dashboard.

FIG. 2 is a rear, right, top perspective view of the dashboard of FIG. 1.

FIG. 3 is a rear, right, bottom perspective view of the dashboard of FIG. 1.

FIG. 4 is a right side view of the dashboard of FIG. 1.

FIG. 5 is a left side view of the dashboard of FIG. 1.

FIG. 6 is a front view of the dashboard of FIG. 1.

FIG. 7 is left view of the dashboard of FIG. 1.

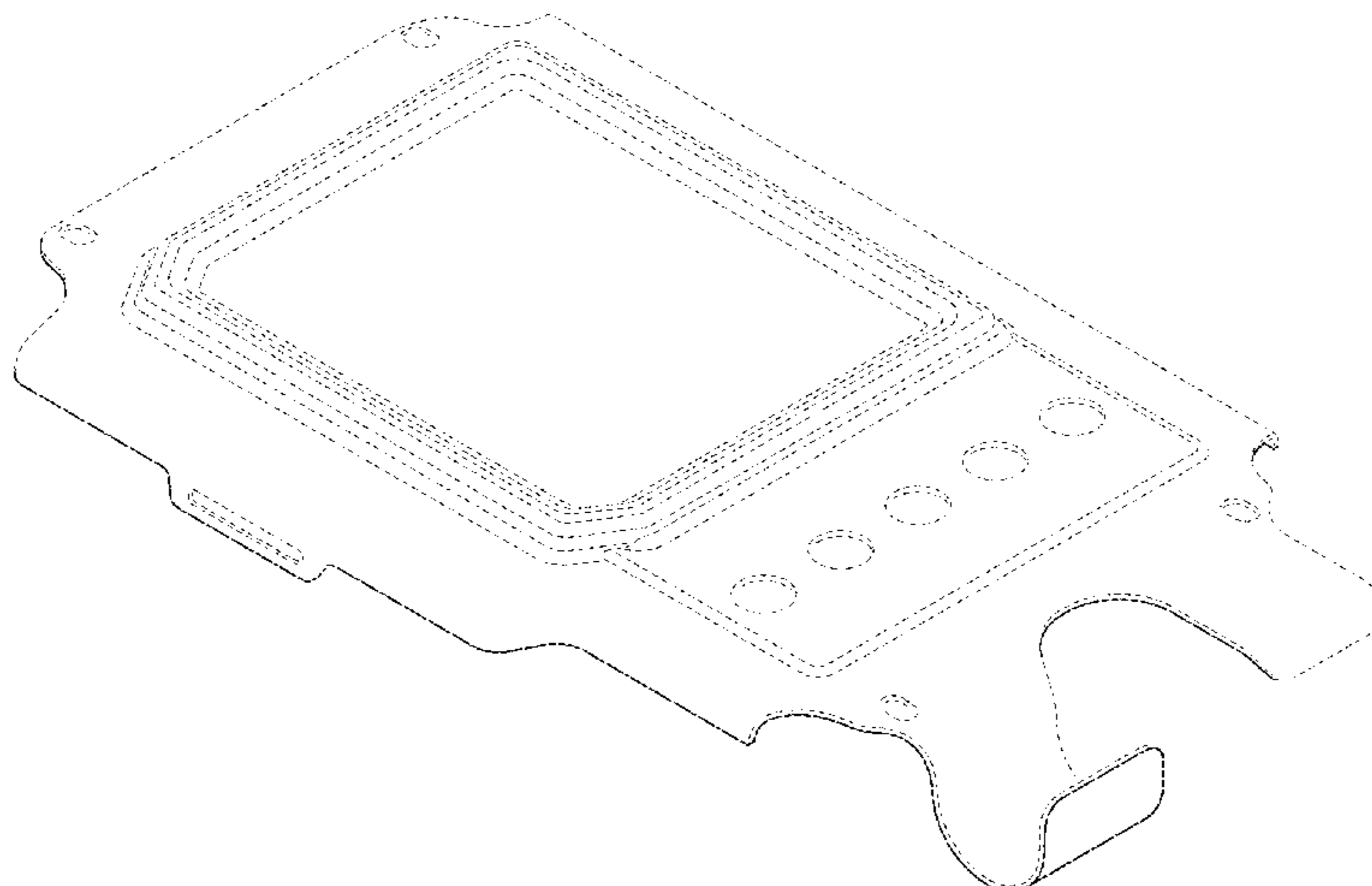
FIG. 8 is a top view of the dashboard of FIG. 1; and,

FIG. 9 is a bottom view of the dashboard of FIG. 1.

The features shown in broken lines form no part of the claimed design.

The lighter solid lines denote surfaces and contours. Line shading is not surface ornamentation.

**1 Claim, 7 Drawing Sheets**



(56)

References Cited

U.S. PATENT DOCUMENTS

D779,746	S *	2/2017	Weinberg	.....	D32/16
D824,613	S *	7/2018	Alexander	.....	D32/16
D854,763	S *	7/2019	Alexander	.....	D32/24
D870,411	S *	12/2019	Alexander	.....	D34/24
D919,909	S *	5/2021	Tschopp	.....	D32/15
D925,845	S *	7/2021	Alexander	.....	D32/15
D929,684	S *	8/2021	Tschopp	.....	D32/16
D932,716	S *	10/2021	Duan	.....	D32/15
11,136,956	B2 *	10/2021	Gilpatrick	.....	F02N 11/0862
D938,673	S *	12/2021	Kanchibhotla	.....	D32/16
D947,471	S *	3/2022	Yang	.....	D32/16
2014/0119949	A1 *	5/2014	Wischstadt	.....	F04B 17/05 417/34
2014/0251390	A1 *	9/2014	Khan	.....	B01F 25/316 134/184
2014/0252138	A1 *	9/2014	Wischstadt	.....	B05B 1/3033 239/589
2014/0263707	A1 *	9/2014	Zernicke	.....	B05B 7/0093 239/452
2014/0263710	A1 *	9/2014	Khan	.....	B05B 9/0416 239/11
2014/0263751	A1 *	9/2014	Zernicke	.....	B05B 9/007 29/890.143
2014/0263754	A1 *	9/2014	Nushart	.....	B08B 3/028 239/442
2021/0270224	A1 *	9/2021	Alexander	.....	F02N 11/0862
2021/0408820	A1 *	12/2021	Koenen	.....	H02J 7/0013

OTHER PUBLICATIONS

Kill-O-Byte, "Simpson MegaShot Pressure Washer Review and HowTo," dated Jun. 23, 2018, example images captured from video retrieved from [<https://www.youtube.com/watch?v=2fm4g-0Ucyw>] on Feb. 25, 2020, 2 pages.

Simpson®, "Premium Pressure Washer Instruction Manual," dated Dec. 2017, 76 pages.

Mexican Institute of Industrial Property, "Office Action", issued in connection with Mexican Patent Application No. MX/f/2020/001199 on Feb. 25, 2022, 9 pages (English Translation Included).

Mexican Institute of Industrial Property, "Restriction Requirement", issued in connection with Mexican Patent Application No. MX/f/2020/001199 on Jun. 10, 2021, 15 pages (English Translation Included).

Mexican Institute of Industrial Property, "Office Action", issued in connection with Mexican Patent Application No. MF/f/2020/001198 on Feb. 25, 2022, 10 pages (English Translation Included).

Mexican Institute of Industrial Property, "Restriction Requirement", issued in connection with Mexican Patent Application No. MX/f/2020/001198 on Jun. 10, 2021, 15 pages (English Translation Included).

Canadian Intellectual Property Office, "Examination Report", issued in connection with Canadian Patent Application No. 195765 on Oct. 22, 2021, 2 pages.

Canadian Intellectual Property Office, "Examination Report", issued in connection with Canadian Patent Application No. 195764 on Oct. 22, 2021, 2 pages.

\* cited by examiner

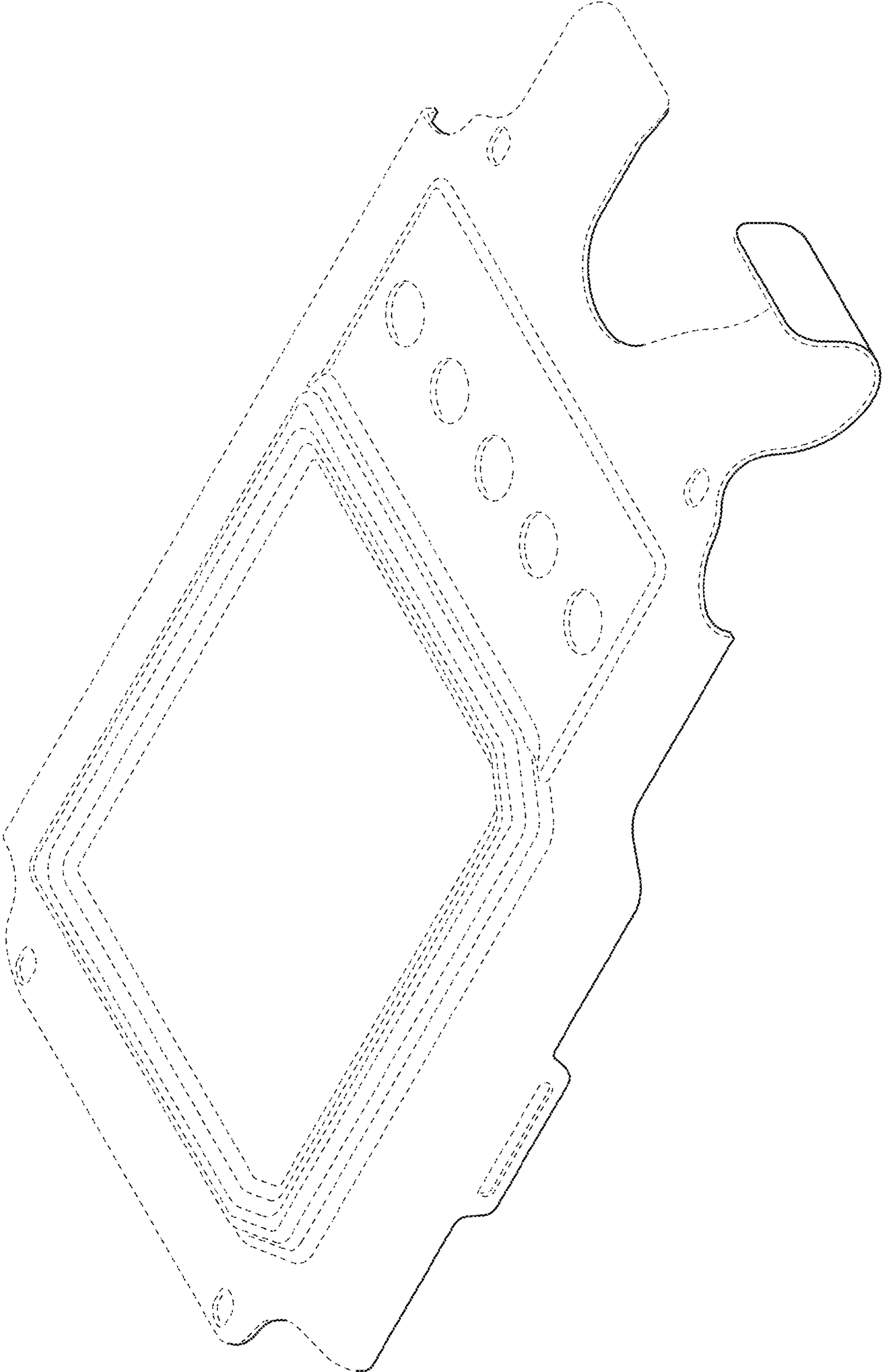


FIG. 1

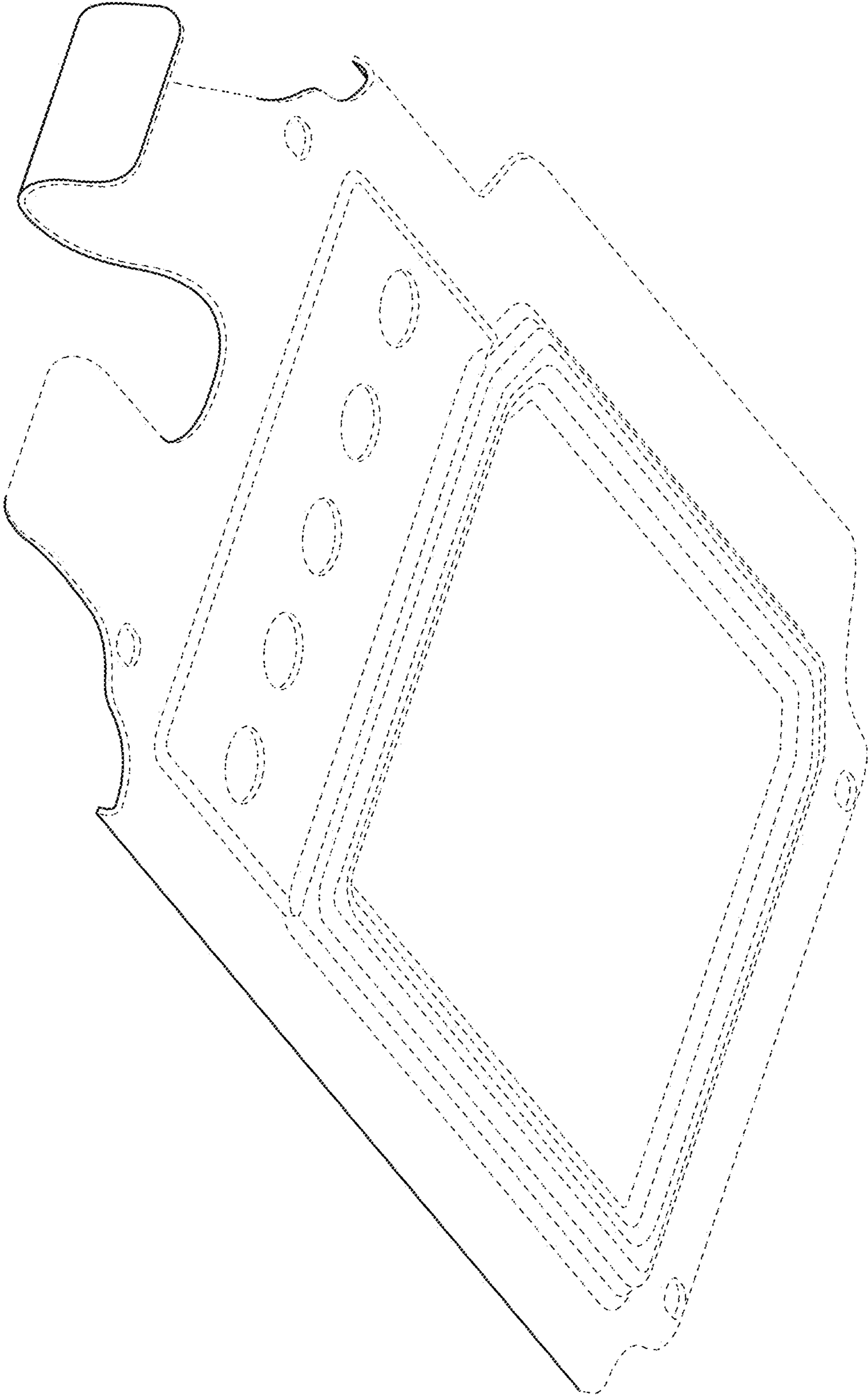


FIG. 2

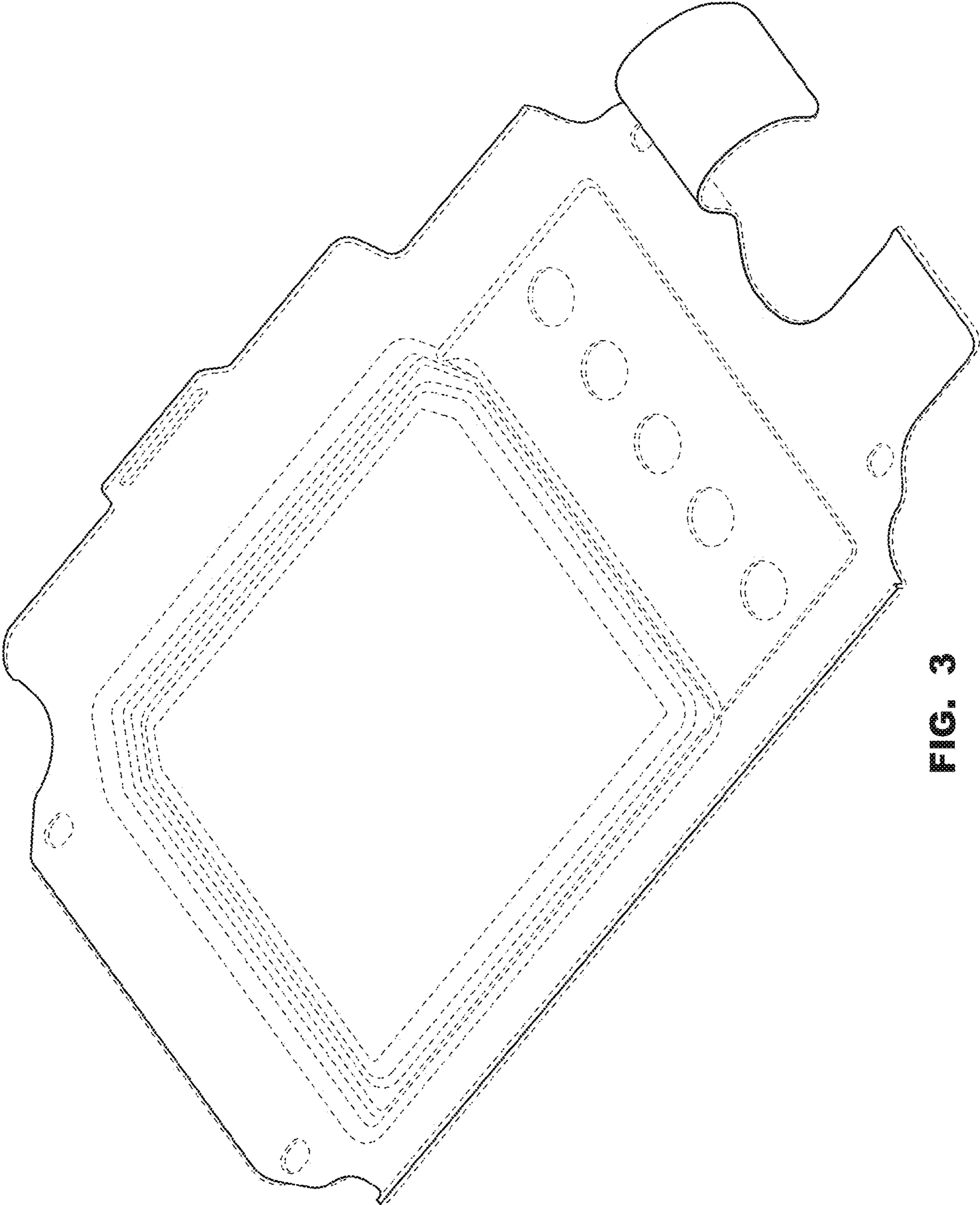
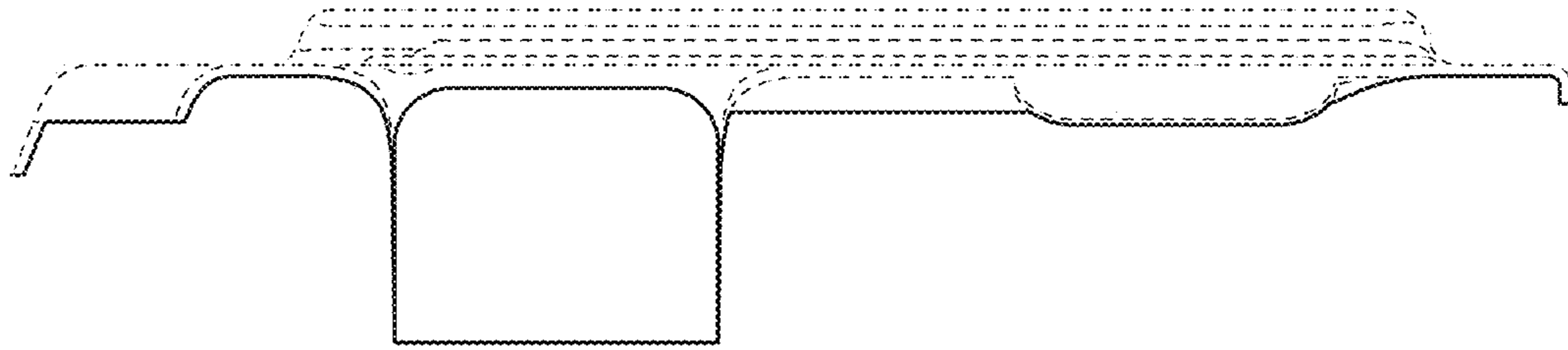
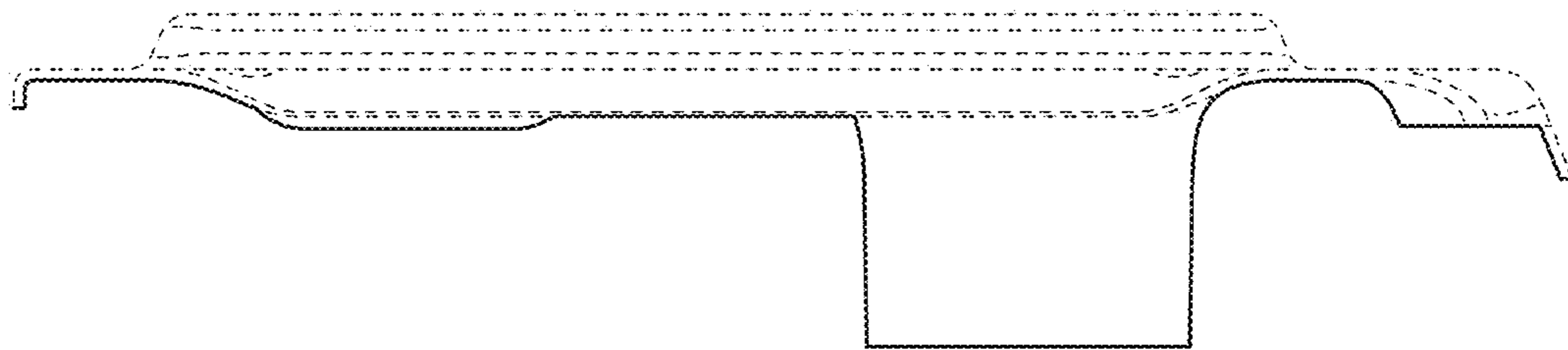


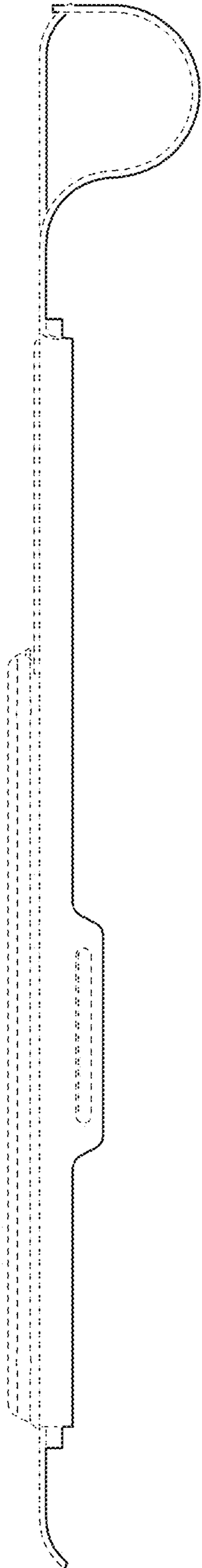
FIG. 3



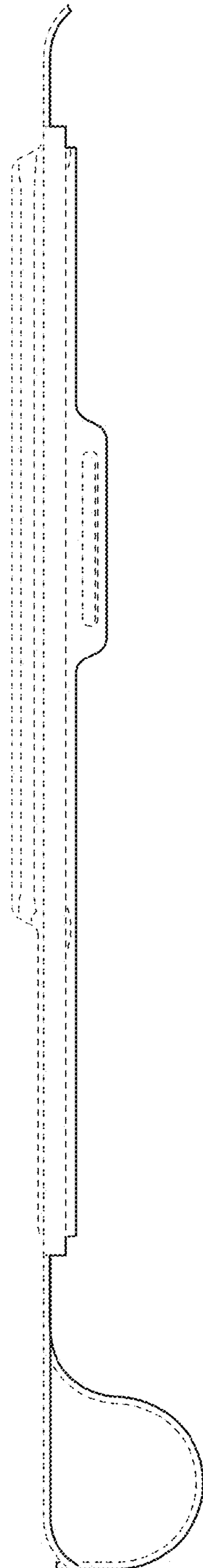
**FIG. 4**



**FIG. 5**



**FIG. 6**



**FIG. 7**

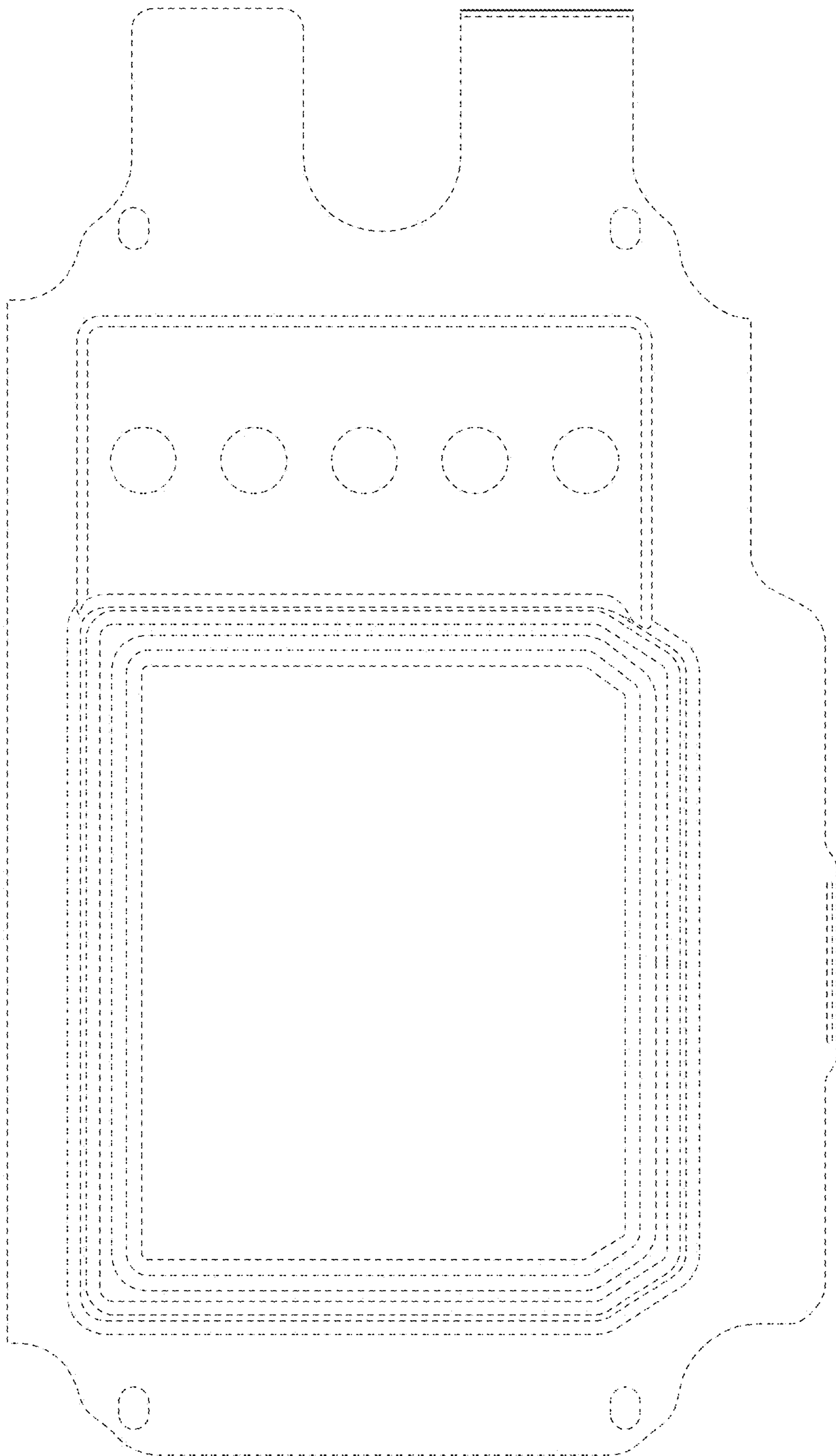


FIG. 8



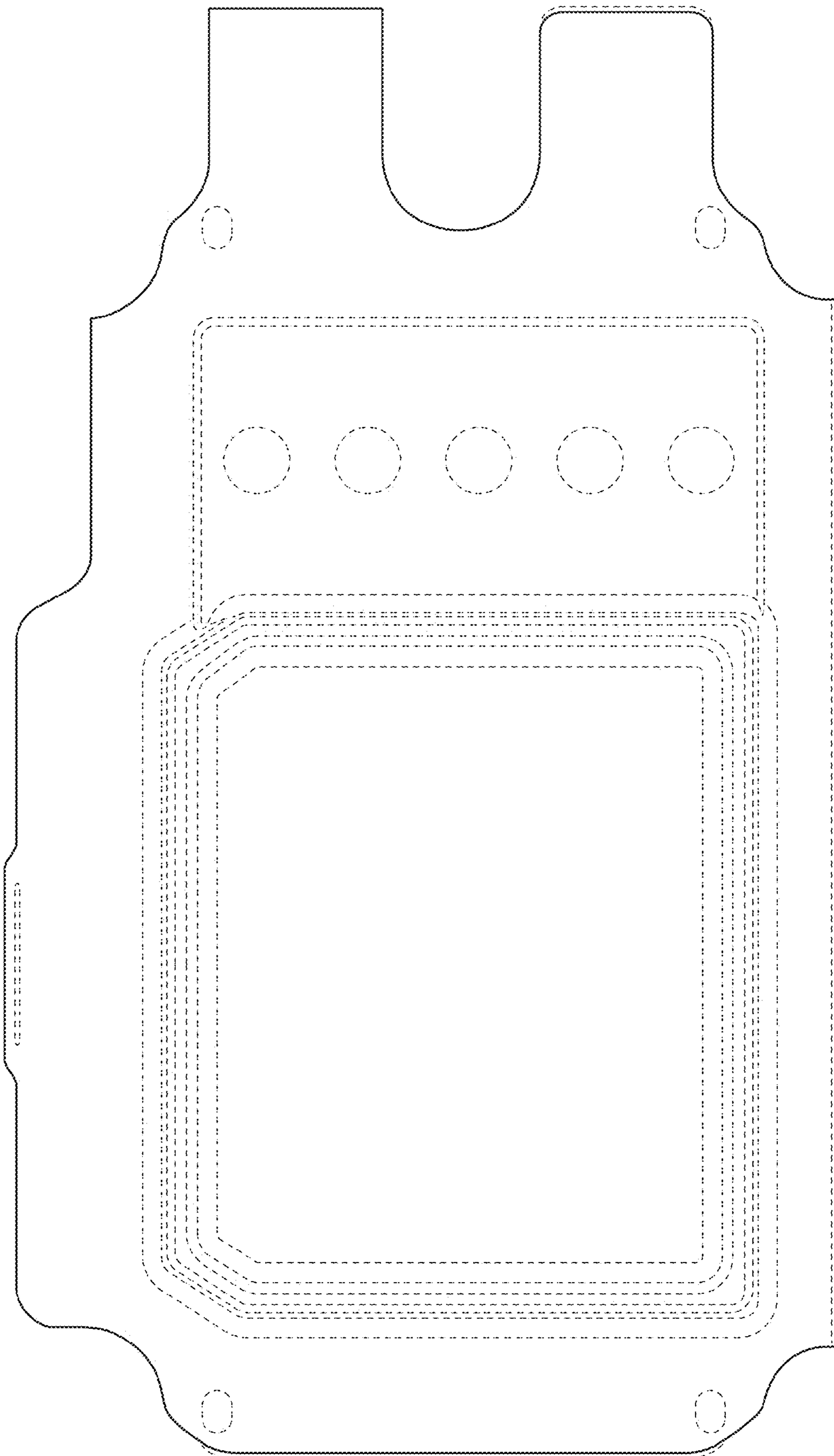


FIG. 9