



US00D973290S

(12) **United States Design Patent** (10) **Patent No.:** **US D973,290 S**  
**Naik et al.** (45) **Date of Patent:** **\*\* Dec. 20, 2022**

(54) **DISHWASHER RACK WITH SPRAYER**

(71) Applicant: **Whirlpool Corporation**, Benton Harbor, MI (US)

(72) Inventors: **Sujit S. Naik**, Pune (IN); **Floyd Jackson**, Baroda, MI (US); **Ameresh B. Viswanathan**, Saint Joseph, MI (US); **Jonathan D. Pugh**, Benton Harbor, MI (US); **Darryl C. Bodine**, Saint Joseph, MI (US)

(73) Assignee: **Whirlpool Corporation**, Benton Harbor, MI (US)

(\*\*) Term: **15 Years**

(21) Appl. No.: **29/705,942**

(22) Filed: **Sep. 17, 2019**

**Related U.S. Application Data**

(63) Continuation of application No. 16/232,647, filed on Dec. 26, 2018, now Pat. No. 11,006,813.

(51) **LOC (13) Cl.** ..... **15-05**

(52) **U.S. Cl.**  
USPC ..... **D32/3**

(58) **Field of Classification Search**  
USPC ..... D32/2, 3, 55; D3/304, 306, 311-312; D6/663, 675.2, 705, 705.6; D7/600.1, D7/600.3

CPC ..... A47L 15/00; A47L 15/14; A47L 15/16; A47L 15/18; A47L 15/0076; A47L 15/0092; A47L 15/24; A47L 15/50; A47L 15/506; A47L 15/4221; A47L 15/23; A47L 15/04; A47L 15/507; A47L 19/04; A47B 2210/04; A47B 88/40

See application file for complete search history.

(56) **References Cited**

**U.S. PATENT DOCUMENTS**

D383,879 S \* 9/1997 Good ..... D32/3  
D393,505 S \* 4/1998 Good ..... D32/3  
D398,092 S \* 9/1998 Good ..... D32/3

(Continued)

**FOREIGN PATENT DOCUMENTS**

CN 307125899 \* 2/2022  
DE 2907916 A1 9/1980

(Continued)

**OTHER PUBLICATIONS**

An Overview of KitchenAid Dishwasher KDTM404KPS, announced in YouTube on Jan. 19, 2021 [online], [site visited Apr. 5, 2022], Available from the internet URL: An Overview of KitchenAid Dishwasher (KDTM404KPS) | KitchenAid Dishwasher Review (2021) (Year: 2021).\*

(Continued)

*Primary Examiner* — Amy C Wierenga

*Assistant Examiner* — Jennylou M Binas

(74) *Attorney, Agent, or Firm* — McGarry Bair PC

(57) **CLAIM**

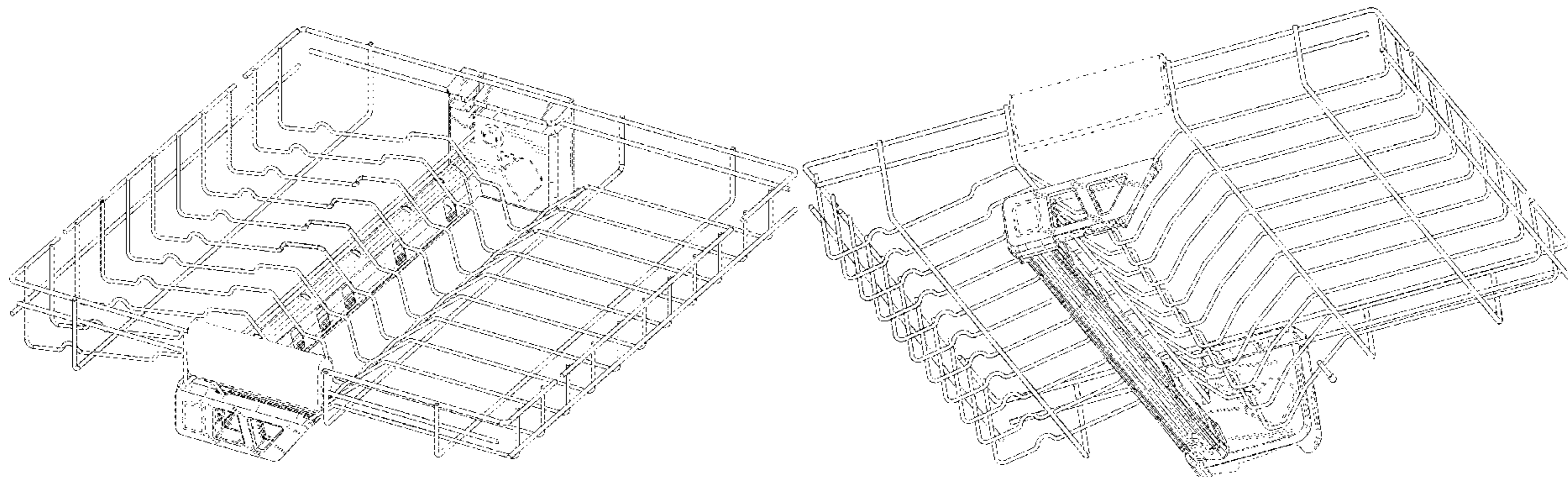
The ornamental design for a dishwasher rack and sprayer, as shown and described.

**DESCRIPTION**

FIG. 1 is a top perspective view of a dishwasher rack with sprayer, showing our new design;  
FIG. 2 is a bottom perspective view thereof;  
FIG. 3 is a front view thereof;  
FIG. 4 is a right side view thereof;  
FIG. 5 is a left side view thereof;  
FIG. 6 is rear view thereof;  
FIG. 7 is a top view thereof; and,  
FIG. 8 is a bottom view thereof.

The portions of the dishwasher rack with sprayer shown in broken lines form no part of the claimed design.

**1 Claim, 8 Drawing Sheets**



(56)

References Cited

U.S. PATENT DOCUMENTS

7,621,286 B2 11/2009 Frei et al.  
 7,896,977 B2\* 3/2011 Gillum ..... A47L 15/14  
 134/57 D  
 8,408,403 B2\* 4/2013 Hedstrom ..... A47L 15/505  
 211/181.1  
 8,646,620 B2\* 2/2014 Klump ..... A47L 15/50  
 211/41.8  
 8,778,094 B2\* 7/2014 Blanchard ..... A47L 15/4219  
 134/144  
 8,801,863 B2\* 8/2014 Blanchard ..... A47L 15/4278  
 134/144  
 8,813,766 B2\* 8/2014 Bhajak ..... A47L 15/4246  
 134/135  
 8,820,544 B2\* 9/2014 Lindgren ..... A47L 15/505  
 211/41.8  
 8,915,560 B2\* 12/2014 Cox ..... A47L 15/507  
 312/228  
 9,113,773 B2\* 8/2015 Bartloff ..... A47F 5/01  
 9,241,607 B2 1/2016 Porcaro, II et al.  
 9,326,657 B2 5/2016 Thiyagarajan  
 9,420,938 B2 8/2016 Forst et al.  
 9,532,701 B2 1/2017 Feddema et al.  
 9,579,009 B2\* 2/2017 Bhajak ..... A47L 15/504  
 9,596,975 B2\* 3/2017 Bhajak ..... A47L 15/4246  
 9,629,516 B2\* 4/2017 Chen ..... A47L 15/507  
 10,716,449 B2\* 7/2020 Balinski ..... A47L 15/22  
 10,888,212 B2\* 1/2021 Feddema ..... A47L 15/48  
 10,952,589 B2\* 3/2021 Brightbill ..... A47L 15/4221  
 11,006,813 B2\* 5/2021 Naik ..... A47L 15/50

11,219,350 B2\* 1/2022 Fawaz ..... A47L 15/507  
 D950,877 S \* 5/2022 Tuang ..... D32/55  
 11,337,583 B2\* 5/2022 Feddema ..... A47L 15/48  
 D956,372 S \* 6/2022 Pugh ..... D32/3  
 D957,779 S \* 7/2022 Zang ..... D32/55  
 11,375,874 B2\* 7/2022 Feddema ..... A47L 15/4246  
 2007/0158472 A1 7/2007 Calhoun et al.  
 2009/0255560 A1 10/2009 Lehmann et al.  
 2013/0255733 A1 10/2013 Ju et al.  
 2015/0129004 A1 5/2015 Lee et al.  
 2021/0298561 A1\* 9/2021 Feddema ..... A47L 15/46

FOREIGN PATENT DOCUMENTS

EP 1334687 A1 8/2003  
 EP 2192852 A1 6/2010  
 GB 2058852 \* 1/1997  
 KR 200300795 Y 12/2002  
 KR 301079101.0000 \* 10/2020  
 KR 301079752.0000 \* 10/2020  
 KR 301079754.0000 \* 10/2020  
 KR 301130470.0000 \* 10/2021

OTHER PUBLICATIONS

Part GEHWD28X10210, available in <https://www.appliancefactoryparts.com> customer review oldest date Dec. 27, 2014 [online], [site visited Apr. 5, 2022], Available from the internet URL: <https://www.appliancefactoryparts.com/search/part/1109159/> (Year: 2014).\*

\* cited by examiner

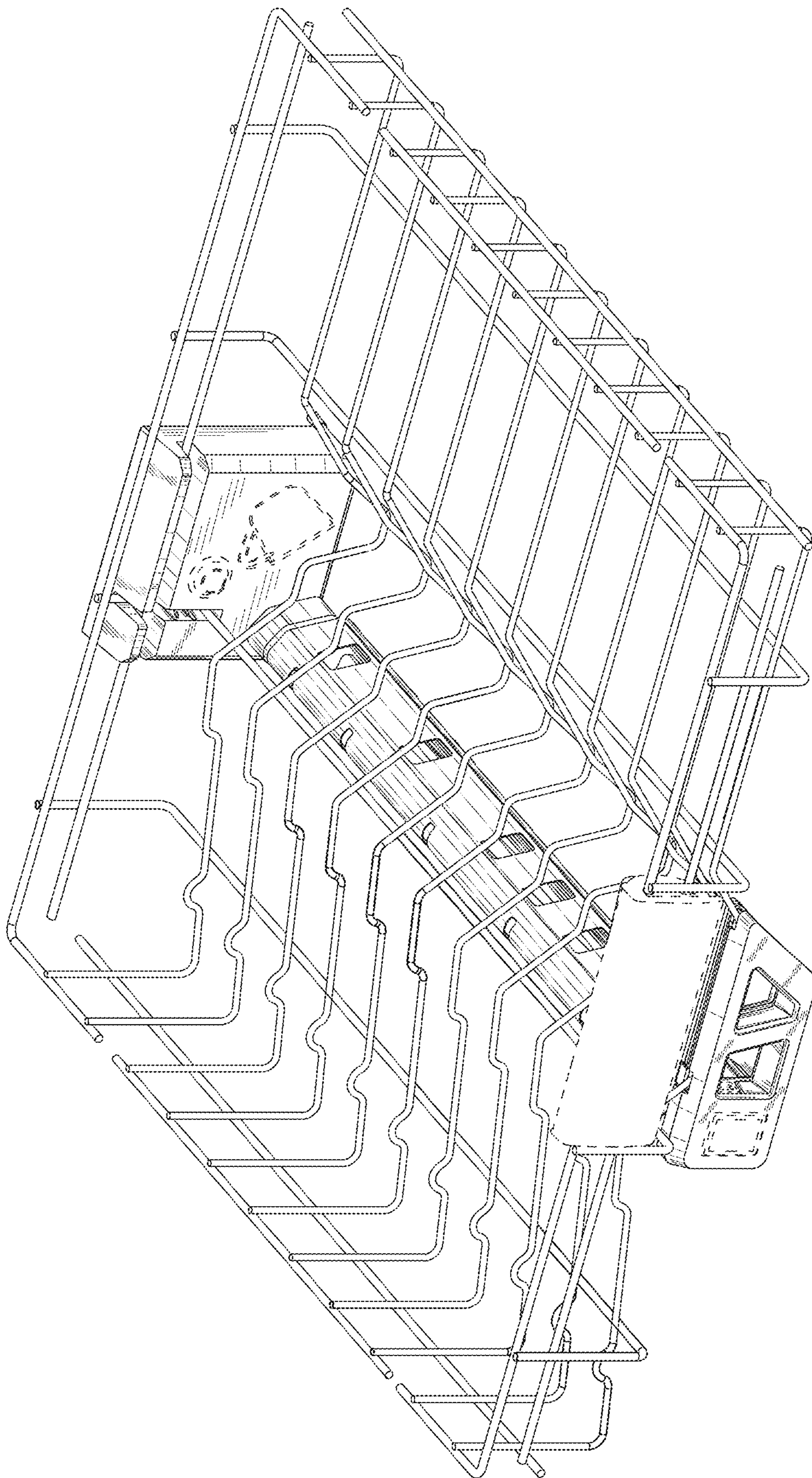


FIG. 1

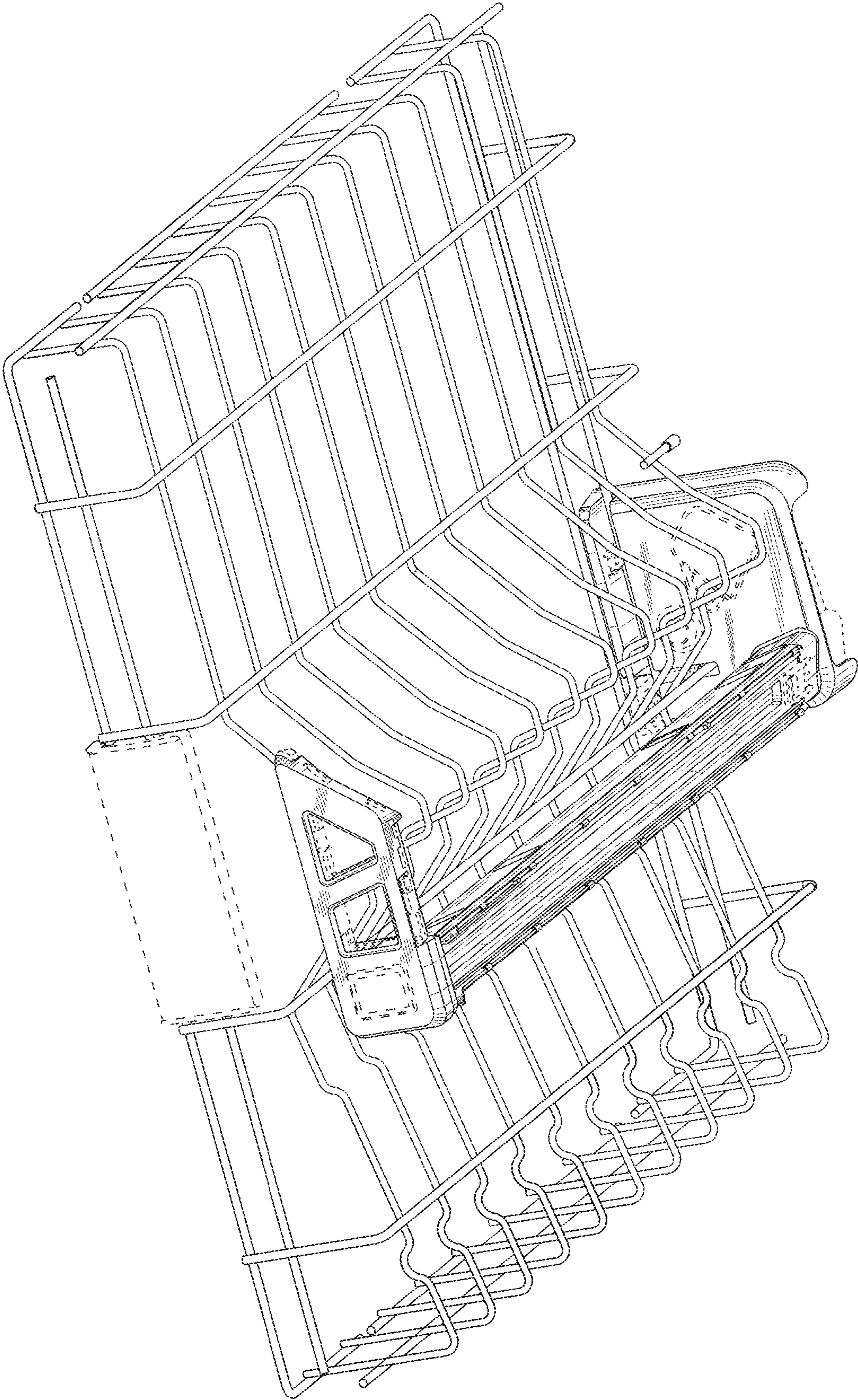


FIG. 2

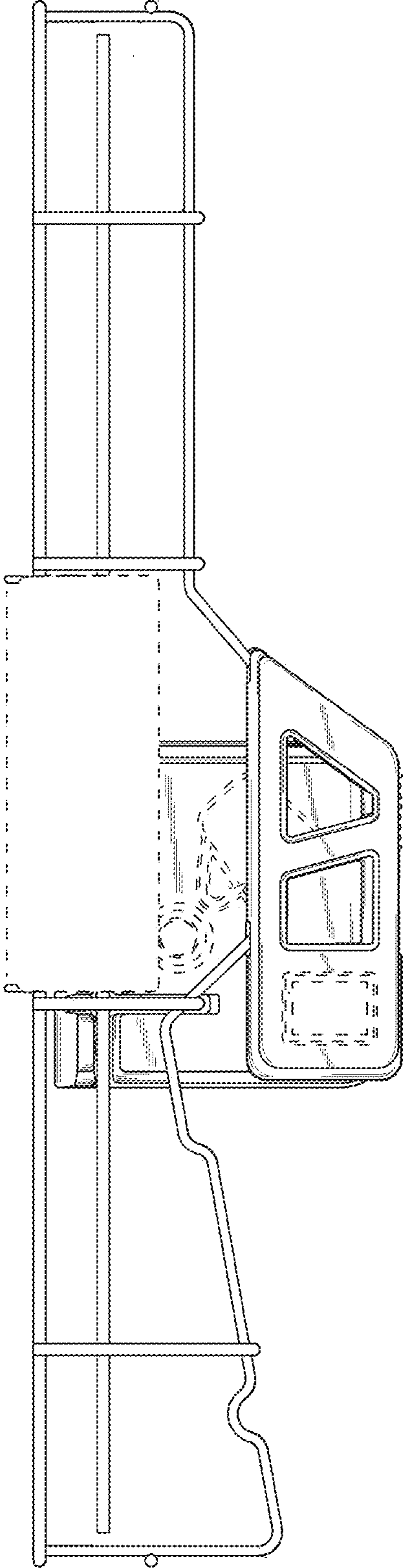


FIG. 3

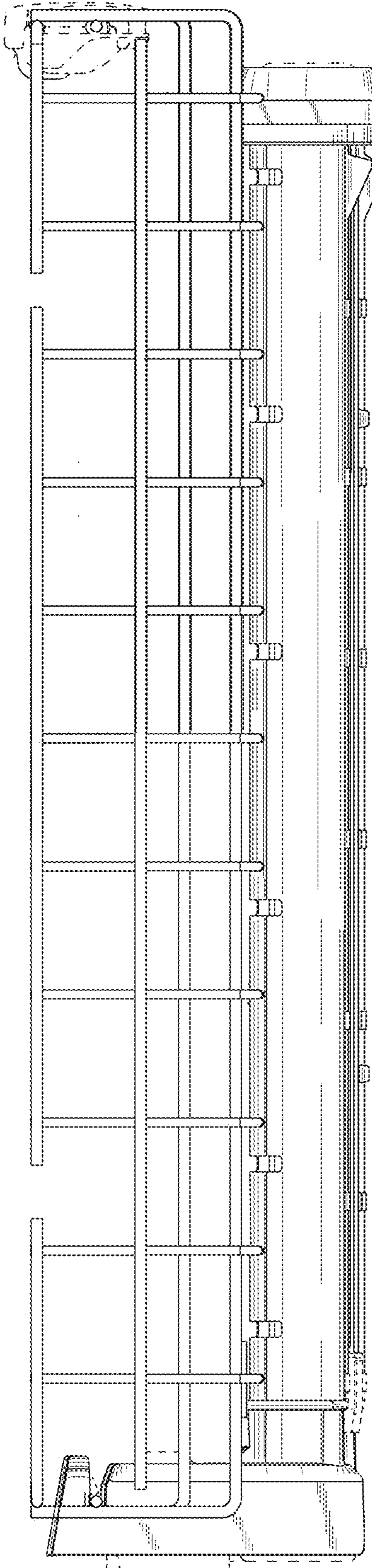


FIG. 4

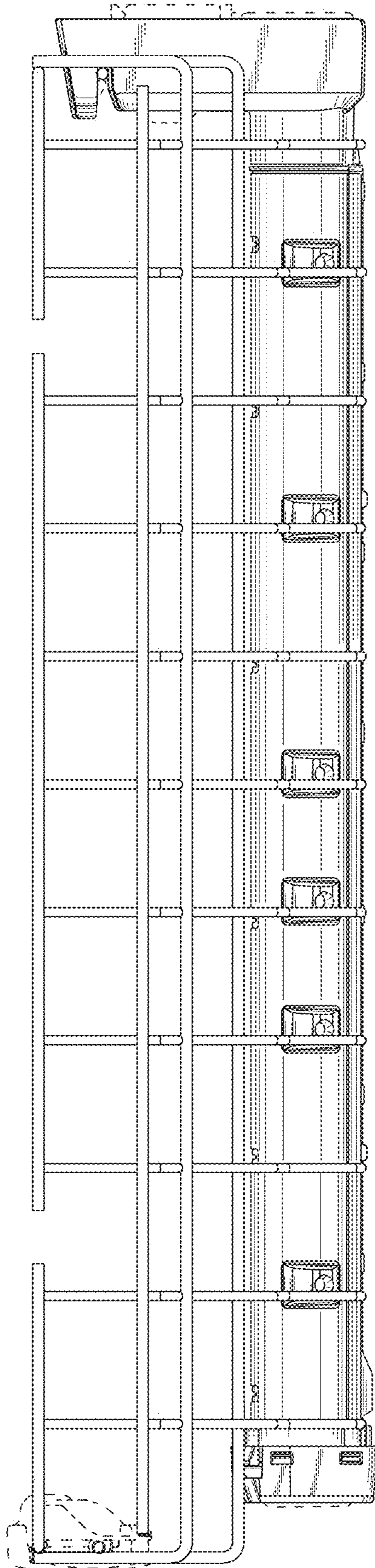


FIG. 5

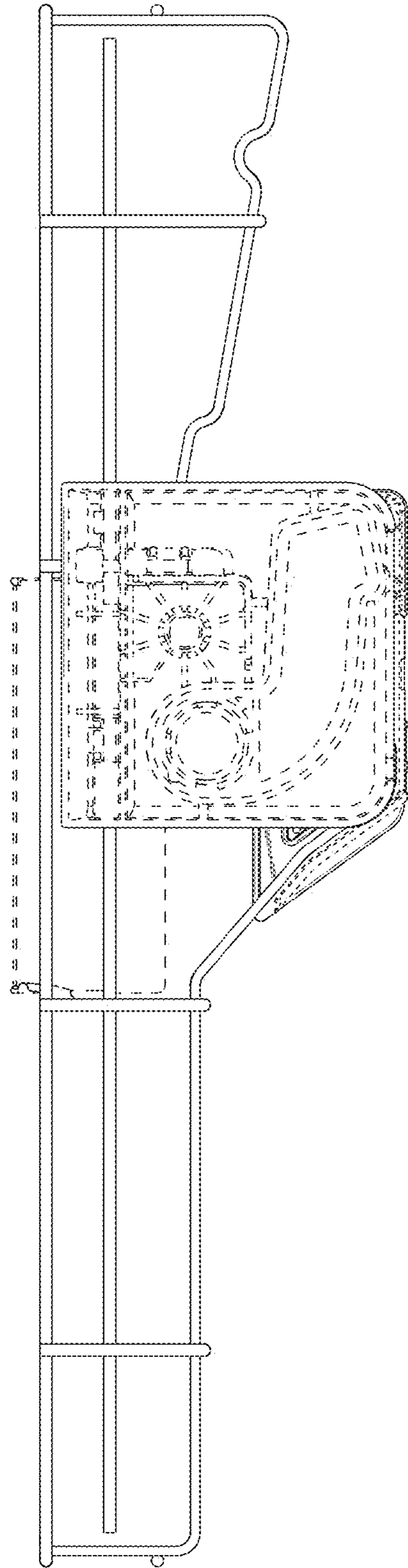


FIG. 6



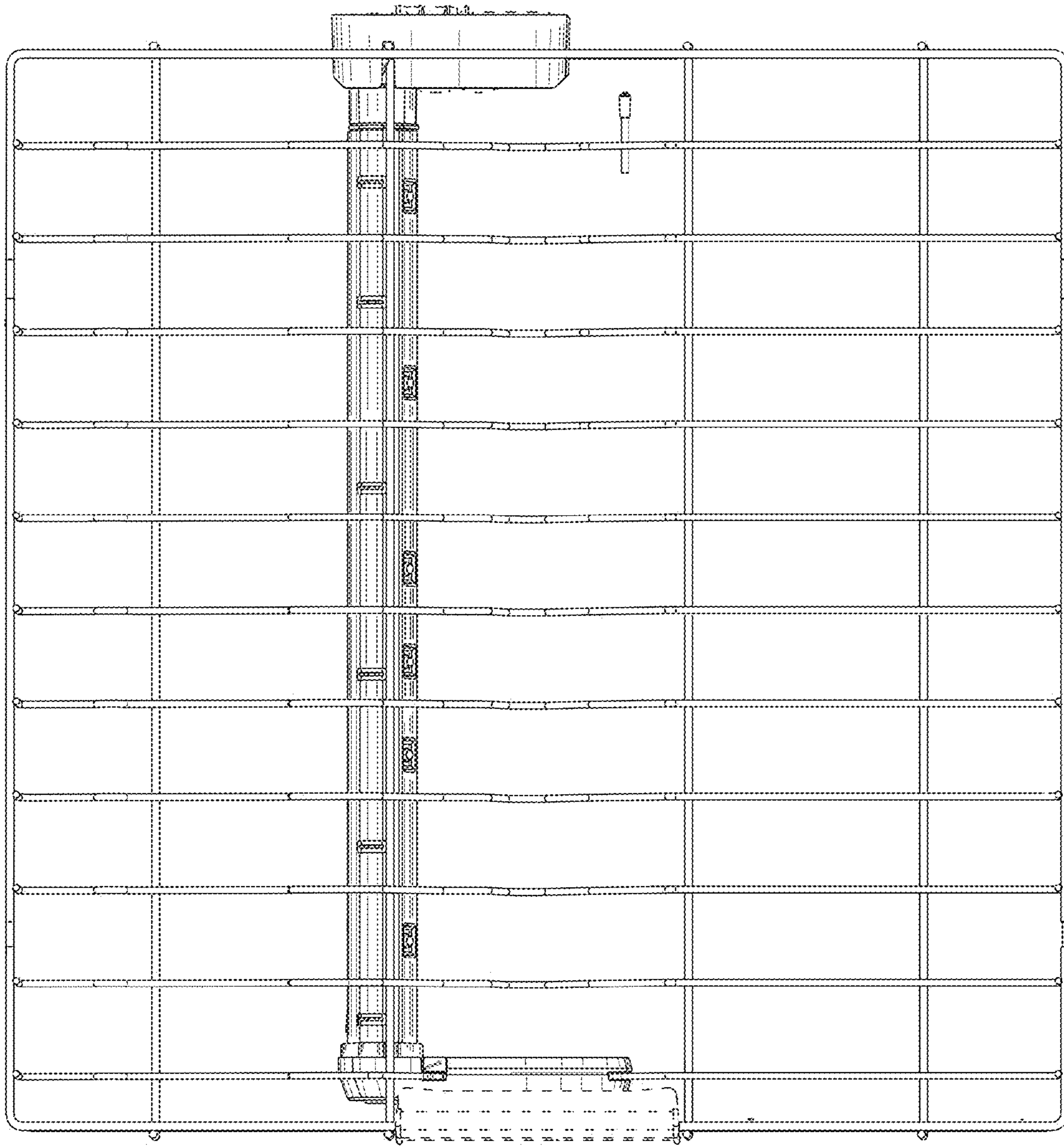


FIG. 7

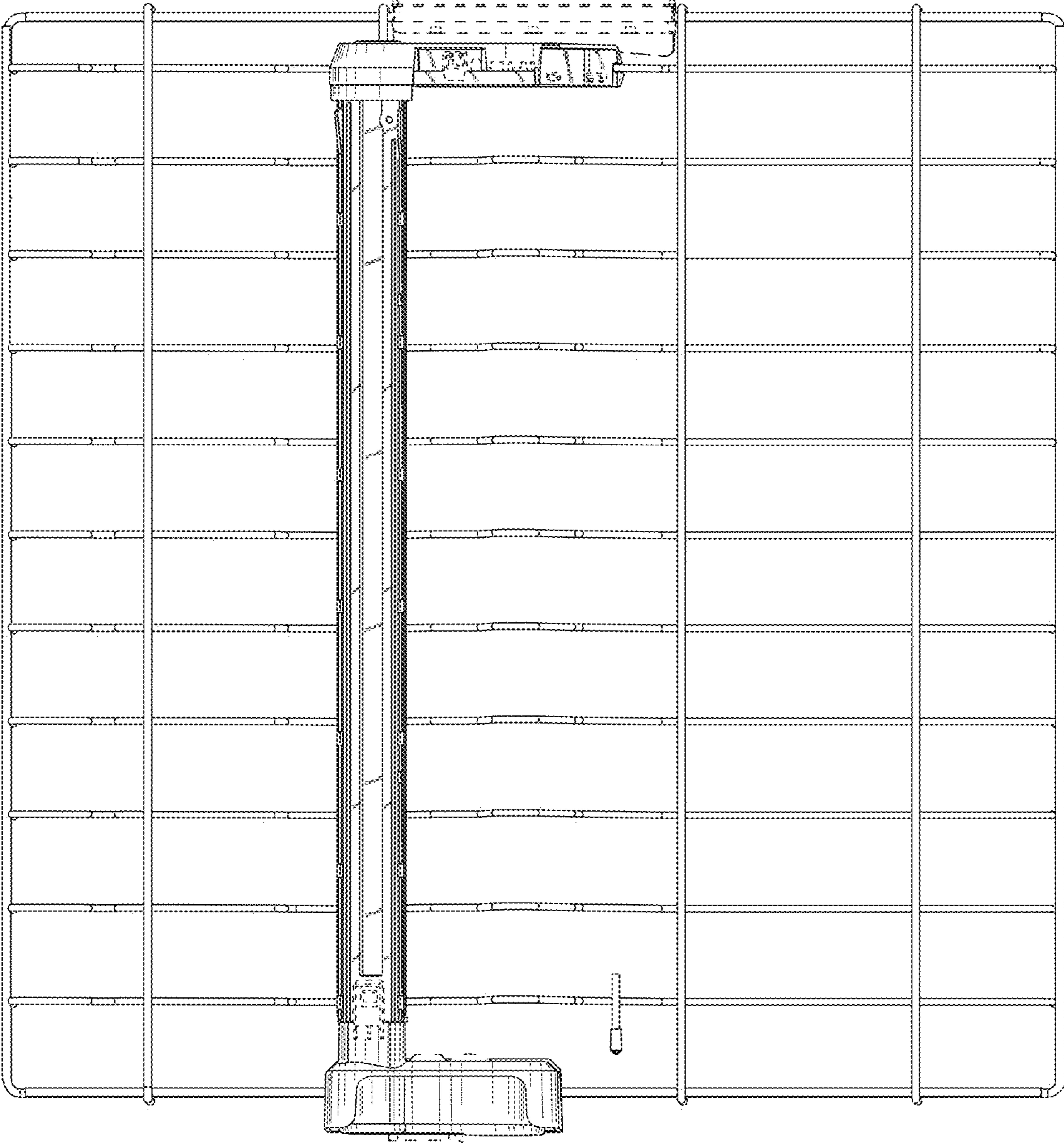


FIG. 8