



US00D973286S

(12) **United States Design Patent** (10) **Patent No.:** **US D973,286 S**
Yun (45) **Date of Patent:** **** Dec. 20, 2022**

(54) **PET RAMP**

amazon.com/Pet-Gear-Tri-Fold-Supports-Easy-Fold/dp/B003IWYPXK/
ref=sr_1_25 (Year: 2010).*

(71) Applicant: **Changzhou Canbo Travel Products Co., Ltd.**, Changzhou (CN)

(Continued)

(72) Inventor: **Huafeng Yun**, Changzhou (CN)

Primary Examiner — Katrina N Gonzalez

(**) Term: **15 Years**

(57) **CLAIM**

(21) Appl. No.: **29/782,792**

The ornamental design for a pet ramp, as shown and described.

(22) Filed: **May 10, 2021**

(51) **LOC (13) Cl.** **30-02**

(52) **U.S. Cl.**
USPC **D30/119**; D30/199

(58) **Field of Classification Search**
USPC D30/118, 119, 199; D34/30, 32;
D21/826; D25/62, 63, 64; D12/203
CPC A01K 45/005; B60P 1/43; B65G 69/30
See application file for complete search history.

DESCRIPTION

(56) **References Cited**

U.S. PATENT DOCUMENTS

D297,064 S *	8/1988	Ball	D34/32
D300,073 S *	2/1989	Crump	D34/32
D382,676 S *	8/1997	Holbrook	D30/119
D412,224 S *	7/1999	Adler	D30/119
D420,175 S *	2/2000	Garrels, Jr.	D30/119
D423,685 S *	4/2000	Ruiz	D25/64
6,119,634 A *	9/2000	Myrick	A01K 13/00
				119/847
D555,845 S *	11/2007	Khubani	D30/199
D599,062 S *	8/2009	Jakubowski	D30/199
D681,850 S	5/2013	Daly		

(Continued)

FOREIGN PATENT DOCUMENTS

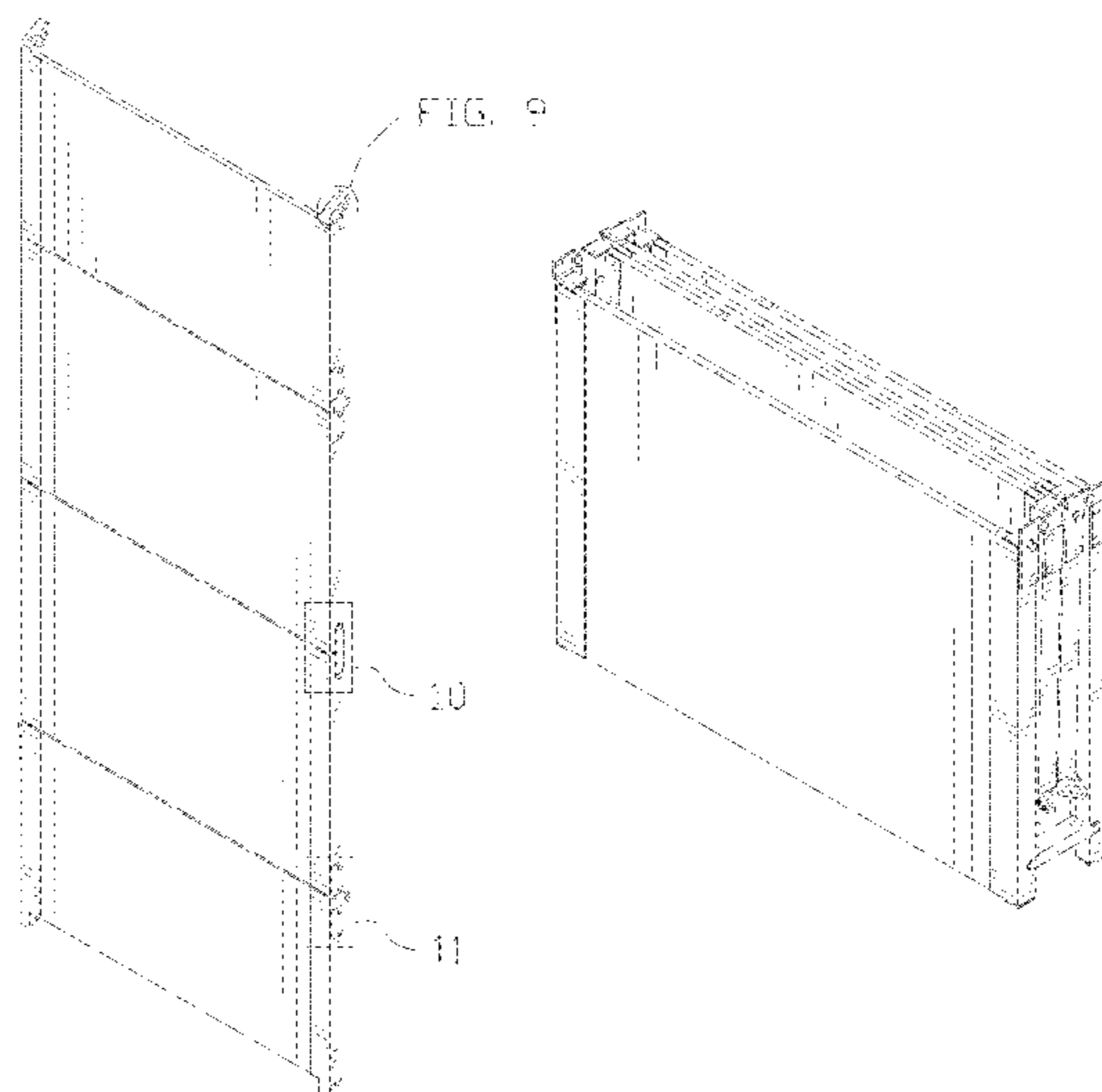
CN 306764696 * 8/2021

OTHER PUBLICATIONS

“Pet Gear Tri-Fold Ramp” available May 1, 2010, [online], [site visited Jul. 8, 2022]. Retrieved from Internet, URL:https://www.

FIG. 1 is a front and top perspective view of a pet ramp, showing my new design;
 FIG. 2 is a rear and bottom perspective view thereof;
 FIG. 3 is a front elevation view thereof;
 FIG. 4 is a rear elevation view thereof;
 FIG. 5 is a left side elevation view thereof;
 FIG. 6 is a right side elevation view thereof;
 FIG. 7 is a top plan view thereof;
 FIG. 8 is a bottom plan view thereof;
 FIG. 9 is an enlarged perspective view of detail 9, identified in FIG. 1;
 FIG. 10 is an enlarged perspective view of detail 10, identified in FIG. 1;
 FIG. 11 is an enlarged perspective view of detail 11, identified in FIG. 1;
 FIG. 12 is an enlarged perspective view of detail 12, identified in FIG. 2;
 FIG. 13 is an enlarged perspective view of detail 13, identified in FIG. 7;
 FIG. 14 is an enlarged perspective view of detail 14, identified in FIG. 8; and,
 FIG. 15 is another perspective view of FIG. 1, but shown in a folded position of use for clarity of illustration.
 The dash-dash broken lines illustrate portions of the pet ramp. The dash-dot broken lines shown in FIGS. 1, 2, and 7-14 represent the boundaries and indicators of the enlarged views. The broken lines form no part of the claimed design.

1 Claim, 15 Drawing Sheets



(56)

References Cited

U.S. PATENT DOCUMENTS

D729,462 S * 5/2015 Jakubowski D30/199
D734,570 S * 7/2015 Hawk D30/199
D756,573 S * 5/2016 Jakubowski D30/199
D846,813 S * 4/2019 MacNeil D30/119
D903,212 S * 11/2020 Qiu D30/119
2014/0123910 A1* 5/2014 Rorke A01K 1/035
119/849

OTHER PUBLICATIONS

“ROBLOCK Dog Car Ramp” available Jan. 19, 2021, [online], [site visited Jul. 8, 2022]. Retrieved from Internet, URL:https://www.amazon.com/ROBLOCK-Lightweight-Portable-Aluminum-Non-Skid/dp/B08TBC7BK4/ref=asc_df_B08TBC7BK4/ (Year: 2021).*

“Frisco Tri-Fold Travel Dog Car Ramp” available May 7, 2021, [online], [site visited Jul. 8, 2022]. Retrieved from Internet, URL:<https://www.chewy.com/frisco-tri-fold-travel-dog-car-ramp/dp/263223> (Year: 2021).*

* cited by examiner

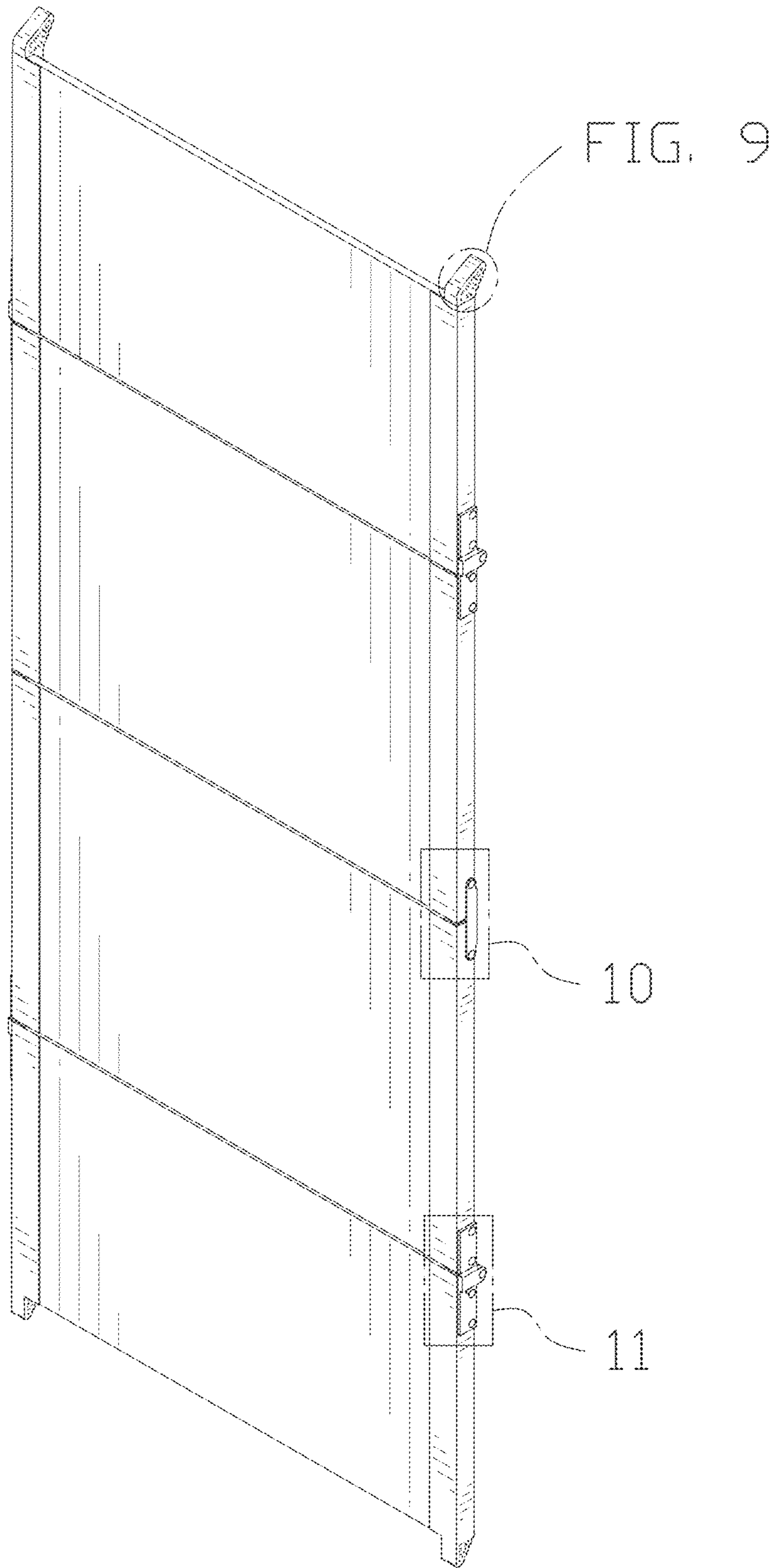


FIG. 1

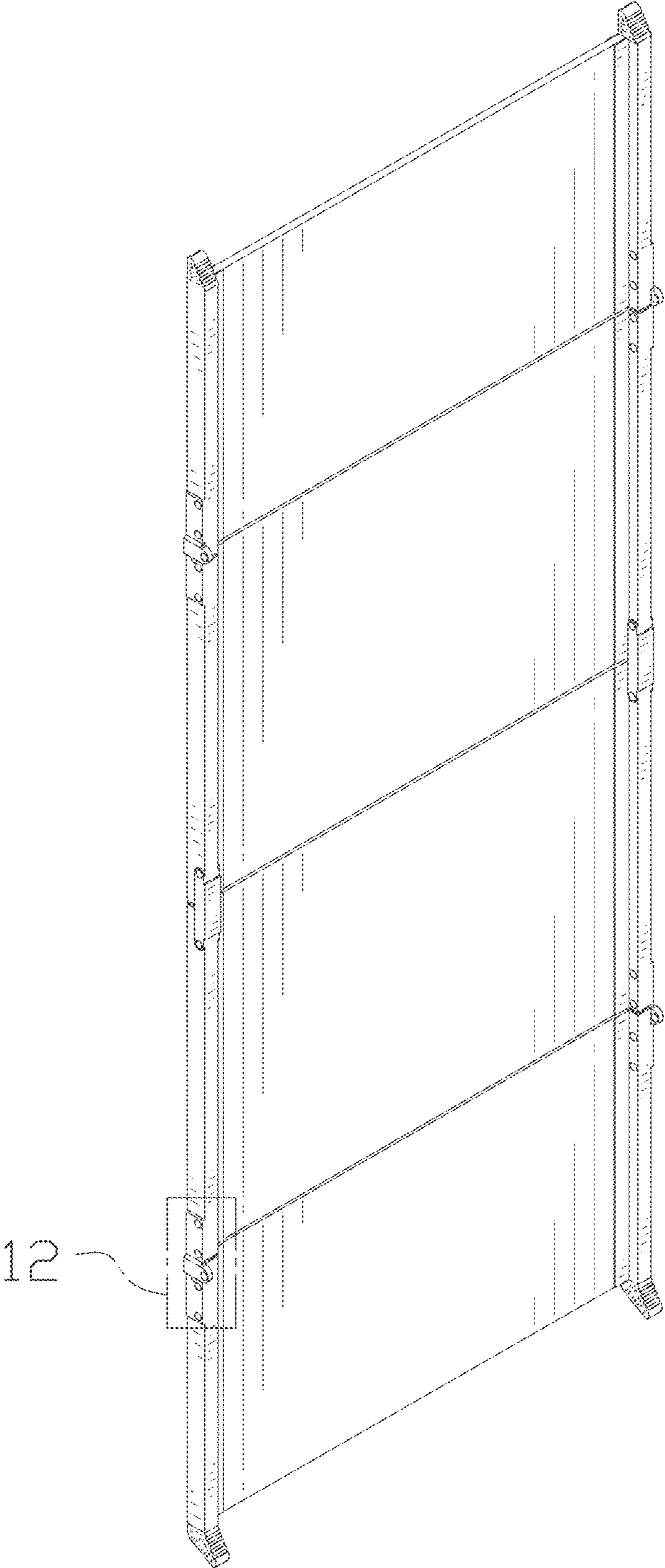


FIG. 2

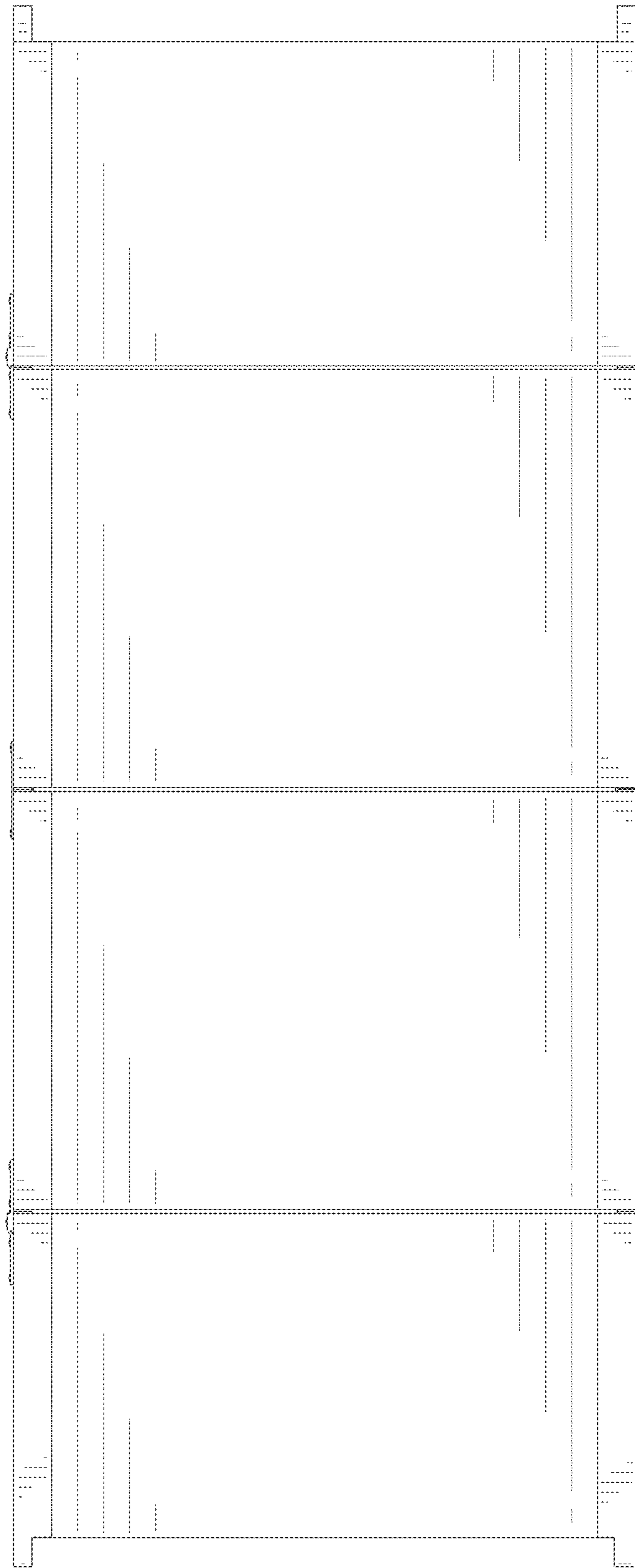


FIG. 3

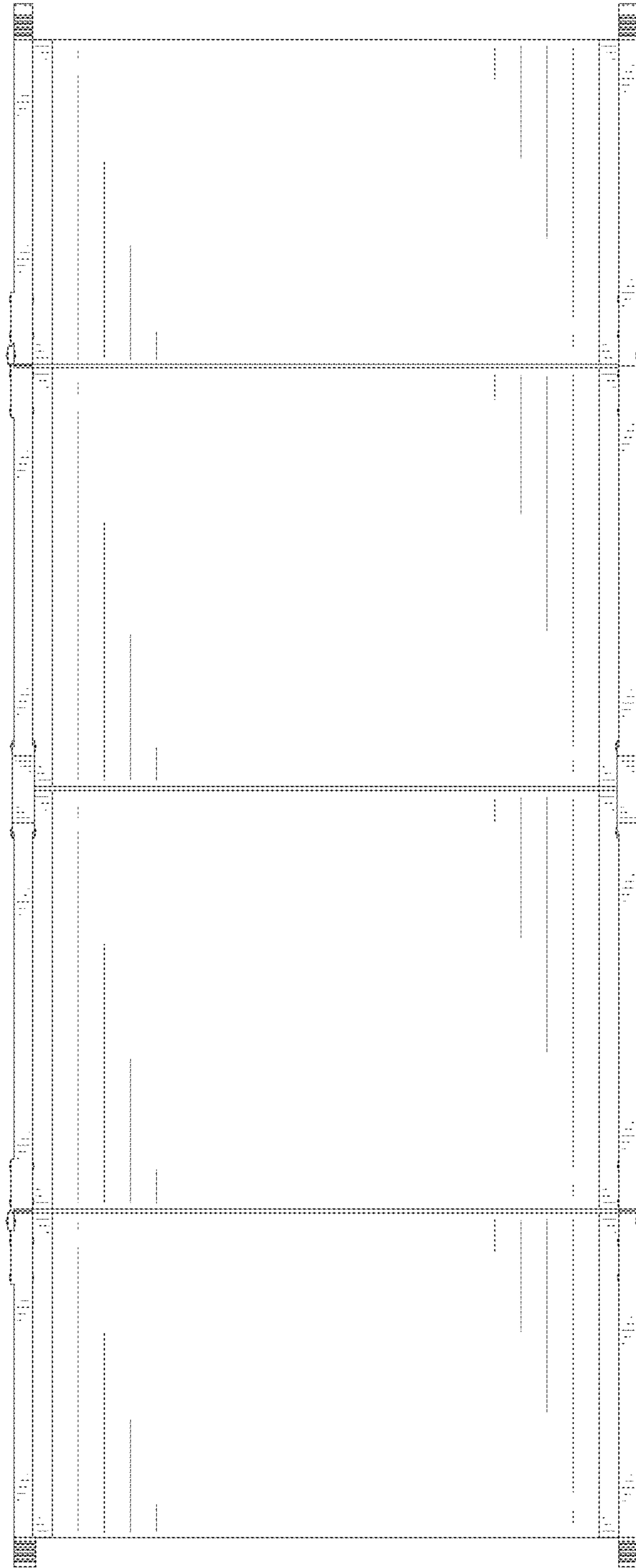


FIG. 4

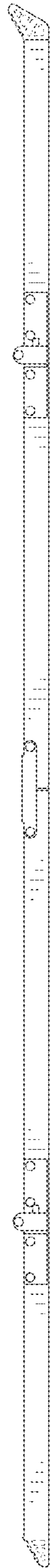


FIG. 5



FIG. 6

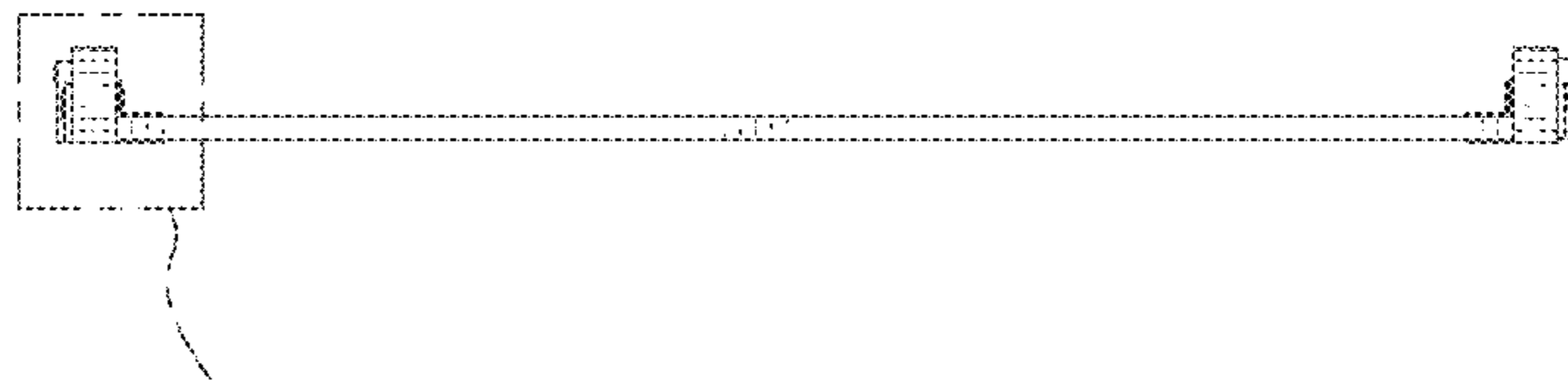


FIG. 13

FIG. 7

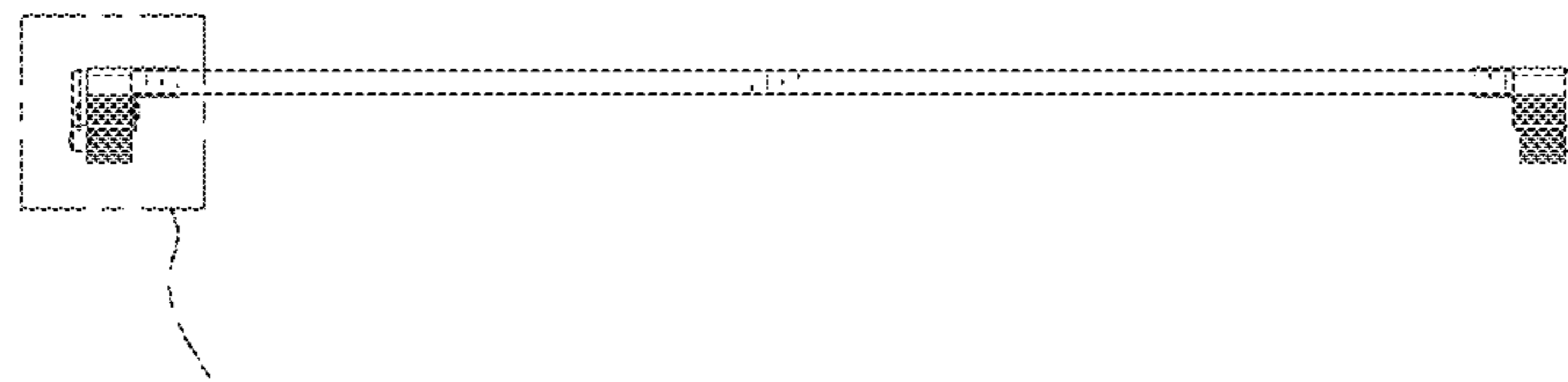


FIG. 14

FIG. 8

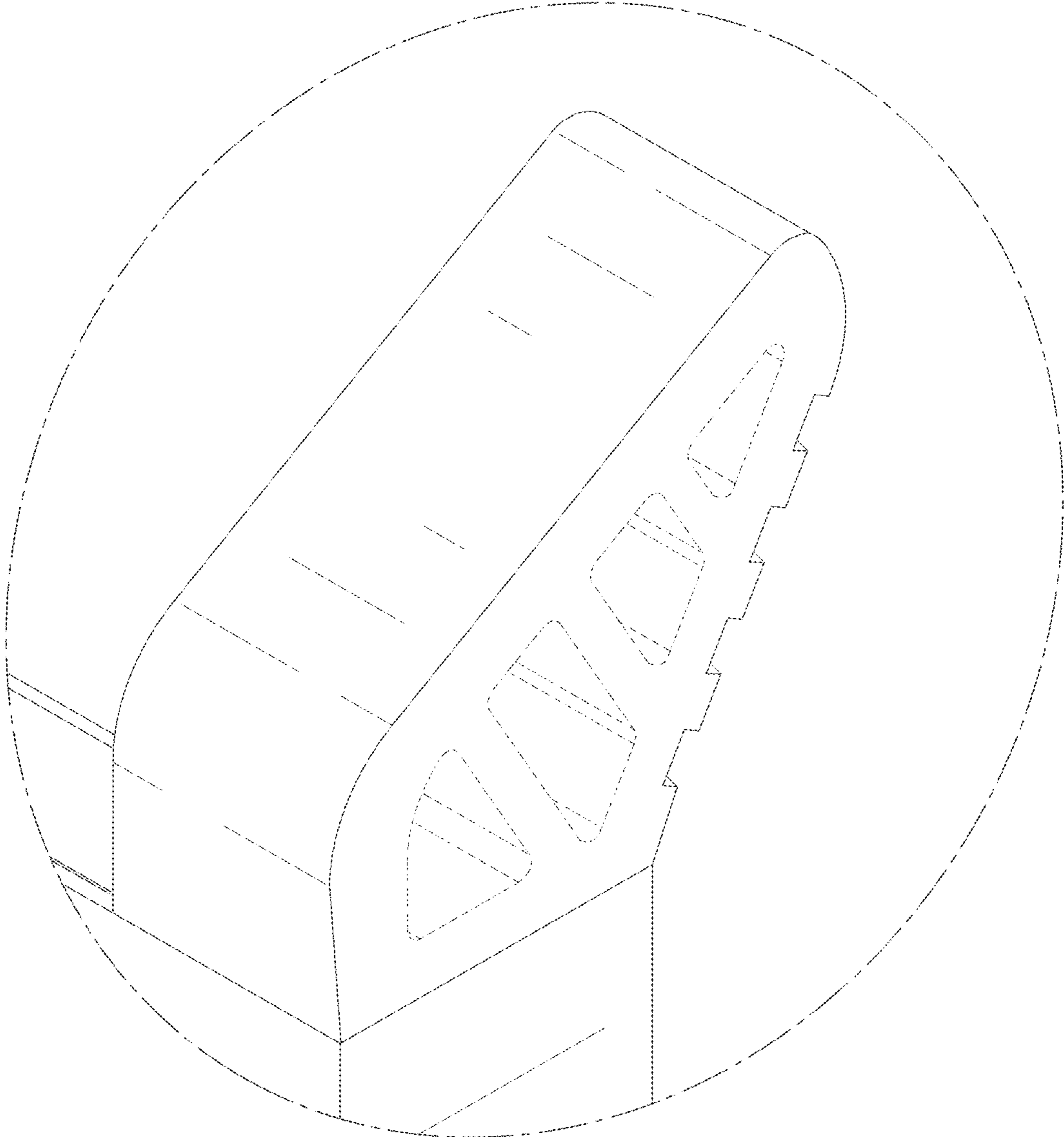


FIG. 9

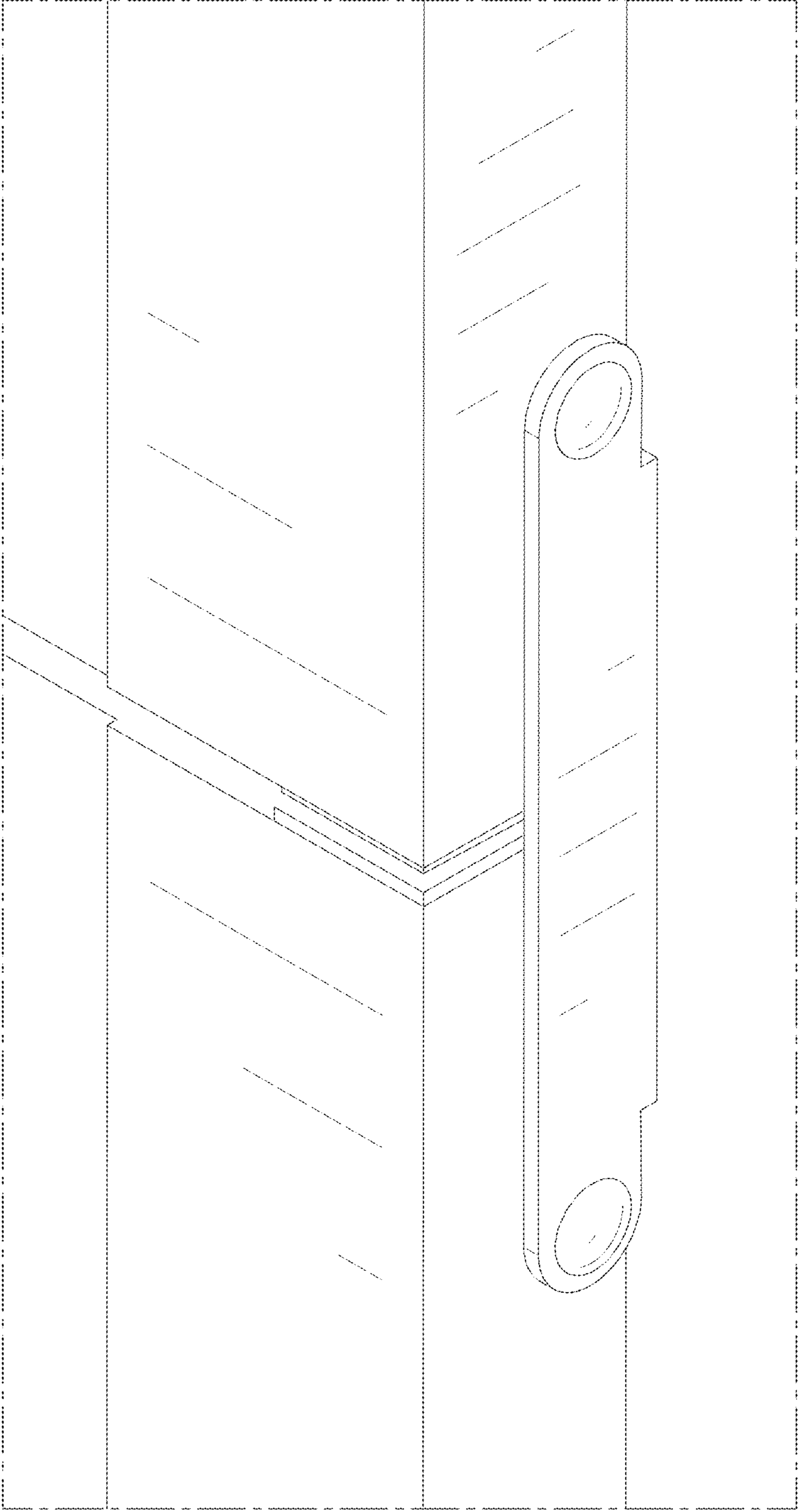


FIG. 10

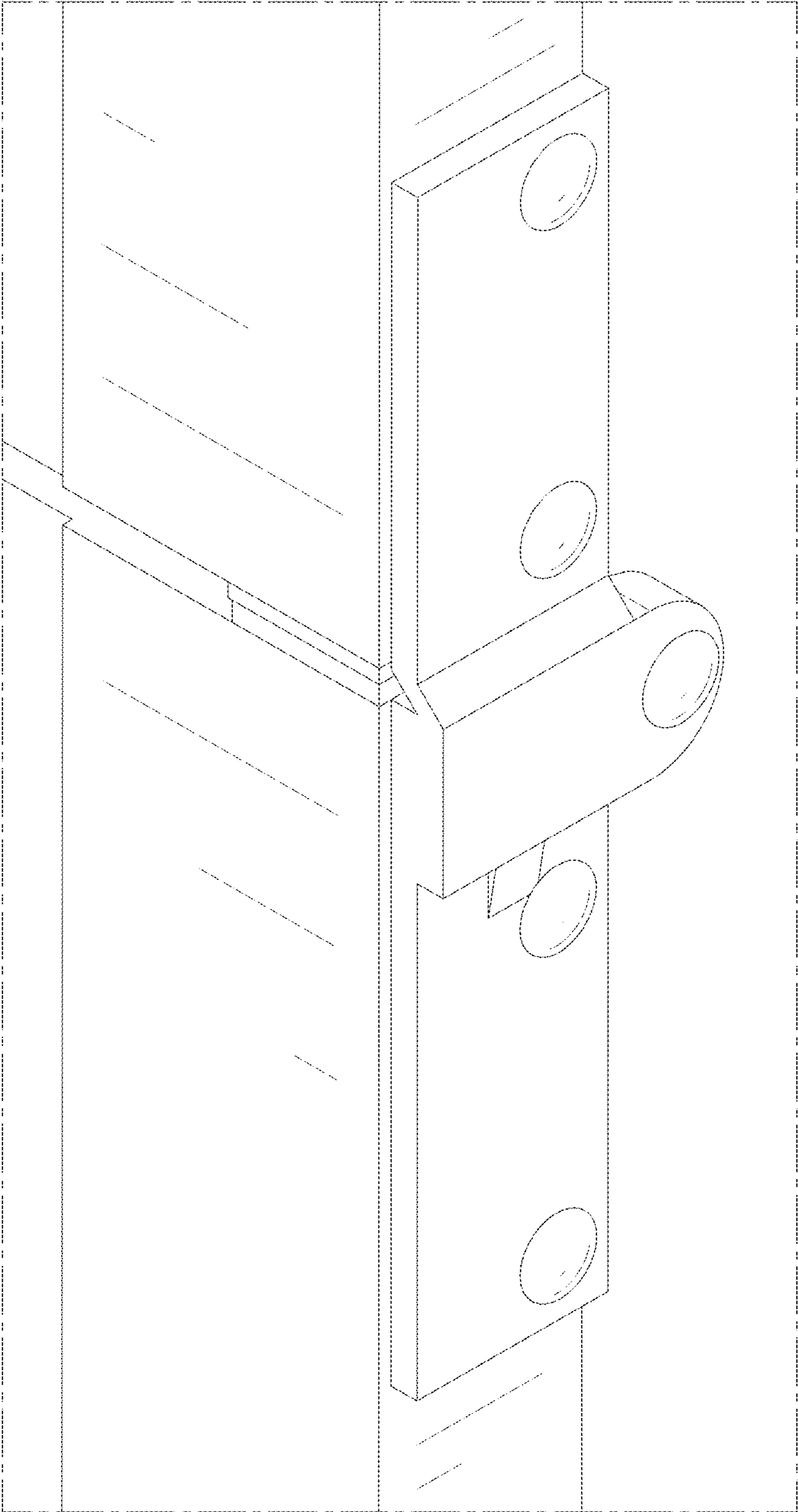


FIG. 11

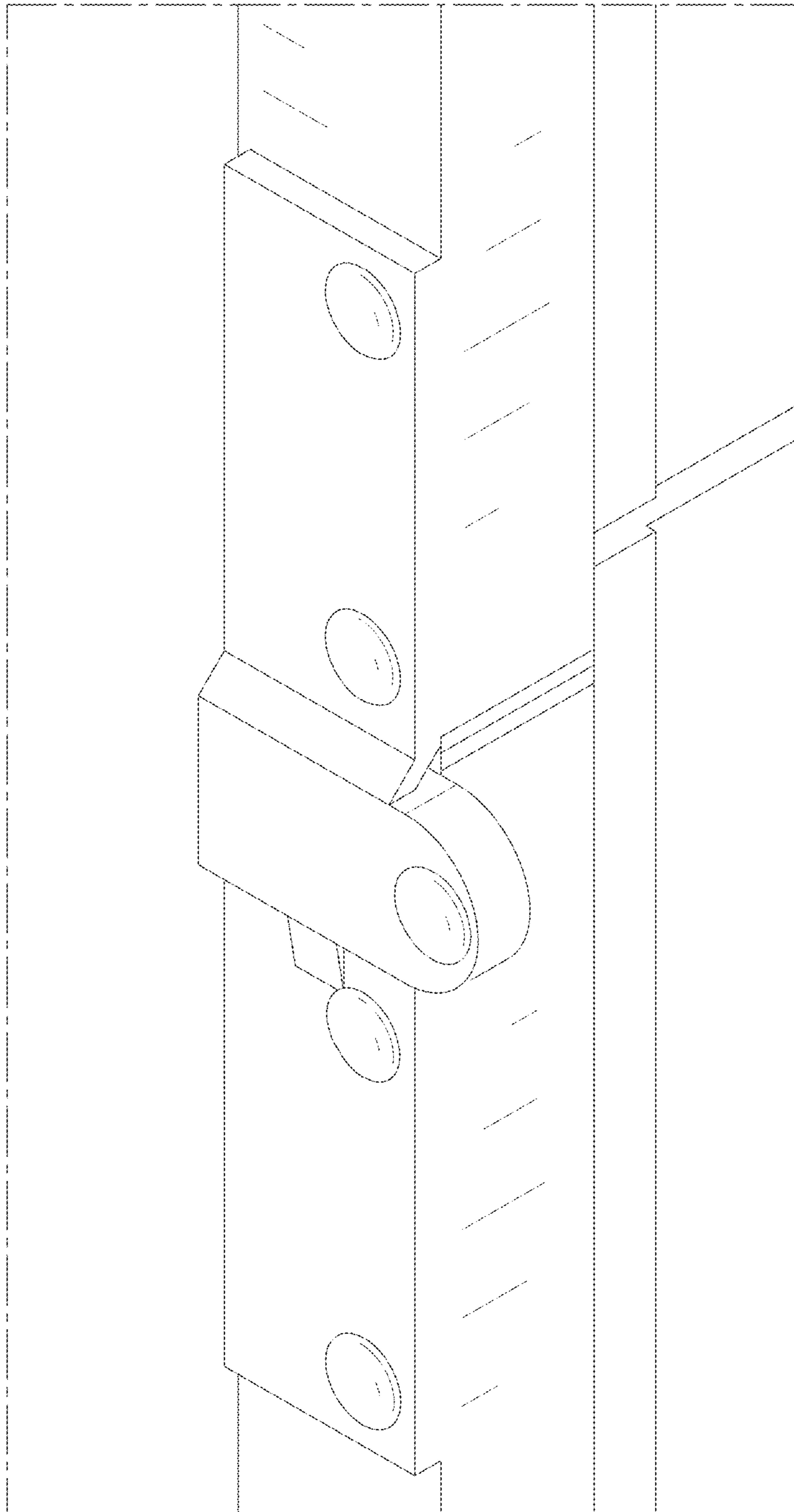


FIG. 12

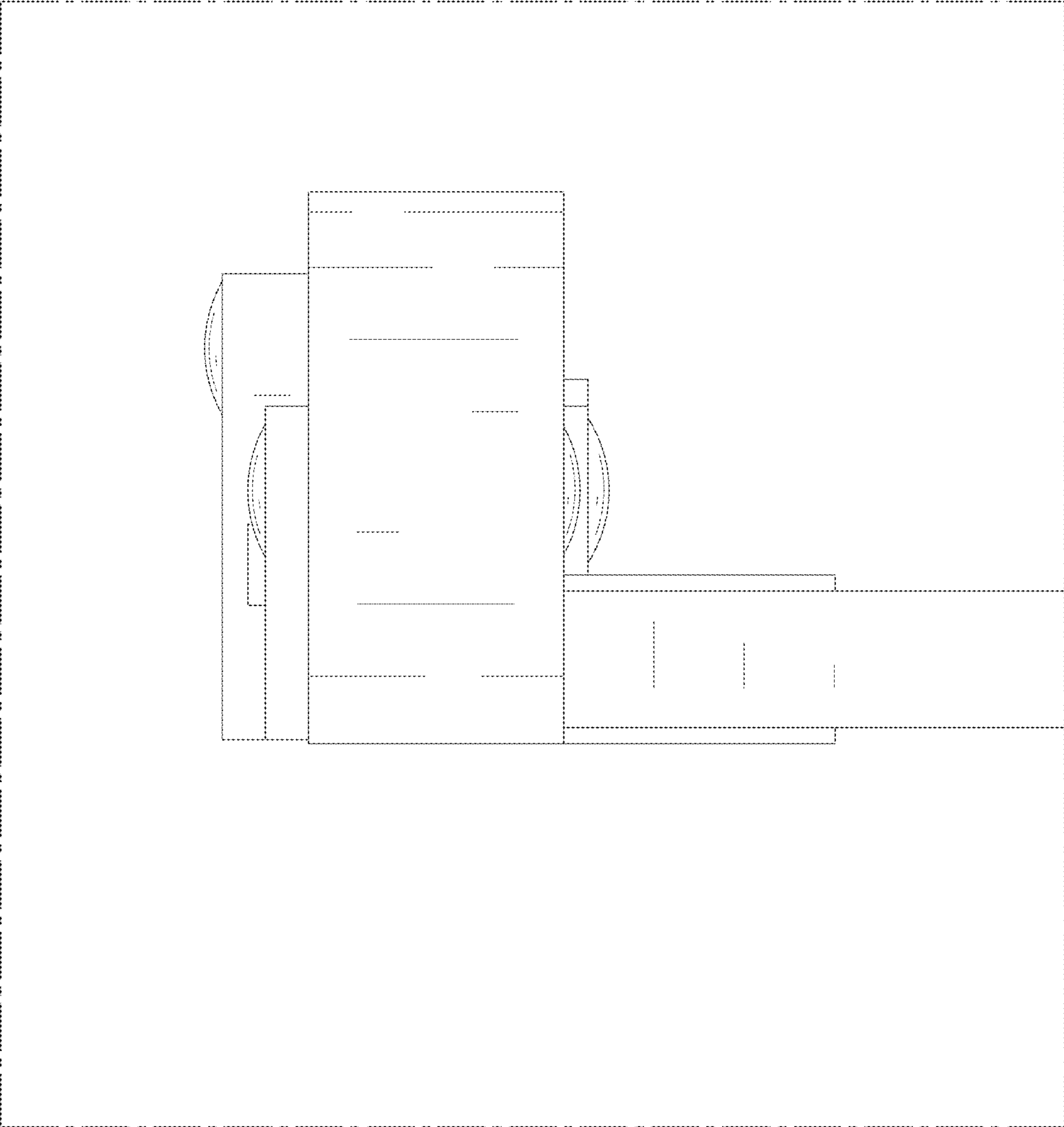


FIG. 13

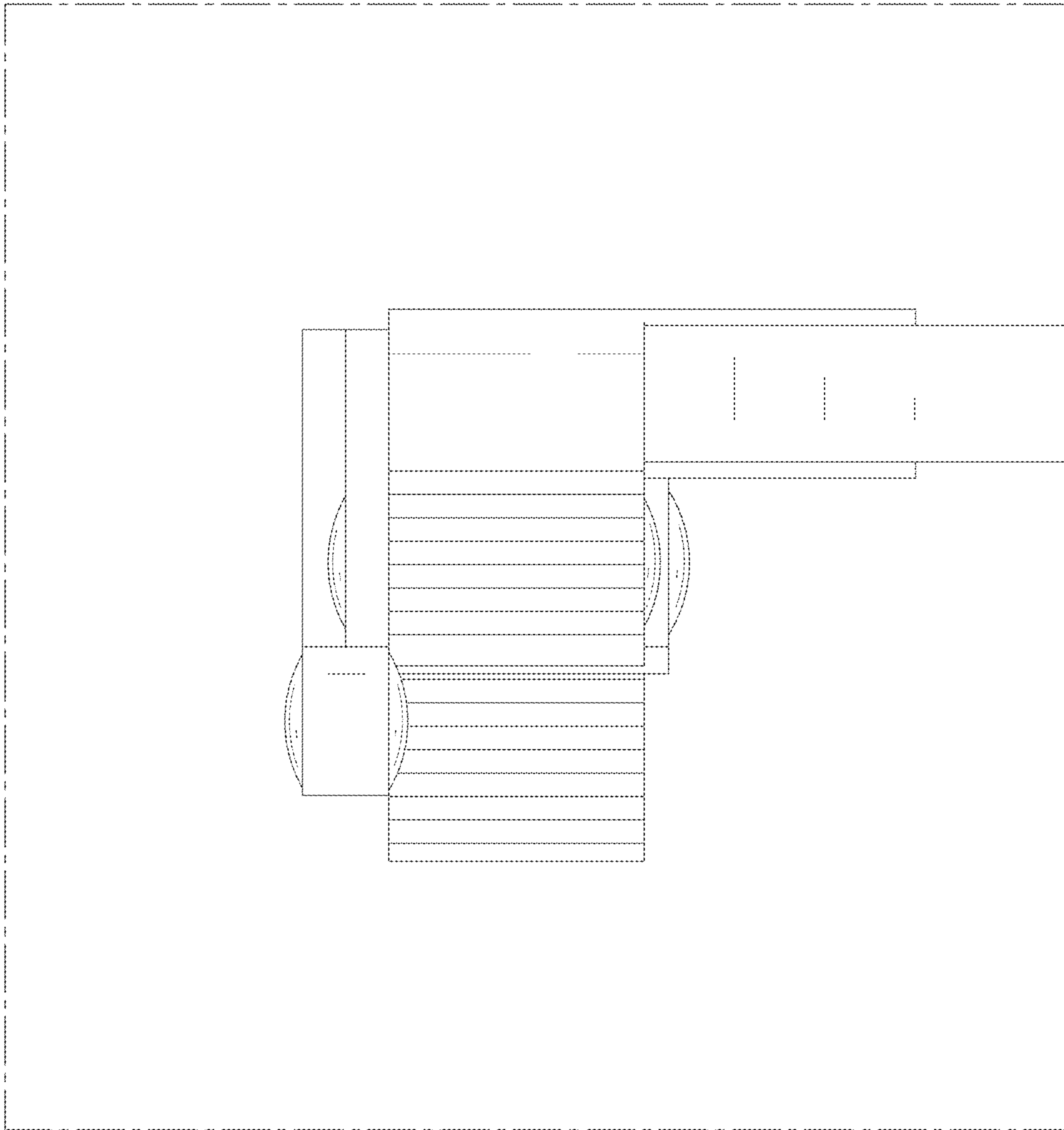


FIG. 14

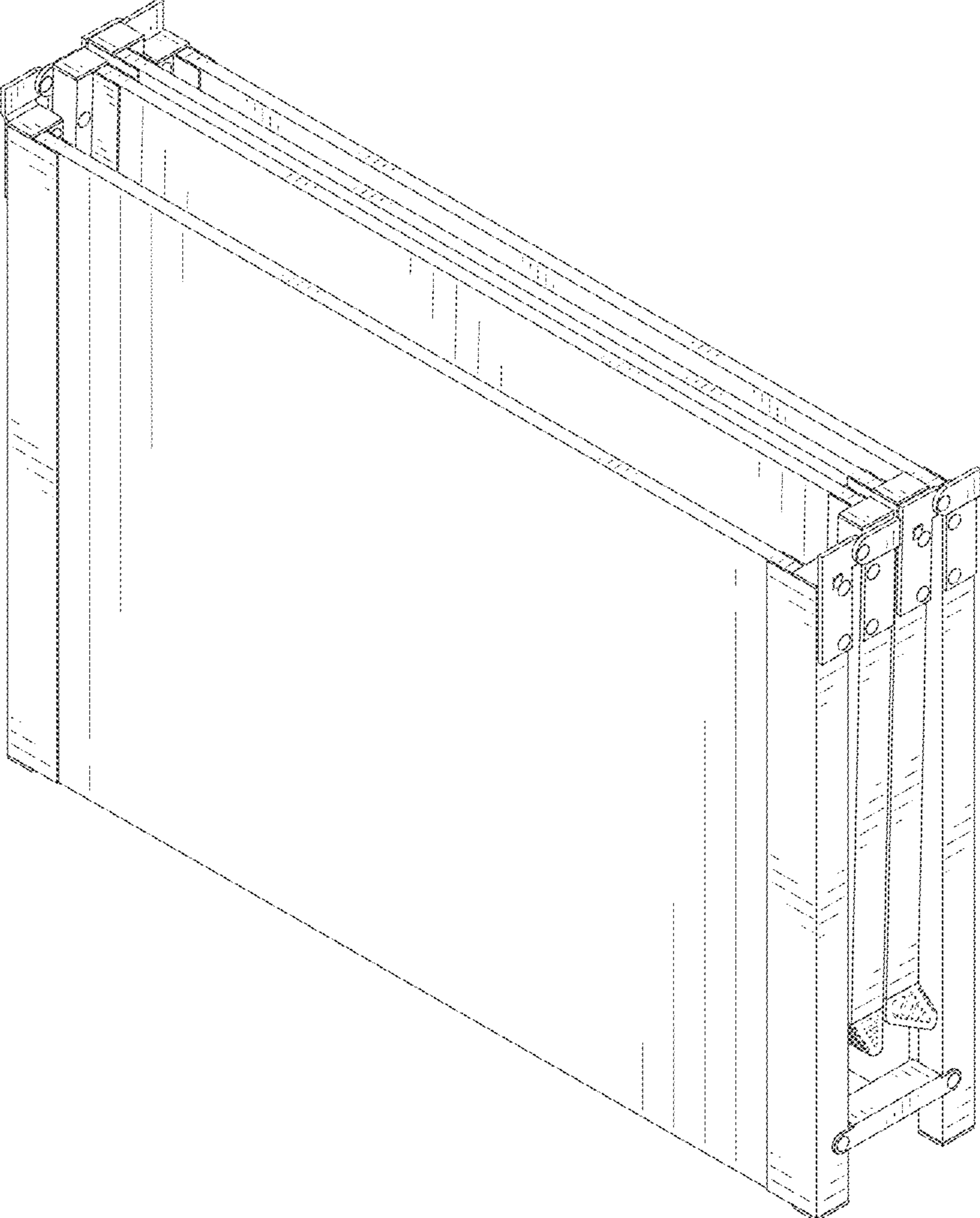


FIG. 15