



US00D973284S

(12) **United States Design Patent** (10) **Patent No.:** **US D973,284 S**
Cao (45) **Date of Patent:** **** Dec. 20, 2022**

(54) **AUTOMATIC AQUARIUM WATER CHANGER**

(71) Applicant: **Shenzhen Mago Trading Co., Ltd,**
Shenzhen (CN)

(72) Inventor: **Mingbo Cao,** Shenzhen (CN)

(73) Assignee: **Shenzhen Mago Trading Co., Ltd,**
Shenzhen (CN)

(**) Term: **15 Years**

(21) Appl. No.: **29/811,072**

(22) Filed: **Oct. 11, 2021**

(51) **LOC (13) Cl.** **30-02**

(52) **U.S. Cl.**
USPC **D30/106**

(58) **Field of Classification Search**
USPC D30/101-107; D23/209-210, 316
CPC A01K 63/10; A01K 63/045
See application file for complete search history.

(56) **References Cited**

U.S. PATENT DOCUMENTS

- D214,918 S * 8/1969 Willinger D30/106
- 3,826,371 A * 7/1974 Adamson A01K 63/045
210/167.26
- D282,016 S * 12/1985 Chestnut D30/106

- D304,506 S * 11/1989 Tominaga D30/106
- D640,424 S * 6/2011 Yen D30/106
- D716,507 S 10/2014 Mayer
- D813,478 S 3/2018 Erlich et al.
- D919,192 S 5/2021 Li
- 2007/0051320 A1* 3/2007 Yen A01K 63/045
119/264
- 2008/0313827 A1* 12/2008 Paxton A01K 63/10
15/1.7

* cited by examiner

Primary Examiner — Wan Laymon

(74) *Attorney, Agent, or Firm* — ScienBiziP, P.C.

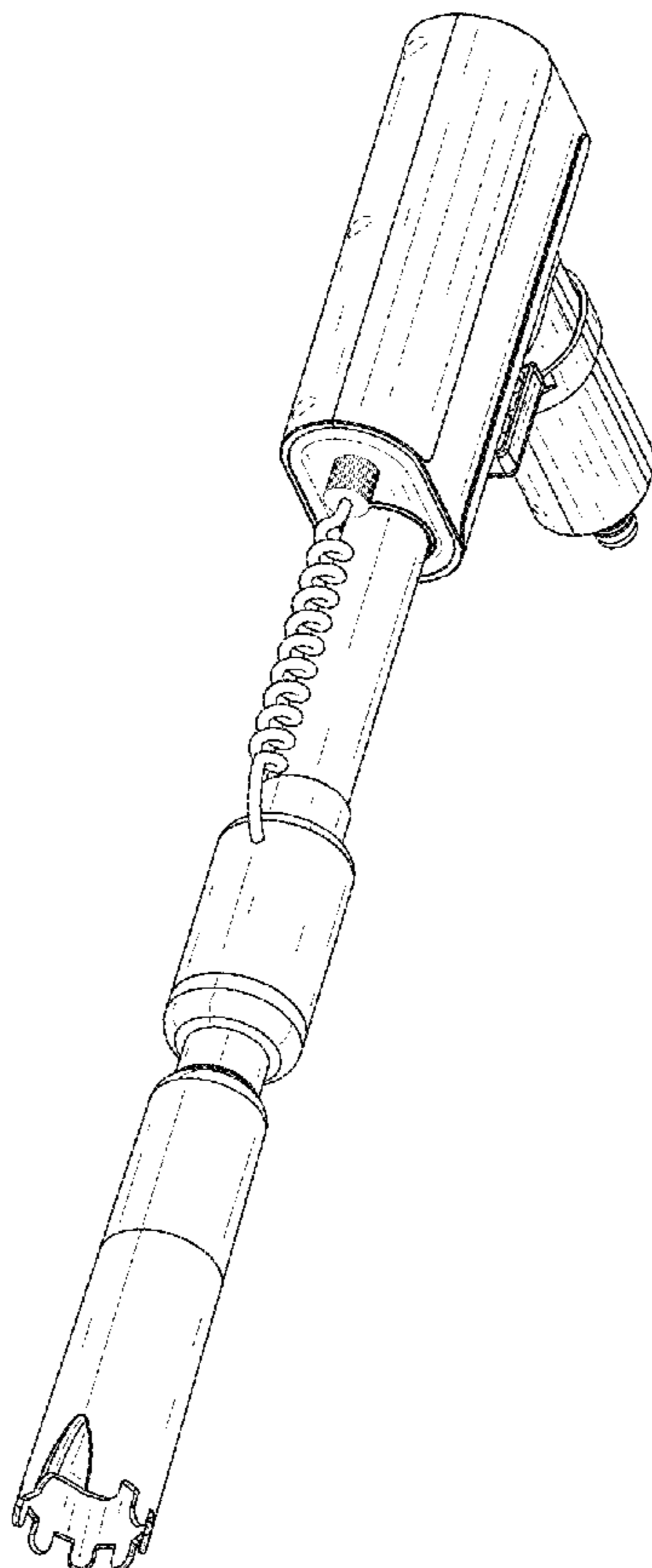
(57) **CLAIM**

The ornamental design for an automatic aquarium water changer, as shown and described.

DESCRIPTION

FIG. 1 is a front, right and bottom perspective view of an automatic aquarium water changer showing my design.
 FIG. 2 is a front elevation view thereof.
 FIG. 3 is a rear elevation view thereof.
 FIG. 4 is a left-side elevation view thereof.
 FIG. 5 is a right-side elevation view thereof.
 FIG. 6 is a top plan view thereof; and,
 FIG. 7 is a bottom plan view thereof.
 The broken lines are included for the purposes of illustrating portions of the automatic aquarium water changer that form no part of the claimed design.

1 Claim, 7 Drawing Sheets



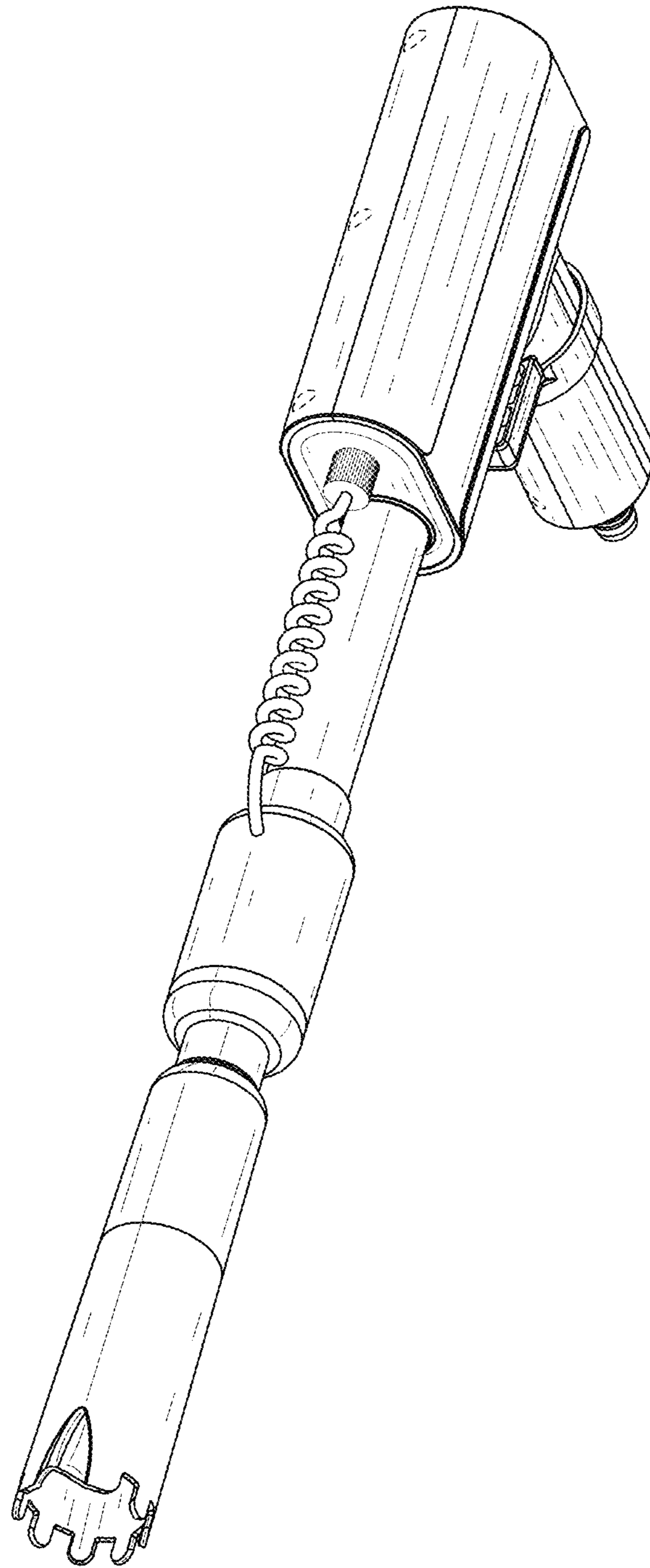


FIG. 1

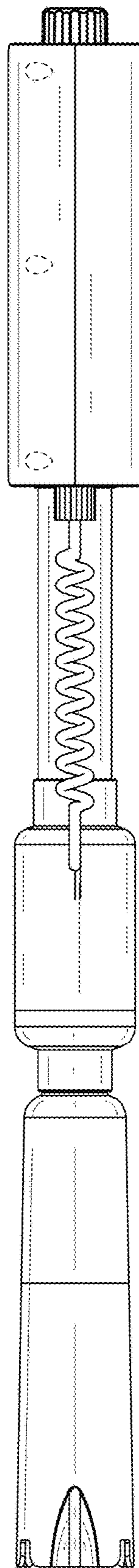


FIG. 2

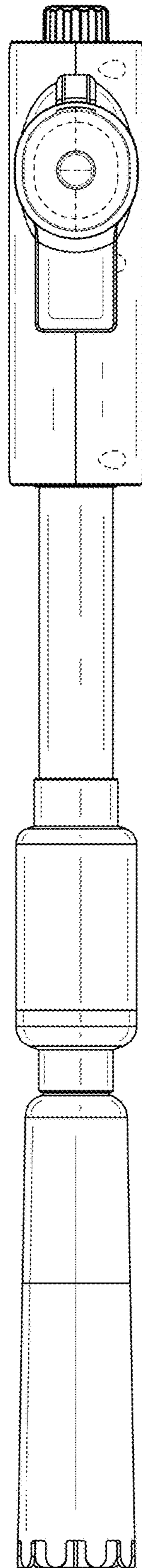


FIG. 3

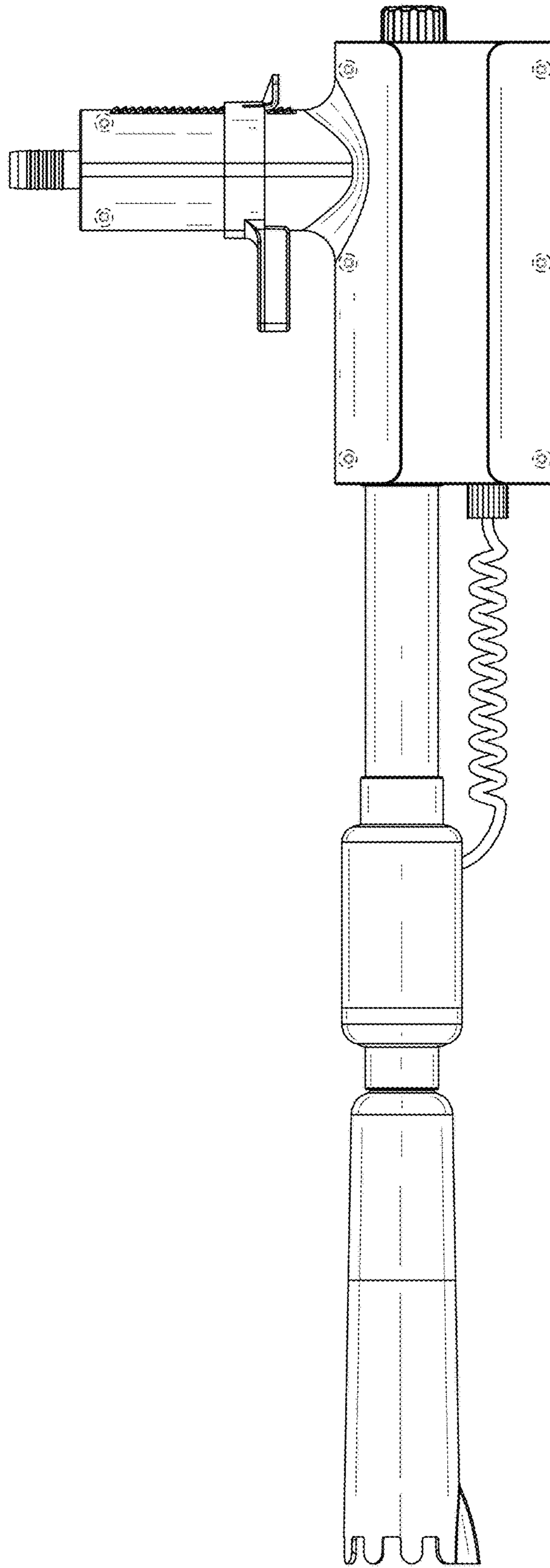


FIG. 4

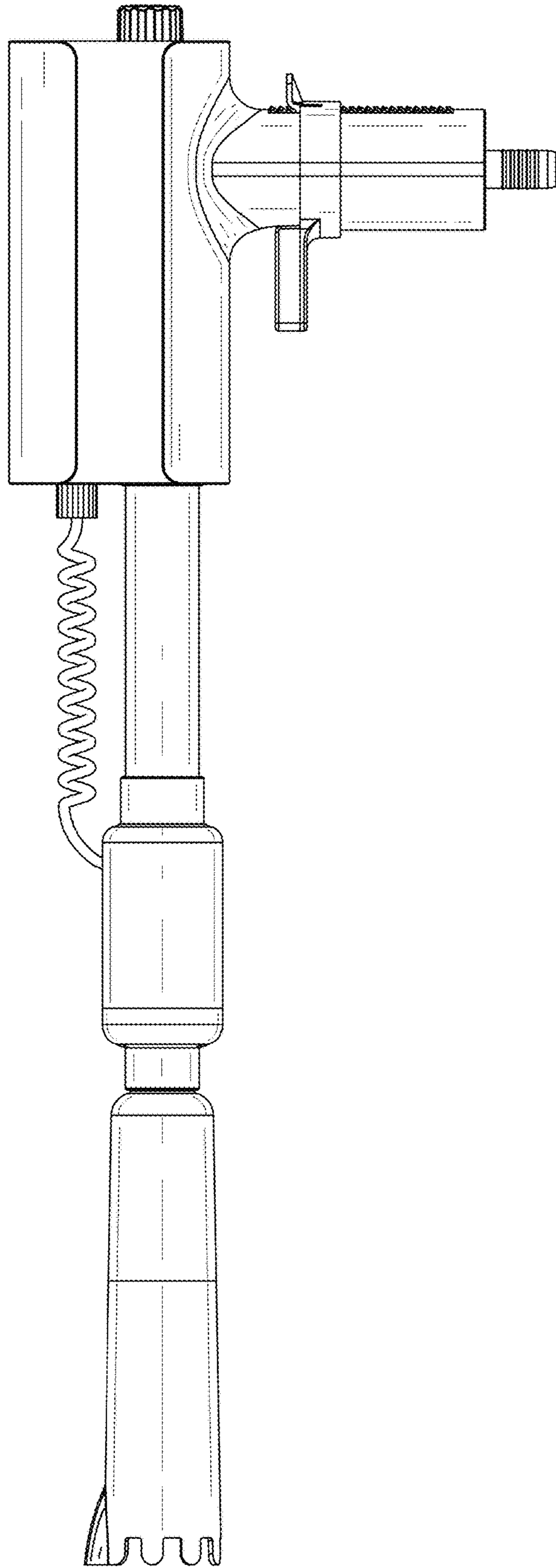


FIG. 5

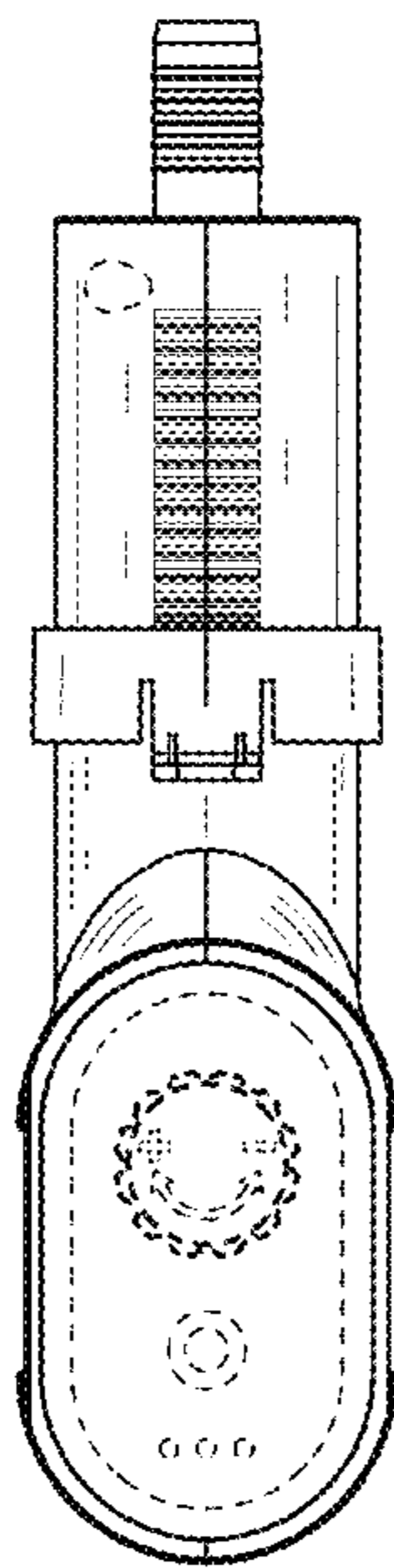


FIG. 6

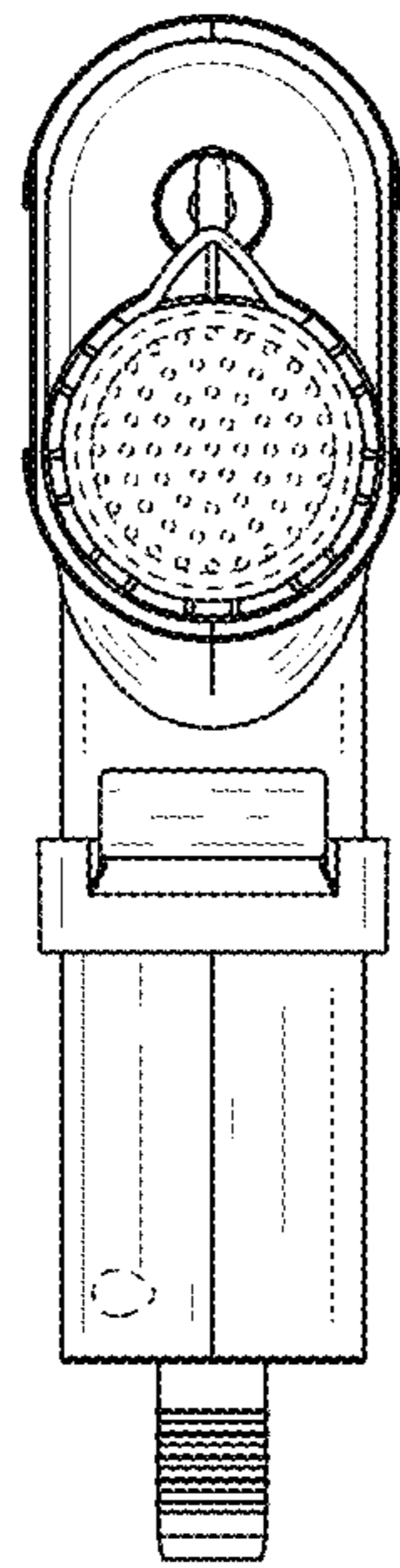


FIG. 7