



US00D973283S

(12) **United States Design Patent**
Zeng

(10) **Patent No.:** **US D973,283 S**

(45) **Date of Patent:** **** Dec. 20, 2022**

- (54) **CANDLE SNUFFER**
- (71) Applicant: **Shenzhen Nanke Trading Co., Ltd.,**
Guangdong (CN)
- (72) Inventor: **Guangbiao Zeng,** Guangdong (CN)
- (73) Assignee: **Shenzhen Nanke Trading Co., Ltd.,**
Guangdong (CN)
- (**) Term: **15 Years**
- (21) Appl. No.: **29/815,787**
- (22) Filed: **Nov. 16, 2021**
- (51) **LOC (13) Cl.** **26-99**
- (52) **U.S. Cl.**
USPC **D29/127**
- (58) **Field of Classification Search**
USPC D29/127
CPC F23Q 25/00; F21V 35/00
See application file for complete search history.

- 5,944,505 A * 8/1999 Kroeher F23Q 25/00
431/35
- D454,232 S * 3/2002 LaVanier F23Q 25/00
D29/127
- D454,233 S * 3/2002 Cousins F23Q 25/00
D29/127
- D496,500 S 9/2004 Monique
- D502,574 S 3/2005 McMinn
- D581,582 S * 11/2008 Monk F23Q 25/00
D26/127

* cited by examiner

Primary Examiner — Philip S Hyder
(74) *Attorney, Agent, or Firm* — ScienBiziP, P.C.

(57) **CLAIM**

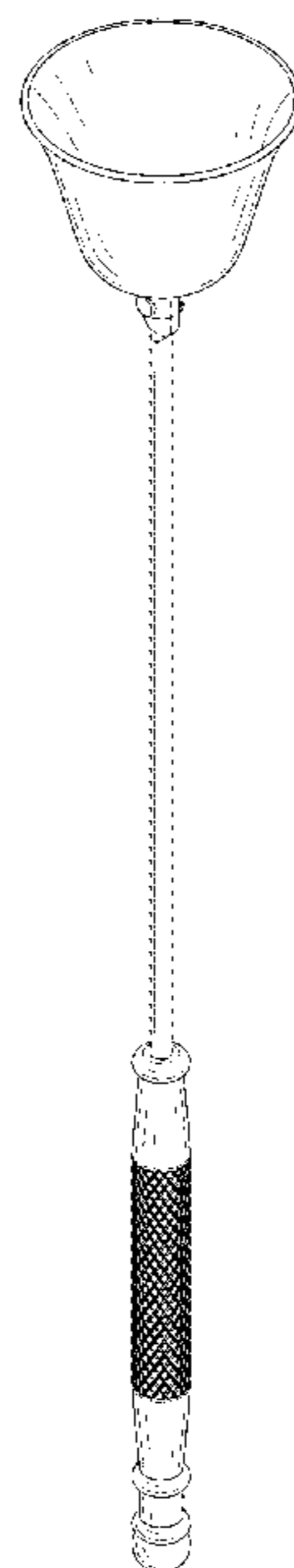
The ornamental design for a candle snuffer, as shown and described.

DESCRIPTION

FIG. 1 is a front, right, and top perspective view of a candle snuffer, showing my design.
 FIG. 2 is a rear, left, and bottom perspective view thereof.
 FIG. 3 is a front and top perspective view thereof.
 FIG. 4 is a front elevation view thereof.
 FIG. 5 is a rear elevation view thereof.
 FIG. 6 is a left side elevation view thereof.
 FIG. 7 is a right side elevation view thereof.
 FIG. 8 is a top plan view thereof.
 FIG. 9 is a bottom plan view thereof.
 FIG. 10 is a partial enlarged view of an area labeled 10 in FIG. 2 comprising a nut; and,
 FIG. 11 is a partial enlarged view of an area labeled 11 in FIG. 2 comprising a handle.
 The broken lines shown in the drawings are included for the purpose of illustrating portions of the candle snuffer that form no part of the claimed design.

1 Claim, 11 Drawing Sheets

- (56) **References Cited**
U.S. PATENT DOCUMENTS
- 1,936,691 A * 11/1933 Soss F23Q 25/00
431/144
- D157,245 S * 2/1950 Egle F23Q 25/00
D29/127
- 2,785,556 A * 3/1957 Smith F23Q 25/00
431/290
- D241,465 S * 9/1976 Petersson D26/10
- 3,985,492 A * 10/1976 Nunemaker F23Q 1/06
431/144
- D330,784 S * 11/1992 Zuffoletti D29/127
- D335,830 S * 5/1993 Ross D10/118
- D343,240 S * 1/1994 Kane F23Q 1/06
D29/127
- D343,913 S * 2/1994 Kane F23Q 1/06
D29/127



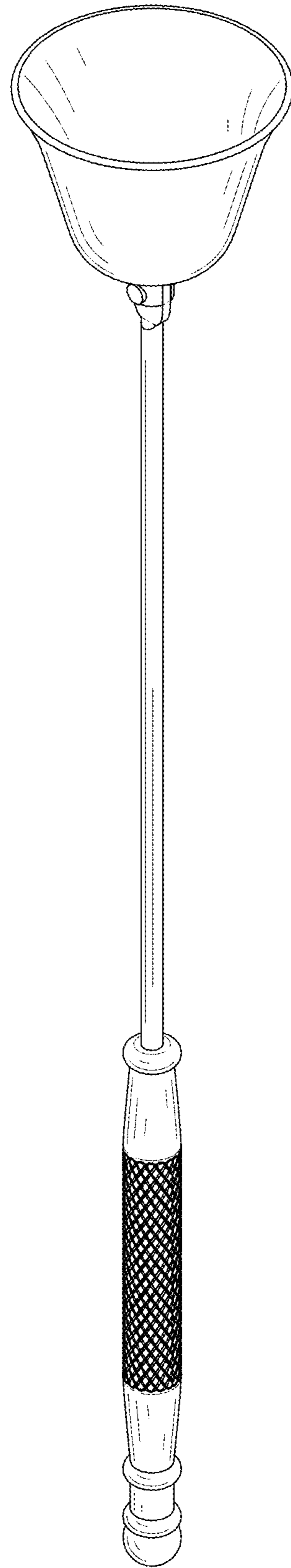


FIG. 1

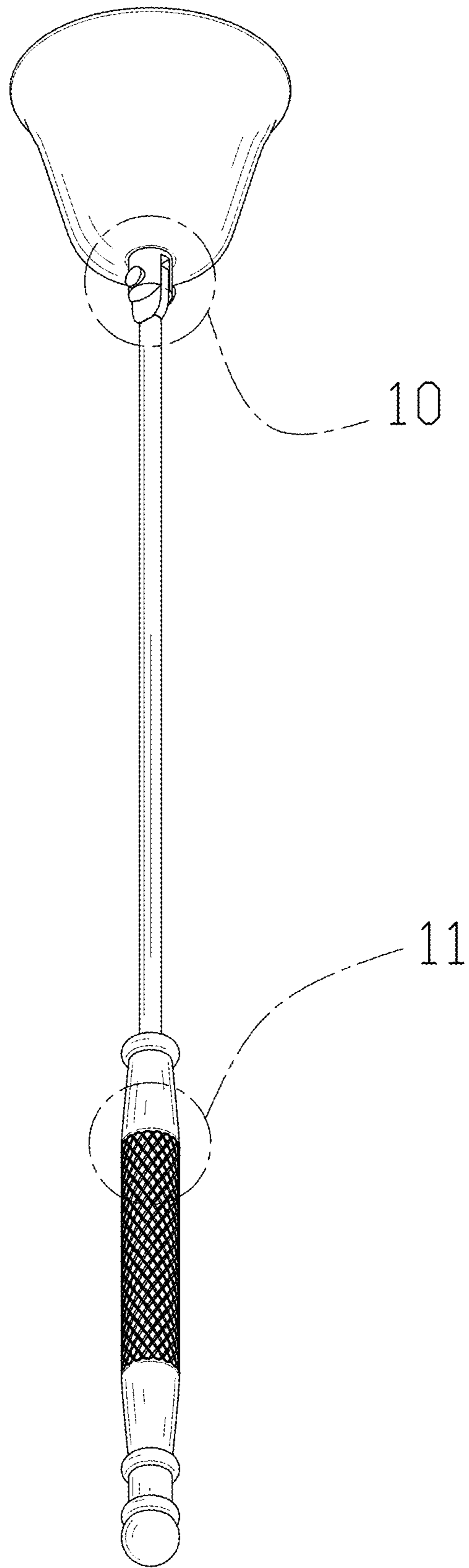


FIG. 2

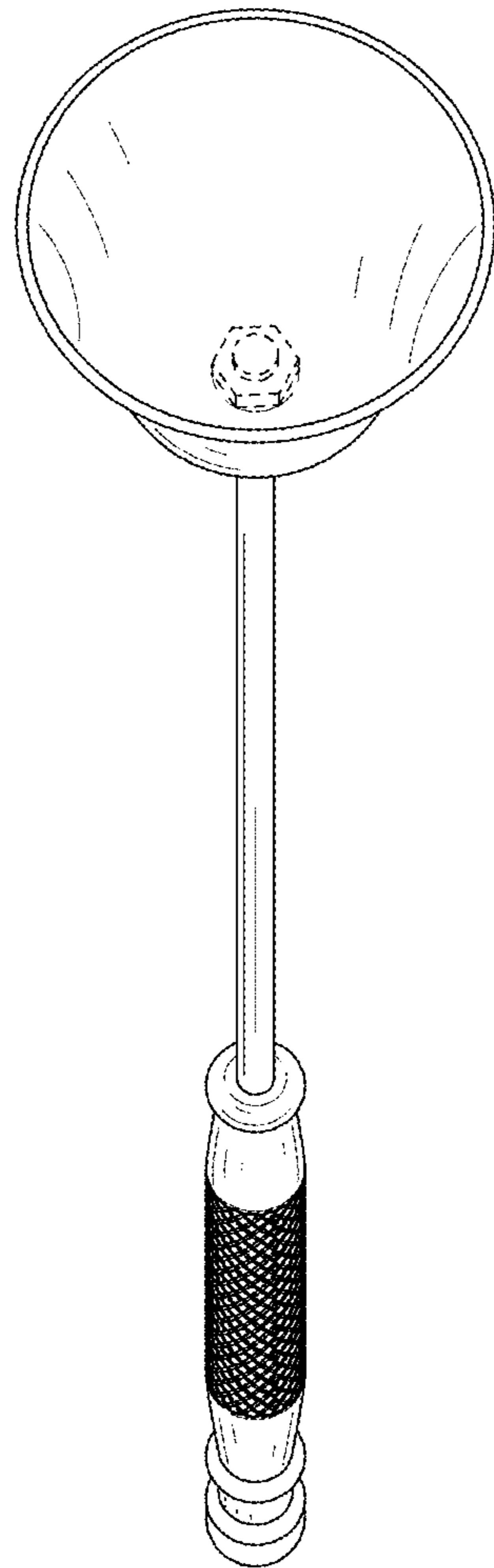


FIG. 3

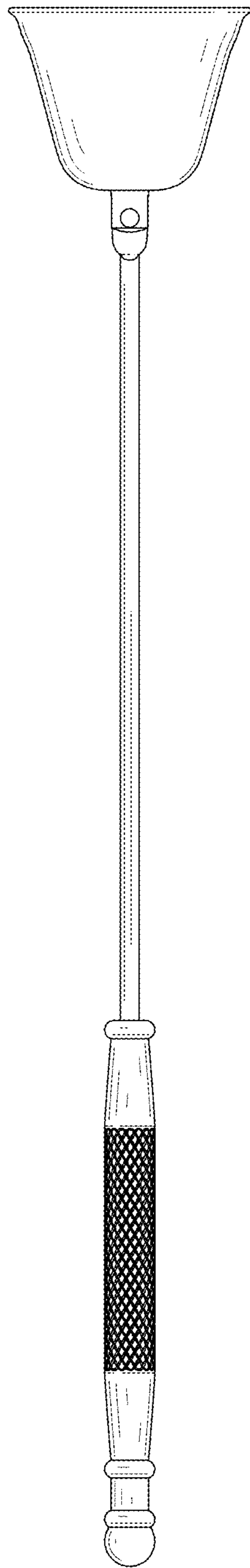


FIG. 4

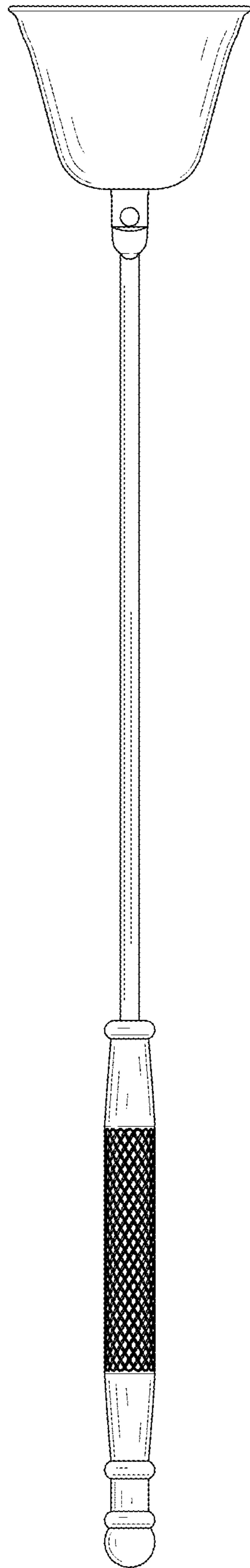


FIG. 5

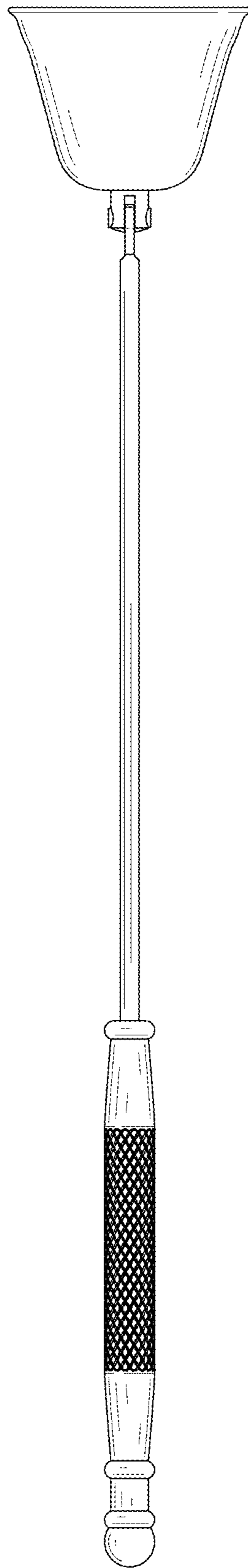


FIG. 6

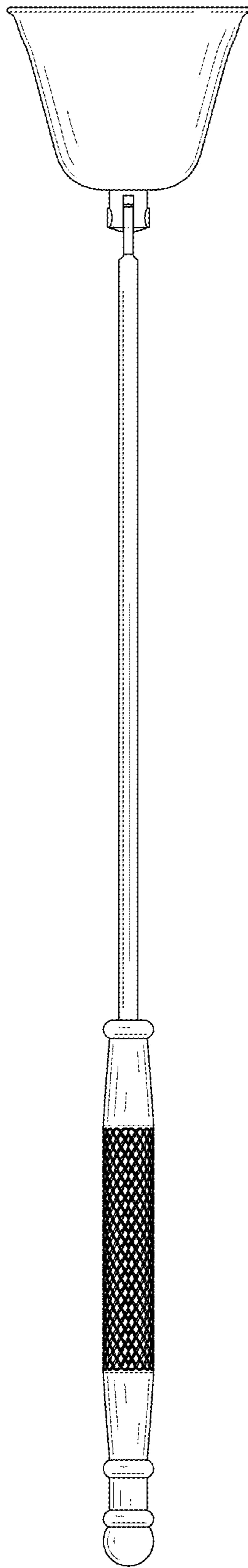


FIG. 7

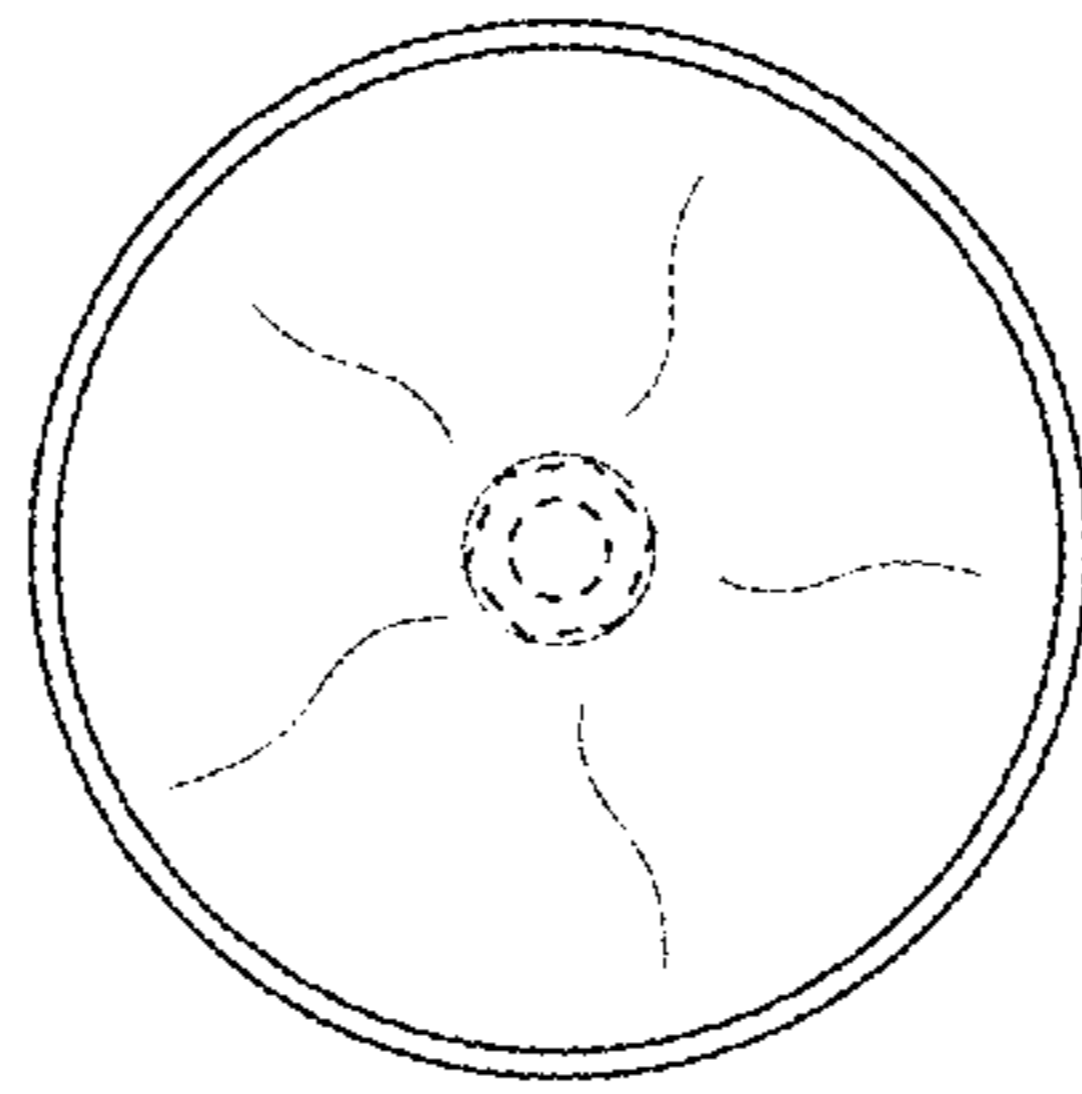


FIG. 8

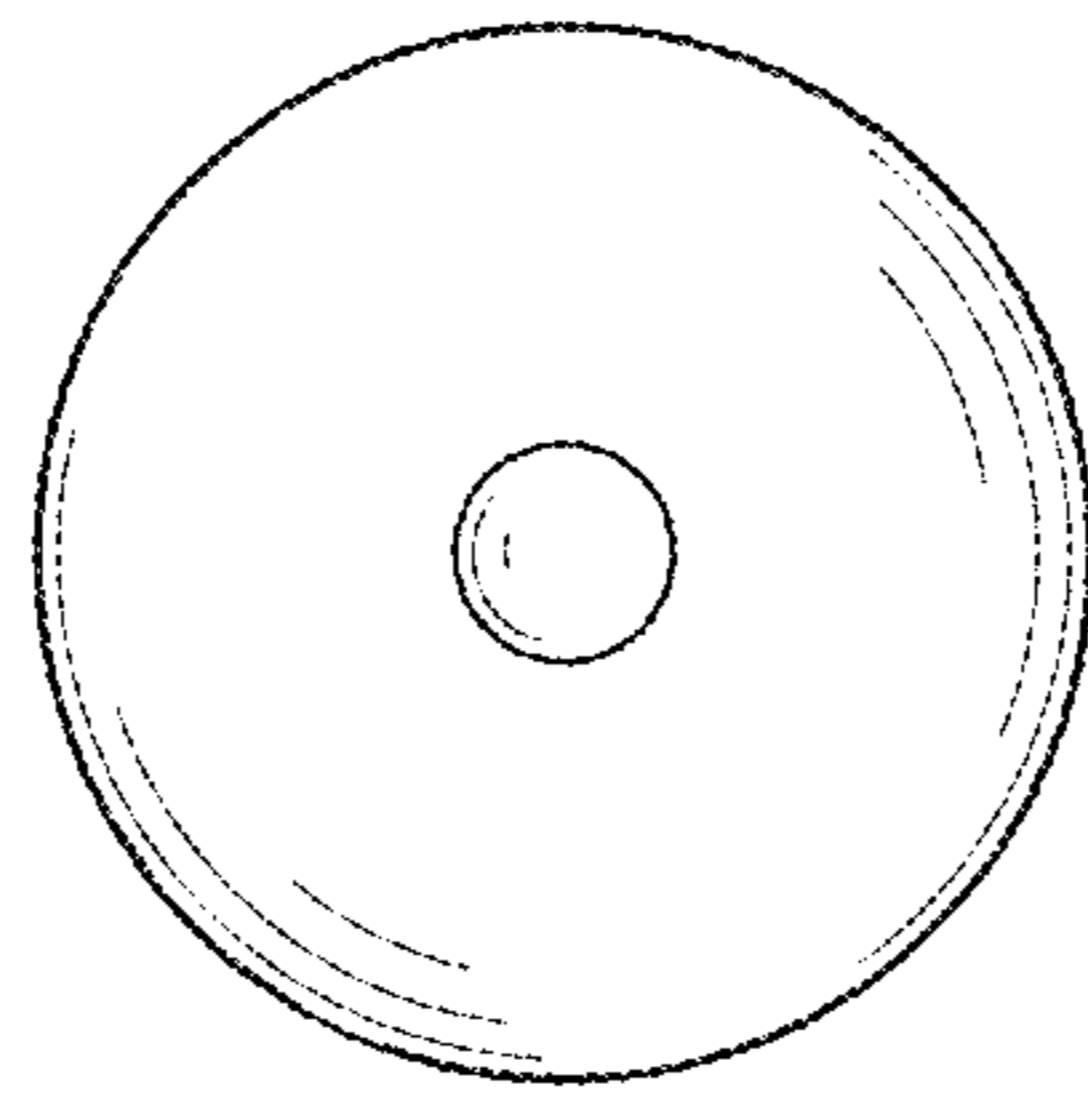


FIG. 9

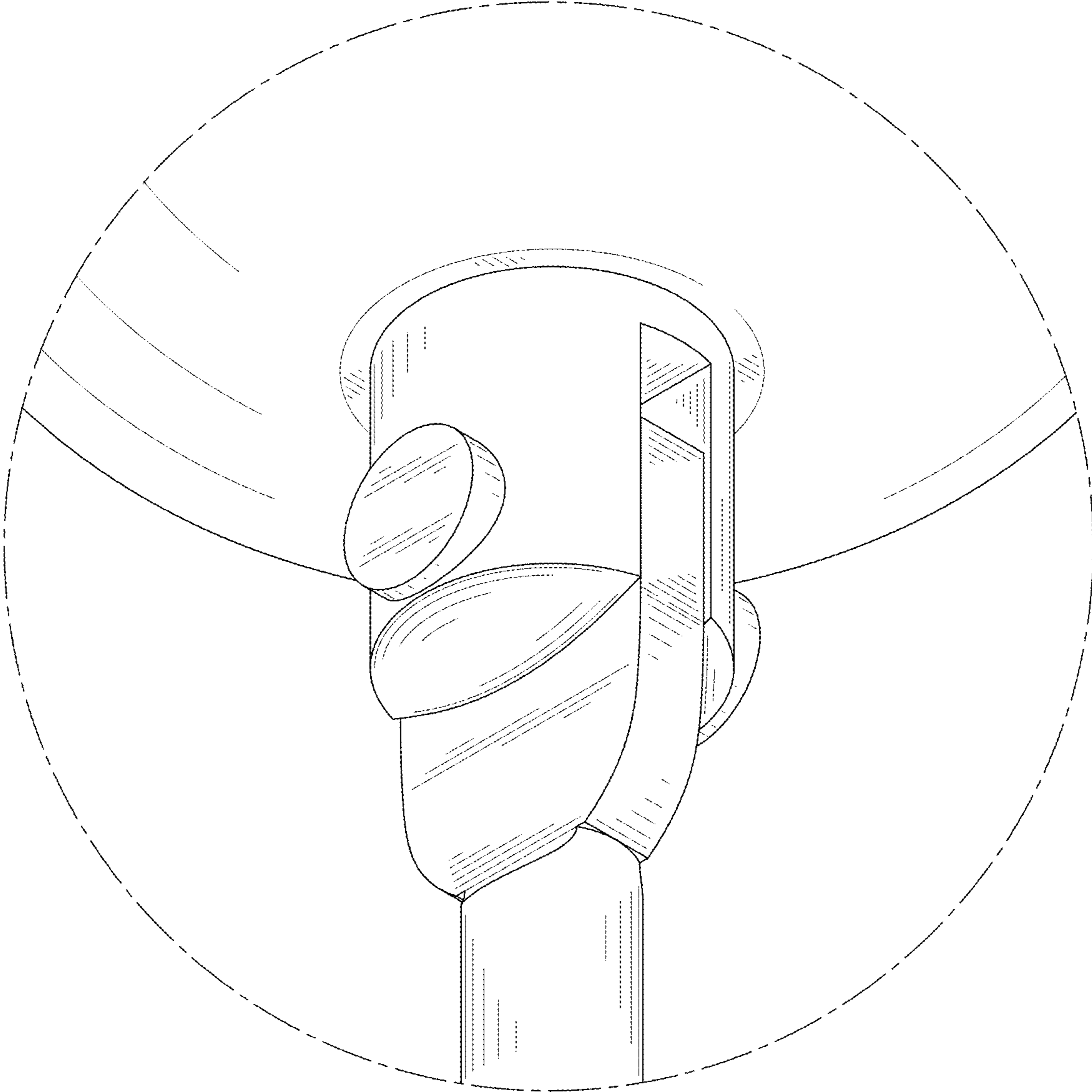


FIG. 10

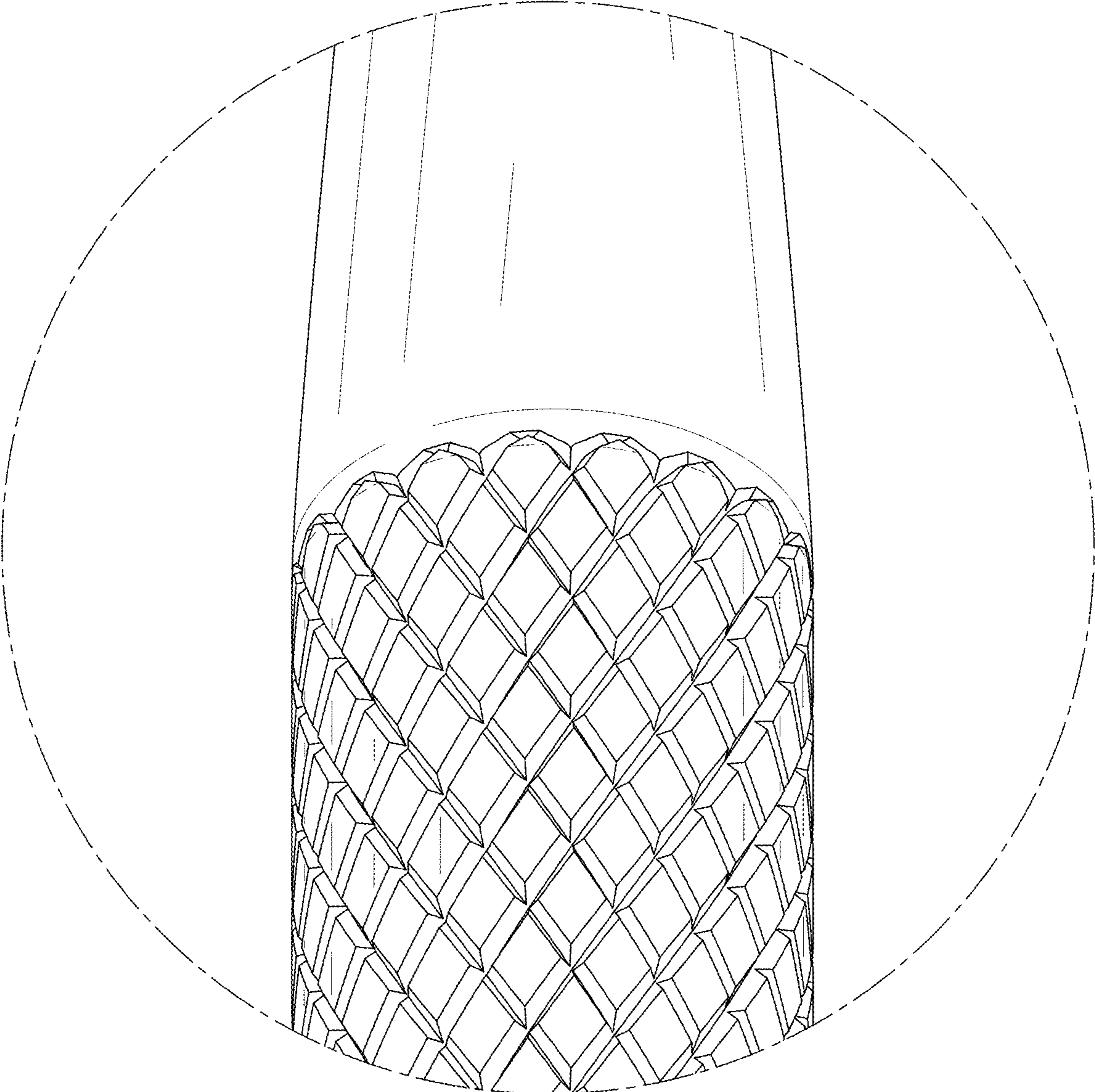


FIG. 11