



US00D973277S

(12) **United States Design Patent** (10) **Patent No.:** **US D973,277 S**
Lin (45) **Date of Patent:** **** Dec. 20, 2022**

(54) **SHAVER**
(71) Applicant: **Chun Lin**, Guangdong (CN)
(72) Inventor: **Chun Lin**, Guangdong (CN)
(**) Term: **15 Years**
(21) Appl. No.: **29/763,773**
(22) Filed: **Dec. 23, 2020**
(51) **LOC (13) Cl.** **28-03**
(52) **U.S. Cl.**
USPC **D28/46**
(58) **Field of Classification Search**
USPC D28/45-51, 99; D24/146, 147
CPC B26B 21/00; B26B 21/08; B26B 21/14;
B26B 21/40; B26B 21/44; B26B 21/52;
B26B 21/528
See application file for complete search history.

2018/0142141 A1* 5/2018 Xiao B26B 21/4012
2019/0270211 A1* 9/2019 Harris, II B26B 21/521
2020/0061858 A1* 2/2020 Coresh B26B 21/227

OTHER PUBLICATIONS

Popular Magnetic Razor Head 5 Blade Razor Maquina De Afeitar Men Shaving Set, date unavailable, retrieved from: https://www.alibaba.com/product-detail/Popular-Magnetic-razor-head-5-blade_1600190245248.html.*

* cited by examiner

Primary Examiner — Alison M Ofstun

(57) **CLAIM**

The ornamental design for a shaver, as shown and described.

DESCRIPTION

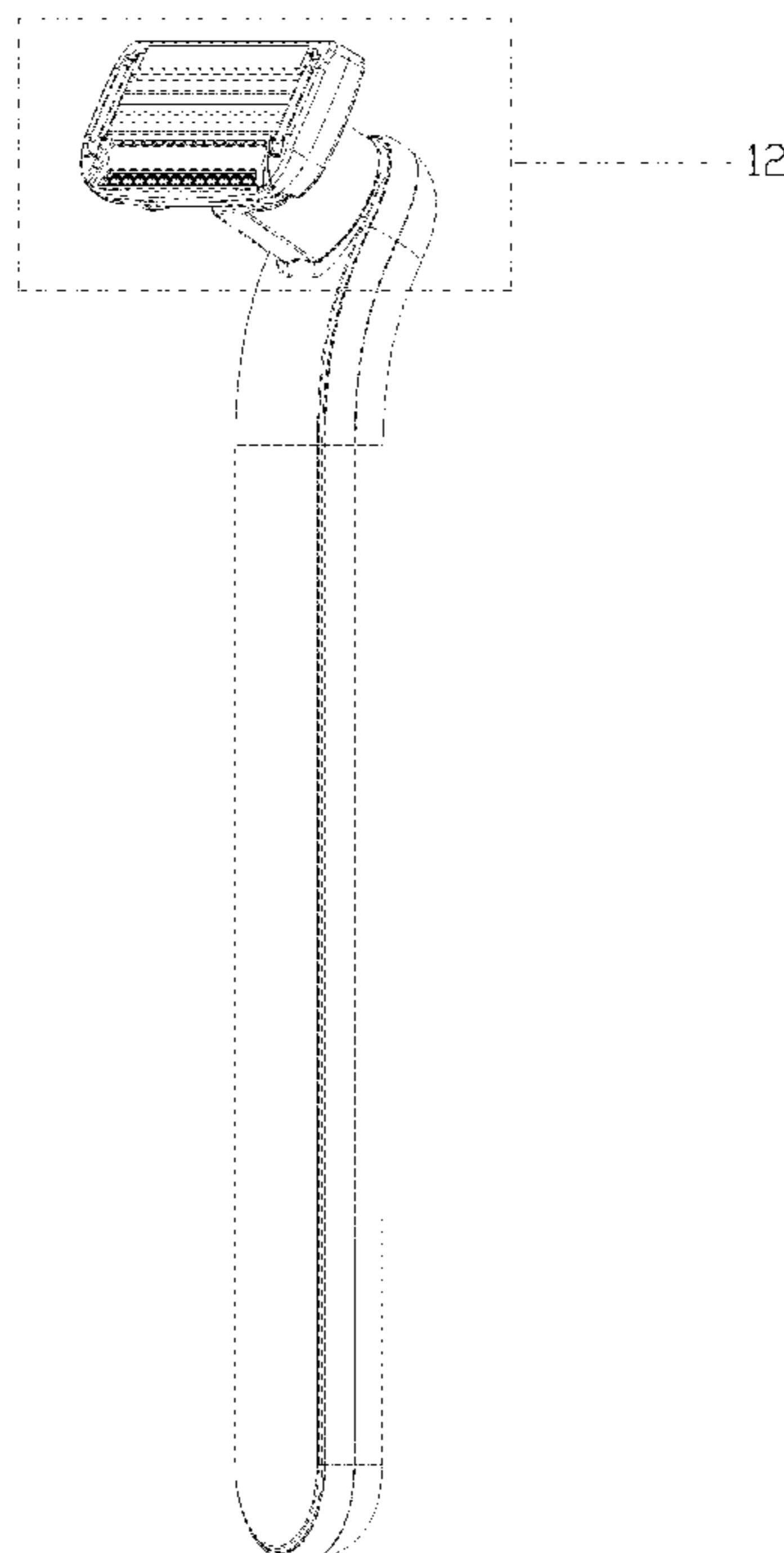
FIG. 1 is a rear elevational view of a shaver showing my new design;
FIG. 2 is a front elevational view thereof;
FIG. 3 is a right side view thereof;
FIG. 4 is a left side view thereof;
FIG. 5 is a bottom plan view thereof;
FIG. 6 is a top plan view thereof;
FIG. 7 is a perspective view thereof;
FIG. 8 is an enlarged view of portion 8 shown in FIG. 1;
FIG. 9 is an enlarged view of portion 9 shown in FIG. 2;
FIG. 10 is an enlarged view of portion 10 shown in FIG. 3;
FIG. 11 is an enlarged view of portion 11 shown in FIG. 4;
and,
FIG. 12 is an enlarged view of portion 12 shown in FIG. 7.
In the drawings, the broken lines illustrate portions of the article and enlarged view indicators and form no part of the claimed design.

(56) **References Cited**

U.S. PATENT DOCUMENTS

D351,485 S * 10/1994 Miskin D28/46
5,918,369 A * 7/1999 Apprille, Jr. B26B 21/4012
30/47
6,223,442 B1 * 5/2001 Pina B26B 21/225
30/50
6,675,479 B1 * 1/2004 Walker, Jr. B26B 21/4018
30/34.2
11,000,959 B2 * 5/2021 Appiah B26B 21/227
D933,891 S * 10/2021 Randhawa D28/46
11,148,310 B2 * 10/2021 Maimone B26B 21/523
2015/0266191 A1 * 9/2015 Maimone B26B 21/52
30/527
2016/0107324 A1 * 4/2016 Robertson B26B 21/10
30/53

1 Claim, 12 Drawing Sheets



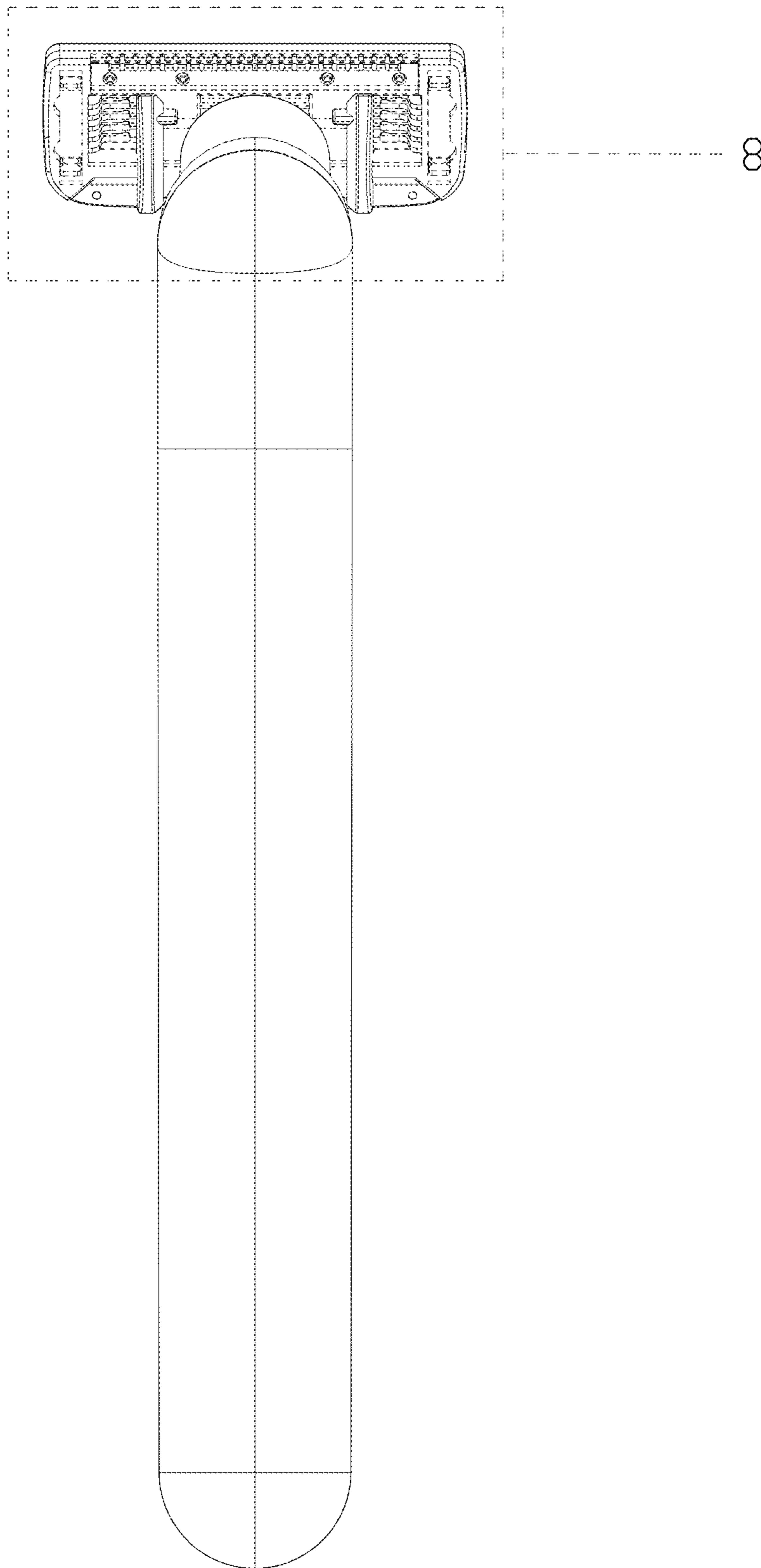


FIG.1

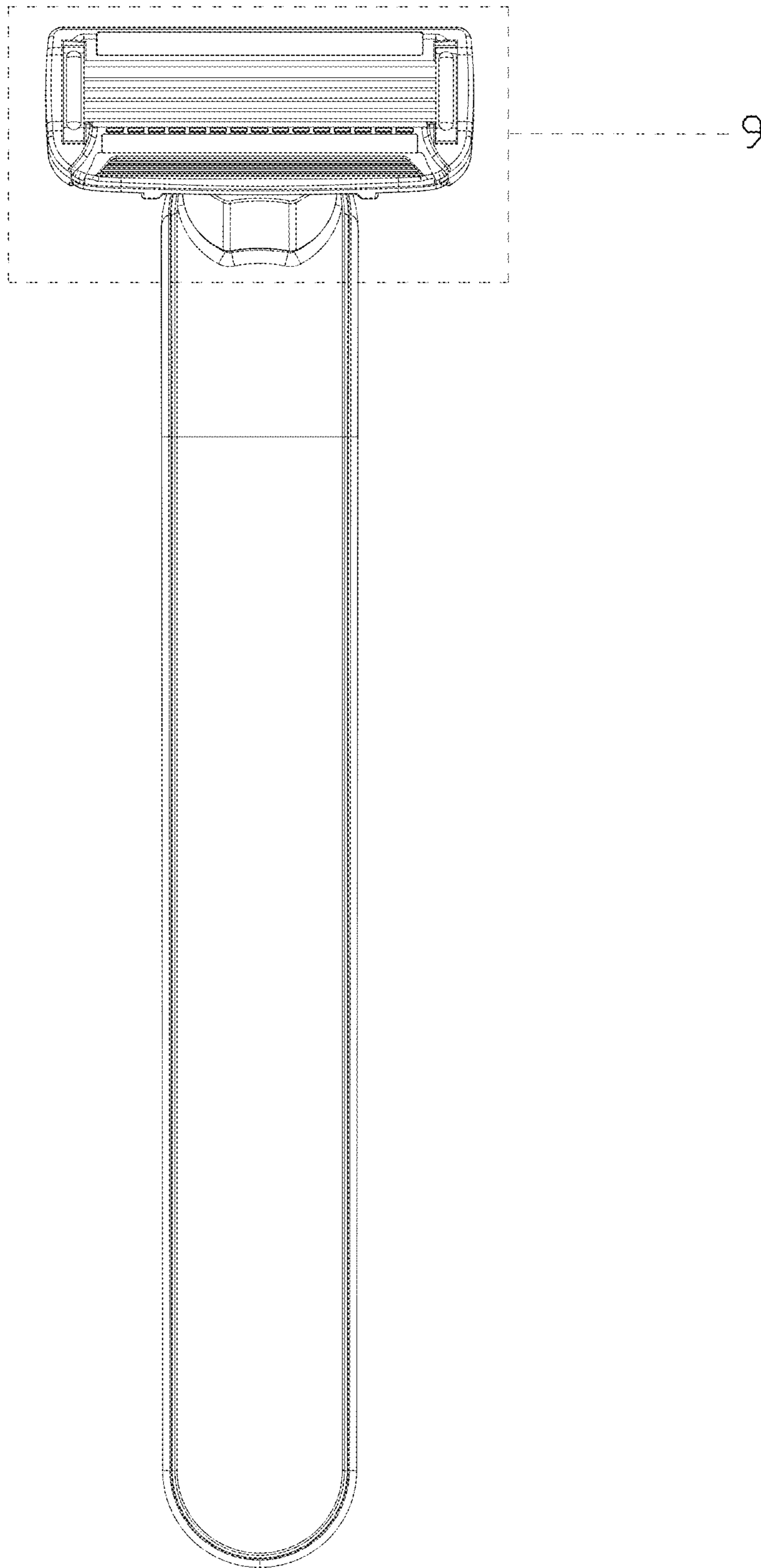


FIG.2

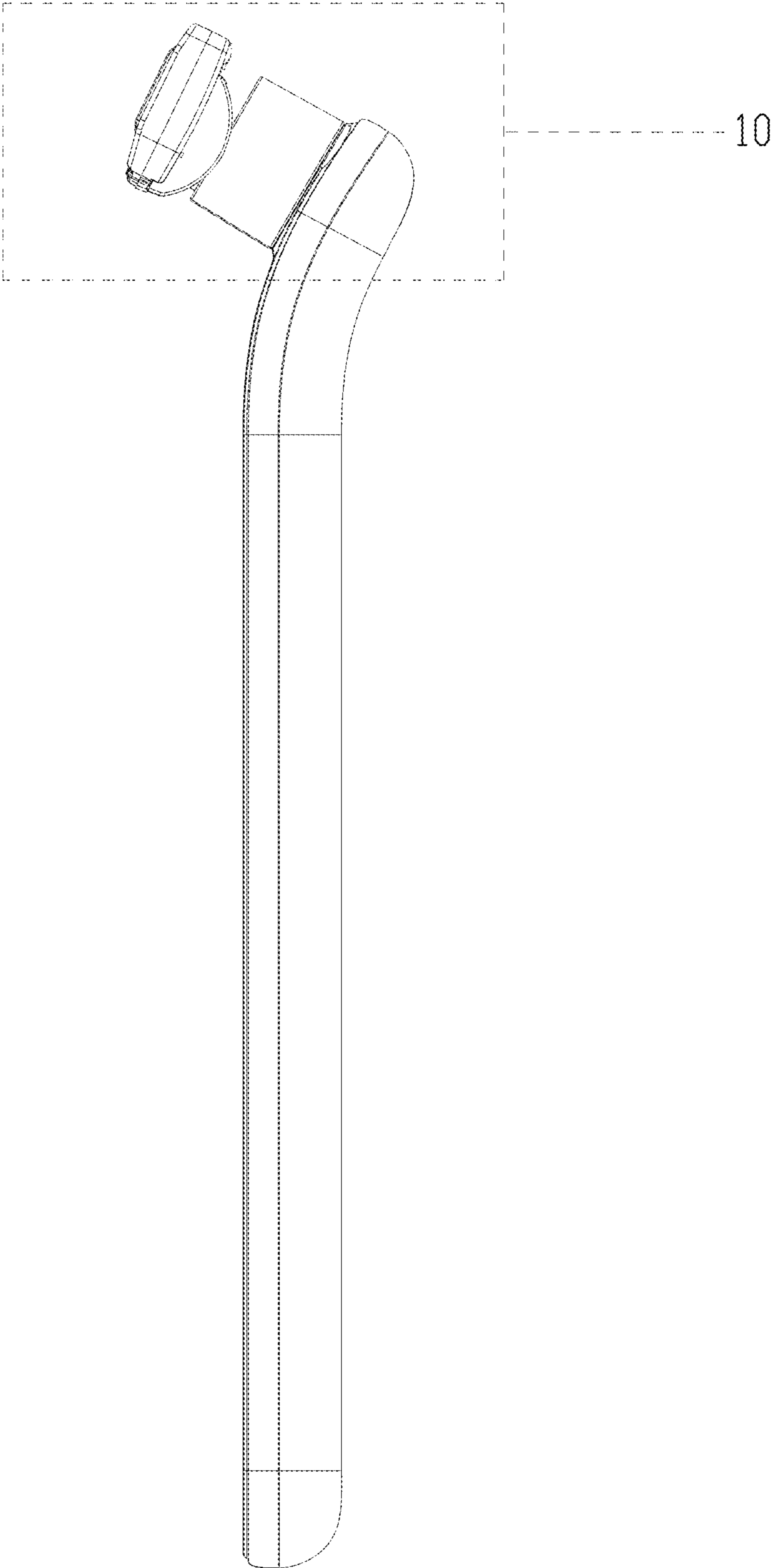


FIG.3

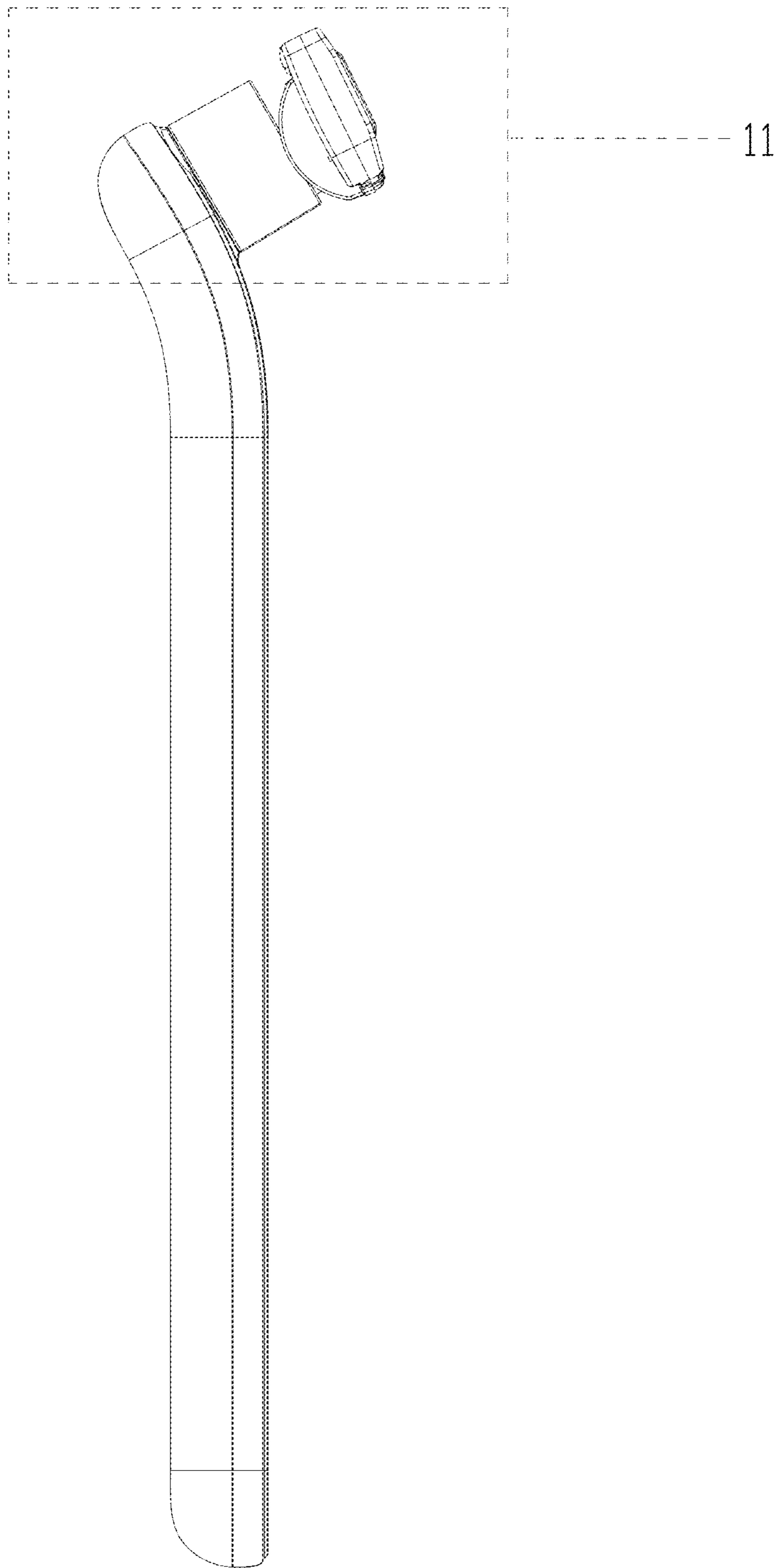


FIG.4

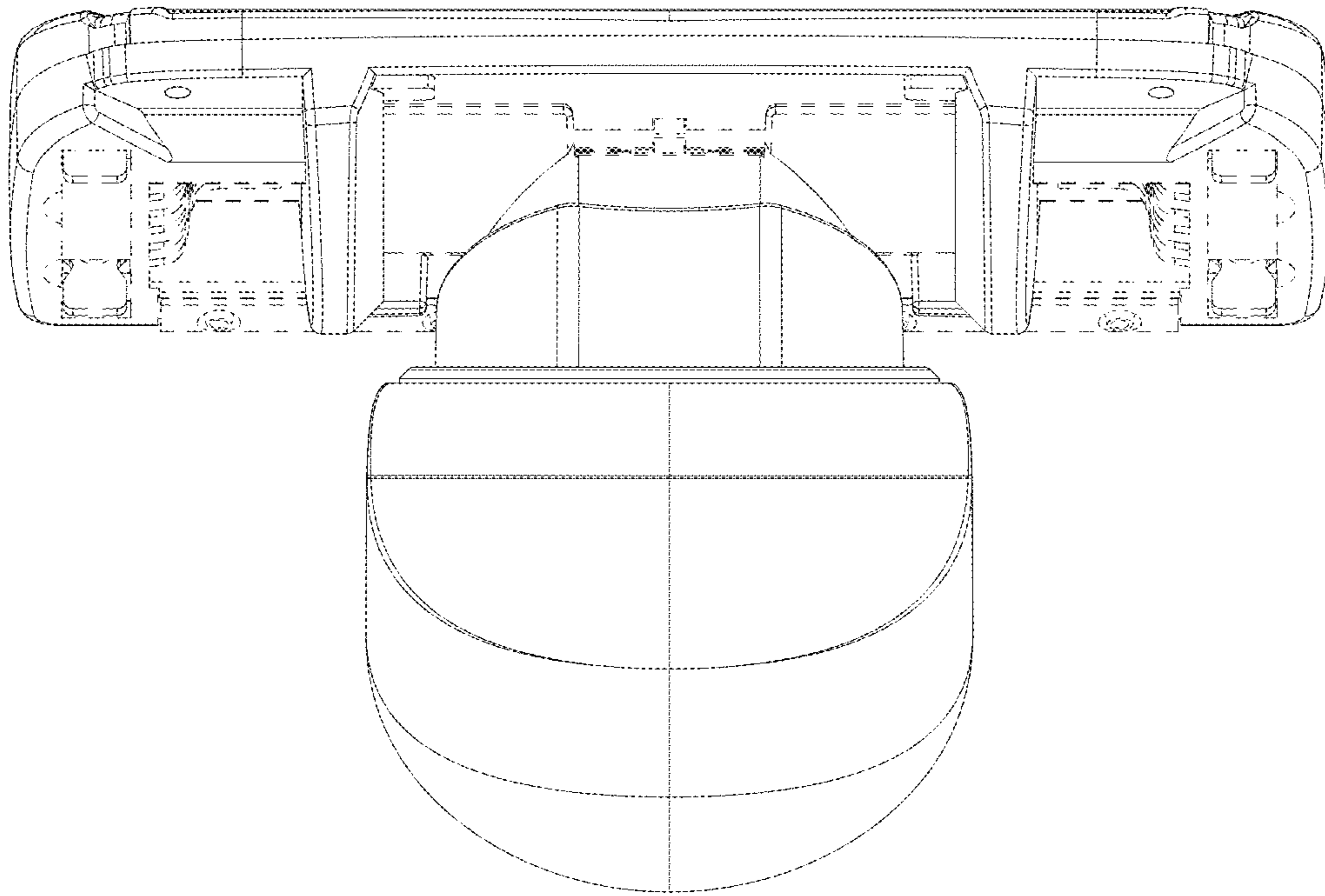


FIG. 5

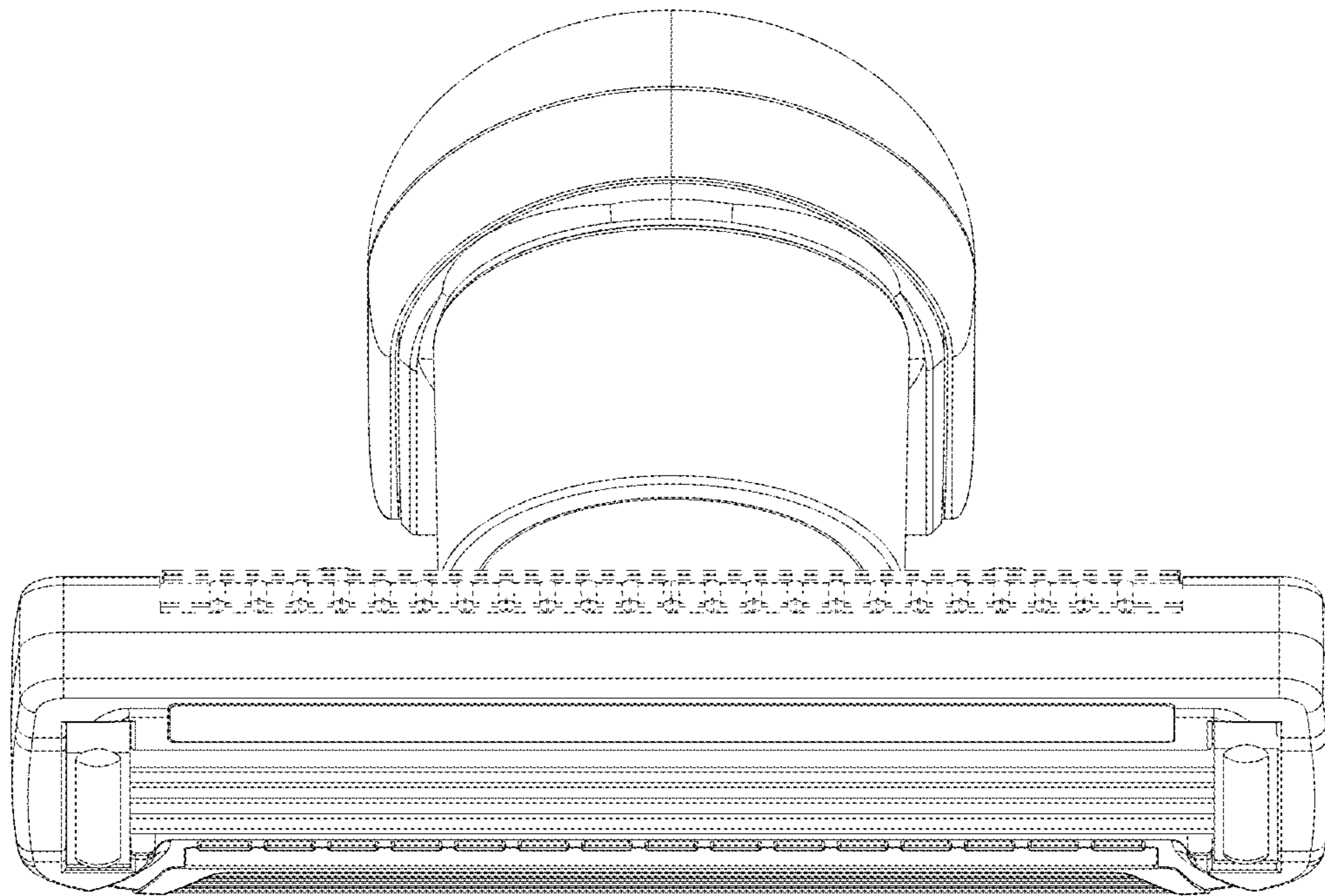


FIG. 6

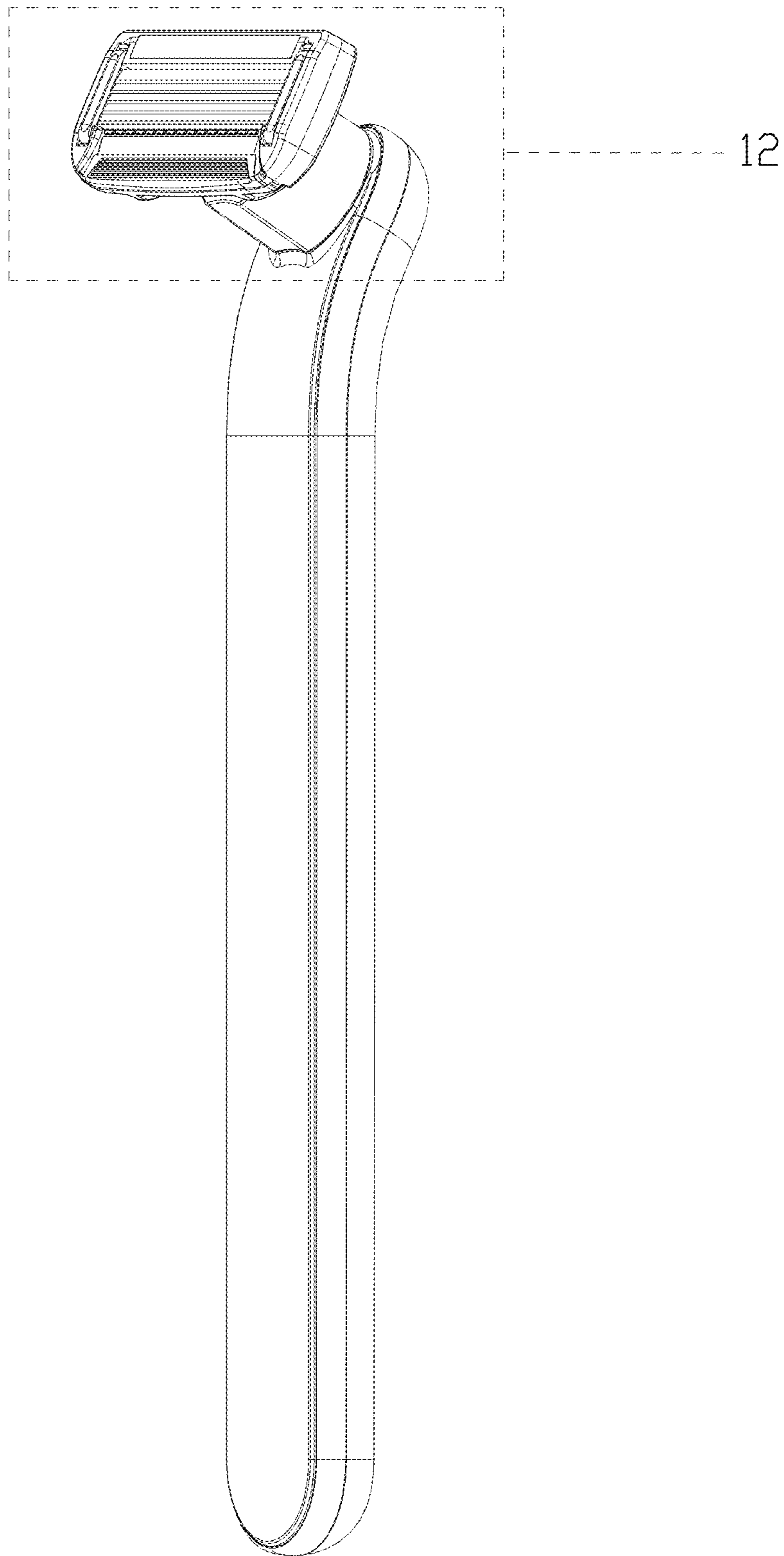


FIG. 7

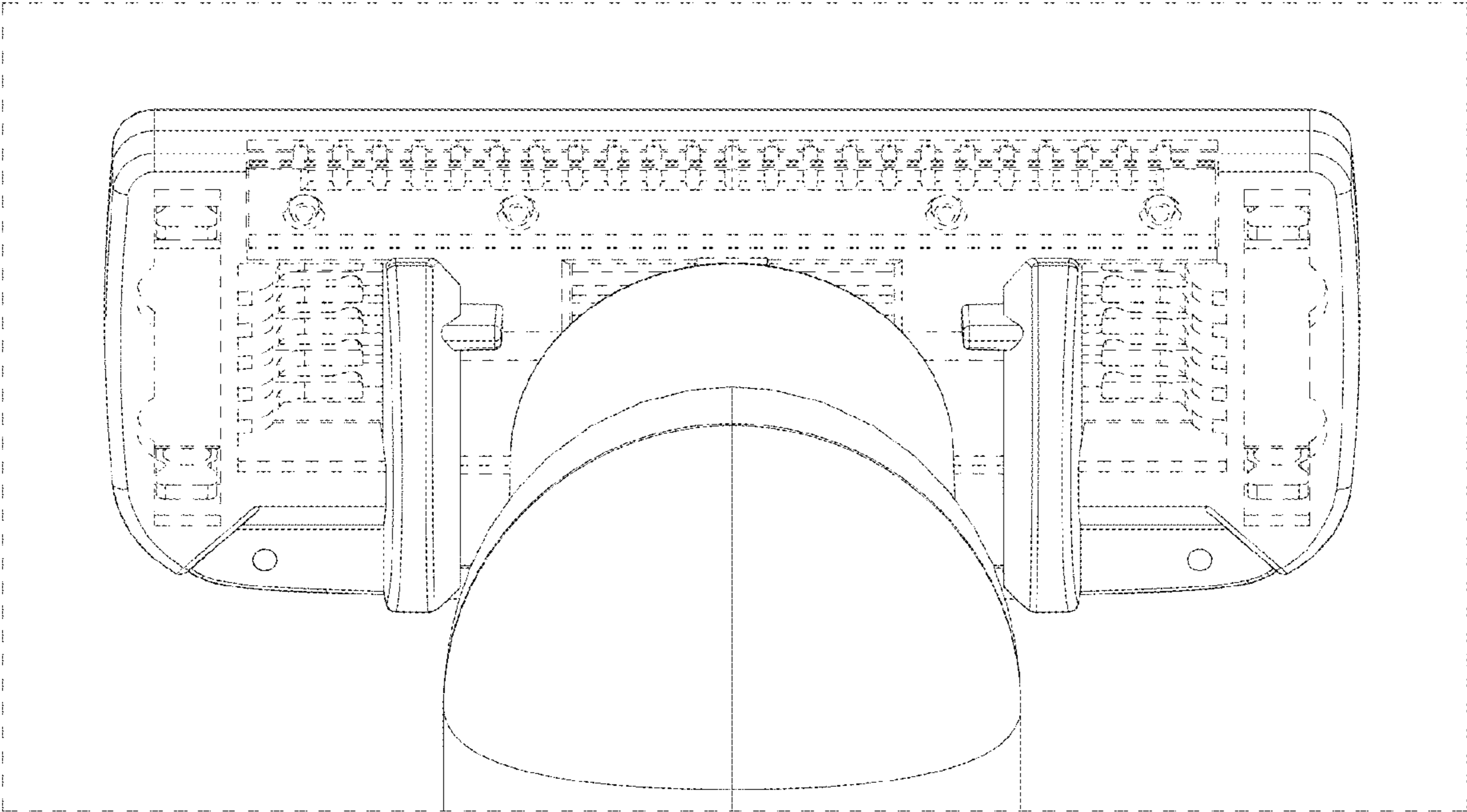


FIG.8

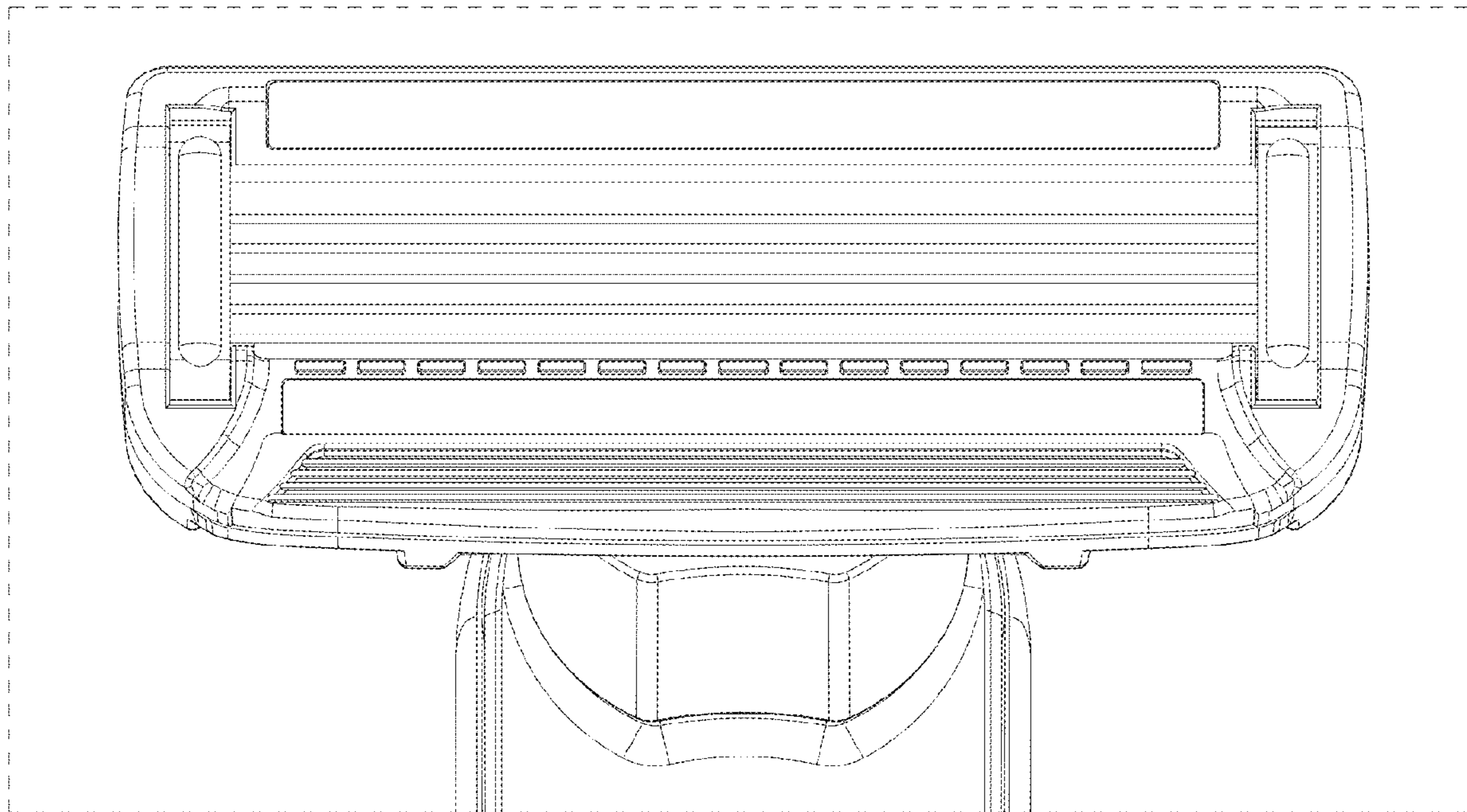


FIG.9

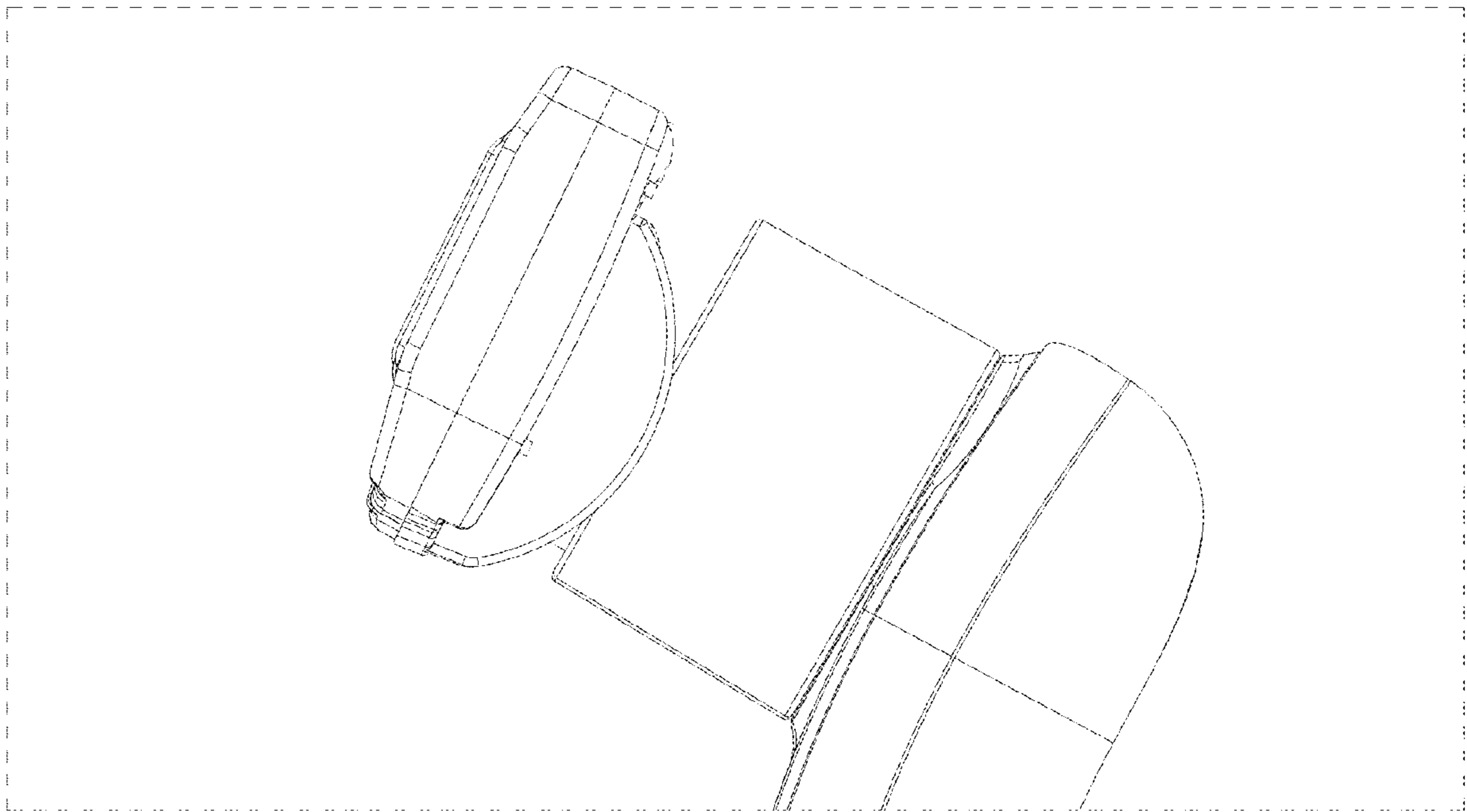


FIG.10

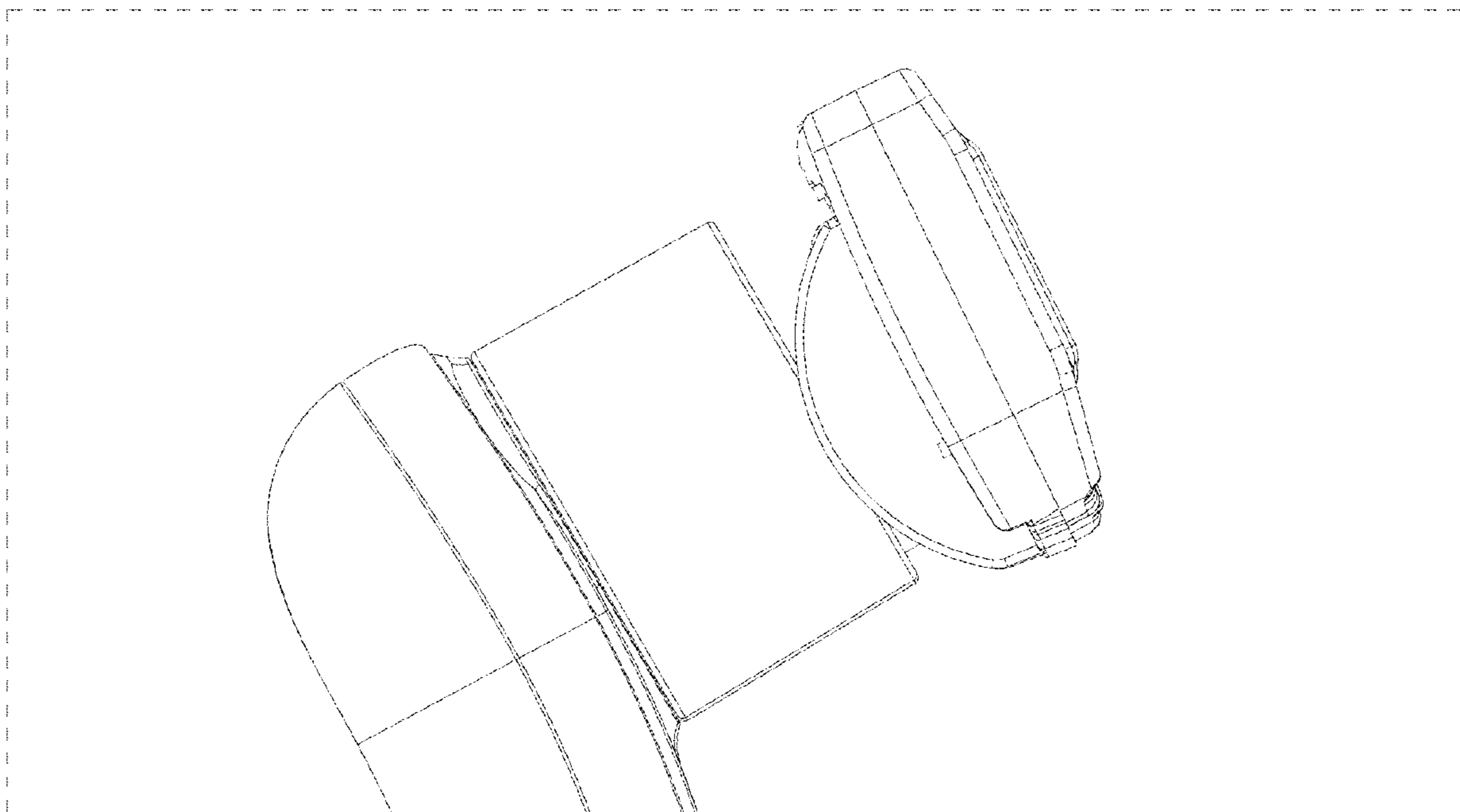


FIG.11

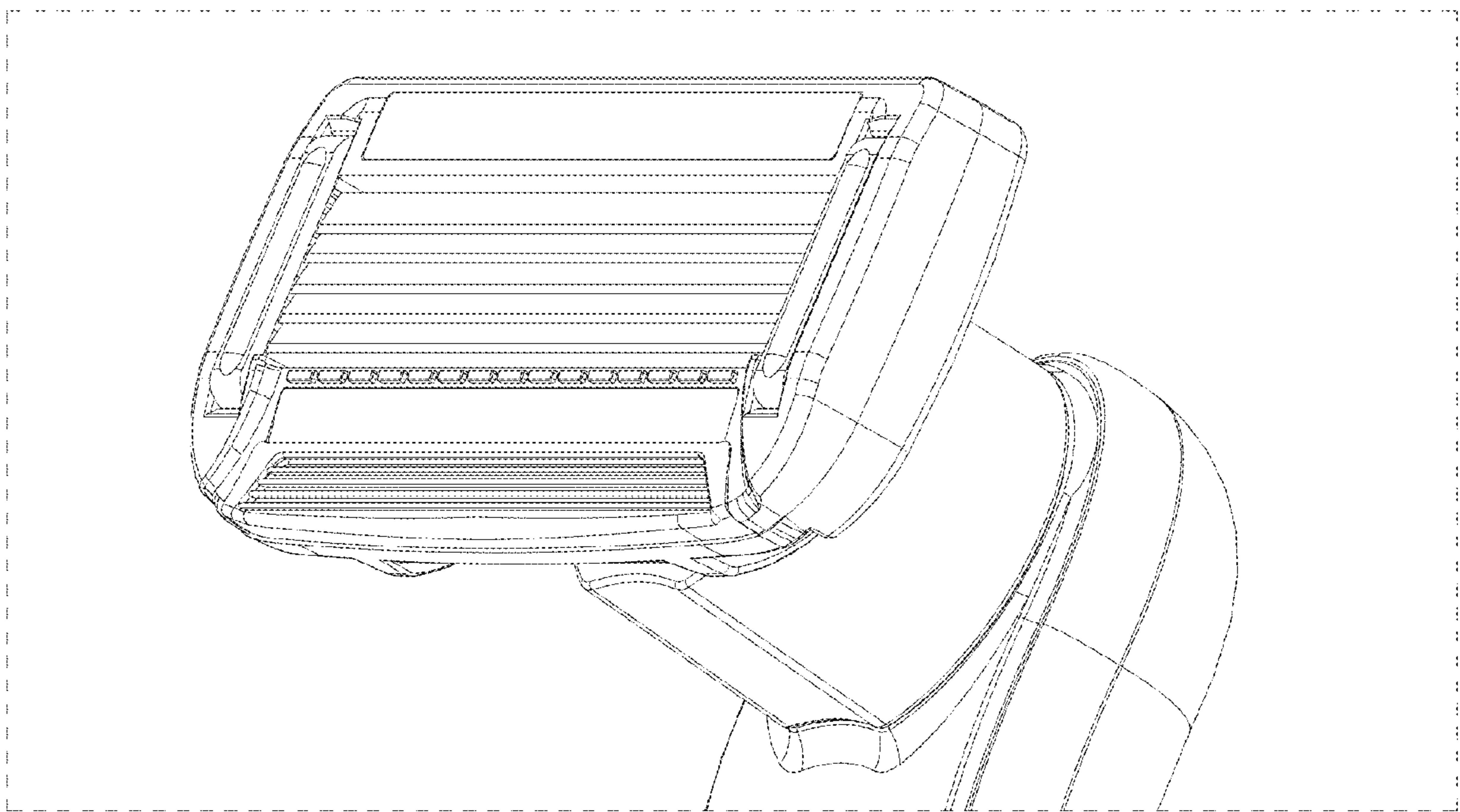


FIG.12