



US00D973276S

(12) **United States Design Patent** (10) **Patent No.:** **US D973,276 S**
Brady et al. (45) **Date of Patent:** **** Dec. 20, 2022**

(54) **HAIR IRON**

OTHER PUBLICATIONS

(71) Applicant: **JEMELLA GROUP LIMITED**, Leeds (GB)

Ghd Platinum Hair Straightener [online], [site visited Oct. 22, 2020]. Available from internet, URL:<https://www.amazon.com/ghd-Platinum-Professional-Performance-Styler/dp/B07F7Q4PTN?th=1> (Year: 2018).*

(72) Inventors: **Daniel Brady**, Surrey (GB); **Adam Stone**, Richmond (GB); **Tim Hone**, Hertfordshire (GB)

(Continued)

(73) Assignee: **JEMELLA GROUP LIMITED**, Leeds (GB)

Primary Examiner — Cynthia Ramirez
Assistant Examiner — Xavier Marti-Santos

(**) Term: **15 Years**

(74) *Attorney, Agent, or Firm* — Stephen J. Weyer, Esq.; Stites & Harbison, PLLC

(21) Appl. No.: **29/787,195**

(57) **CLAIM**

(22) Filed: **Jun. 4, 2021**

The ornamental design for a hair iron, as shown and described.

Related U.S. Application Data

DESCRIPTION

(63) Continuation-in-part of application No. 29/713,385, filed on Nov. 15, 2019, now Pat. No. Des. 931,533.

FIG. 1 is a front, left side and top side perspective view of the hair iron of our design, in its closed configuration.

(30) **Foreign Application Priority Data**

FIG. 2 is a front, right side and bottom side perspective view thereof.

Jun. 12, 2019 (EM) 006576377-0001

FIG. 3 is a top plan view thereof.

Jun. 12, 2019 (EM) 006576377-0002

FIG. 4 is a bottom view thereof.

(Continued)

FIG. 5 is a left side elevation view thereof, the right side being a mirror image thereof.

(51) **LOC (13) Cl.** **28-03**

FIG. 6 is a front elevation view thereof.

(52) **U.S. Cl.**

FIG. 7 is a rear elevation view thereof.

USPC **D28/35**

(58) **Field of Classification Search**

FIG. 8 is a front, left side and top side perspective view of the hair iron of our design, in its opened configuration.

USPC D28/10, 35, 37, 38

FIG. 9 is a front, right side and bottom side perspective view thereof.

(Continued)

FIG. 10 is a top plan view thereof.

(56) **References Cited**

FIG. 11 is a bottom view thereof.

U.S. PATENT DOCUMENTS

FIG. 12 is a left side elevation view thereof and the right side being a mirror image thereof.

D514,252 S * 1/2006 Shin D28/35
D544,646 S 6/2007 Overend

FIG. 13 is a front elevation view thereof; and,

(Continued)

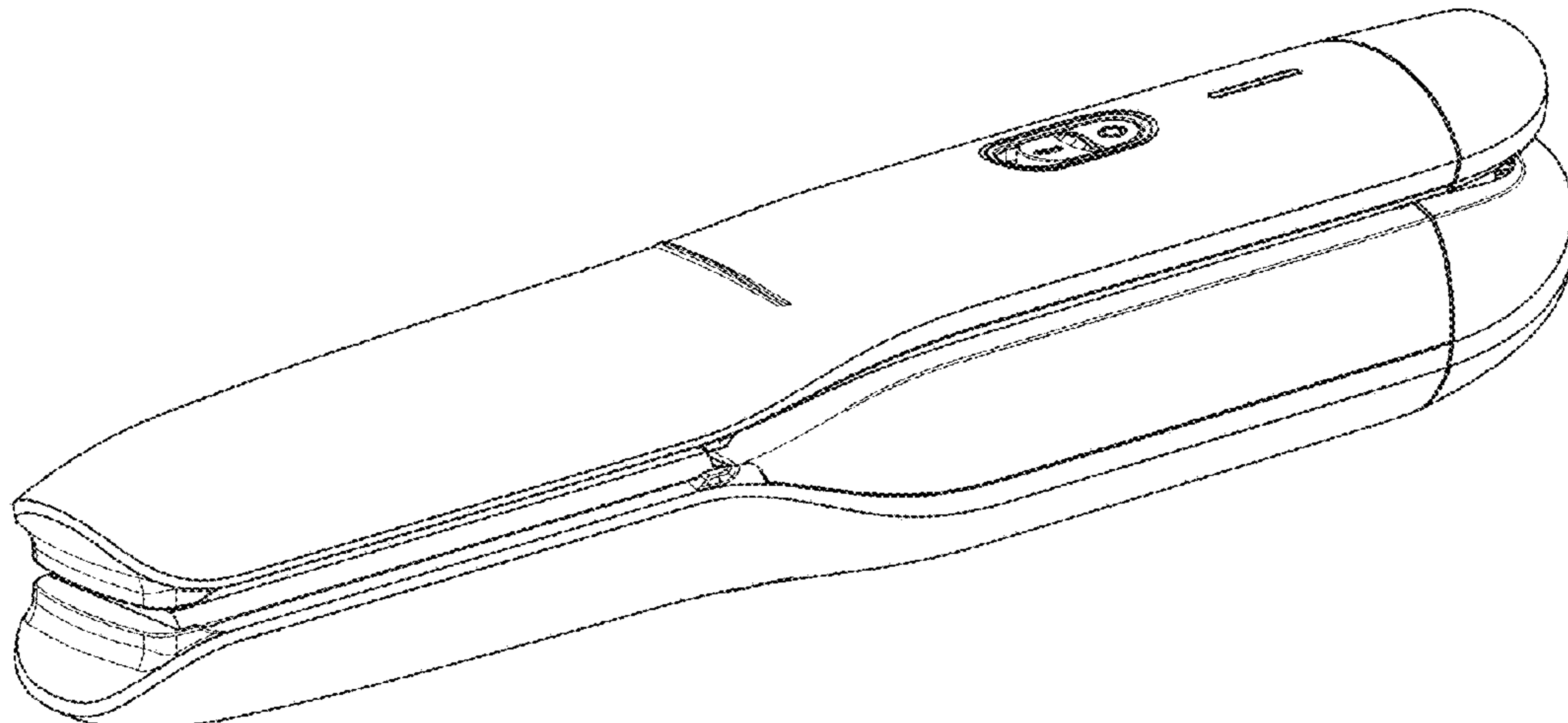
FIG. 14 is a rear elevation view thereof.

FOREIGN PATENT DOCUMENTS

Broken lines in the figures are for the purpose of illustrating portions of the hair iron which form no part of the claimed design.

JP D1666133 * 12/2019

1 Claim, 14 Drawing Sheets



(30) **Foreign Application Priority Data**

Jun. 12, 2019 (EM) 006576377-0003
 Jun. 12, 2019 (EM) 006576377-0004

(58) **Field of Classification Search**

CPC A45D 2/00; A45D 2001/045; A45D 1/16;
 A45D 1/04; A45D 1/18; A45D 1/06-14;
 A45D 2/02-10; A45D 2/38-42; A45D
 2/001-002

See application file for complete search history.

D650,129 S 12/2011 Hein
 D650,130 S 12/2011 Hein
 D654,621 S * 2/2012 Grienay D28/35
 D672,088 S * 12/2012 Julemont D28/35
 D682,467 S * 5/2013 Kim D28/35
 D682,468 S * 5/2013 Kim D28/35
 D791,408 S 7/2017 Brady et al.
 D825,848 S 8/2018 Brady et al.
 D899,682 S 10/2020 Brady et al.
 D913,589 S * 3/2021 Thalmann D28/35
 D931,533 S * 9/2021 Brady D28/35

(56) **References Cited**

U.S. PATENT DOCUMENTS

D575,453 S 8/2008 Overend
 D605,356 S 12/2009 Hein
 D605,359 S * 12/2009 Keong D28/35
 D623,799 S 9/2010 Hein
 D631,196 S 1/2011 Hein
 D649,288 S * 11/2011 Koehler D28/35
 D650,128 S * 12/2011 Hein D28/35

OTHER PUBLICATIONS

Hair Straightener and Curler, BESTOPE Professional Ceramic 2 In 1 Flat Iron for Hair [online], [site visited Oct. 22, 2020]. Available from internet, URL:<<https://www.amazon.com/BESTOPE-Straightener-Professional-Tourmaline-Technology/dp/B07VYPSVF7>> (Year: 2019).
 U.S. Appl. No. 29/763,386, Brady, et al.
 U.S. Appl. No. 29/764,033, Brady, et al.

* cited by examiner

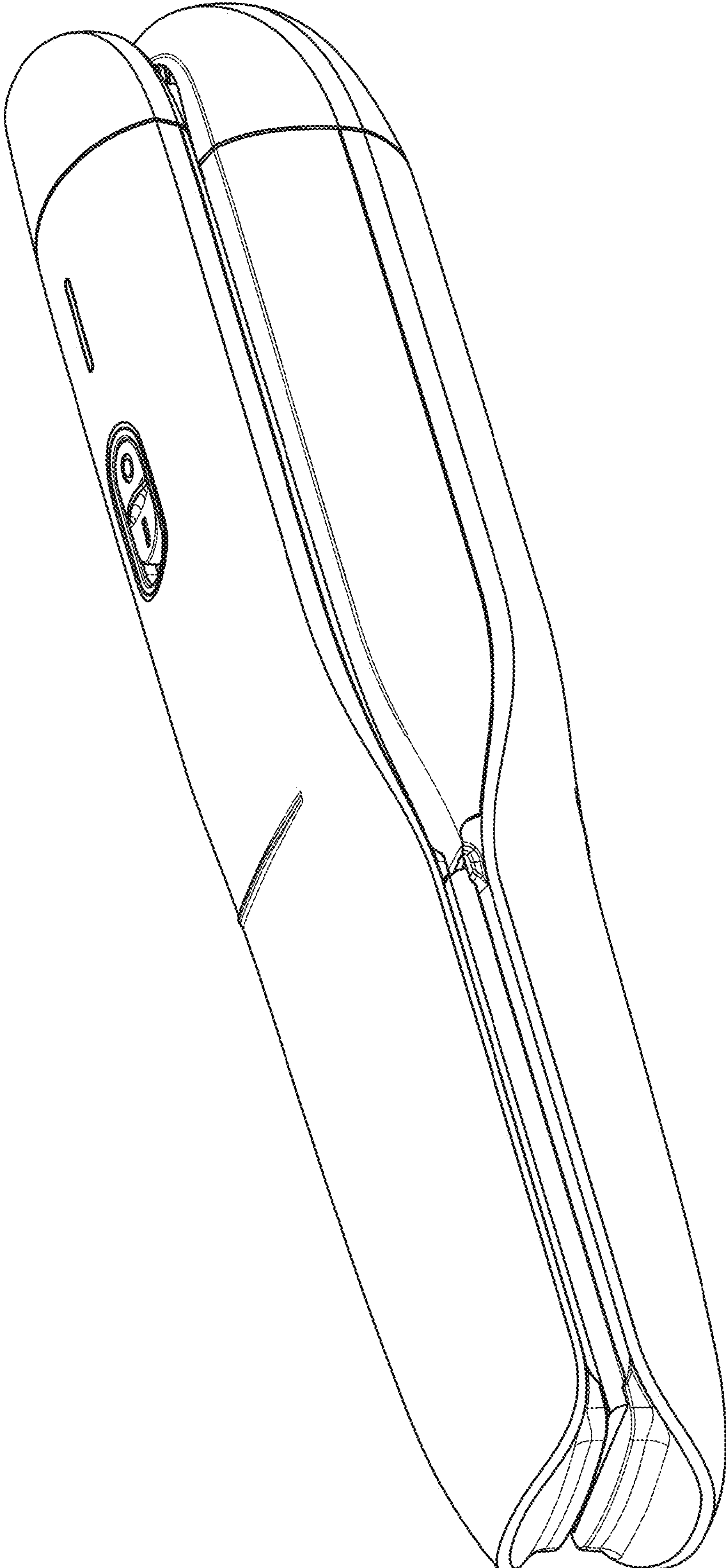


FIG. 1

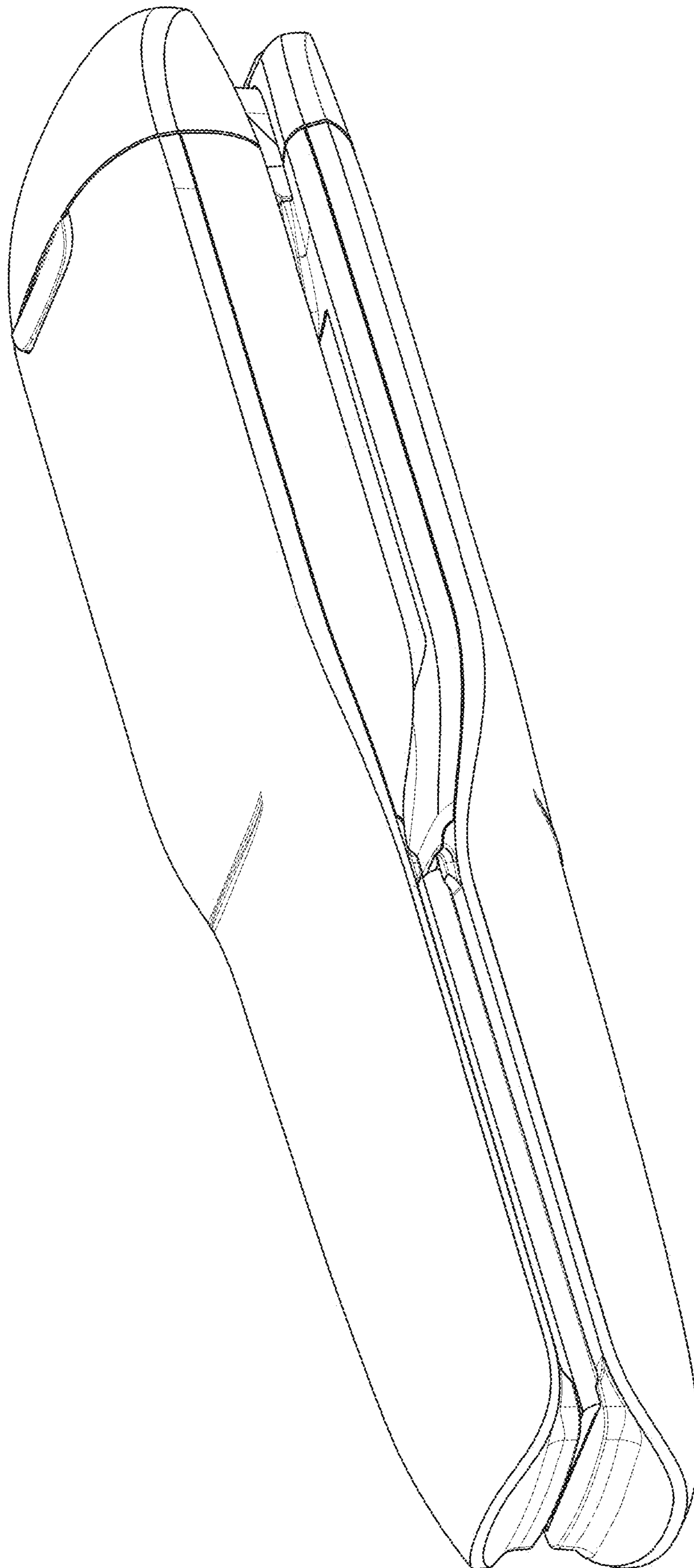


FIG. 2

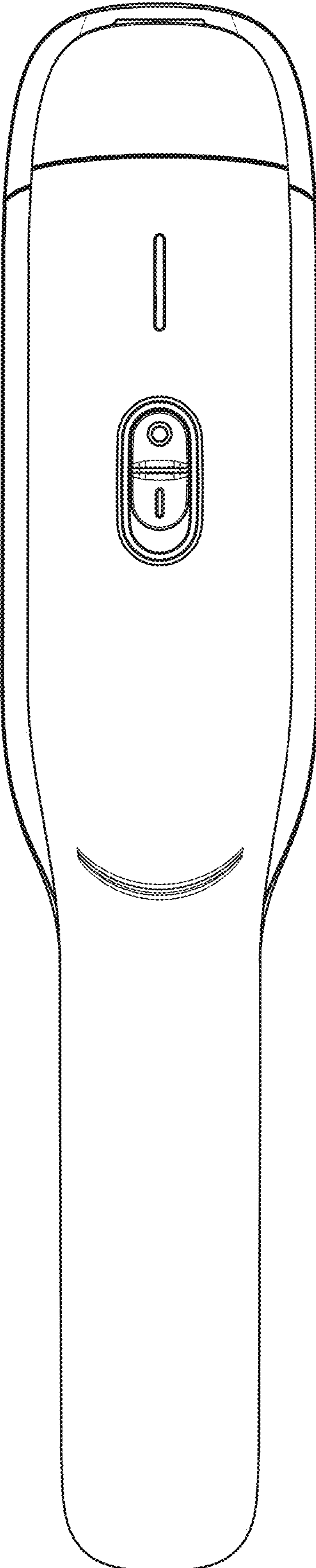


FIG. 3

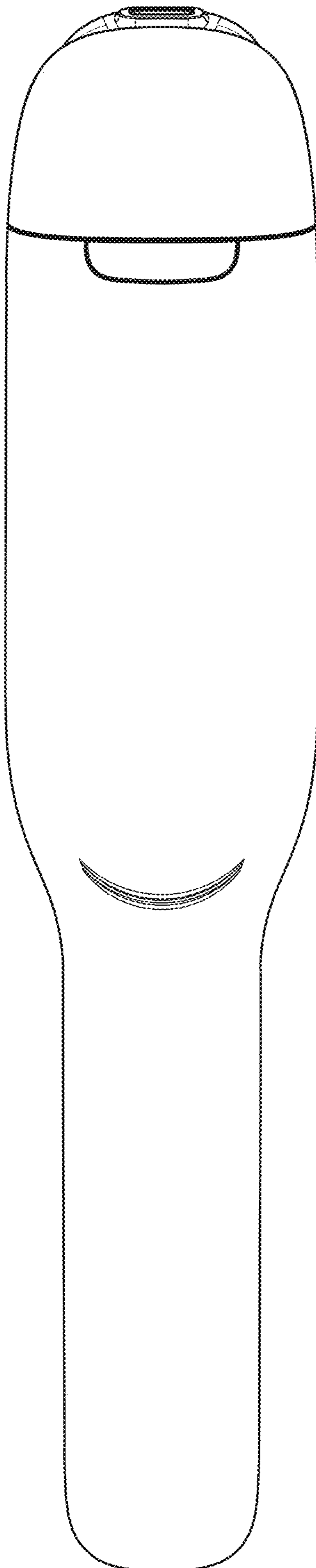


FIG. 4

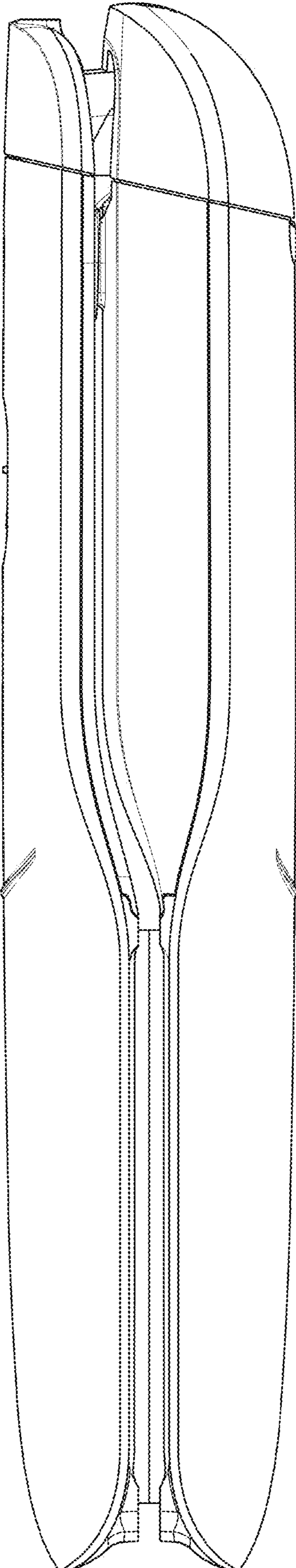


FIG. 5

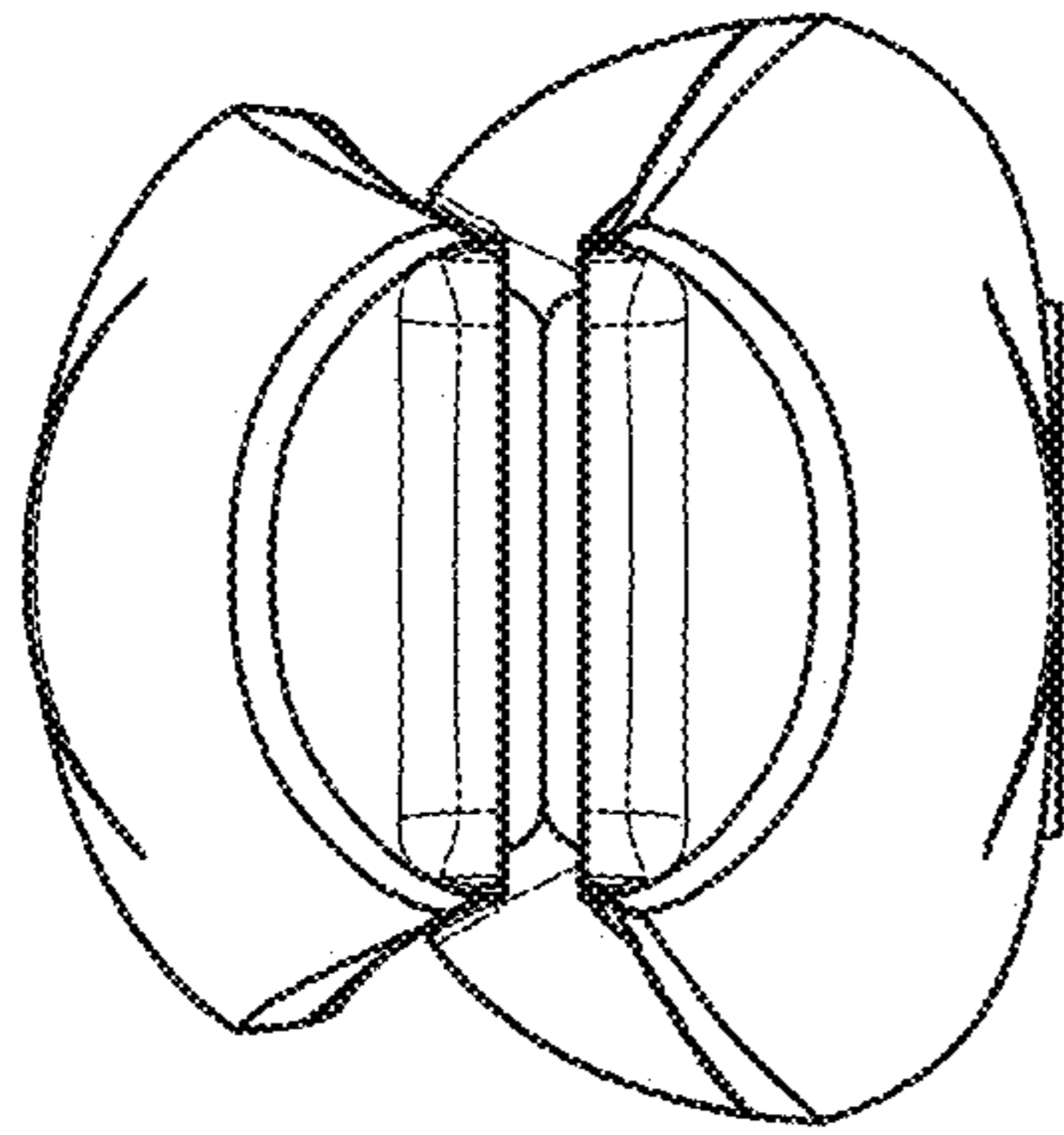


FIG. 6

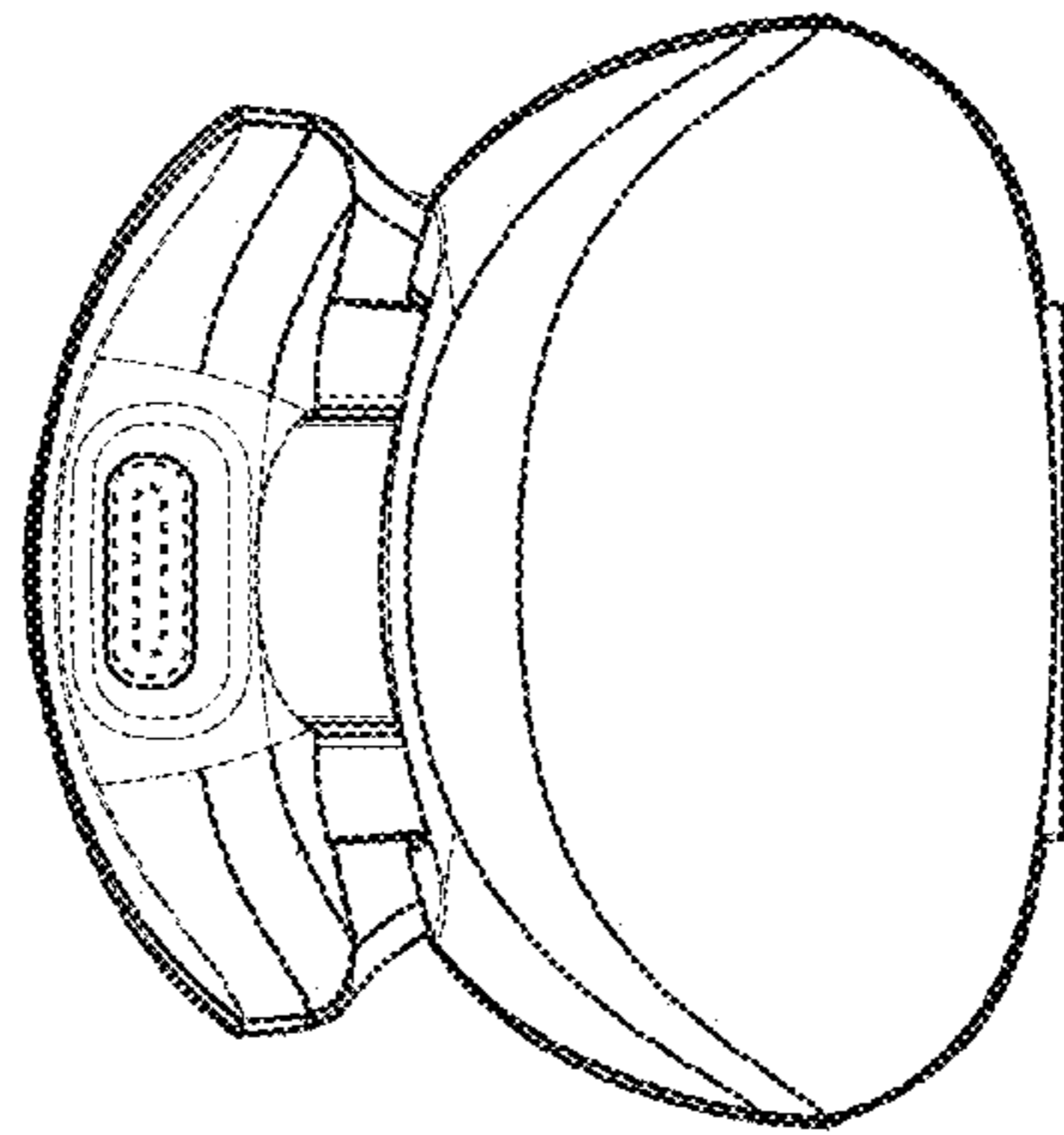


FIG. 7

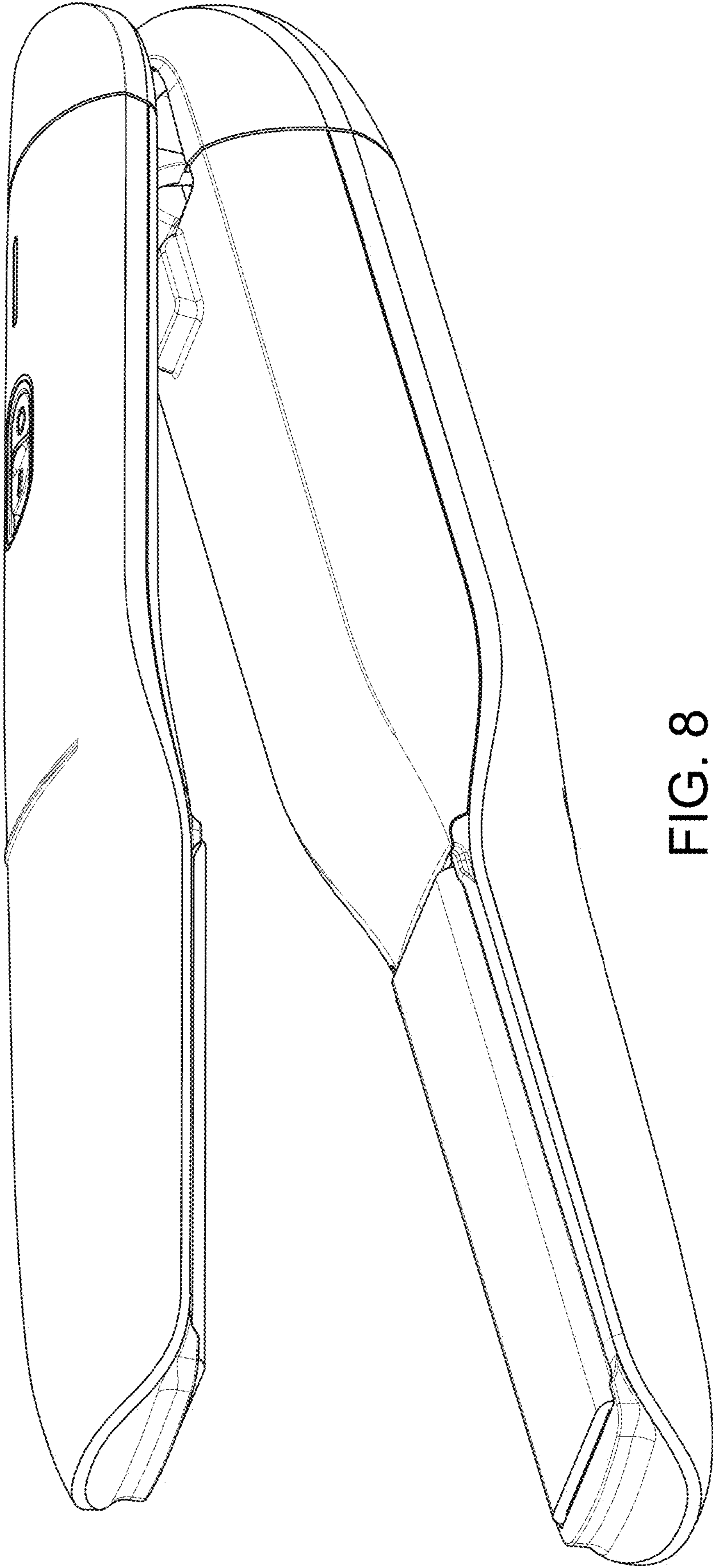


FIG. 8

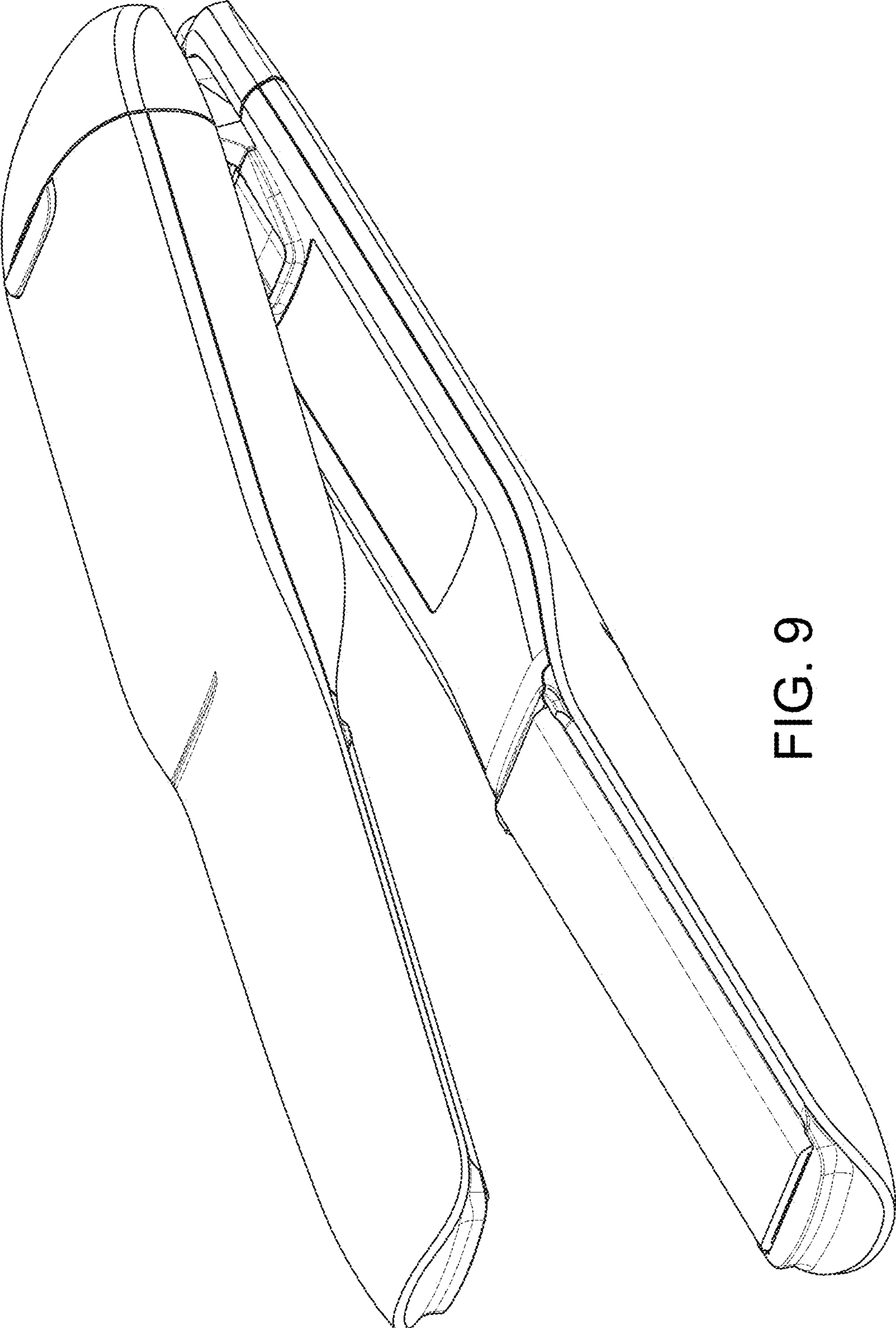


FIG. 9

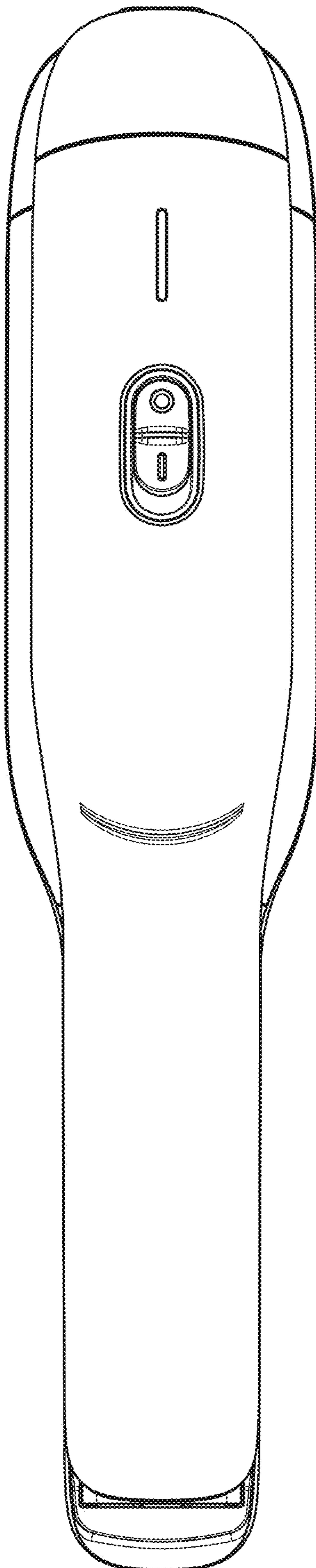


FIG. 10

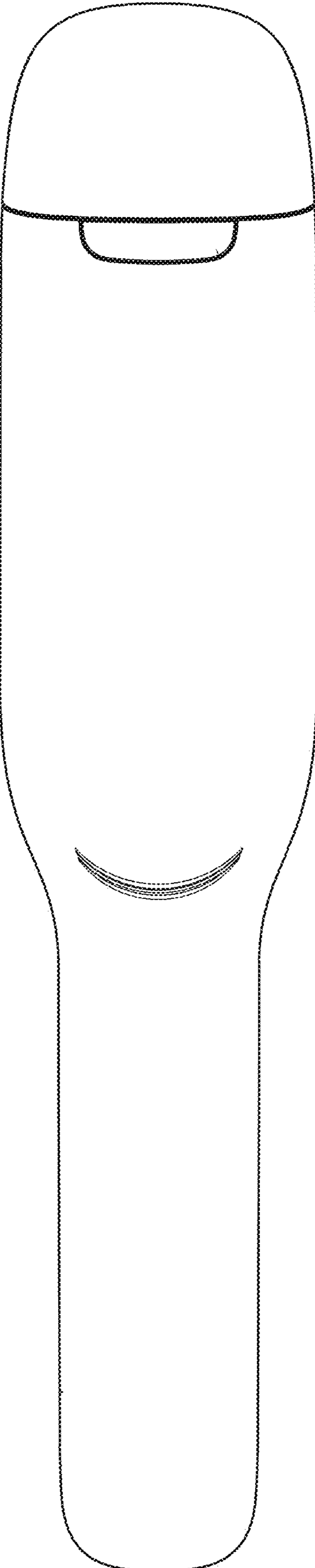


FIG. 11

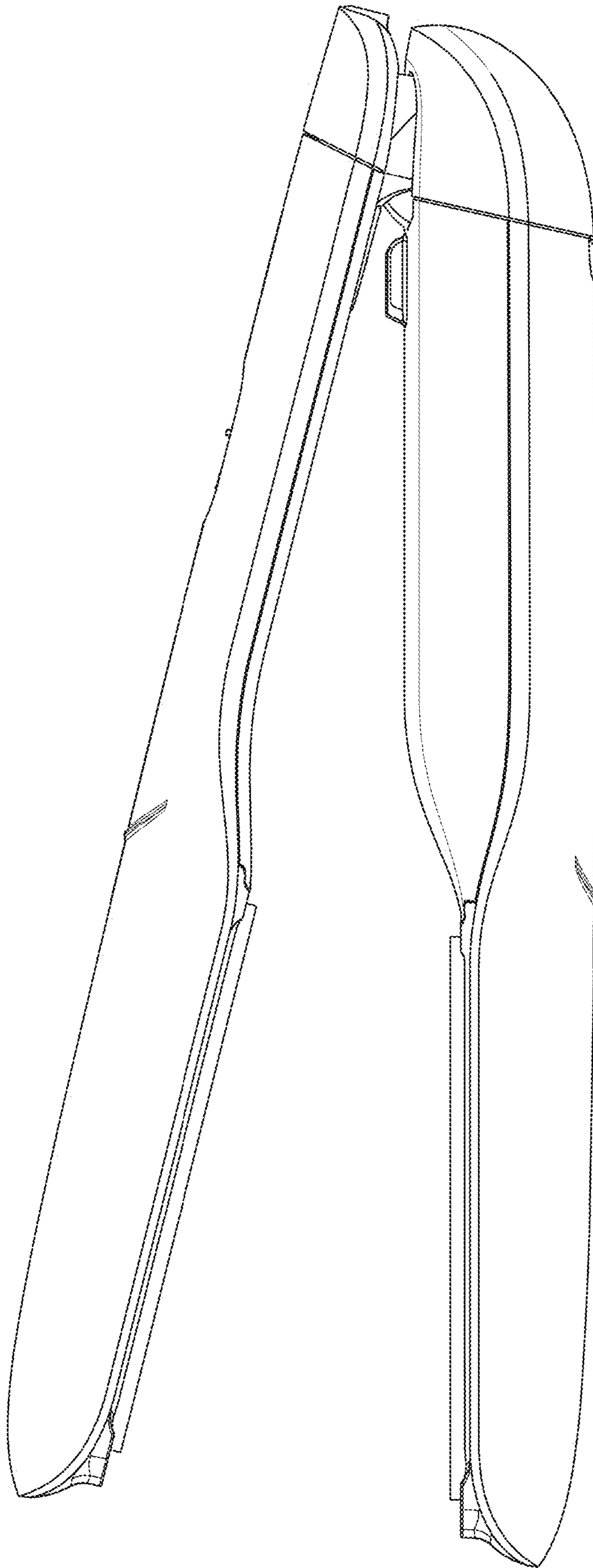


FIG. 12

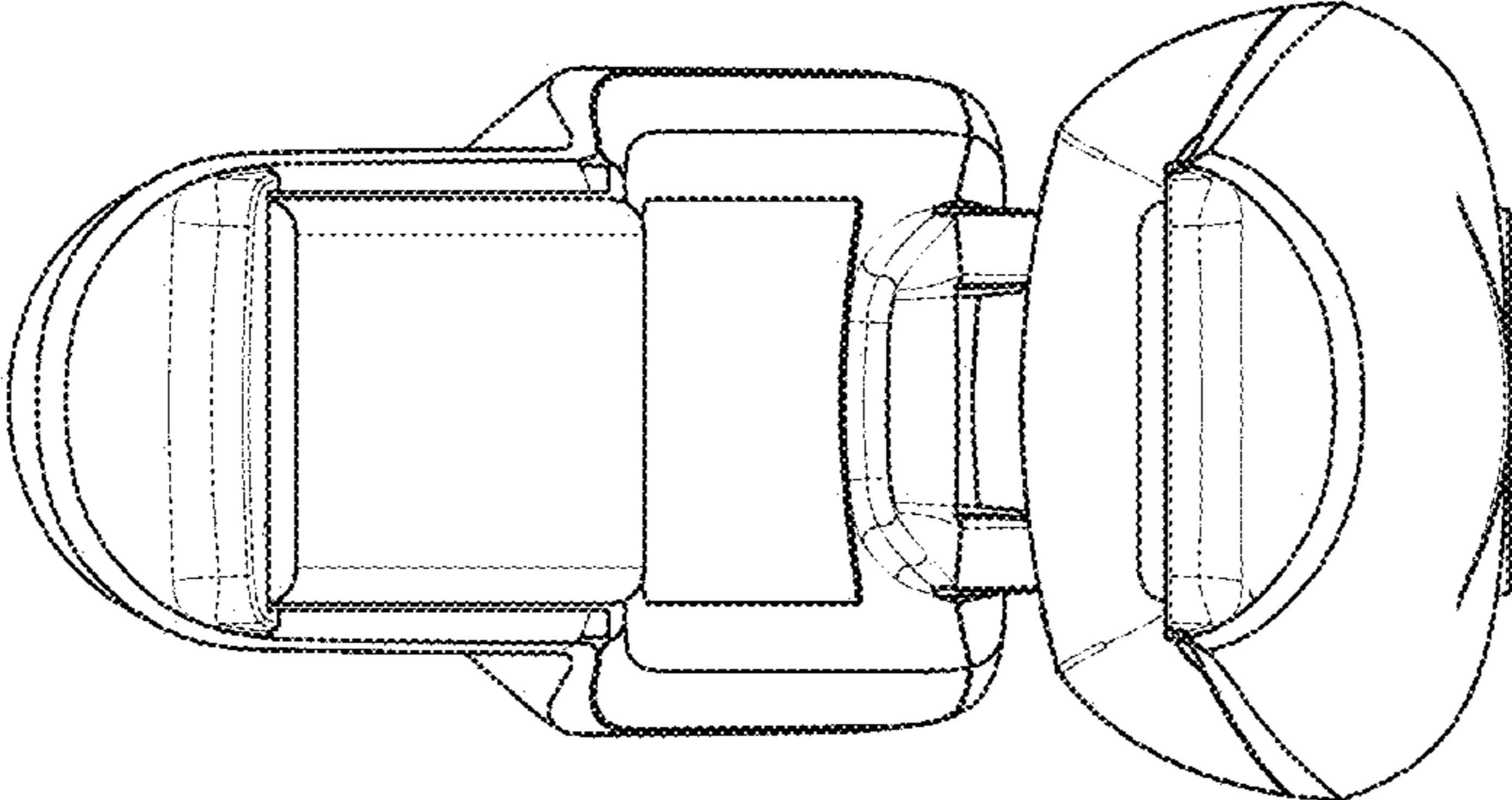


FIG. 13

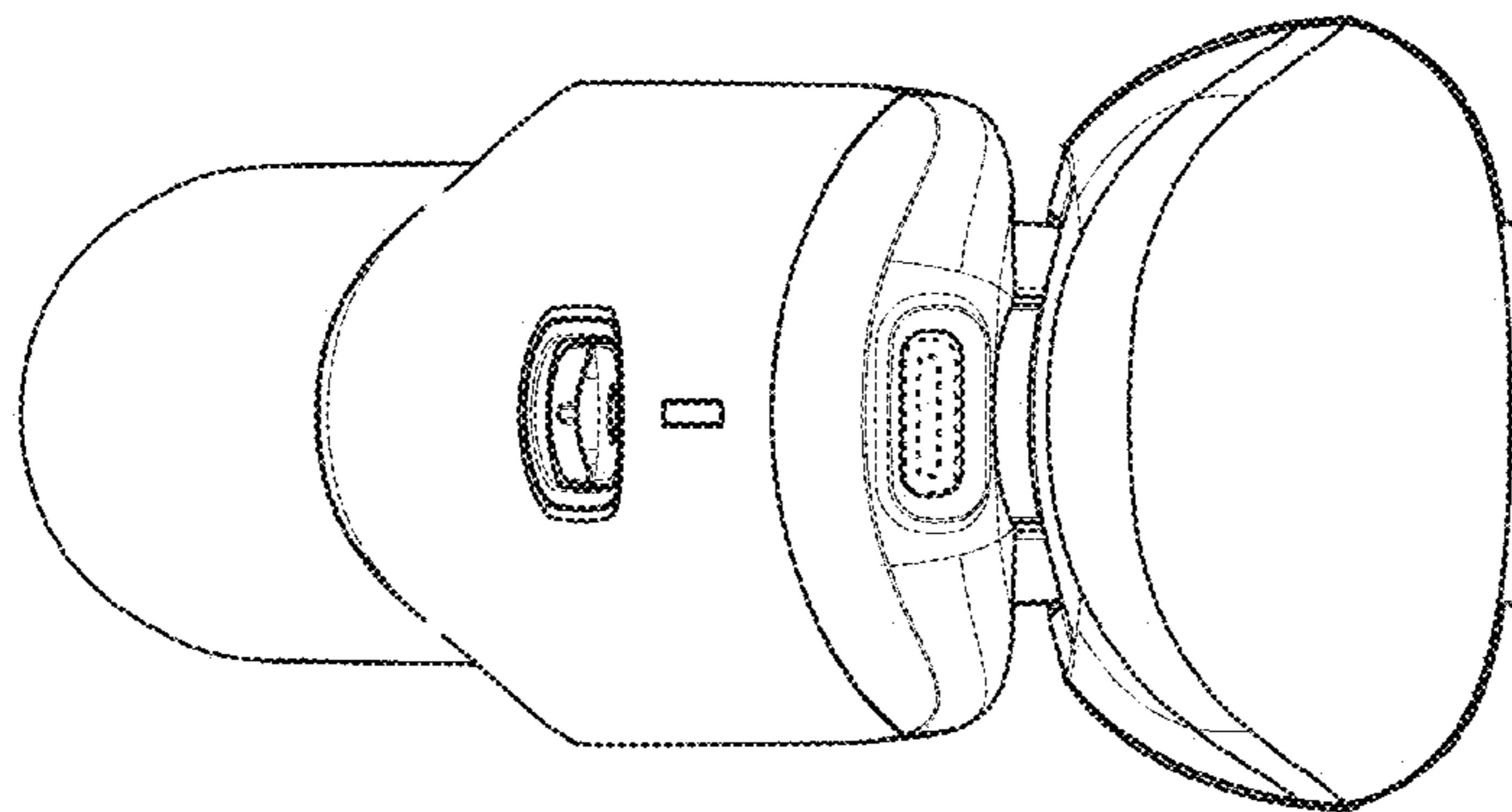


FIG. 14