



US00D973275S

(12) **United States Design Patent**  
**Flynn et al.**

(10) **Patent No.:** **US D973,275 S**

(45) **Date of Patent:** **\*\* Dec. 20, 2022**

- (54) **COMB**
- (71) Applicant: **Dyson Technology Limited**, Wiltshire (GB)
- (72) Inventors: **Andrew Drummond Flynn**, Bristol (GB); **Britta Jessica Stockinger**, Bath (GB); **Christopher Daniel Currer Wilkinson**, Swindon (GB)
- (73) Assignee: **Dyson Technology Limited**, Malmesbury (GB)

- 1,632,238 A \* 6/1927 Lister ..... A45D 24/02  
132/158
- 1,675,754 A \* 7/1928 Grom ..... A45D 24/00  
132/139
- 2,119,939 A \* 6/1938 Braverman ..... A45D 24/02  
132/125
- 2,233,337 A \* 2/1941 Blake ..... A45D 24/02  
132/119
- 2,491,753 A \* 12/1949 Morin ..... A45D 24/20  
132/104
- D162,174 S \* 2/1951 Kahn ..... D28/21
- D162,519 S \* 3/1951 Collins ..... D28/21
- D163,287 S \* 5/1951 Kahn ..... D28/21

(\*\*) Term: **15 Years**

(21) Appl. No.: **29/674,810**

(22) Filed: **Dec. 26, 2018**

(30) **Foreign Application Priority Data**

Jun. 28, 2018 (EM) ..... 005328192-0001

(51) **LOC (13) Cl.** ..... **28-03**

(52) **U.S. Cl.**  
USPC ..... **D28/21**

(58) **Field of Classification Search**  
USPC ..... D28/21, 22, 23, 24, 25, 26, 27, 28, 29,  
D28/30, 31, 32, 33, 34, 35, 74; D4/105,  
D4/106, 109, 110, 111, 112, 117, 128,  
D4/130, 131, 132, 133, 134, 135, 136  
CPC ..... A46B 2200/01; A46B 2200/1046; A46B  
2200/104; A46B 2200/1066; A46B  
2200/20; A46B 2200/30; A46B 2200/10;  
A46B 1/00; A46B 3/00; A46B 5/00;  
A46B 7/00; A46B 9/00; A46B 13/00;  
A46B 15/00; A45D 24/00; A45D 24/007;  
A45D 24/02

See application file for complete search history.

(56) **References Cited**

**U.S. PATENT DOCUMENTS**

- D3,986 S \* 4/1870 Collins ..... D28/21
- D48,972 S \* 5/1916 Harper ..... D28/21

(Continued)

**OTHER PUBLICATIONS**

Detangling comb, announced © 2020 [online], retrieved Jun. 5, 2020, retrieved from internet, <https://www.dyson.com/support/journey/tools/969557-01.html>.\*

(Continued)

*Primary Examiner* — Messina L Smith

(74) *Attorney, Agent, or Firm* — Faegre Drinker Biddle & Reath LLP

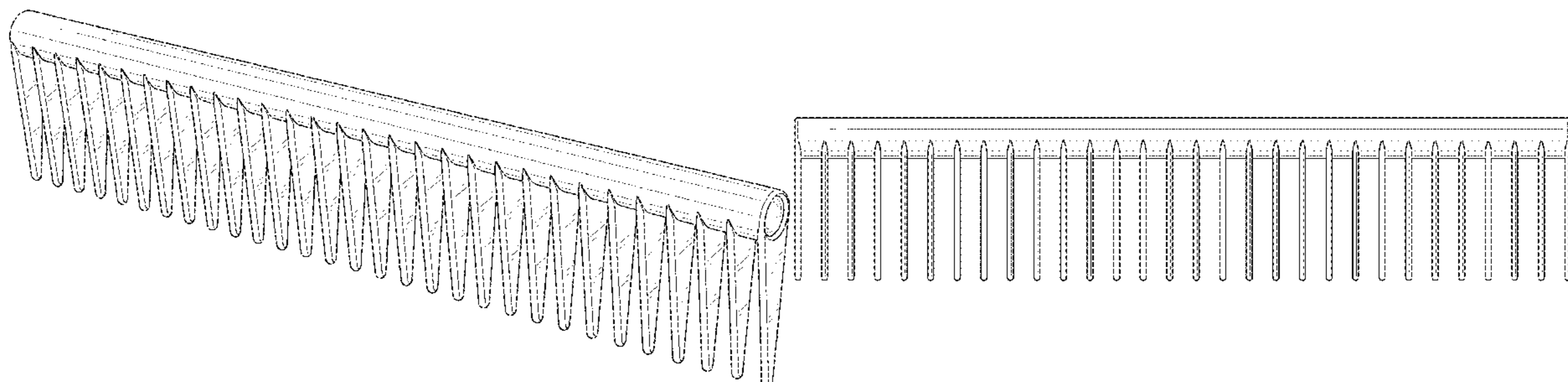
(57) **CLAIM**

We claim the ornamental design for a comb, as shown and described.

**DESCRIPTION**

FIG. 1 is a front perspective view of a comb showing our new design;  
FIG. 2 is a front view thereof;  
FIG. 3 is a rear view thereof;  
FIG. 4 is a side view thereof;  
FIG. 5 is a side view of the opposite side of FIG. 4;  
FIG. 6 is a top view thereof; and,  
FIG. 7 is a bottom view thereof.

**1 Claim, 4 Drawing Sheets**



(56)

**References Cited**

U.S. PATENT DOCUMENTS

2,589,469 A \* 3/1952 Zerbo ..... A45D 24/02  
 132/219  
 2,655,925 A \* 10/1953 Ulvad ..... A45D 24/02  
 132/137  
 2,792,007 A \* 5/1957 Parmer ..... A45D 24/02  
 132/162  
 3,060,941 A \* 10/1962 Harloff ..... A45D 24/02  
 132/219  
 3,084,700 A \* 4/1963 Fischer ..... A45D 24/00  
 439/97  
 D282,291 S \* 1/1986 Harvey ..... D28/21  
 D367,728 S \* 3/1996 Bozak ..... D28/21  
 D428,525 S \* 7/2000 Gazzo ..... D28/7  
 D617,049 S \* 6/2010 Plackis ..... D28/30  
 D671,262 S \* 11/2012 Lavoie ..... D28/29  
 D719,295 S \* 12/2014 Hsu ..... A45D 24/00  
 D28/21  
 D782,737 S \* 3/2017 Strom ..... D28/21  
 D796,739 S \* 9/2017 Burton ..... D28/21

D796,741 S \* 9/2017 Burton ..... D28/21  
 D823,003 S \* 7/2018 Lafortune ..... D4/117  
 D834,250 S \* 11/2018 Condon ..... D28/21  
 D838,903 S \* 1/2019 McCambridge ..... D28/30  
 D850,719 S \* 6/2019 Torres ..... D28/25  
 D871,671 S \* 12/2019 Garcia ..... D28/21  
 D876,012 S \* 2/2020 Ko ..... D28/21  
 D878,676 S \* 3/2020 Hsu ..... D28/21  
 2013/0327349 A1\* 12/2013 Tolman ..... A45D 8/34  
 132/200

OTHER PUBLICATIONS

Dyson Detangler Comb demo and review, announced Sep. 5, 2019 [online], retrieved Jun. 5, 2020, retrieved from internet, <https://www.youtube.com/watch?v=zl9aGoHxJkl>.  
 Dyson Designed Detangling Comb, announced Dec. 27, 2019 [online], retrieved Jun. 5, 2020, retrieved from internet, <https://www.amazon.com/Dyson-Detangling-Comb-Paddle-Brush/dp/B07PDCWSPM>.

\* cited by examiner

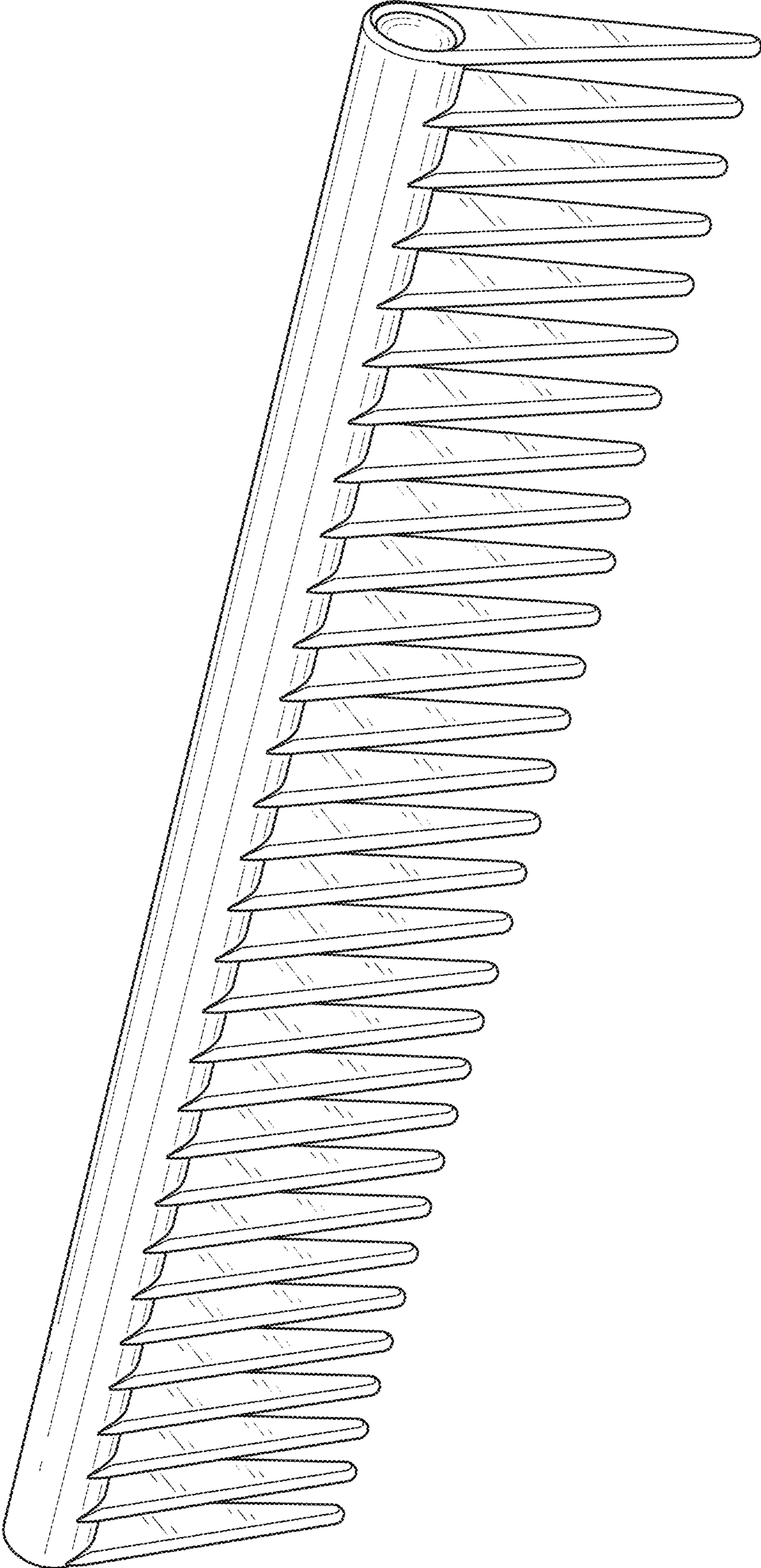


FIG. 1

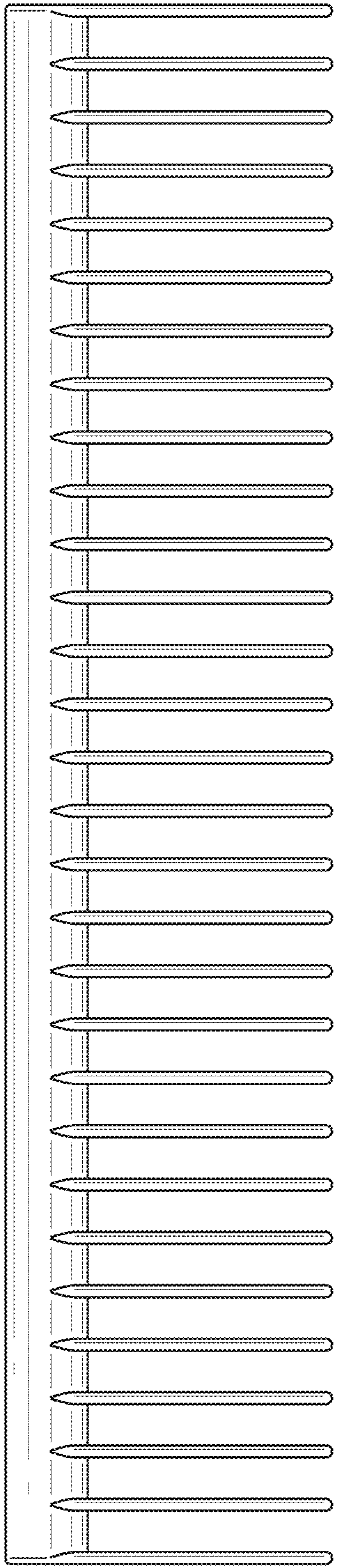


FIG. 2

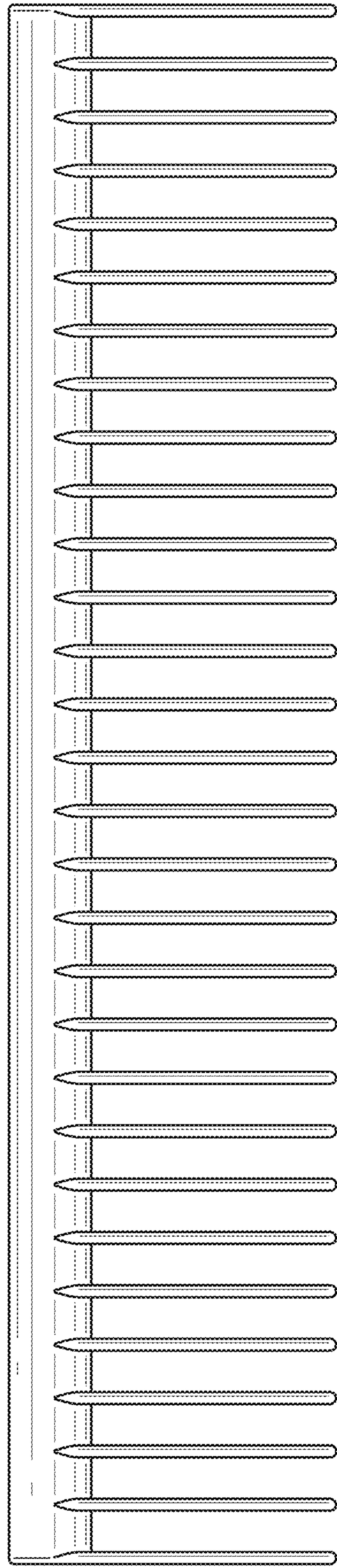


FIG. 3

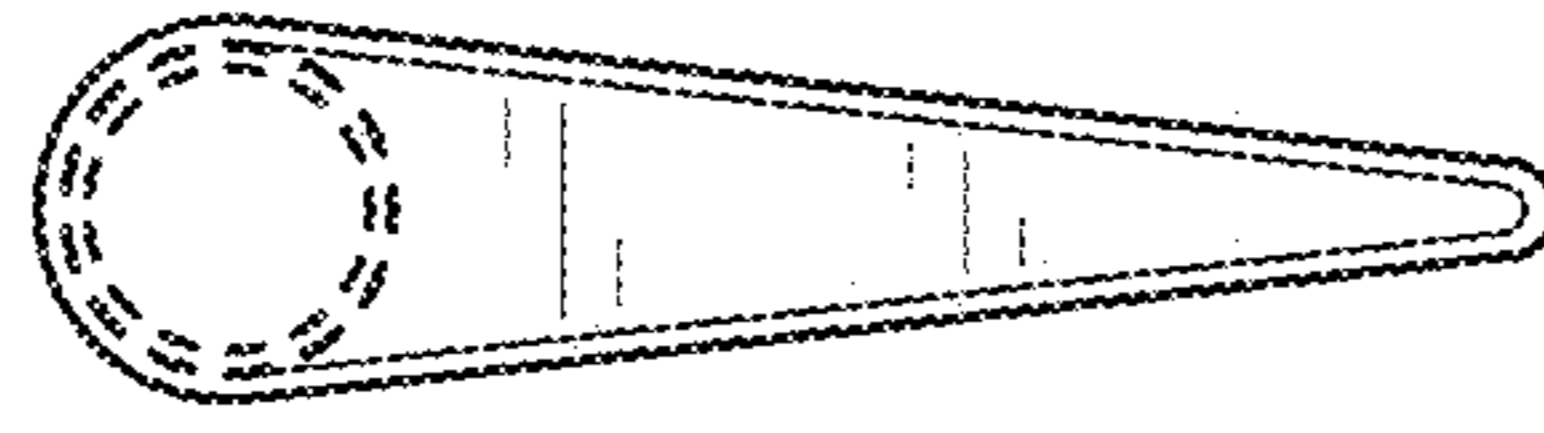


FIG. 5

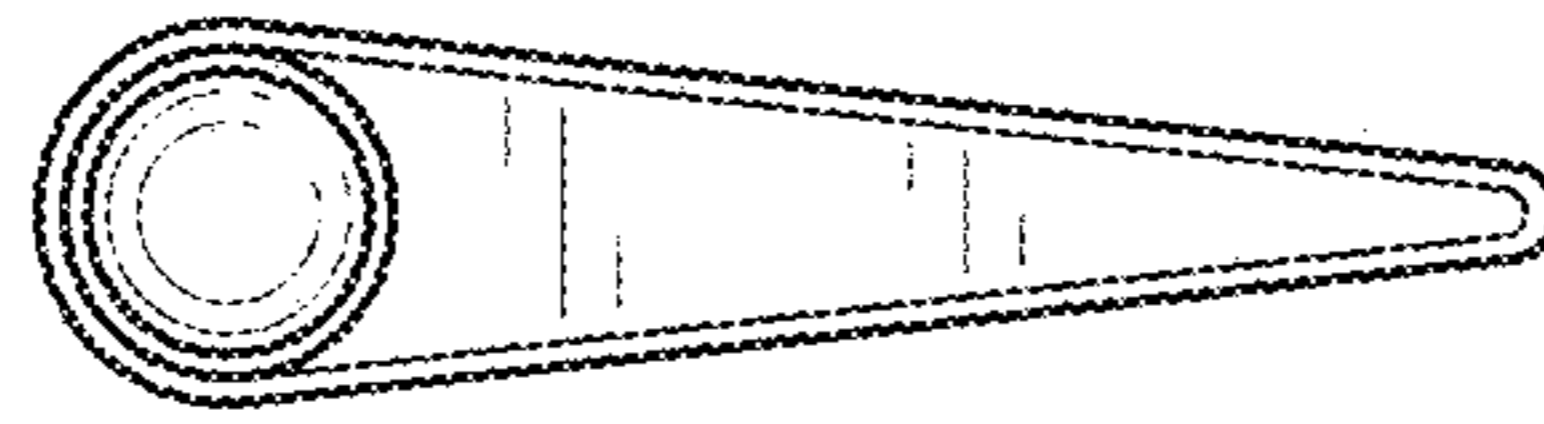


FIG. 4



FIG. 6

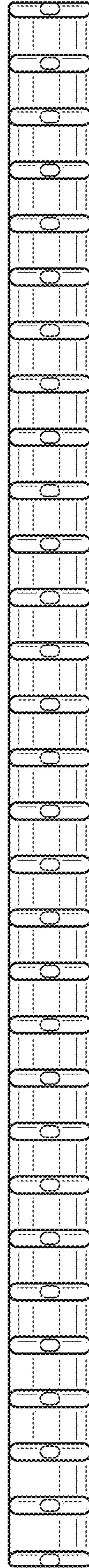


FIG. 7