



US00D973274S

(12) **United States Design Patent** (10) **Patent No.:** **US D973,274 S**
Kirkbride et al. (45) **Date of Patent:** **** Dec. 20, 2022**

(54) **ATTACHMENT FOR HAIR STYLING AND HAIR CARE APPARATUS**

D259,665 S 6/1981 Cousins
D277,417 S 1/1985 Wistrand
D294,743 S 3/1988 Seki et al.

(Continued)

(71) Applicant: **Dyson Technology Limited**, Wiltshire (GB)

FOREIGN PATENT DOCUMENTS

(72) Inventors: **Hannah Lisa Kirkbride**, Aberdeen (GB); **Peter Dabbs**, Swindon (GB); **Andrew Drummond Flynn**, Bristol (GB)

CA 178454 * 12/2019
CA 178458 * 12/2019

(Continued)

(73) Assignee: **Dyson Technology Limited**, Wiltshire (GB)

OTHER PUBLICATIONS

(**) Term: **15 Years**

Dyson Airwrap Styler, announced 2018 [online], [site visited Apr. 21, 2022]. Available from internet, URL: <<https://www.sephora.com/product/dyson-airwrap-styler-P437979>> (Year: 2018).*

(Continued)

(21) Appl. No.: **29/714,236**

Primary Examiner — Cynthia Ramirez

(22) Filed: **Nov. 21, 2019**

Assistant Examiner — Xavier Marti-Santos

(30) **Foreign Application Priority Data**

(74) *Attorney, Agent, or Firm* — Faegre Drinker Biddle & Reath LLP

May 22, 2019 (EM) 006500575-0003

(51) **LOC (13) Cl.** **28-03**

(57) **CLAIM**

(52) **U.S. Cl.**
USPC **D28/18**

We claim the ornamental design for an attachment for hair styling and hair care apparatus, as shown and described.

(58) **Field of Classification Search**

DESCRIPTION

USPC D28/18, 10, 12, 15; D32/31, 21, 25
CPC ... A45D 1/04; A45D 4/00; A45D 4/04; A45D 4/08; A45D 4/10; A45D 4/12; A45D 6/00; A45D 6/02; A45D 7/00; A45D 7/02; A45D 20/00; A45D 20/10; A45D 20/12; A45D 20/16; A61Q 5/04
See application file for complete search history.

FIG. 1 is a rear perspective view of an attachment for hair styling and hair care apparatus showing our new design; FIG. 2 is a first side view thereof; FIG. 3 is a second side view thereof; FIG. 4 is a third side view thereof; FIG. 5 is a fourth side view thereof; FIG. 6 is a front view thereof; and, FIG. 7 is a rear view thereof.

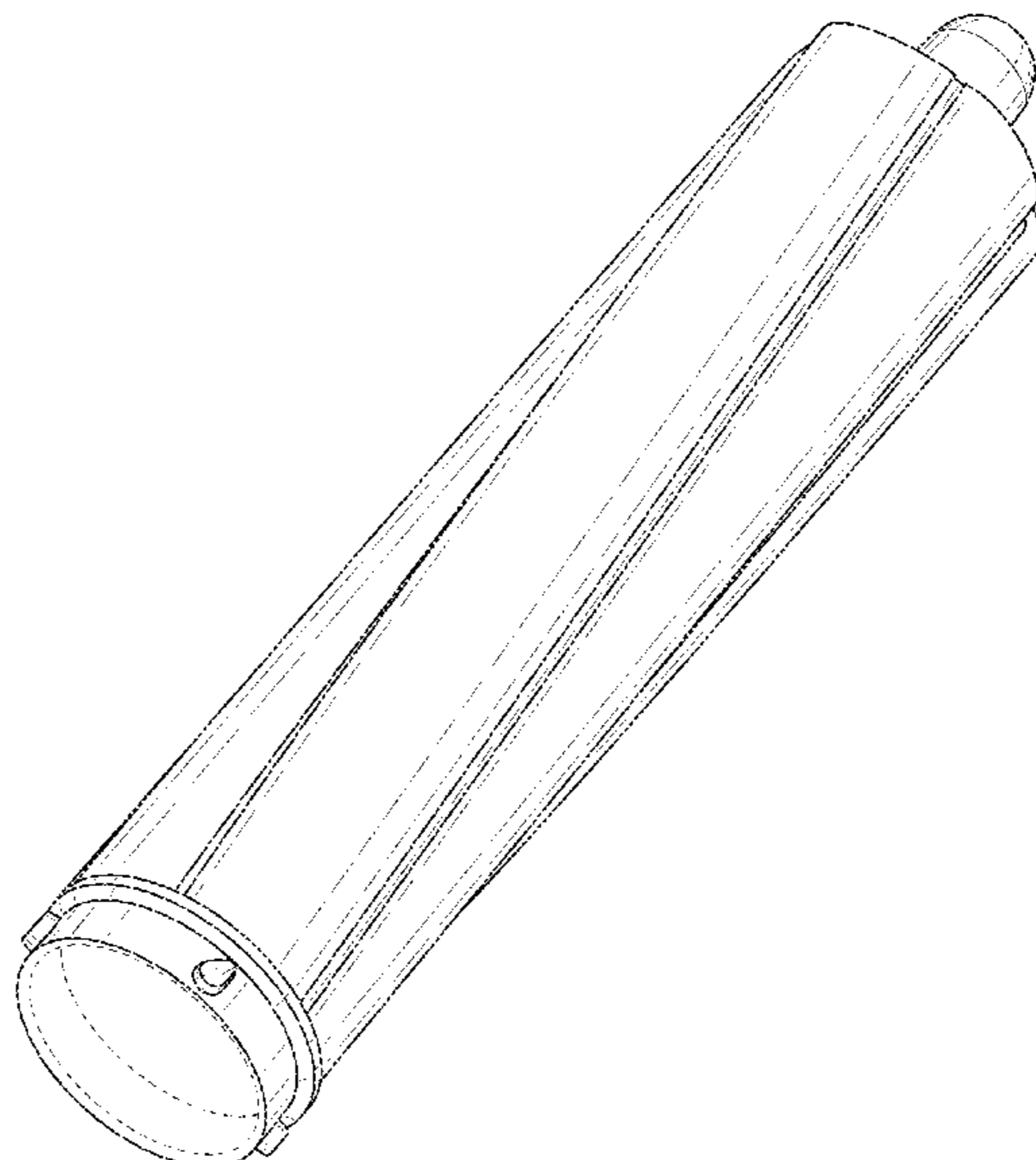
The broken lines shown in the drawings illustrate portions of an attachment for hair styling and hair care apparatus that form no part of the claimed design.

(56) **References Cited**

U.S. PATENT DOCUMENTS

D256,280 S 8/1980 Haase
D256,846 S 9/1980 Haase
4,232,454 A 11/1980 Springer

1 Claim, 7 Drawing Sheets



(56)

References Cited

FOREIGN PATENT DOCUMENTS

U.S. PATENT DOCUMENTS

D322,892 S 1/1992 Kwok-Fai Au
 5,157,757 A 10/1992 McDougall
 D386,816 S 11/1997 Seifert
 D398,073 S 9/1998 Kip
 D398,074 S 9/1998 Nosenchuck
 D409,796 S 5/1999 Moreno
 D425,663 S 5/2000 Greubel et al.
 D439,012 S 3/2001 McCurrach
 D439,701 S 3/2001 Engelen
 D448,115 S 9/2001 White
 D457,730 S 5/2002 McCurrach
 6,460,272 B2 10/2002 Cheng
 D471,332 S * 3/2003 Haegermarck D32/31
 D476,443 S 6/2003 Ohta et al.
 6,662,811 B2 12/2003 Mugge et al.
 D506,030 S 6/2005 Lai
 D510,192 S 10/2005 Kampel et al.
 6,962,159 B1 11/2005 Adam
 7,096,598 B1 8/2006 Myatt
 D557,017 S 12/2007 Kampel et al.
 D578,260 S * 10/2008 Fellingner D32/25
 D609,857 S 2/2010 Schmitz
 D676,600 S 2/2013 Thrasher, Jr.
 D700,018 S 2/2014 Thrash
 D716,510 S * 10/2014 Gilbert, Jr. D32/31
 D747,052 S * 1/2016 Therrien D32/31
 D754,313 S 4/2016 Ellis et al.
 D775,418 S 12/2016 Stephens et al.
 D775,419 S 12/2016 Stephens et al.
 D776,345 S 1/2017 Tang
 D782,731 S 3/2017 Smith et al.
 D782,732 S 3/2017 Smith et al.
 D782,733 S 3/2017 Smith et al.
 D782,734 S 3/2017 Sutter et al.
 D790,785 S 6/2017 Courtney et al.
 D791,407 S 7/2017 Smith et al.
 D798,502 S 9/2017 Smith et al.
 D800,454 S 10/2017 Mathieu
 9,808,067 B2 11/2017 Sutter et al.
 D810,927 S 2/2018 Ross et al.
 D811,009 S 2/2018 Smith et al.
 D814,130 S 3/2018 Taub
 D815,837 S 4/2018 Zhou
 D817,643 S 5/2018 Valle et al.
 9,986,810 B2 6/2018 Bobillier et al.
 D823,004 S 7/2018 Kuo
 D823,005 S 7/2018 Kuo
 10,021,951 B2 7/2018 Bobillier et al.
 10,028,574 B2 7/2018 Rennette
 D848,065 S * 5/2019 Heffer D28/18
 D848,067 S * 5/2019 Heffer D28/18
 D848,068 S * 5/2019 Heffer D28/18
 D853,642 S * 7/2019 Coulton D28/18
 D855,252 S * 7/2019 Coulton D28/18
 D936,367 S * 11/2021 Goodsir D4/133
 D961,154 S * 8/2022 Kirkbride D28/18
 D961,155 S * 8/2022 Kirkbride D28/18
 2014/0083446 A1 3/2014 Julemont et al.
 2016/0166033 A1 6/2016 Kerr et al.
 2016/0166035 A1 6/2016 Douglas et al.
 2016/0206075 A1 7/2016 Stephens et al.
 2016/0206076 A1 7/2016 Stephens et al.
 2016/0206077 A1 7/2016 Stephens et al.
 2016/0338464 A1 11/2016 Wilkinson et al.
 2016/0338465 A1 11/2016 Wilkinson et al.
 2017/0112256 A1 4/2017 Bobillier et al.
 2017/0164709 A1 6/2017 Laveni et al.
 2017/0273422 A1 9/2017 Heffer et al.
 2017/0273425 A1 9/2017 Stephens et al.
 2017/0273428 A1 9/2017 Nicolson et al.
 2017/0273429 A1 9/2017 Nicolson et al.
 2017/0273431 A1 9/2017 Courtney et al.
 2018/0055181 A1 3/2018 Spark et al.
 2018/0055184 A1 3/2018 McVeigh et al.

CN 306029480 * 9/2020
 CN 306192791 * 11/2020
 EM 001066666-0003 1/2009
 GB 9006500575-0002 * 5/2019
 IL 61261 * 11/2019
 JP D678382 S 5/1986
 JP S63-30902 U 2/1988
 JP S63-30903 U 2/1988
 JP D900961 S 6/1994
 JP D1001665 S 1/1998
 JP D1001666 S 1/1998
 JP D1617128 S 11/2018
 JP D1617133 S 11/2018
 JP D1617384 S 11/2018
 JP D1617385 S 11/2018
 JP D1617386 S 11/2018
 JP D1617387 S 11/2018
 JP D1617388 S 11/2018
 JP D1617389 S 11/2018
 JP D1617390 S 11/2018
 JP D1617403 S 11/2018
 JP D1617404 S 11/2018
 JP D1617405 S 11/2018
 JP D1617406 S 11/2018
 JP D1617407 S 11/2018
 JP D1617408 S 11/2018
 JP D1617409 S 11/2018
 JP D1705573 * 1/2022
 KR D30-0976071 S 10/2018
 KR D30-0976072 S 10/2018
 KR D30-0976073 S 10/2018
 KR D30-0976074 S 10/2018

OTHER PUBLICATIONS

“Brushing 1000 Mod. 8090,” Saison Design 91/92, Nov. 28, 1991; 2 pages.
 “Brushing 1000 Plus, Mod. 8091,” 95/96 WIKDESIGN, May 23, 1995; 1 page.
 “Brushing 1000, Mod. 8090,” 91/92 W.I.K. Design, Mar. 2, 1992; 2 pages.
 Beauty and Health Catalogue 2003 Spring-Summer, Apr. 1, 2003; 2 pages.
 Coulton et al, U.S. Office Action dated Sep. 14, 2018, directed to U.S. Appl. No. 29/627,694; 9 pages.
 Coulton et al., U.S. Office Action dated Aug. 31, 2018, directed to U.S. Appl. No. 29/627,665; 8 pages.
 Coulton et al., U.S. Office Action dated Aug. 8, 2018, directed to U.S. Appl. No. 29/627,693; 9 pages.
 Coulton et al., U.S. Office Action dated Oct. 30, 2018, directed to U.S. Appl. No. 29/627,739; 7 pages.
 Coulton et al., U.S. Office Action dated Oct. 30, 2018, directed to U.S. Appl. No. 29/627,749; 7 pages.
 Coulton et al., U.S. Office Action dated Oct. 30, 2018, directed to U.S. Appl. No. 29/627,752; 7 pages.
 Coulton et al., U.S. Office Action dated Oct. 30, 2018, directed to U.S. Appl. No. 29/627,754; 7 pages.
 Coulton et al., U.S. Office Action dated Oct. 30, 2018, directed to U.S. Appl. No. 29/627,773; 8 pages.
 Coulton et al., U.S. Office Action dated Sep. 10, 2018, directed to U.S. Appl. No. 29/627,690; 7 pages.
 Coulton et al., U.S. Office Action dated Sep. 14, 2018, directed to U.S. Appl. No. 29/627,707; 9 pages.
 Heffer et al., U.S. Office Action dated Aug. 16, 2018, directed to U.S. Appl. No. 29/627,688; 8 pages.
 Heffer et al., U.S. Office Action dated Aug. 16, 2018, directed to U.S. Appl. No. 29/627,712; 8 pages.
 Heffer et al., U.S. Office Action dated Aug. 16, 2018, directed to U.S. Appl. No. 29/627,713; 8 pages.
 Heffer et al., U.S. Office Action dated Aug. 16, 2018, directed to U.S. Appl. No. 29/627,730; 8 pages.
 KRUPS Produkt Programm 1993, Mar. 3, 1993; 2 pages.
 Mono Magazine, Jul. 2, 1989; 1 page.

(56)

References Cited

OTHER PUBLICATIONS

Tappenden et al., U.S. Office Action dated Oct. 17, 2018, directed to U.S. Appl. No. 29/627,727; 6 pages.
Tappenden et al., U.S. Office Action dated Aug. 8, 2018, directed to U.S. Appl. No. 29/627,660; 7 pages.
Tappenden et al., U.S. Office Action dated Aug. 8, 2018, directed to U.S. Appl. No. 29/627,664; 7 pages.
Tappenden et al., U.S. Office Action dated Aug. 8, 2018, directed to U.S. Appl. No. 29/627,668; 7 pages.
Tappenden et al., U.S. Office Action dated Aug. 8, 2018, directed to U.S. Appl. No. 29/627,671; 7 pages.
Tappenden et al., U.S. Office Action dated Aug. 8, 2018, directed to U.S. Appl. No. 29/627,673; 7 pages.
Tappenden et al., U.S. Office Action dated Aug. 8, 2018, directed to U.S. Appl. No. 29/627,677; 7 pages.
Tappenden et al., U.S. Office Action dated Aug. 8, 2018, directed to U.S. Appl. No. 29/627,678; 7 pages.
Tappenden et al., U.S. Office Action dated Aug. 8, 2018, directed to U.S. Appl. No. 29/627,714; 7 pages.
Tappenden et al., U.S. Office Action dated Nov. 14, 2018, directed to U.S. Appl. No. 29/627,741; 7 pages.
Tappenden et al., U.S. Office Action dated Nov. 14, 2018, directed to U.S. Appl. No. 29/627,742; 7 pages.
Tappenden et al., U.S. Office Action dated Nov. 14, 2018, directed to U.S. Appl. No. 29/627,743; 7 pages.
Tappenden et al., U.S. Office Action dated Nov. 14, 2018, directed to U.S. Appl. No. 29/627,744; 7 pages.
Tappenden et al., U.S. Office Action dated Oct. 1, 2018, directed to U.S. Appl. No. 29/627,717; 6 pages.

Tappenden et al., U.S. Office Action dated Oct. 17, 2018, directed to U.S. Appl. No. 29/627,723; 6 pages.
Tappenden et al., U.S. Office Action dated Oct. 17, 2018, directed to U.S. Appl. No. 29/627,731; 6 pages.
Tappenden et al., U.S. Office Action dated Oct. 17, 2018, directed to U.S. Appl. No. 29/627,733; 6 pages.
Tappenden et al., U.S. Office Action dated Oct. 17, 2018, directed to U.S. Appl. No. 29/627,734; 6 pages.
Tappenden et al., U.S. Office Action dated Oct. 17, 2018, directed to U.S. Appl. No. 29/627,735; 6 pages.
Tappenden et al., U.S. Office Action dated Sep. 27, 2018, directed to U.S. Appl. No. 29/627,700; 6 pages.
Tappenden et al., U.S. Office Action dated Sep. 27, 2018, directed to U.S. Appl. No. 29/627,702; 6 pages.
Tappenden et al., U.S. Office Action dated Sep. 27, 2018, directed to U.S. Appl. No. 29/627,705; 6 pages.
Tappenden et al., U.S. Office Action dated Sep. 27, 2018, directed to U.S. Appl. No. 29/627,706; 6 pages.
Tappenden et al., U.S. Office Action dated Sep. 27, 2018, directed to U.S. Appl. No. 29/627,710; 6 pages.
Tappenden et al., U.S. Office Action dated Sep. 27, 2018, directed to U.S. Appl. No. 29/627,724; 6 pages.
Tappenden et al., U.S. Office Action dated Sep. 27, 2018, directed to U.S. Appl. No. 29/627,725; 6 pages.
Tappenden et al., U.S. Office Action dated Sep. 27, 2018, directed to U.S. Appl. No. 29/627,726; 6 pages.
Tappenden et al., U.S. Office Action dated Sep. 28, 2018, directed to U.S. Appl. No. 29/627,719; 6 pages.
Office Action dated Jul. 29, 2020, directed to KR Application No. 30-2019-0055787(M003); 19 pages.

* cited by examiner

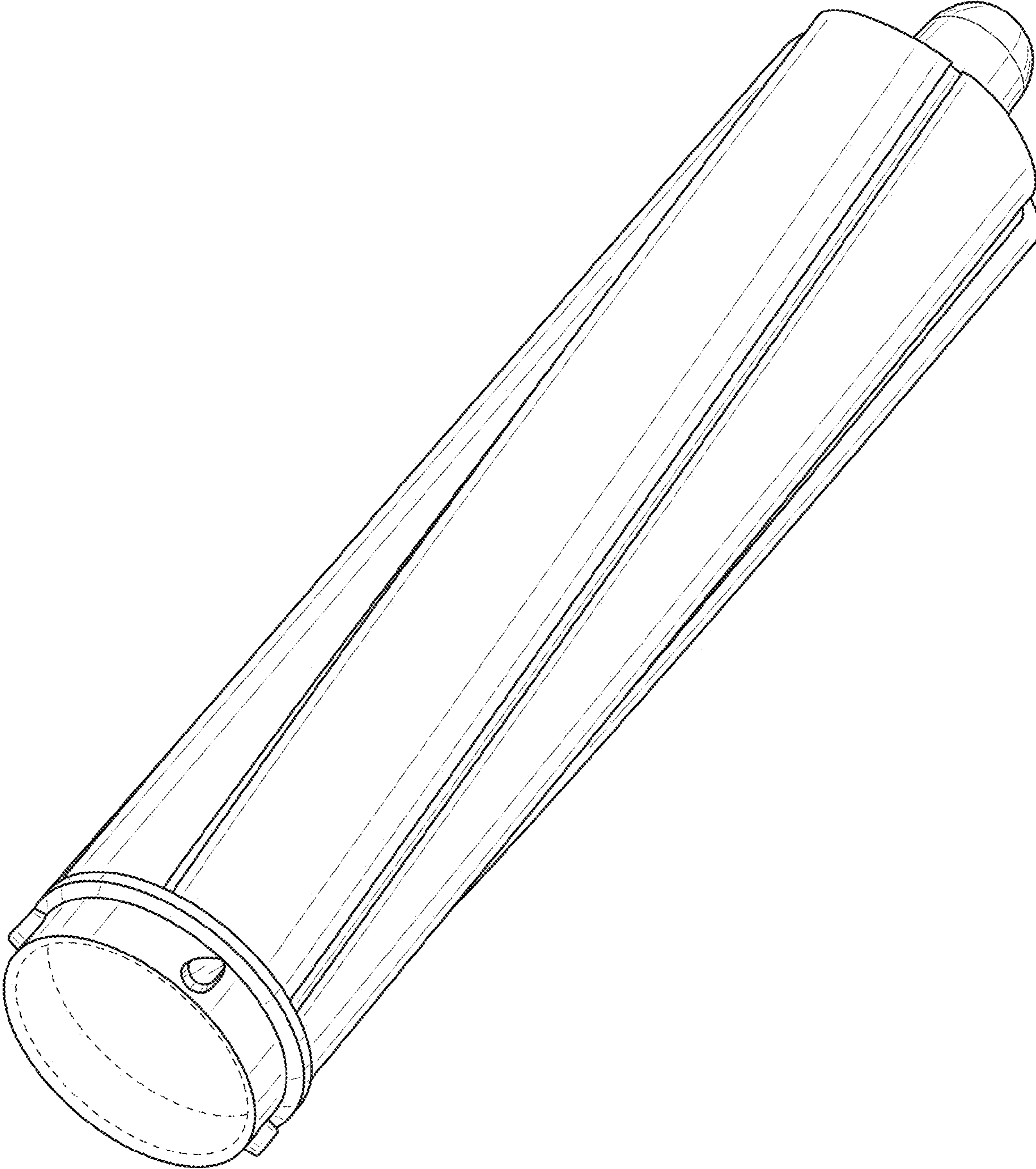


FIG. 1

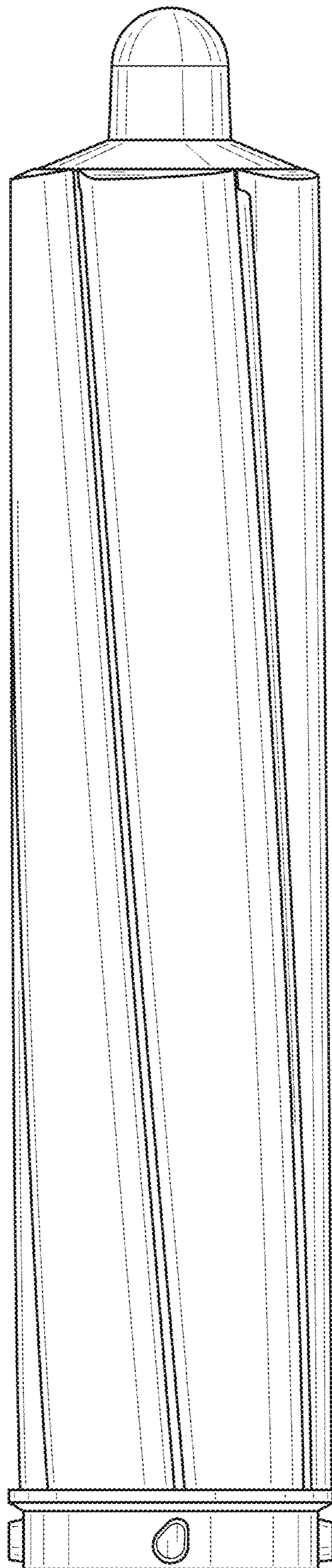


FIG. 2

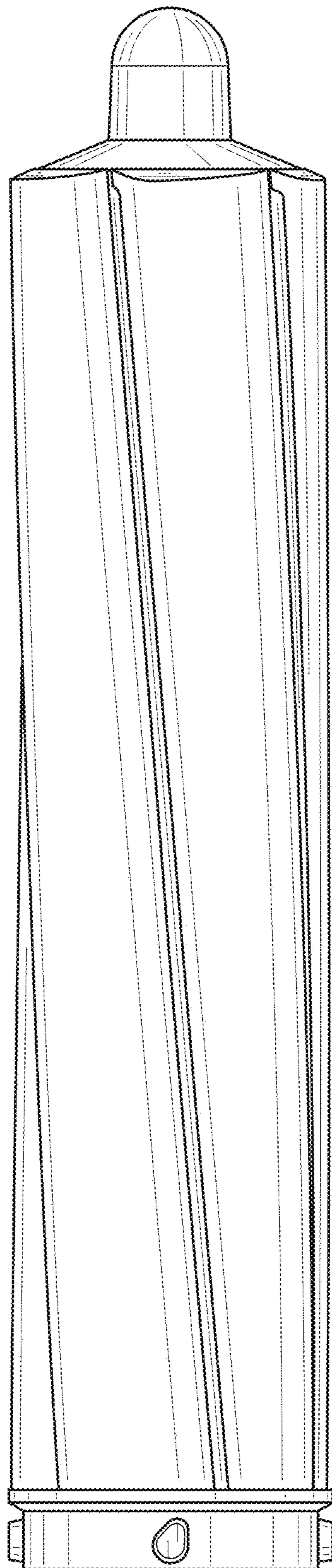


FIG. 3

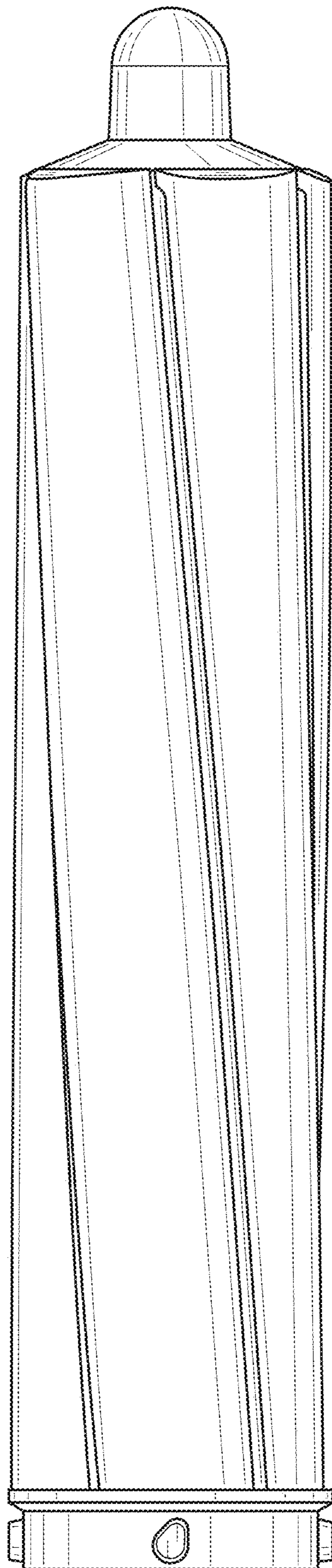


FIG. 4

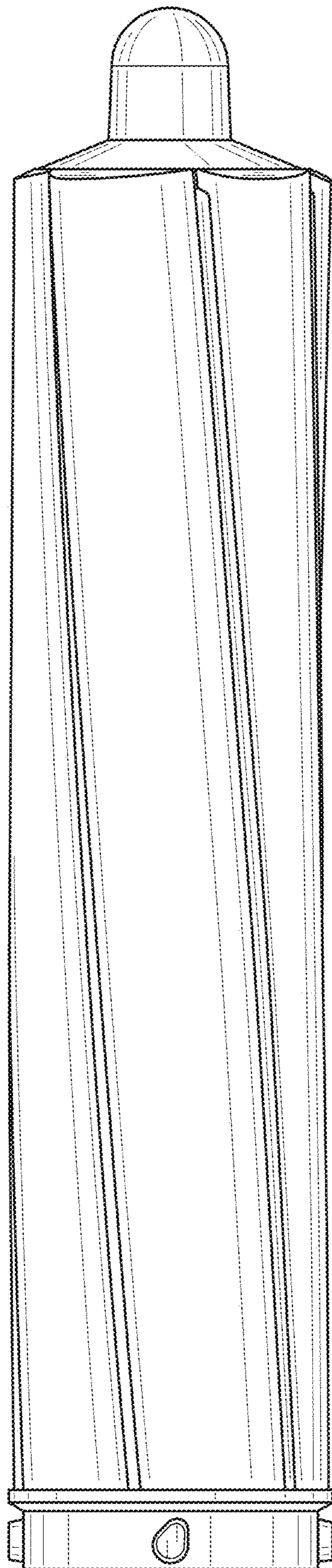


FIG. 5

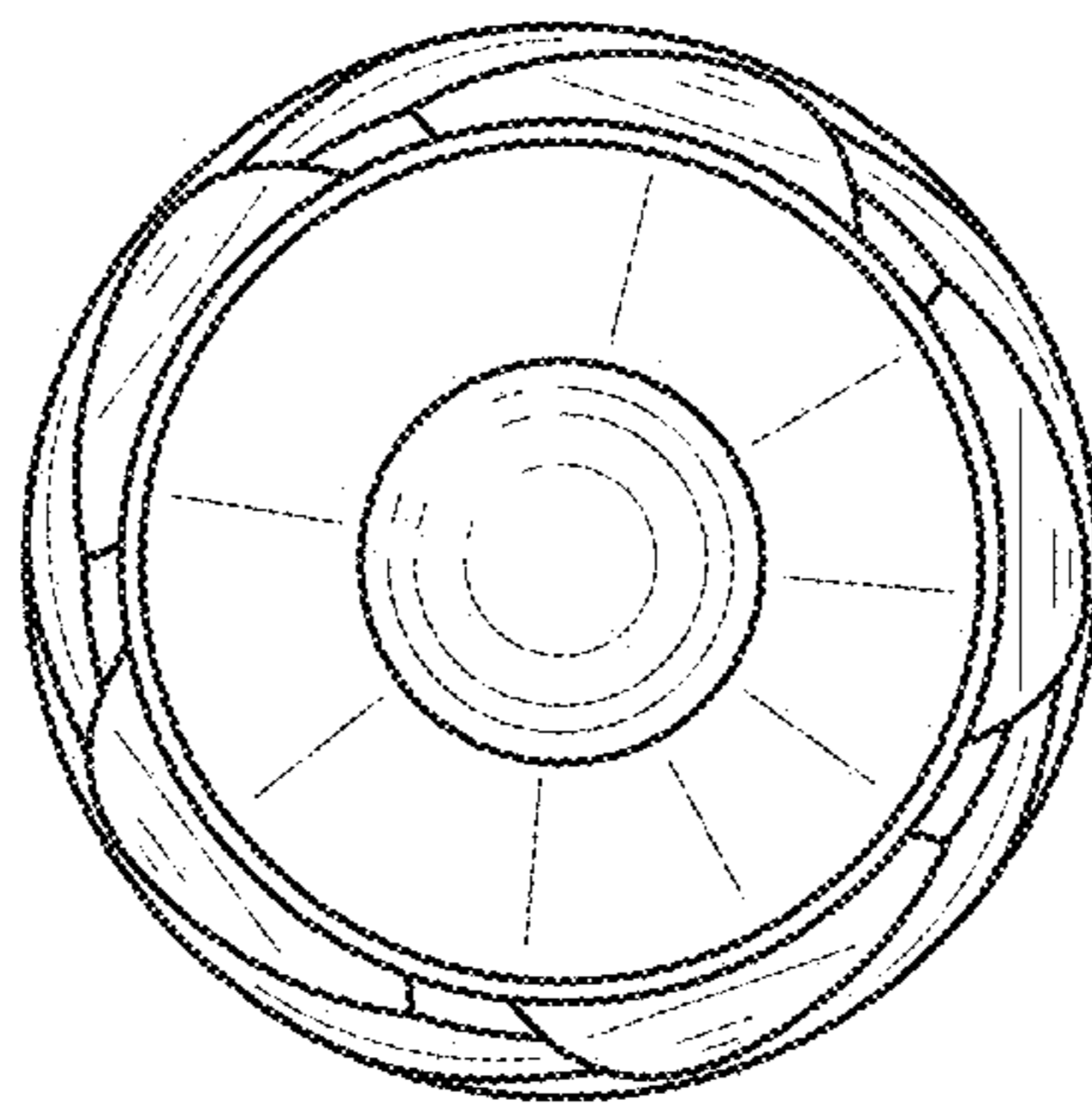


FIG. 6

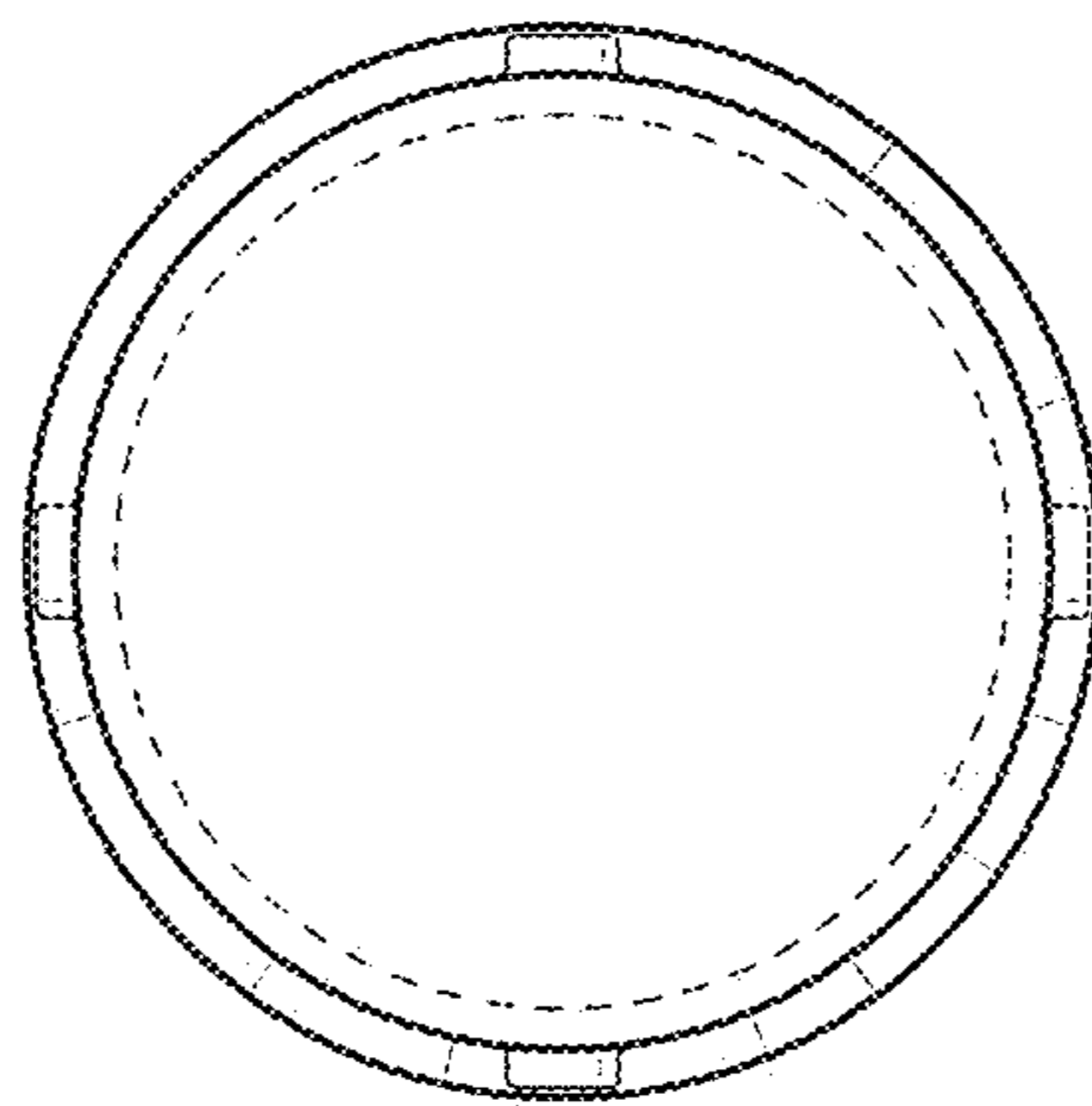


FIG. 7