

US00D973272S

(12) **United States Design Patent**  
**Chen**

(10) **Patent No.:** **US D973,272 S**

(45) **Date of Patent:** **\*\* Dec. 20, 2022**

(54) **HAIR DRYER**

(71) Applicant: **Liangshu Chen**, Shenzhen (CN)

(72) Inventor: **Liangshu Chen**, Shenzhen (CN)

(\*\*) Term: **15 Years**

(21) Appl. No.: **29/817,488**

(22) Filed: **Dec. 1, 2021**

(51) **LOC (13) Cl.** ..... **28-03**

(52) **U.S. Cl.**  
USPC ..... **D28/13**

(58) **Field of Classification Search**  
USPC ..... D28/12-19; D8/29.1  
CPC ..... A45D 20/00; A45D 20/04; A45D 20/08;  
A45D 20/10; A45D 20/12; A45D  
2020/128  
See application file for complete search history.

(56) **References Cited**

**U.S. PATENT DOCUMENTS**

D270,380 S *	8/1983	Armstrong	.....	D28/13
D299,874 S *	2/1989	Yamagami	.....	D28/16
D715,995 S *	10/2014	Dyson	.....	A45D 20/12
				D28/13
D716,492 S *	10/2014	Dyson	.....	A45D 20/12
				D28/13
D898,281 S *	10/2020	Yang	.....	D28/13
D912,314 S *	3/2021	Shin	.....	D28/13
D912,317 S *	3/2021	Park	.....	D28/13
D919,175 S *	5/2021	Yu	.....	D28/13
D925,825 S *	7/2021	Lo	.....	D28/13

D926,370 S *	7/2021	Sun	.....	D28/13
D927,064 S *	8/2021	Shin	.....	D28/18
D933,292 S *	10/2021	Yang	.....	D28/13
D934,496 S *	10/2021	Huang	.....	D28/13
D934,498 S	10/2021	Hillebrecht		
D935,094 S	11/2021	Zhou		
D952,248 S *	5/2022	Lei	.....	D28/13
D952,940 S *	5/2022	Mo	.....	D28/13

\* cited by examiner

*Primary Examiner* — Zenia I Bennett

(74) *Attorney, Agent, or Firm* — ScienBiziP, P.C.

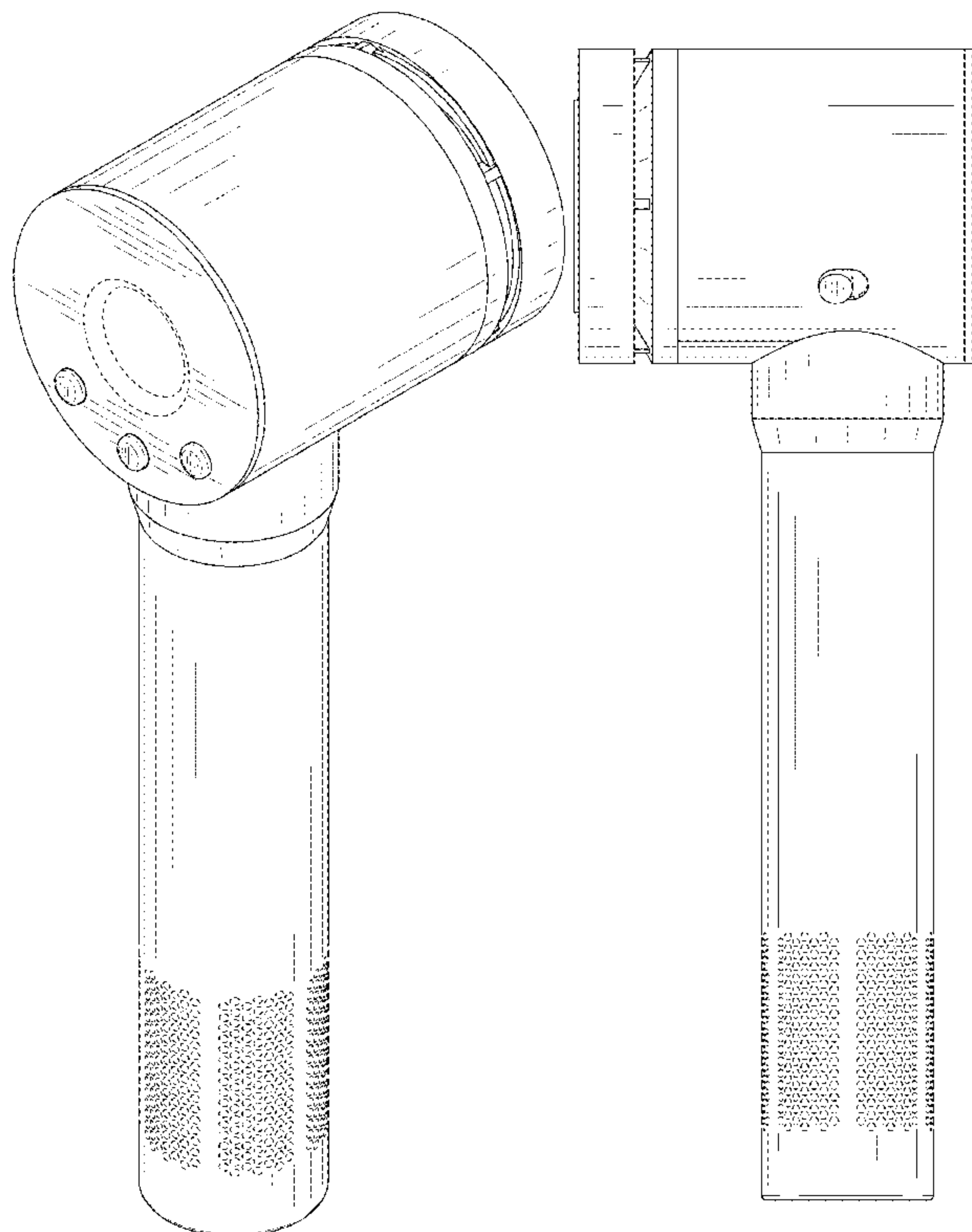
(57) **CLAIM**

The ornamental design for a hair dryer, as shown and described.

**DESCRIPTION**

FIG. 1 is a front, right, and top perspective view of a hair dryer, showing my design.  
 FIG. 2 is a rear, left, and bottom perspective view thereof.  
 FIG. 3 is a front elevation view thereof.  
 FIG. 4 is a rear elevation view thereof.  
 FIG. 5 is a left side elevation view thereof.  
 FIG. 6 is a right side elevation view thereof.  
 FIG. 7 is a top plan view thereof.  
 FIG. 8 is a bottom plan view thereof; and,  
 FIG. 9 is a partial enlarged view of an area labeled 9 in FIG. 1 comprising an air outlet.  
 The broken lines shown in the drawings are included for the purpose of illustrating portions of the hair dryer that form no part of the claimed design.

**1 Claim, 9 Drawing Sheets**



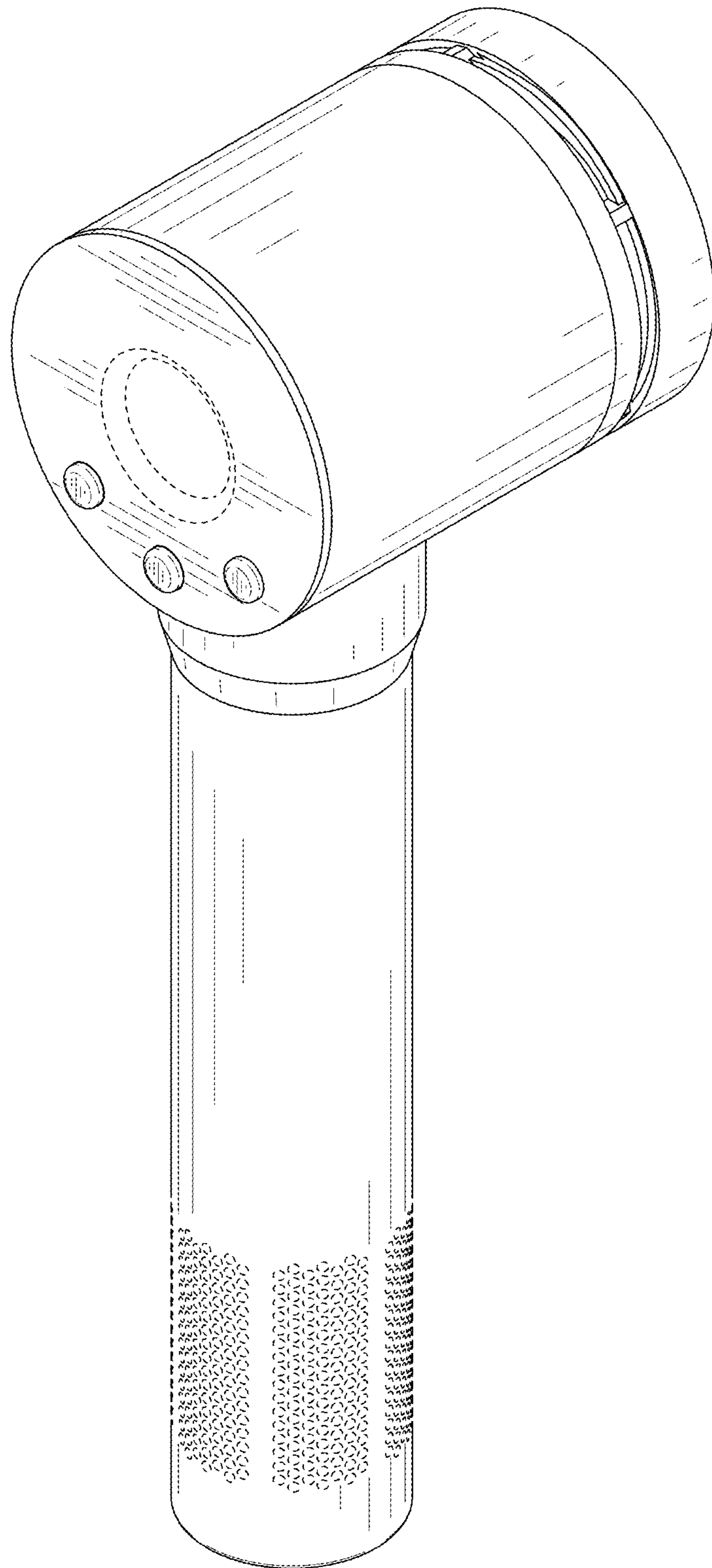


FIG. 1

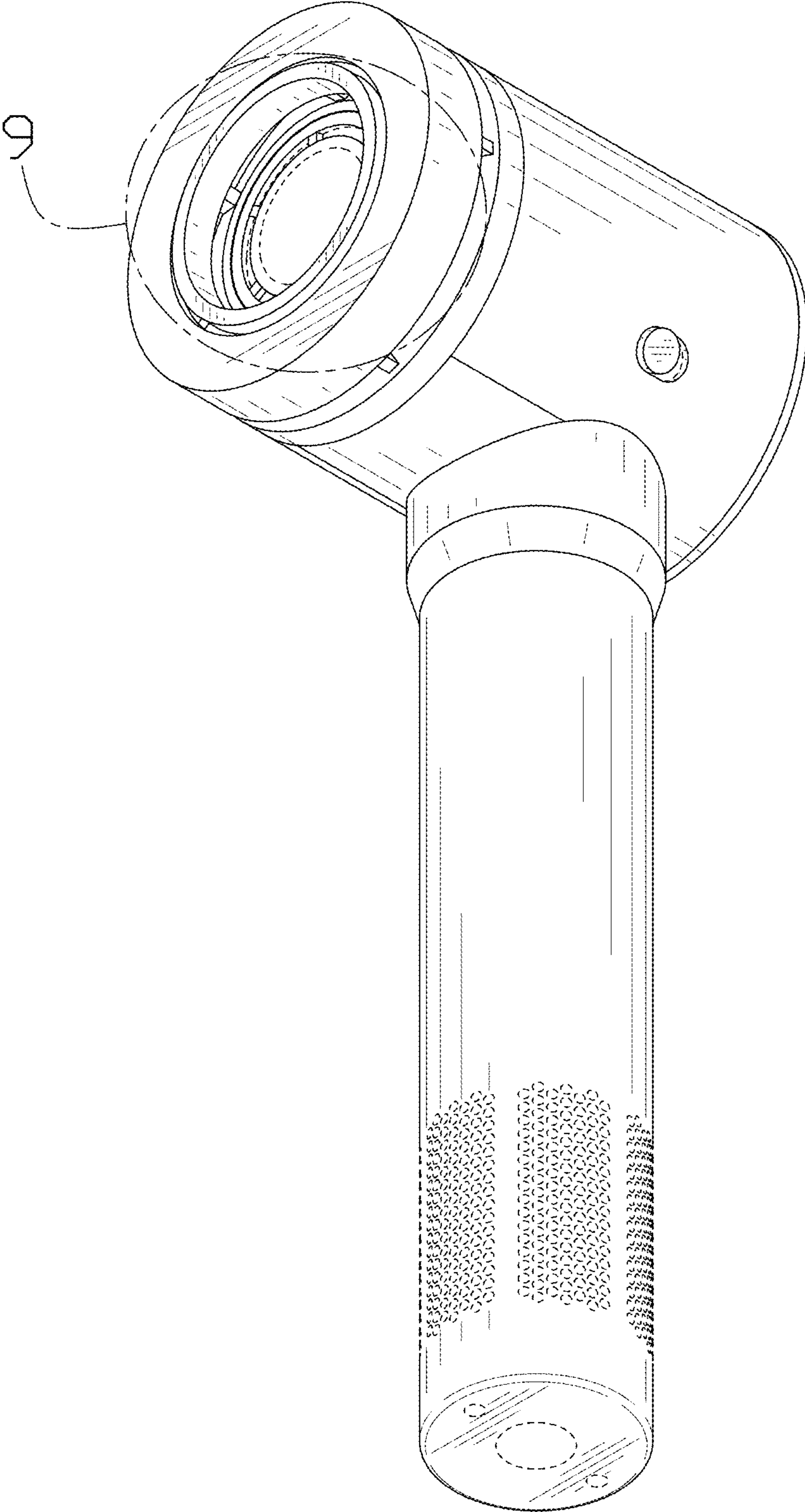


FIG. 2

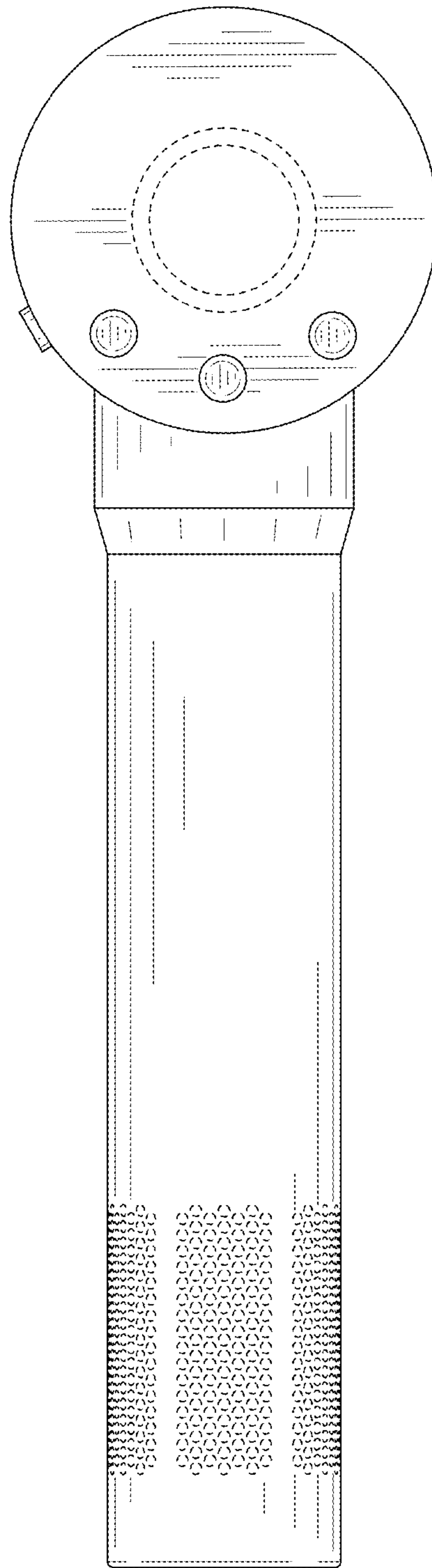


FIG. 3



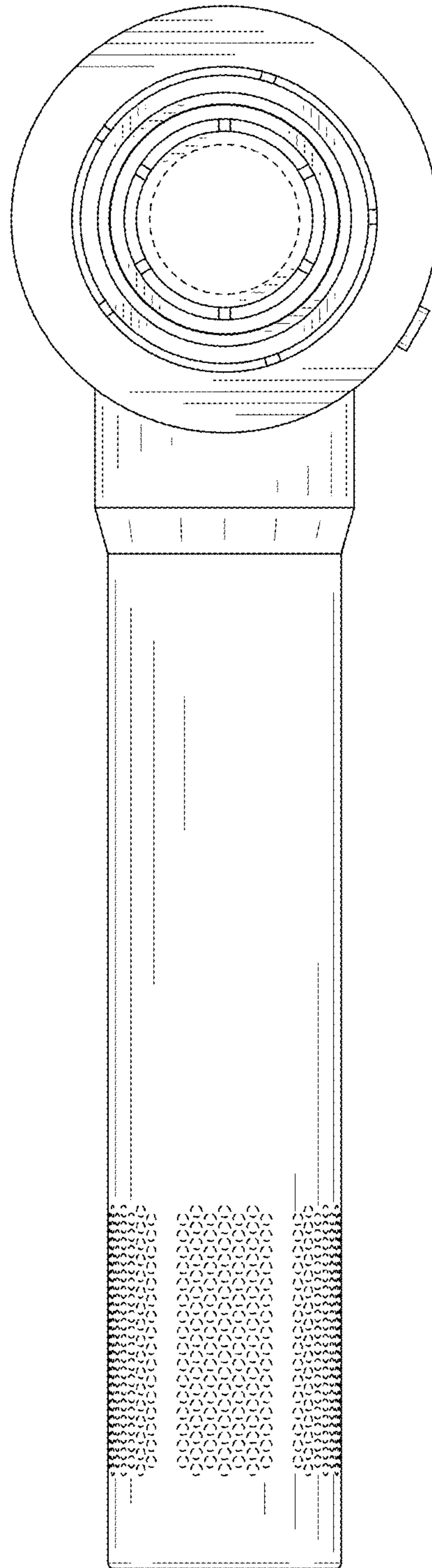


FIG. 4

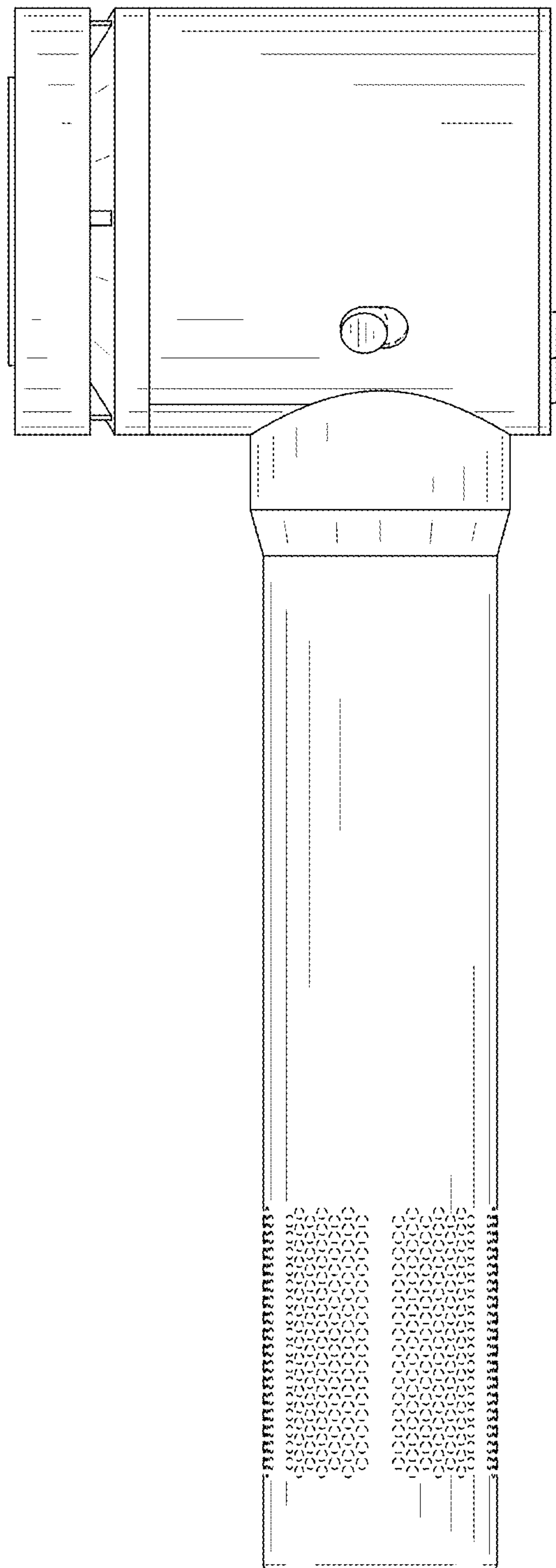


FIG. 5

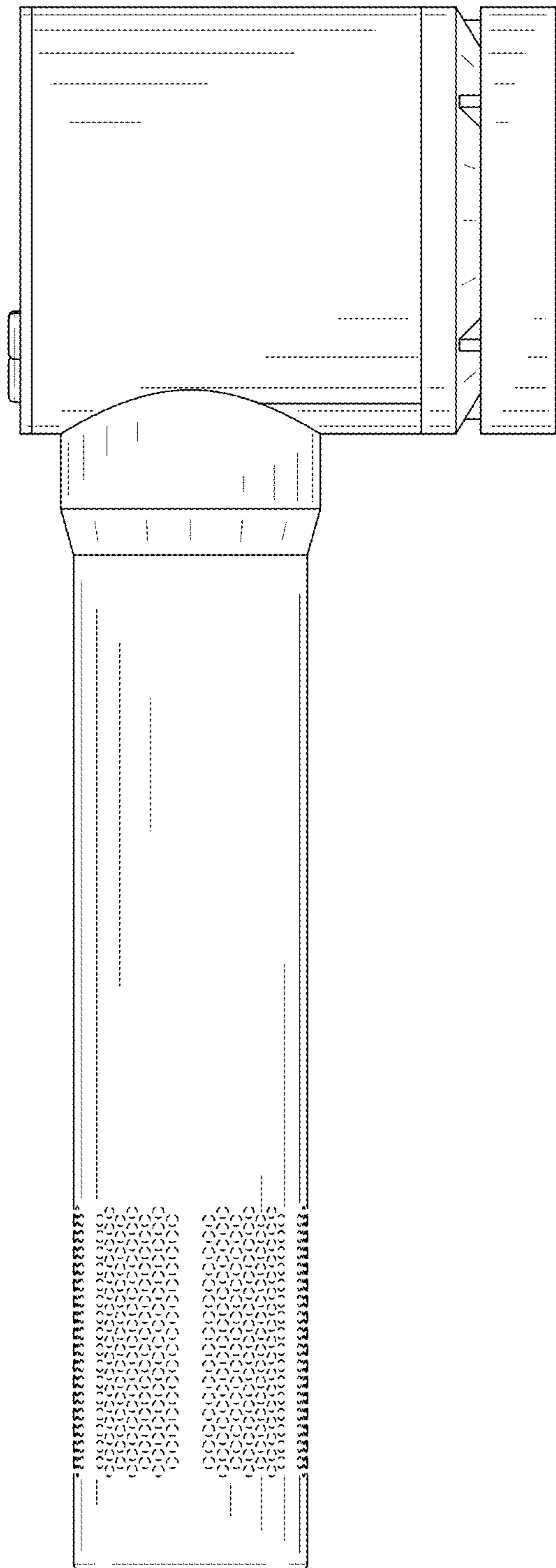


FIG. 6

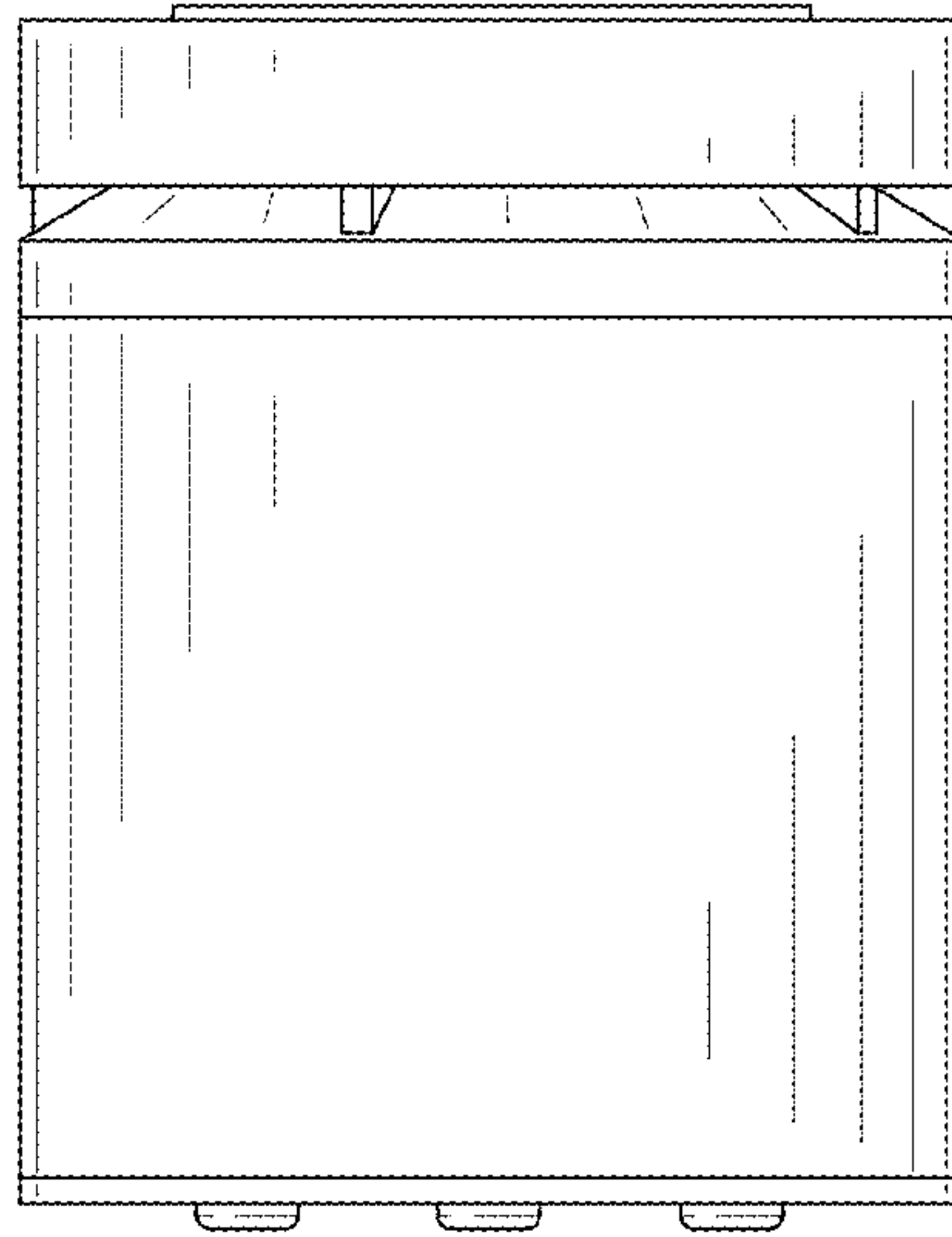


FIG. 7



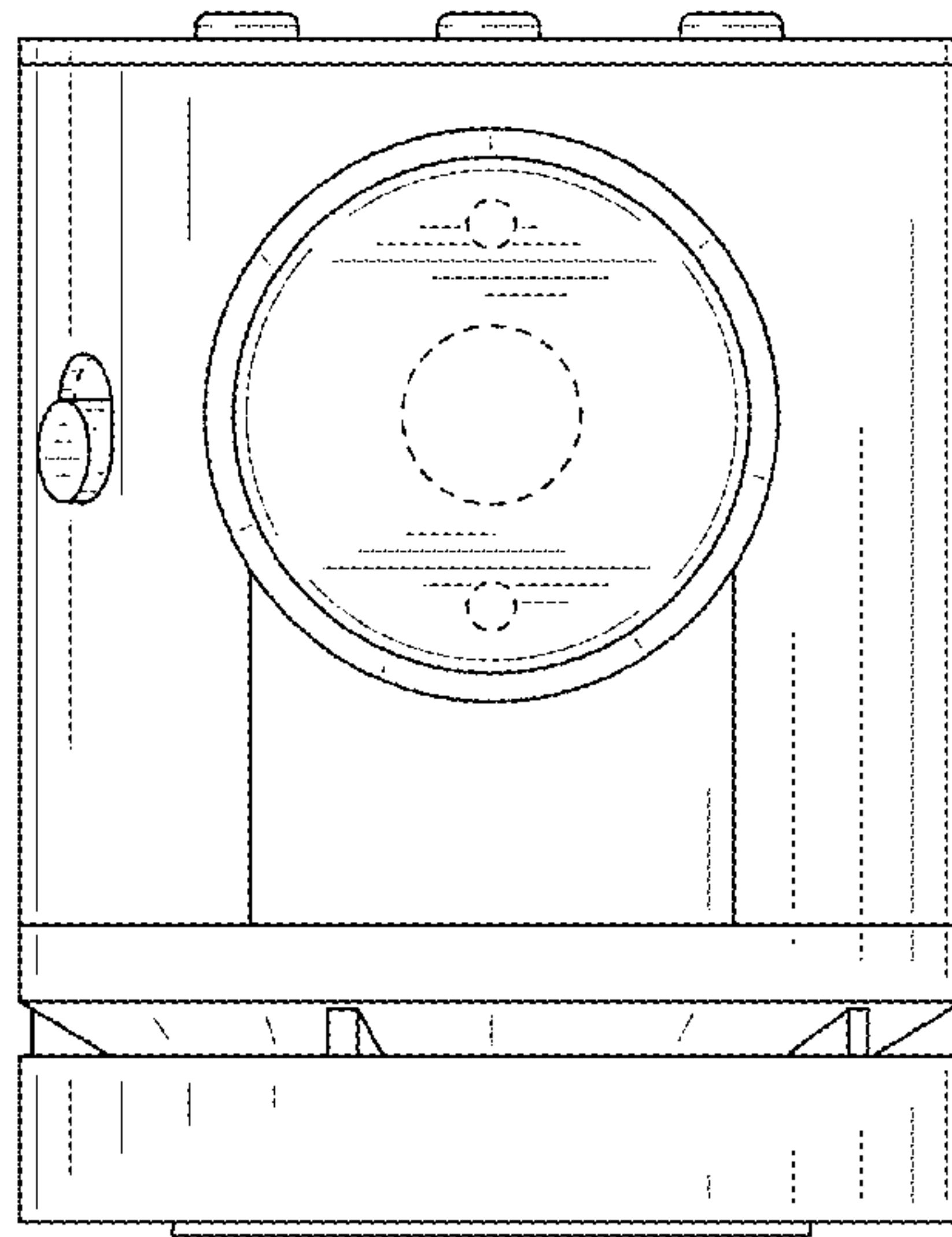


FIG. 8

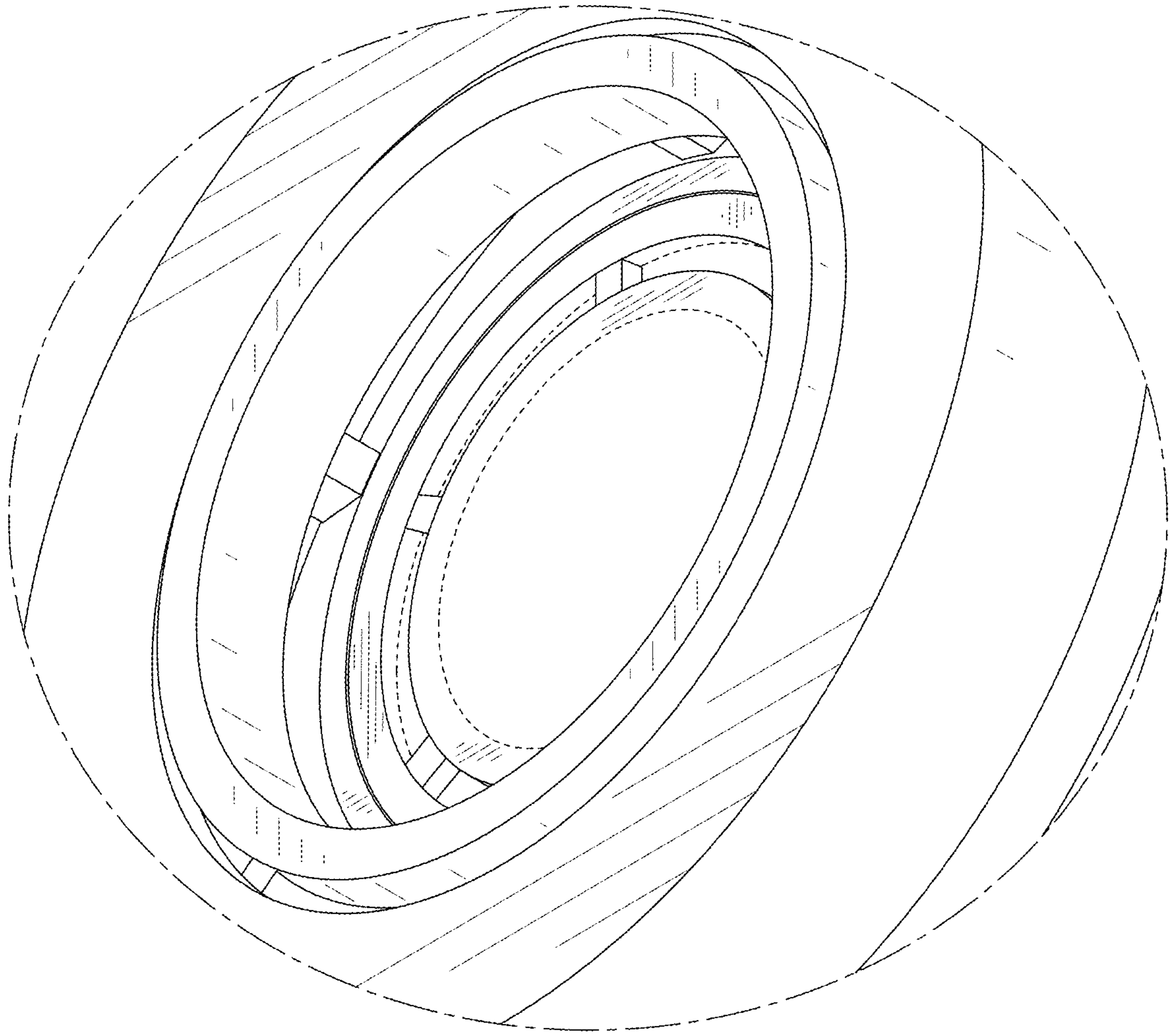


FIG. 9