



US00D973271S

(12) **United States Design Patent**  
**Hu**

(10) **Patent No.:** **US D973,271 S**  
(45) **Date of Patent:** **\*\* Dec. 20, 2022**

(54) **HAIR DRYER**

*Primary Examiner — Zenia I Bennett*

(71) Applicant: **Jinxiang Hu**, Ganzhou (CN)

(57) **CLAIM**

(72) Inventor: **Jinxiang Hu**, Ganzhou (CN)

The ornamental design for a hair dryer, as shown and described.

(\*\*) Term: **15 Years**

(21) Appl. No.: **29/792,591**

**DESCRIPTION**

(22) Filed: **Apr. 8, 2022**

(51) **LOC (13) Cl.** ..... **28-03**

(52) **U.S. Cl.**  
USPC ..... **D28/13**

(58) **Field of Classification Search**  
USPC ..... D28/12–19; D8/29.1  
CPC ..... A45D 20/00; A45D 20/04; A45D 20/08;  
A45D 20/10; A45D 20/12; A45D  
2020/128  
See application file for complete search history.

FIG. 1 is a front and top perspective view of a hair dryer, showing my new design;  
FIG. 2 is a rear and bottom perspective view thereof;  
FIG. 3 is a front elevation view thereof;  
FIG. 4 is a rear elevation view thereof;  
FIG. 5 is a left side elevation view thereof;  
FIG. 6 is a right side elevation view thereof;  
FIG. 7 is a top plan view thereof;  
FIG. 8 is a bottom plan view thereof;  
FIG. 9 is an enlarged view of a portion indicated with numeric 9 in FIG. 1;  
FIG. 10 is an enlarged view of a portion indicated with numeric 10 in FIG. 1;  
FIG. 11 is an enlarged view of a portion indicated with numeric 11 in FIG. 2; and,  
FIG. 12 is an enlarged view of a portion indicated with numeric 12 in FIG. 2.

(56) **References Cited**

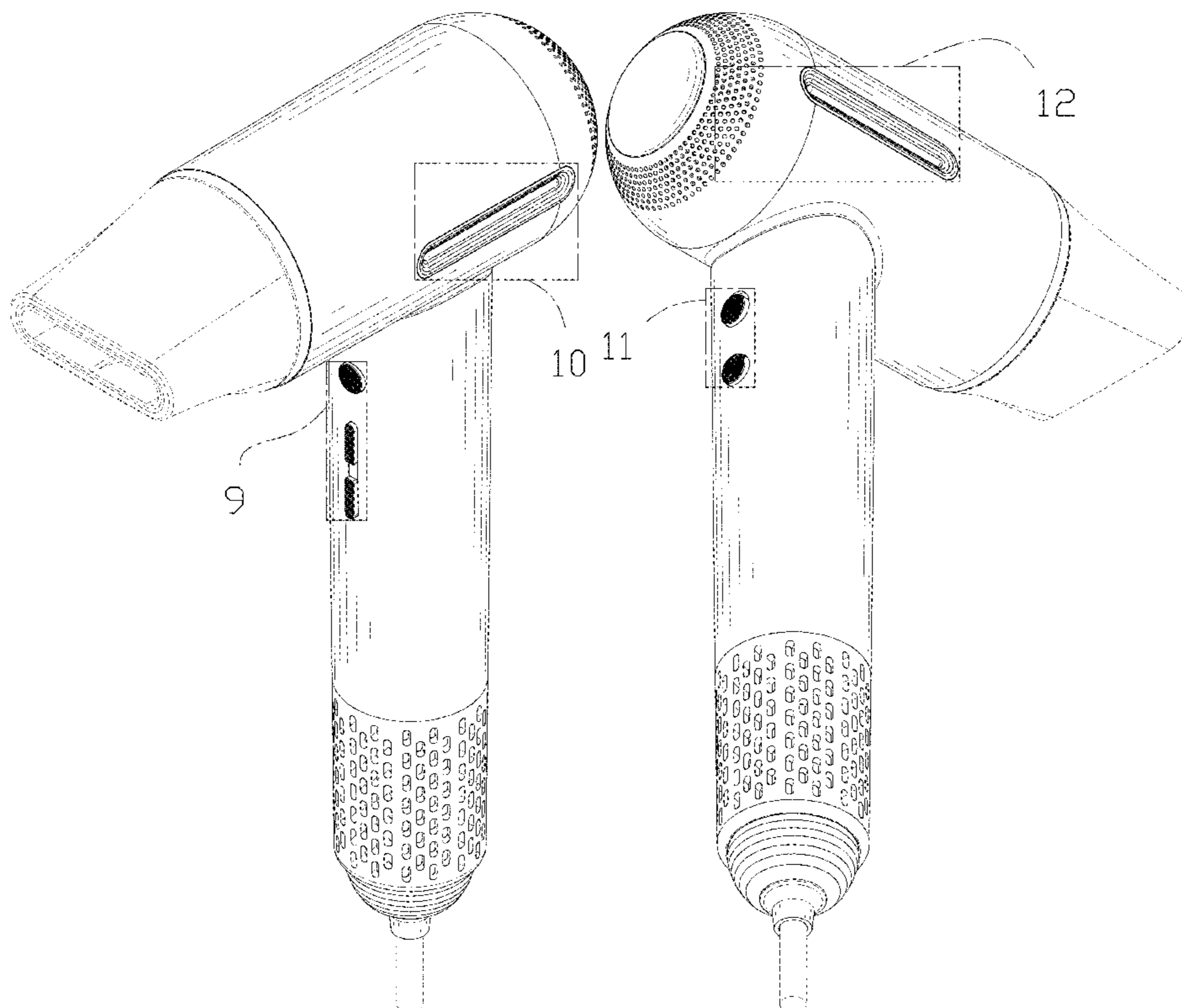
**U.S. PATENT DOCUMENTS**

D286,923	S	*	11/1986	Tsuji	.....	D28/13
D294,873	S	*	3/1988	Ogawa	.....	D28/16
D925,825	S	*	7/2021	Lo	.....	D28/13
D926,370	S	*	7/2021	Sun	.....	D28/13
D934,496	S	*	10/2021	Huang	.....	D28/13
D934,498	S		10/2021	Hillebrecht		
D943,201	S	*	2/2022	Liu	.....	D28/13
D952,248	S	*	5/2022	Lei	.....	D28/13
D952,940	S	*	5/2022	Mo	.....	D28/13

The broken lines in the figures illustrate portions of the hair dryer that form no part of the claimed design. The dash dot dash lines in FIGS. 1, 2, 9, 10, 11 and 12 are for the purpose of depicting the boundary lines of the enlarged views and form no part of the claimed design.

\* cited by examiner

**1 Claim, 12 Drawing Sheets**



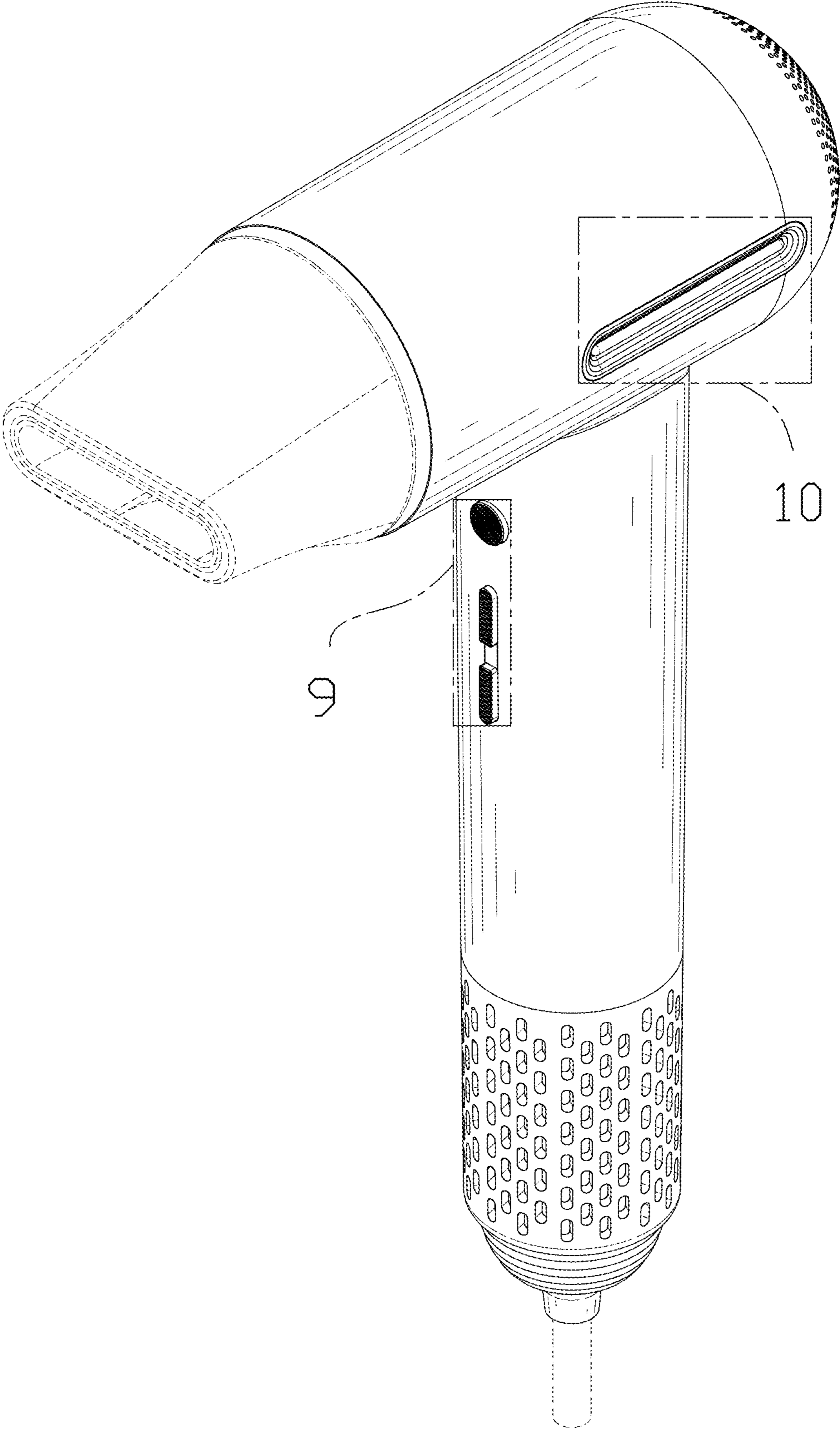


FIG. 1

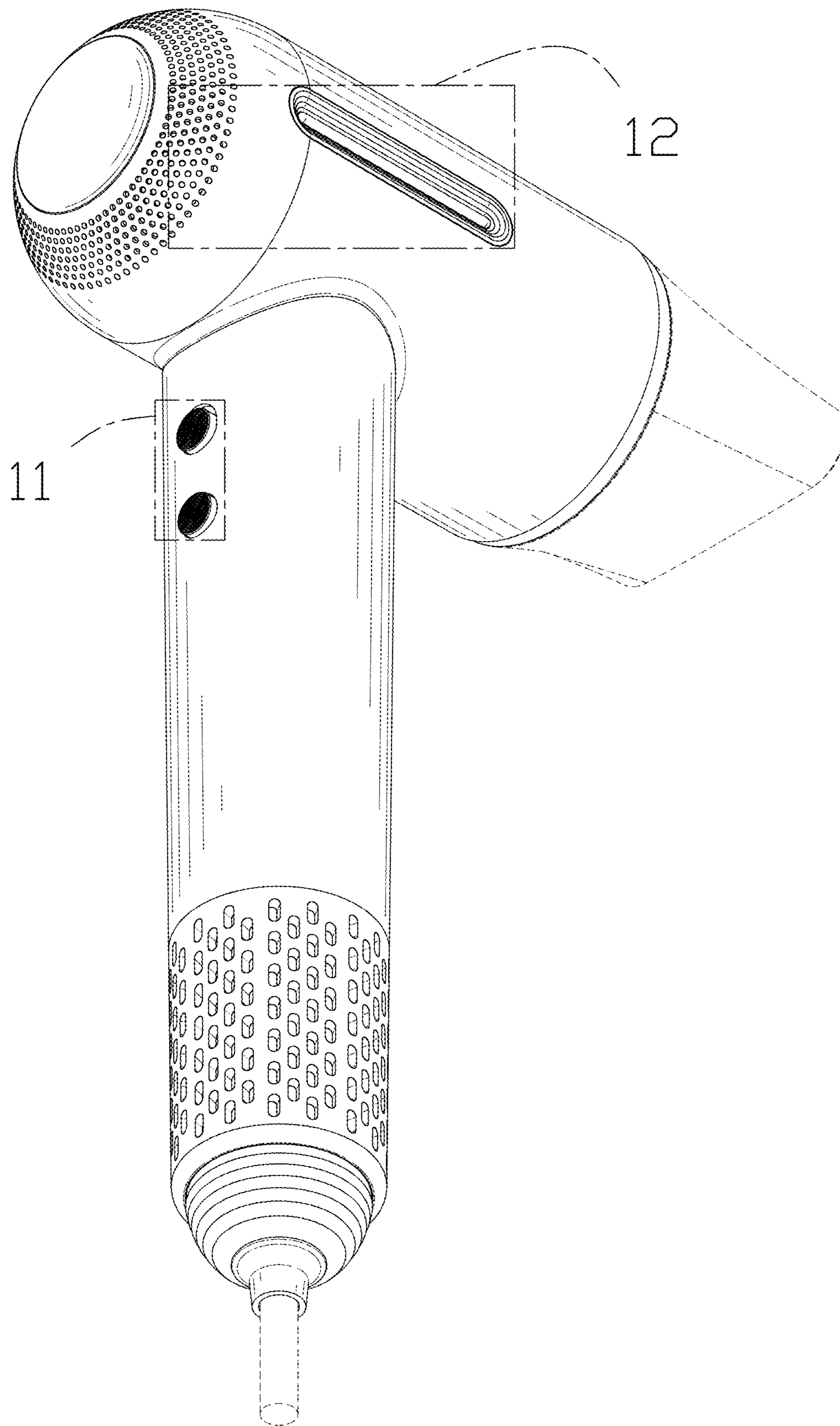


FIG. 2

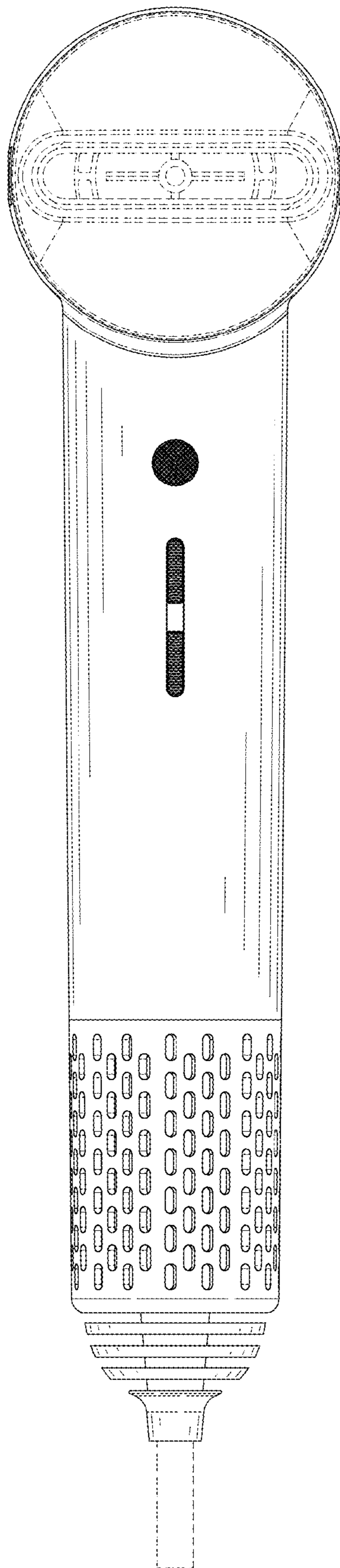


FIG. 3

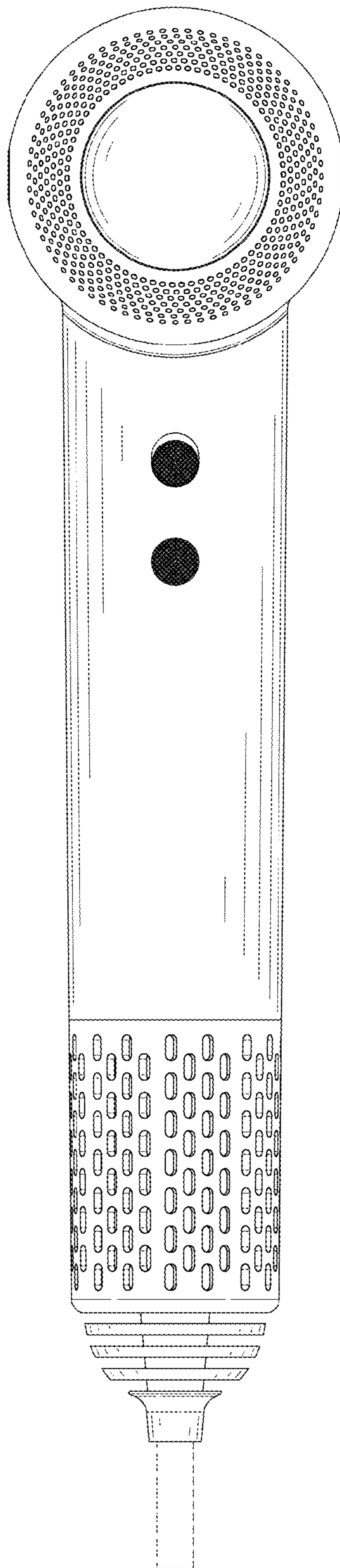


FIG. 4

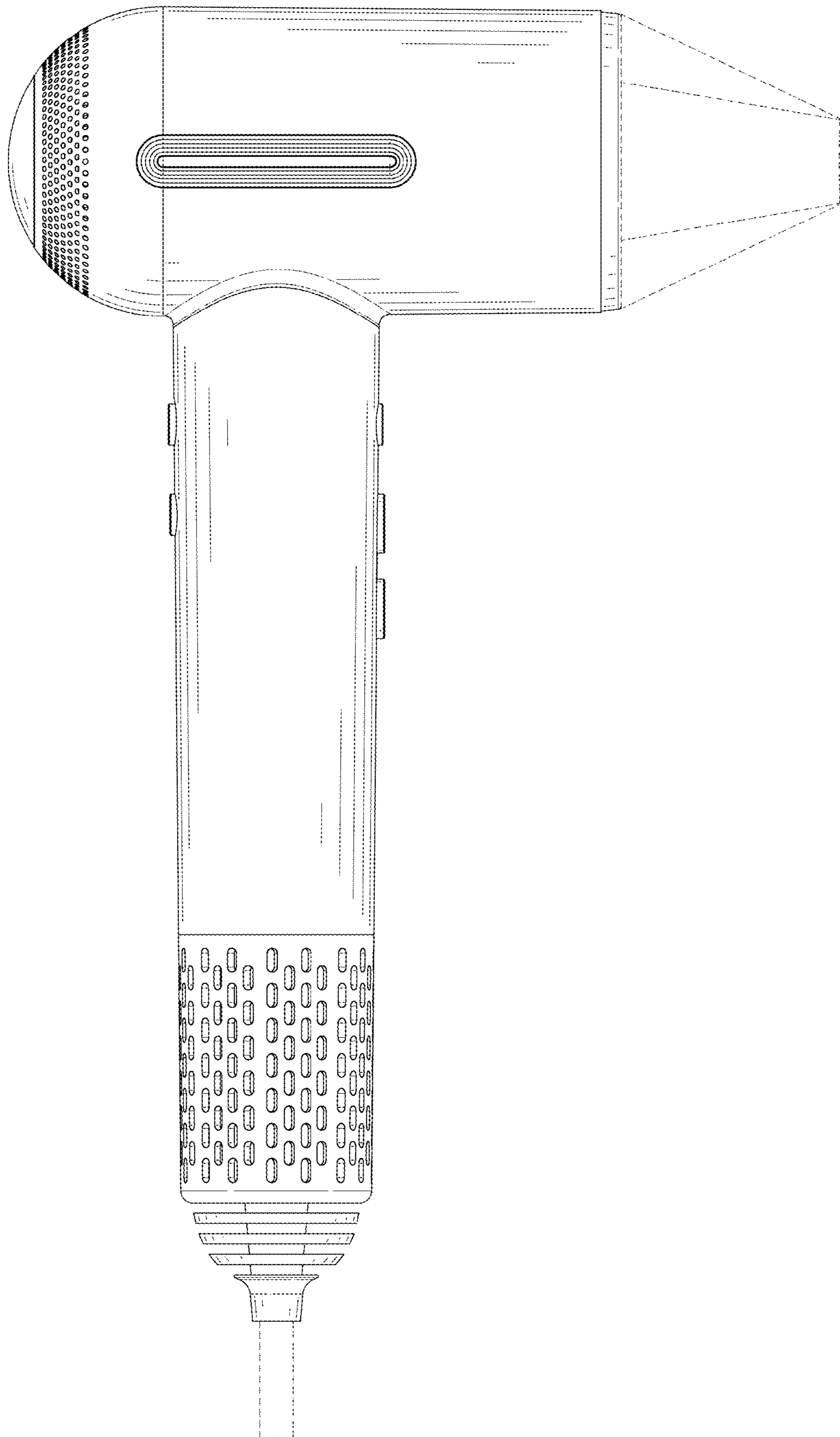


FIG. 5

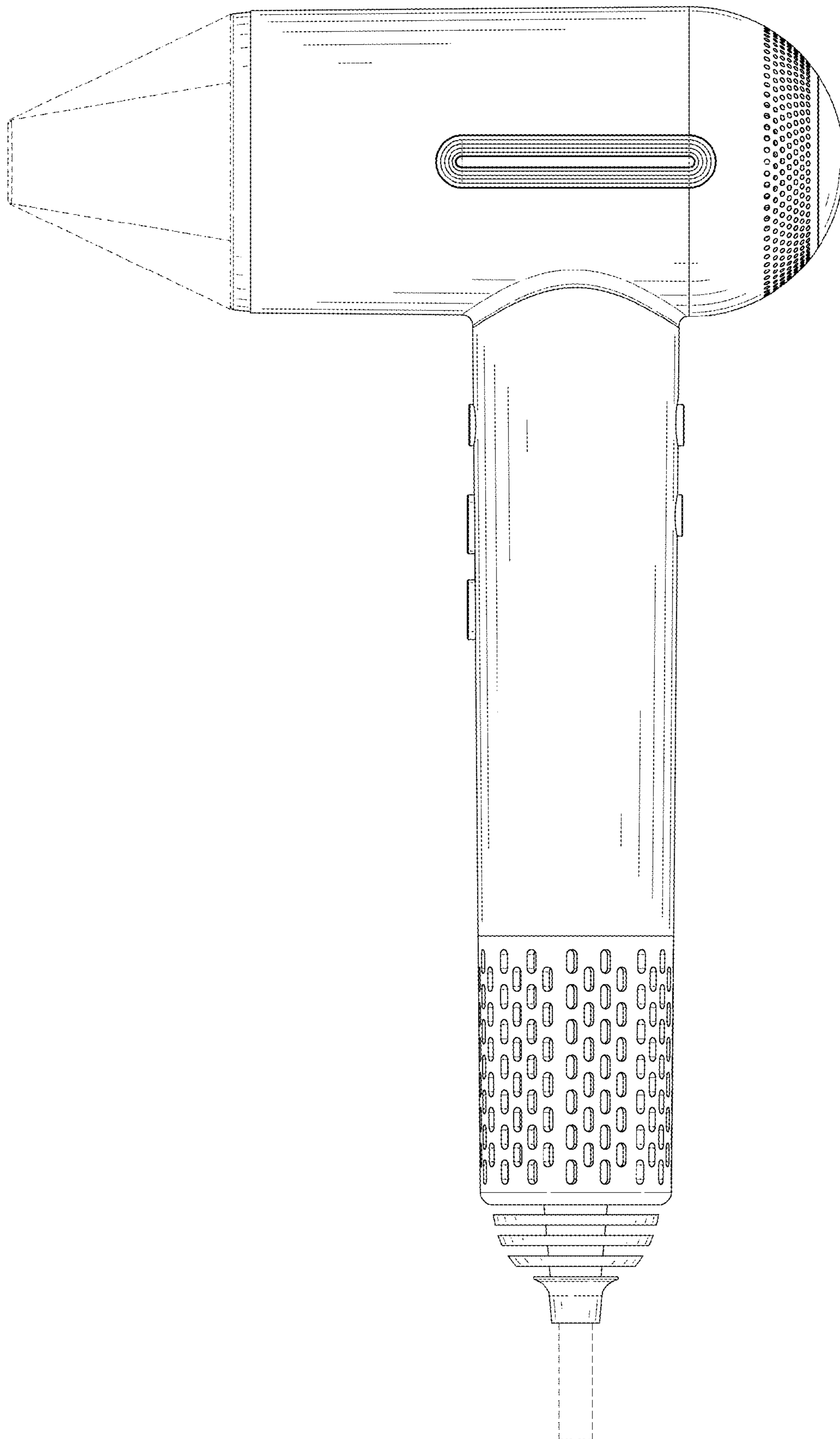


FIG. 6

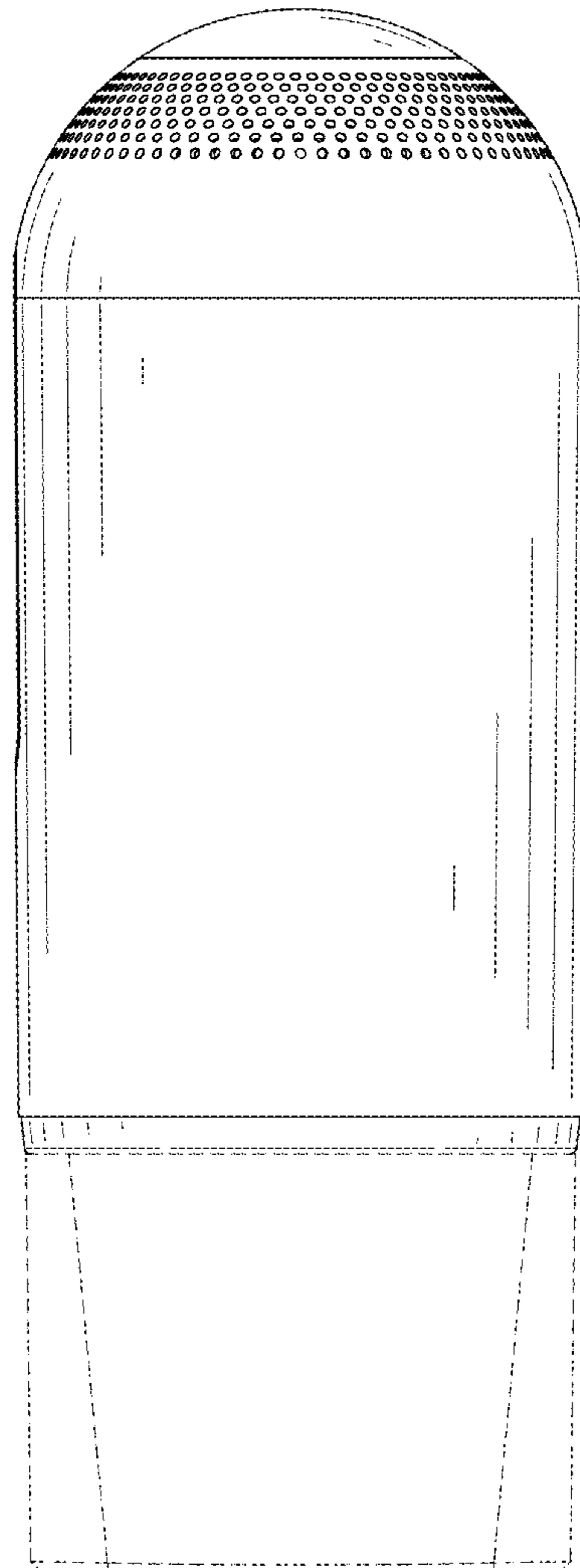


FIG. 7



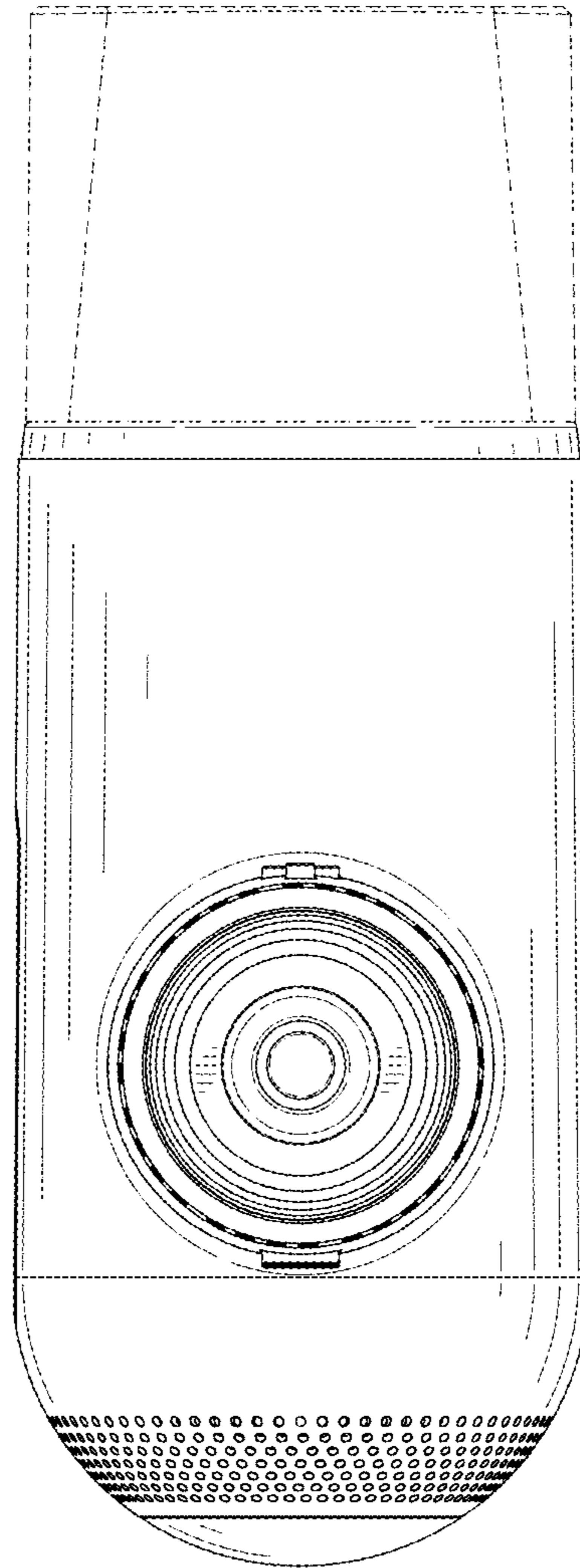


FIG. 8

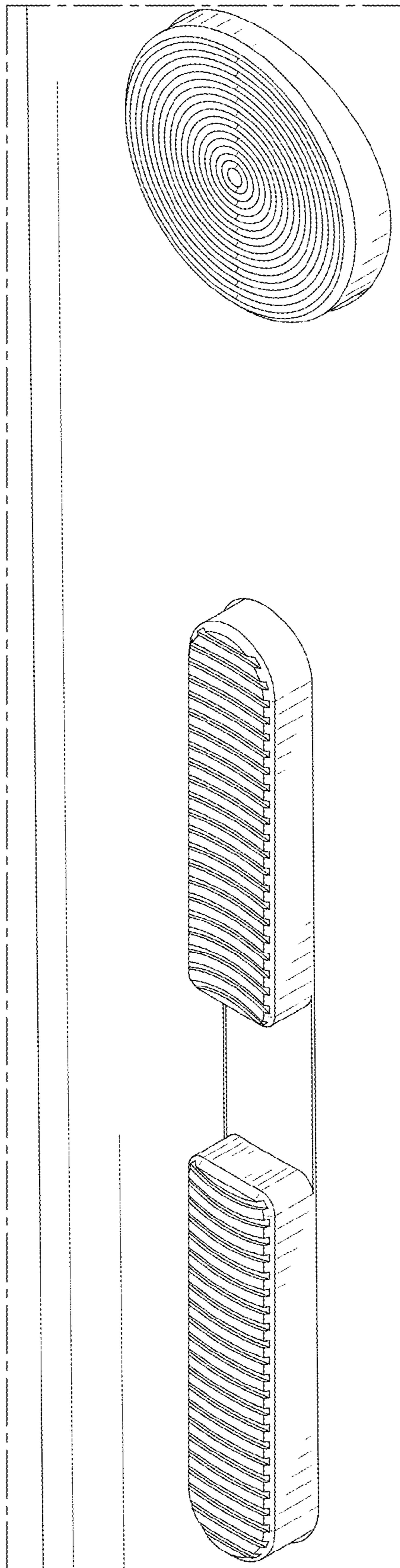


FIG. 9

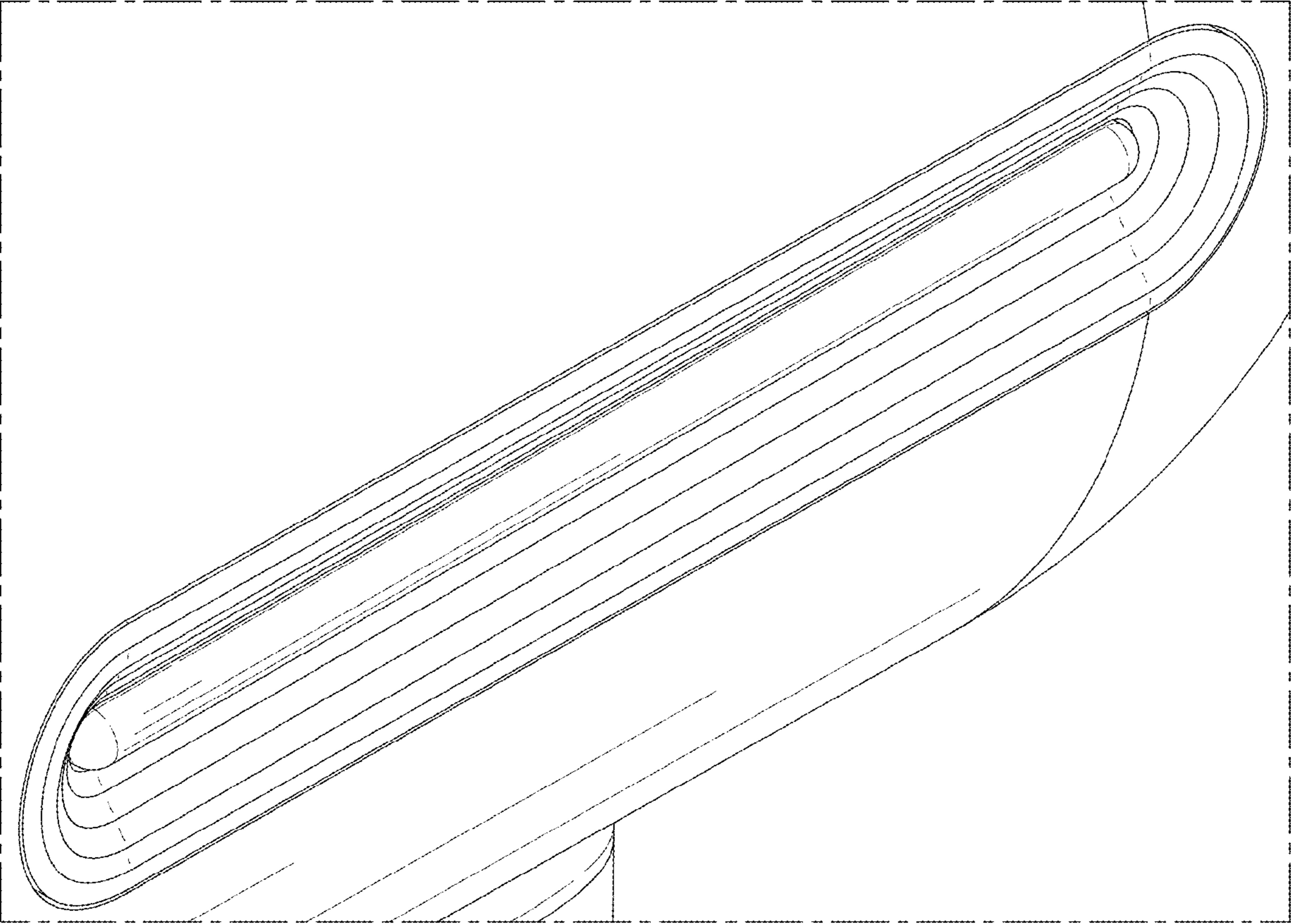


FIG. 10

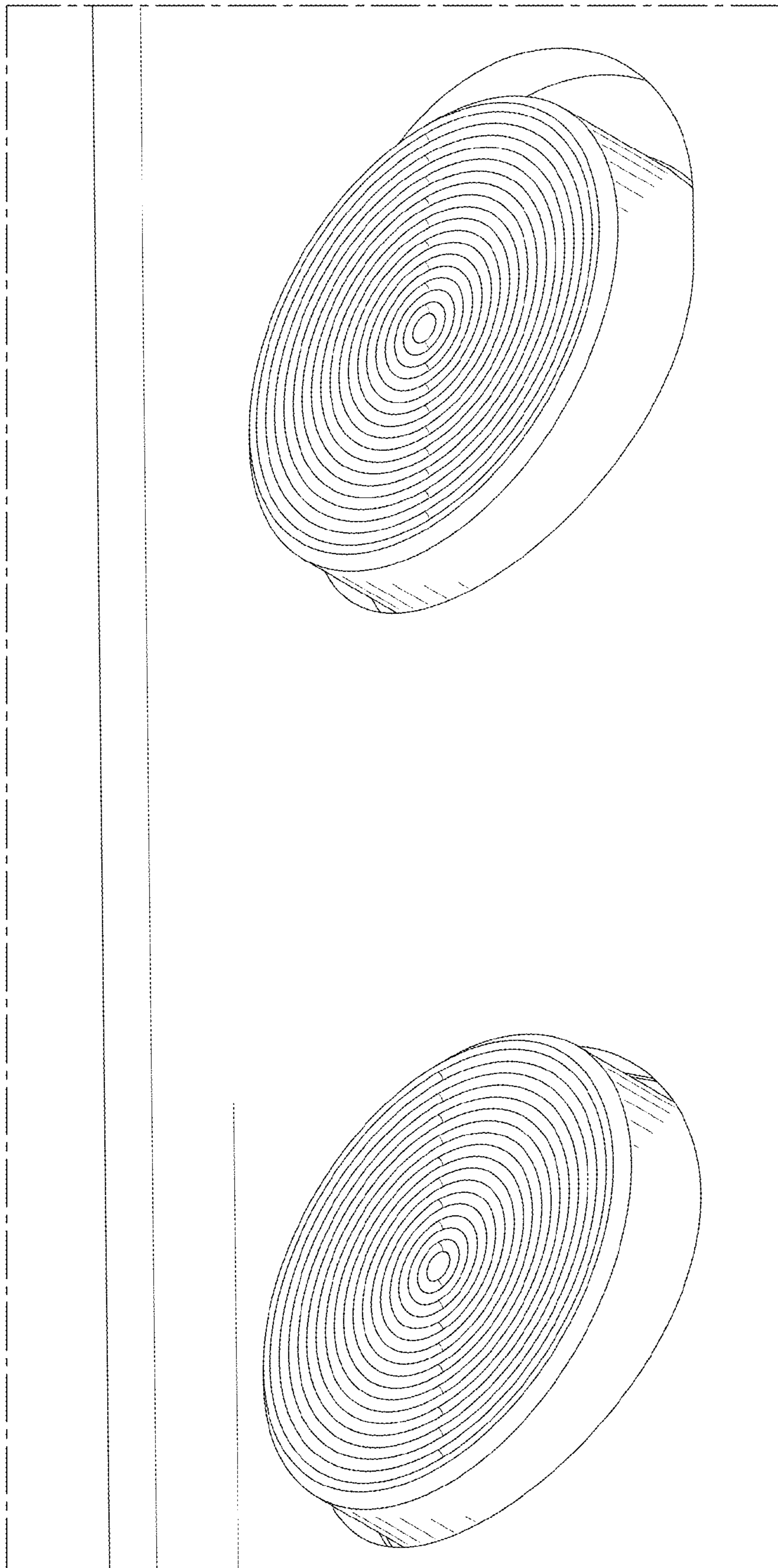


FIG. 11

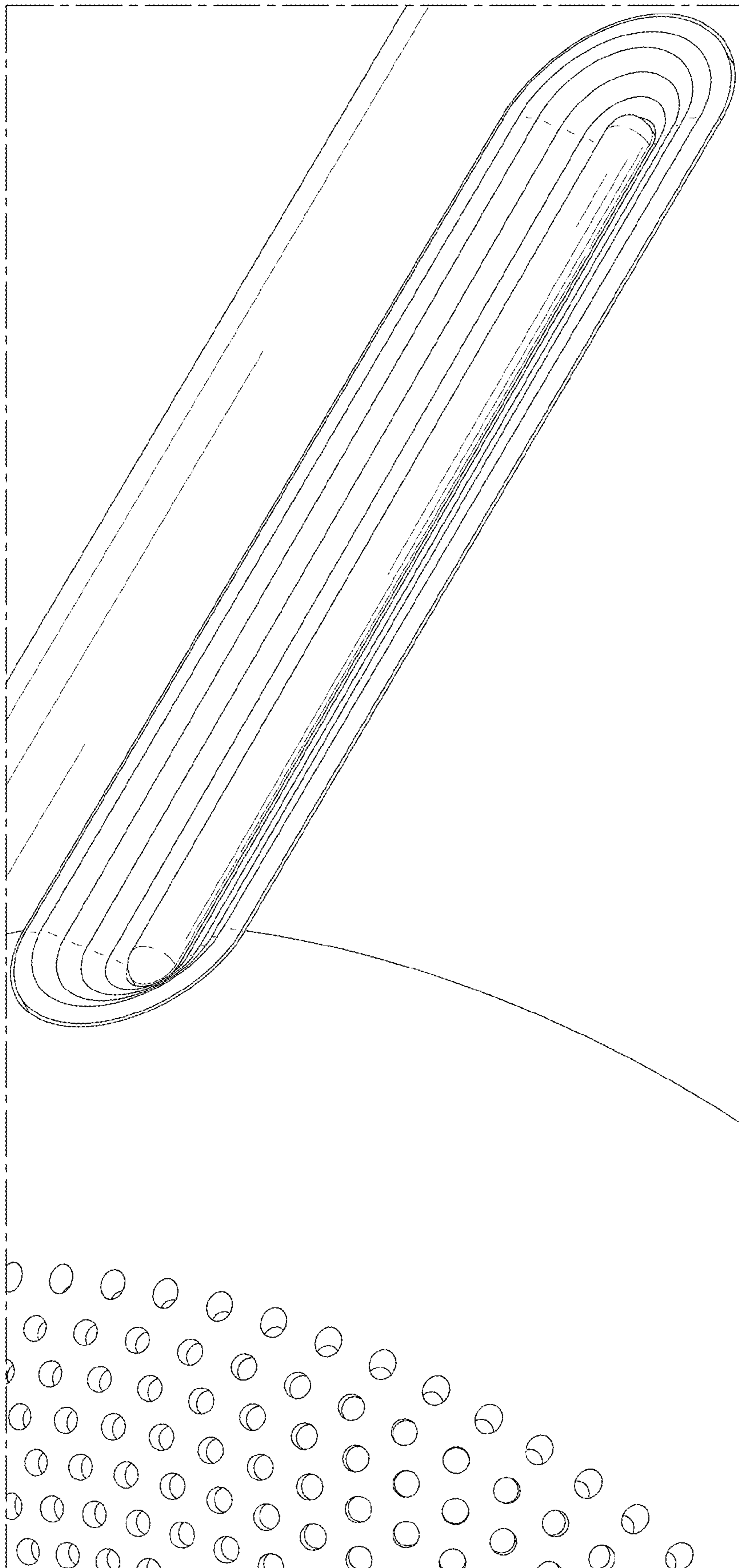


FIG. 12