



US00D973269S

(12) **United States Design Patent** (10) **Patent No.:** **US D973,269 S**
Wang (45) **Date of Patent:** **** Dec. 20, 2022**

(54) **SMOKER DEVICE**
(71) Applicant: **Chengdu Honghezhu Technology Co., Ltd., Sichuan (CN)**
(72) Inventor: **Gang Wang, Sichuan (CN)**
(73) Assignee: **Chengdu Honghezhu Technology Co., Ltd., Chengdu (CN)**
(**) Term: **15 Years**

D719,827 S * 12/2014 Duran D9/449
D723,226 S * 2/2015 Krueger D30/127
D741,001 S * 10/2015 Alarcon D27/194
D752,435 S * 3/2016 Willows D9/447
D760,963 S * 7/2016 Delman D30/131
D809,717 S * 2/2018 Pritham D30/127
D829,488 S 10/2018 Allen
D835,794 S * 12/2018 Clores D24/197
D872,357 S * 1/2020 Hoch D27/194
D886,390 S * 6/2020 Combs D30/127
D944,594 S 3/2022 Sumner
D946,823 S * 3/2022 Fornarelli D27/167

(21) Appl. No.: **29/839,688**
(22) Filed: **May 24, 2022**
(51) **LOC (13) Cl.** **27-02**
(52) **U.S. Cl.**
USPC **D27/168**
(58) **Field of Classification Search**
USPC D27/168, 170, 100, 103, 162-165, 167,
D27/169, 180, 181, 183, 194; D23/360
CPC A24F 1/30; A24F 1/02; A24F 1/00; A61M
11/00
See application file for complete search history.

OTHER PUBLICATIONS

Britney Spears Perfum Spray By Britney Spears found on Amazon (Aug. 6, 2022) https://www.amazon.com/CURIOUS-BRITNEY-SPEARS-Britney-Spears/dp/B01IAE0DRC/ref=sr_1_8?crd= (Jul. 11, 2016).*

* cited by examiner

Primary Examiner — Rebecca Tsehaye

(57) **CLAIM**

The ornamental design for a smoker device, substantially as shown and described.

(56) **References Cited**

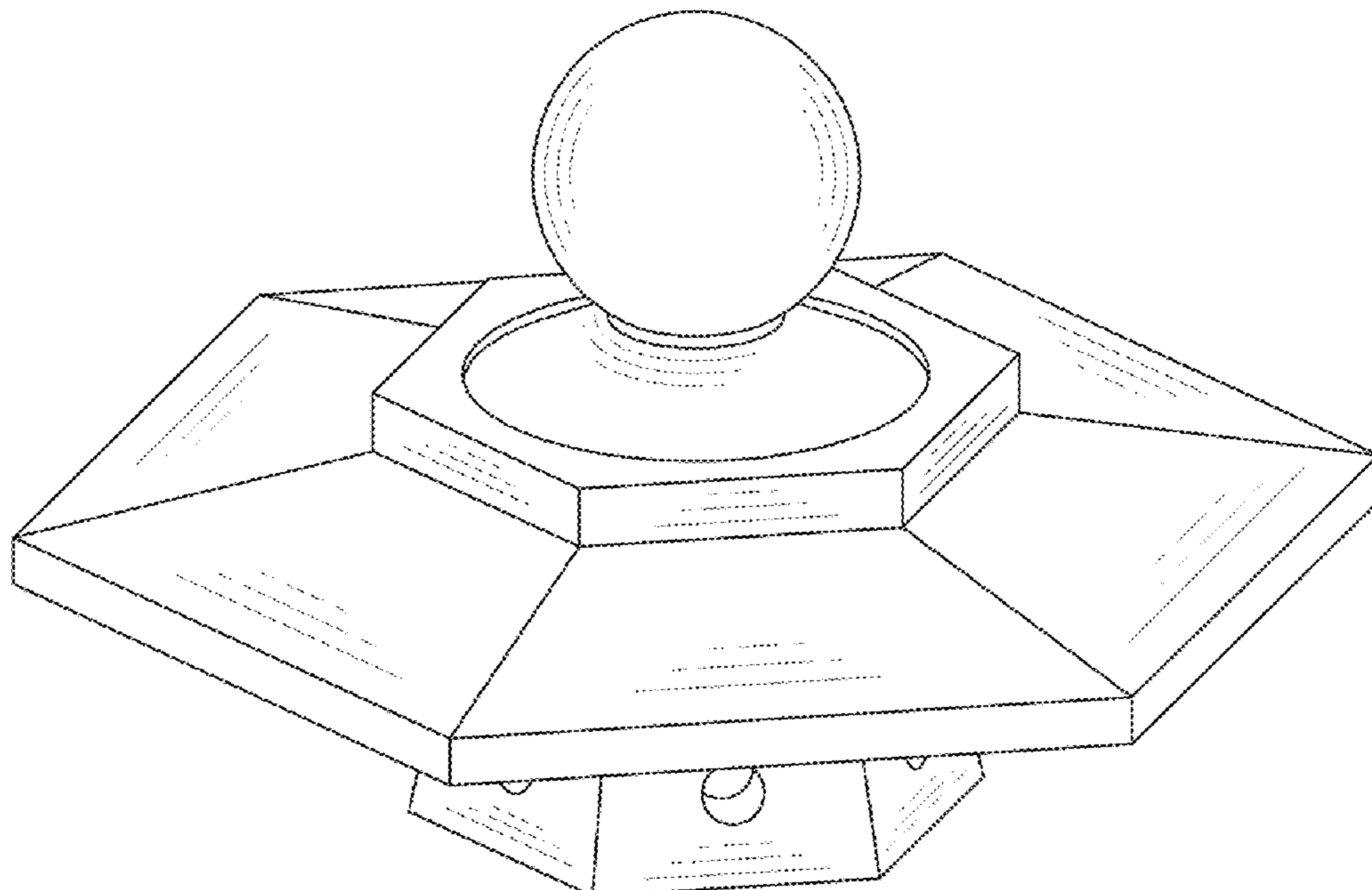
U.S. PATENT DOCUMENTS

4,089,633 A * 5/1978 Barghout F23L 7/005
431/208
4,133,628 A * 1/1979 Morrison F23L 7/005
123/25 R
D253,302 S * 10/1979 Morrison D23/360
D262,143 S * 12/1981 Sher D27/162
D267,353 S * 12/1982 Sher D27/162
D420,251 S * 2/2000 Brady D7/392.1
D609,864 S * 2/2010 Tsai D30/127
D710,052 S * 7/2014 Lanča D27/162
D717,589 S * 11/2014 Harshman D7/392.1

DESCRIPTION

FIG. 1 is a perspective view of a smoker device, showing my new design;
FIG. 2 is a front elevation view thereof;
FIG. 3 is a rear elevation view thereof;
FIG. 4 is a left side elevation view thereof;
FIG. 5 is a right side elevation view thereof;
FIG. 6 is a top plan view thereof; and,
FIG. 7 is a bottom plan view thereof.

1 Claim, 7 Drawing Sheets



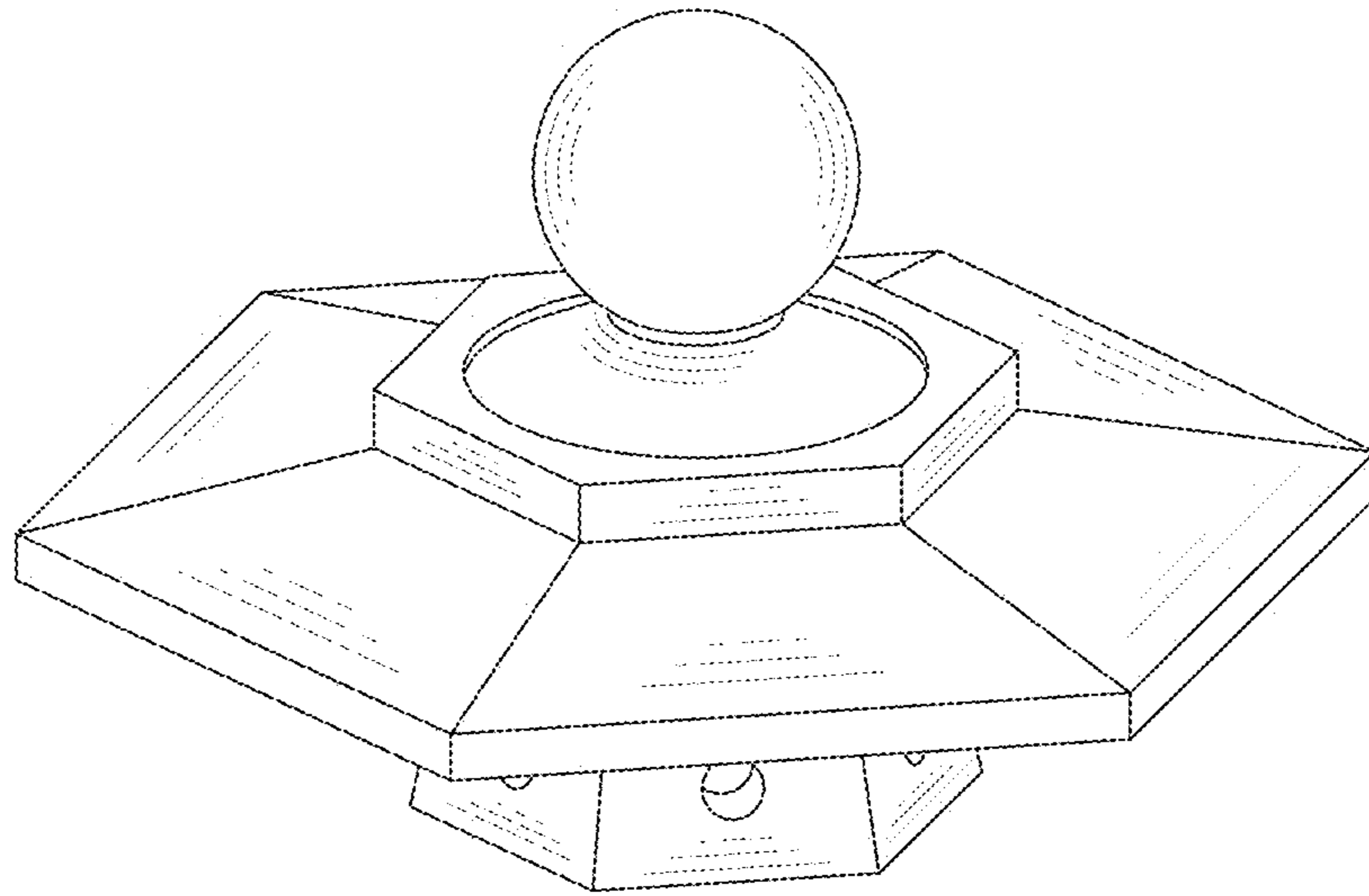


FIG. 1

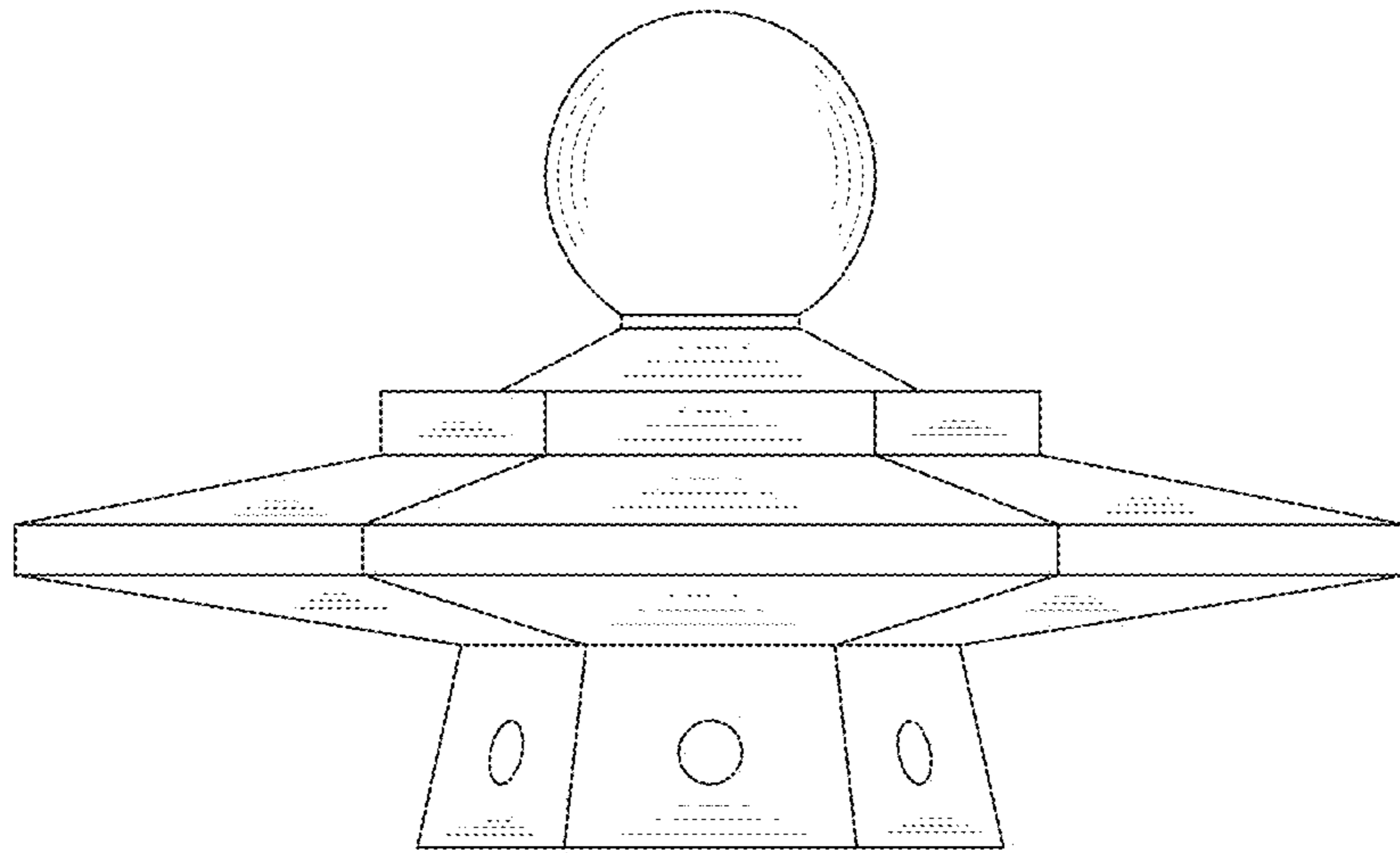


FIG. 2

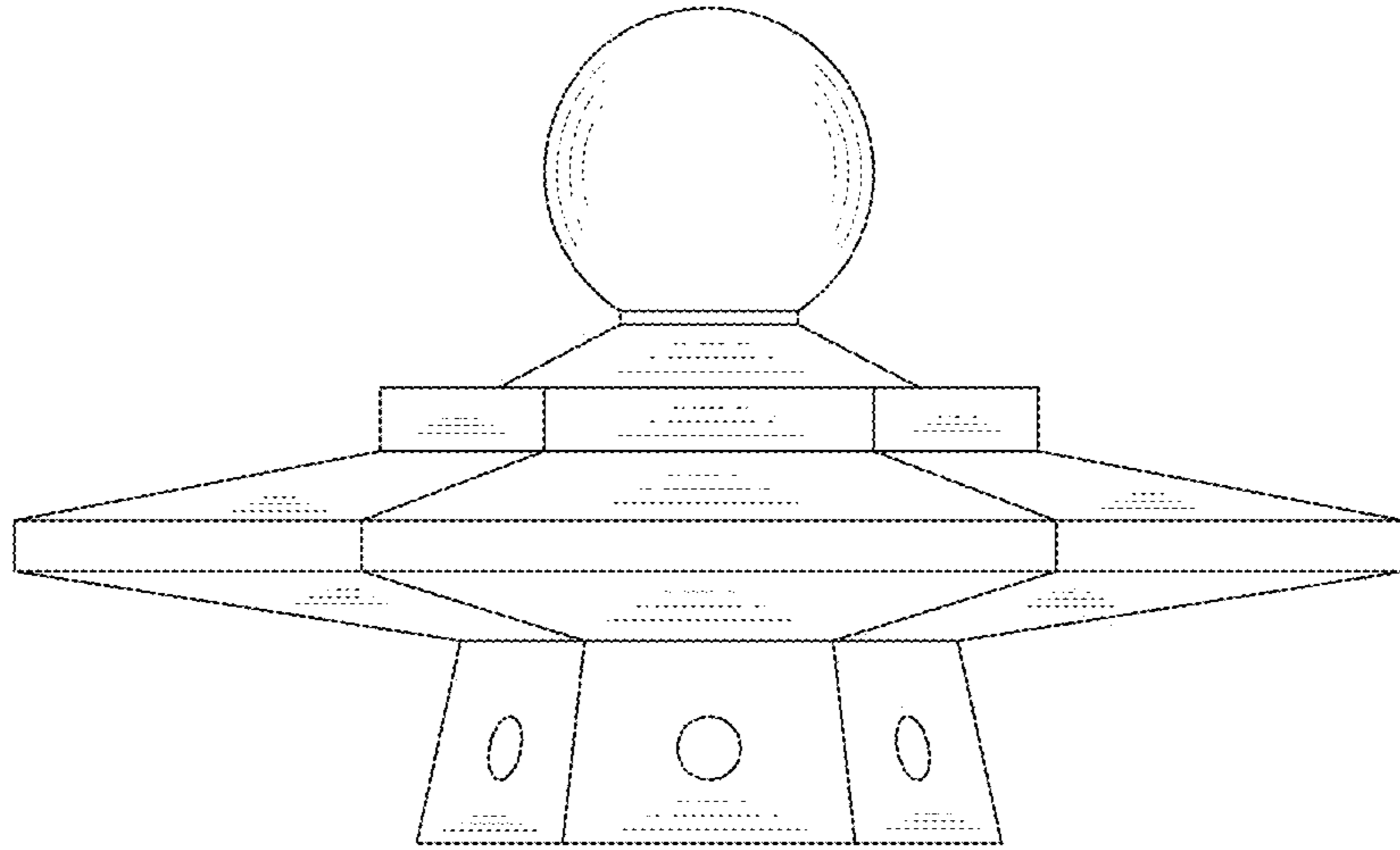


FIG. 3

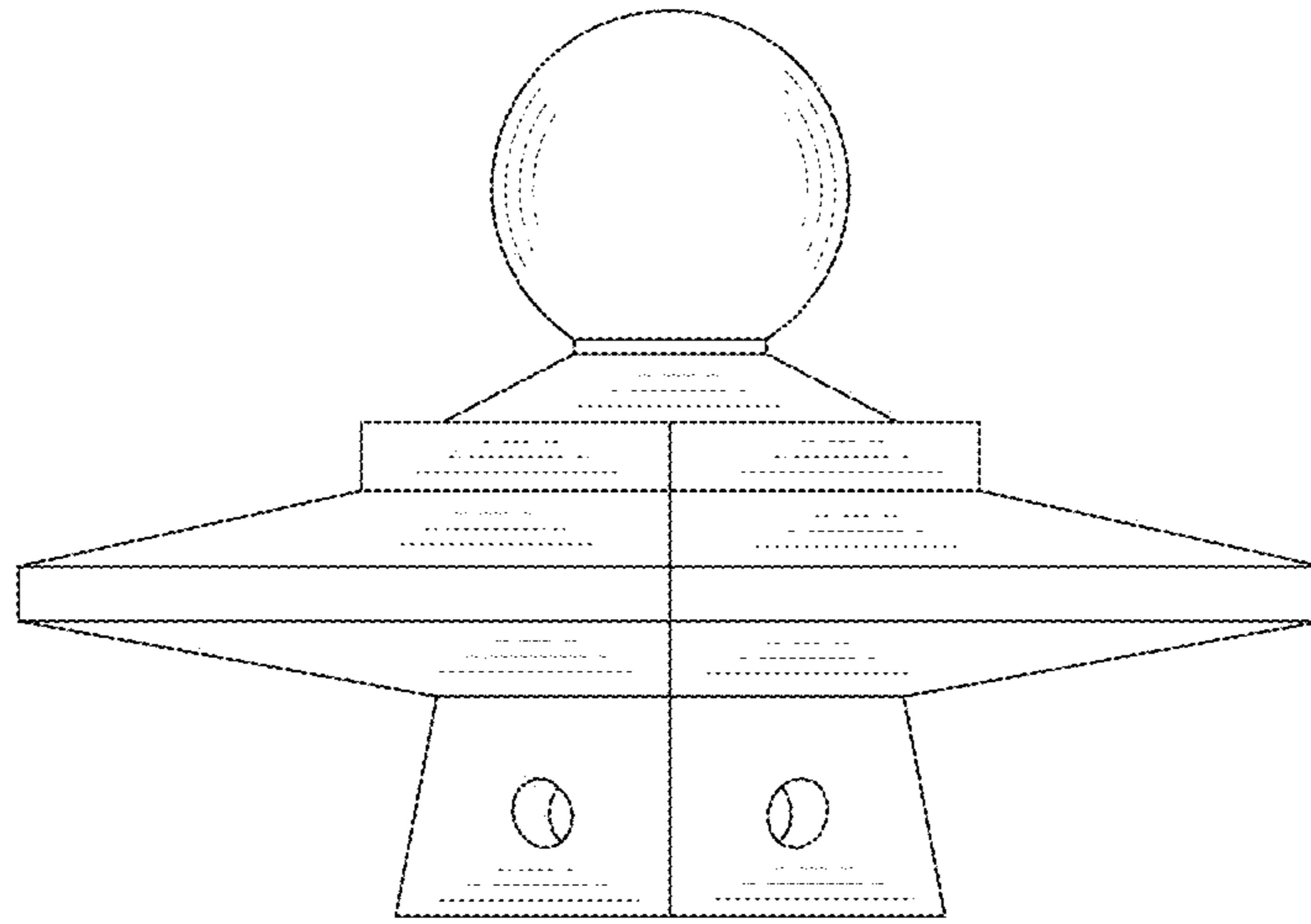


FIG. 4

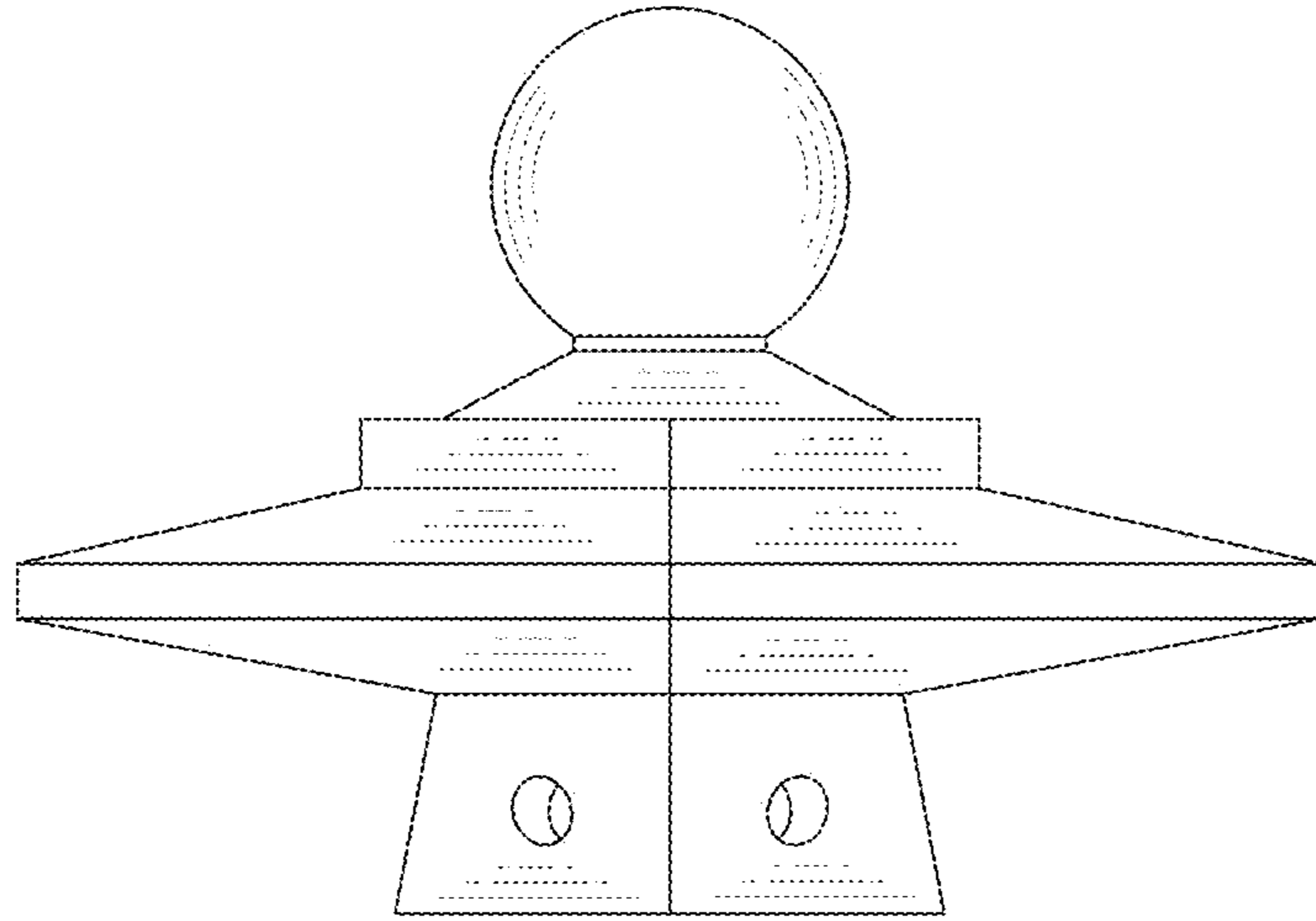


FIG. 5

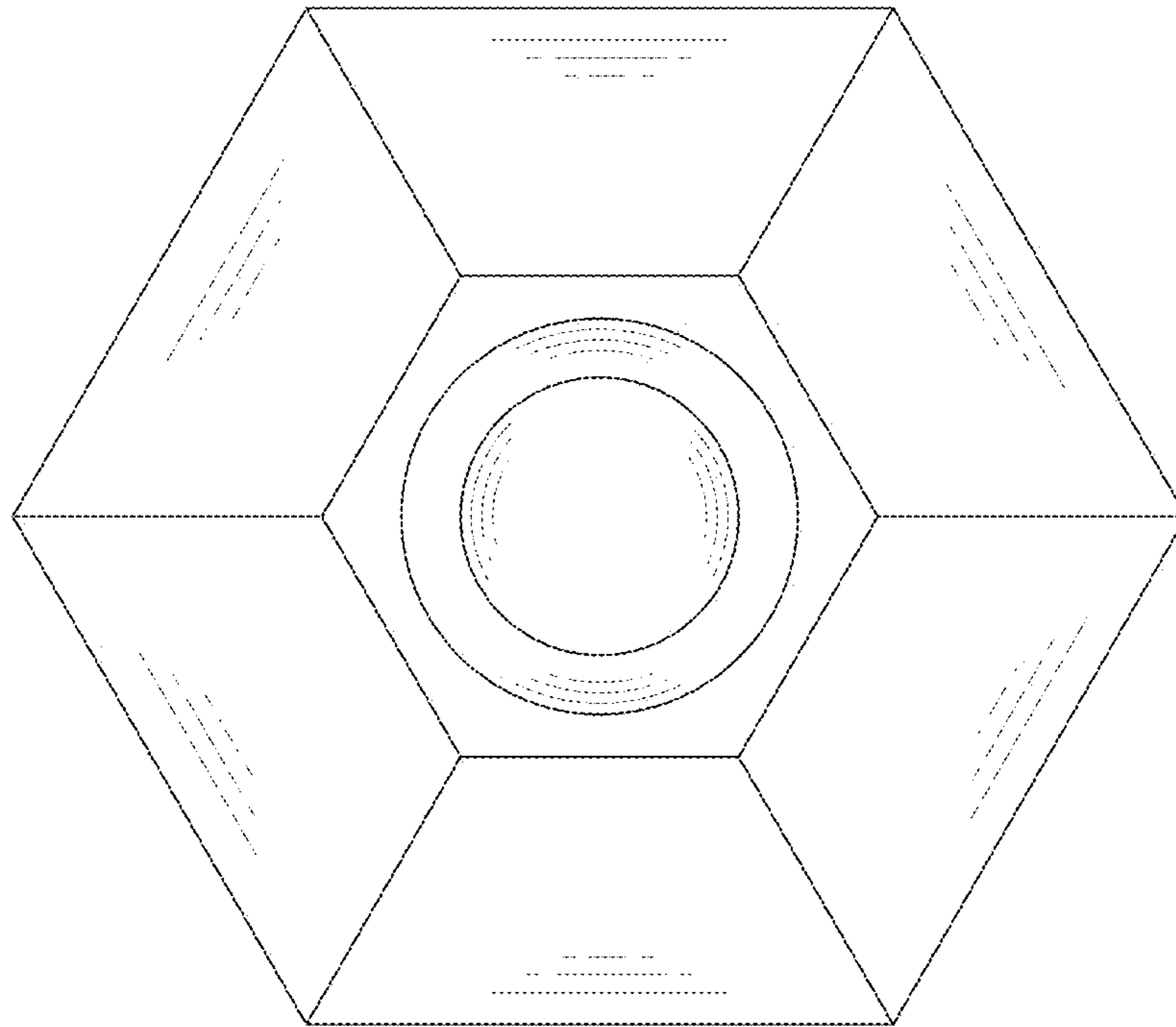


FIG. 6

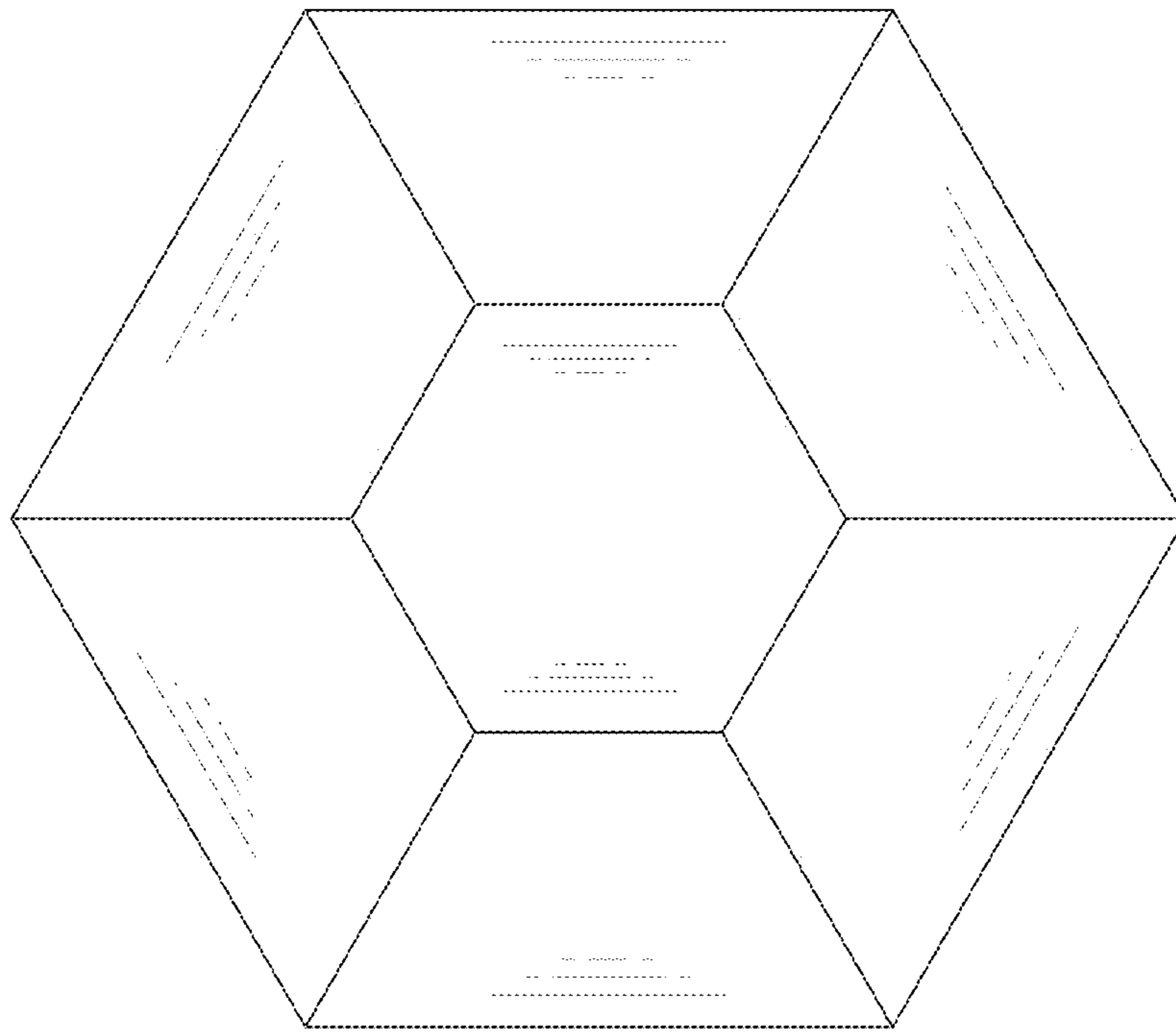


FIG. 7