



US00D973258S

(12) **United States Design Patent**  
**Giopato et al.**

(10) **Patent No.:** **US D973,258 S**

(45) **Date of Patent:** **\*\* Dec. 20, 2022**

(54) **CHANDELIER**

(71) Applicant: **GIOPATO & COOMBES S.R.L.**,  
Treviso (IT)

(72) Inventors: **Cristiana Giopato**, Treviso (IT);  
**Christopher Coombes**, Treviso (IT)

(73) Assignee: **GIOPATO & COOMBES S.r.L.**,  
Treviso (IT)

(\*\*) Term: **15 Years**

(21) Appl. No.: **35/512,529**

(22) Filed: **Aug. 26, 2021**

(80) **Hague Agreement Data**

Int. Filing Date: **Aug. 26, 2021**

Int. Reg. No.: **DM/216107**

Int. Reg. Date: **Aug. 26, 2021**

Int. Reg. Pub. Date: **Sep. 10, 2021**

(30) **Foreign Application Priority Data**

Mar. 19, 2021 (IT) ..... 40202100000782

(51) **LOC (13) Cl.** ..... **26-03**

(52) **U.S. Cl.**  
USPC ..... **D26/90; D26/88**

(58) **Field of Classification Search**  
USPC ..... D26/80-86, 88-91, 72, 118, 143, 144  
CPC .... F21S 8/043; F21S 8/046; F21S 8/06; F21S  
8/061; F21S 8/063; F21S 8/065; F21S  
8/068

See application file for complete search history.

(56) **References Cited**

**U.S. PATENT DOCUMENTS**

D119,203 S \* 2/1940 Krueger ..... D26/88  
D341,442 S \* 11/1993 Shapiro ..... D26/88

D343,250 S \* 1/1994 Fouke ..... D26/88  
D459,526 S \* 6/2002 Dolan ..... D26/88  
D575,439 S \* 8/2008 Morrison ..... D26/88  
D576,340 S \* 9/2008 Wanders ..... D26/88  
D588,301 S \* 3/2009 Sabernig ..... D26/88  
D739,001 S \* 9/2015 Crisa' ..... D23/372  
D755,433 S \* 5/2016 Sonneman ..... D26/88  
D792,001 S \* 7/2017 Park ..... D26/88  
D897,589 S \* 9/2020 Cornelissen ..... D26/88  
D922,662 S \* 6/2021 Giopato ..... D26/90  
D923,851 S \* 6/2021 Symons ..... D26/81

**OTHER PUBLICATIONS**

Organic shaped hanging light by Studio Oda & King <<https://www.odaandking.com/product-page/organic-shaped-hanging-light>> visited Sep. 6, 2022. (Year: 2022).\*

Lisusut Japanese Restaurant Hanging Lamp, ASIN: B0B2RX6YXZ. Available from amazon.com, visited Sep. 6, 2022. (Year: 2022).\*

JXHDM Modern Pendant Light E276, ASIN: B09Z6WHR2N. Available from amazon.com Apr. 29, 2022. (Year: 2022).\*

\* cited by examiner

*Primary Examiner* — Clare E Heflin

(74) *Attorney, Agent, or Firm* — Thomas | Horstemeyer, LLP

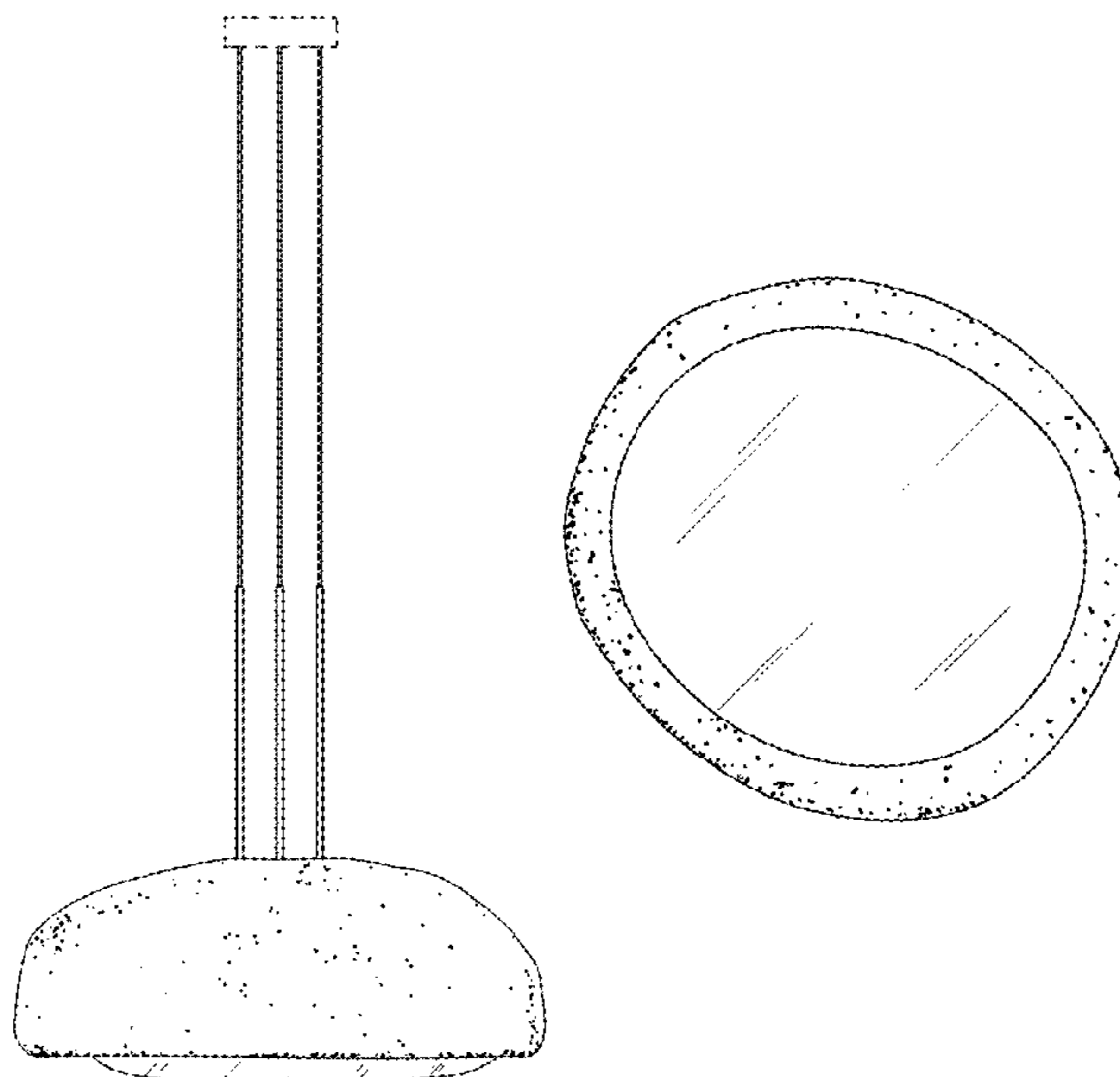
(57) **CLAIM**

The ornamental design for a chandelier, as shown and described.

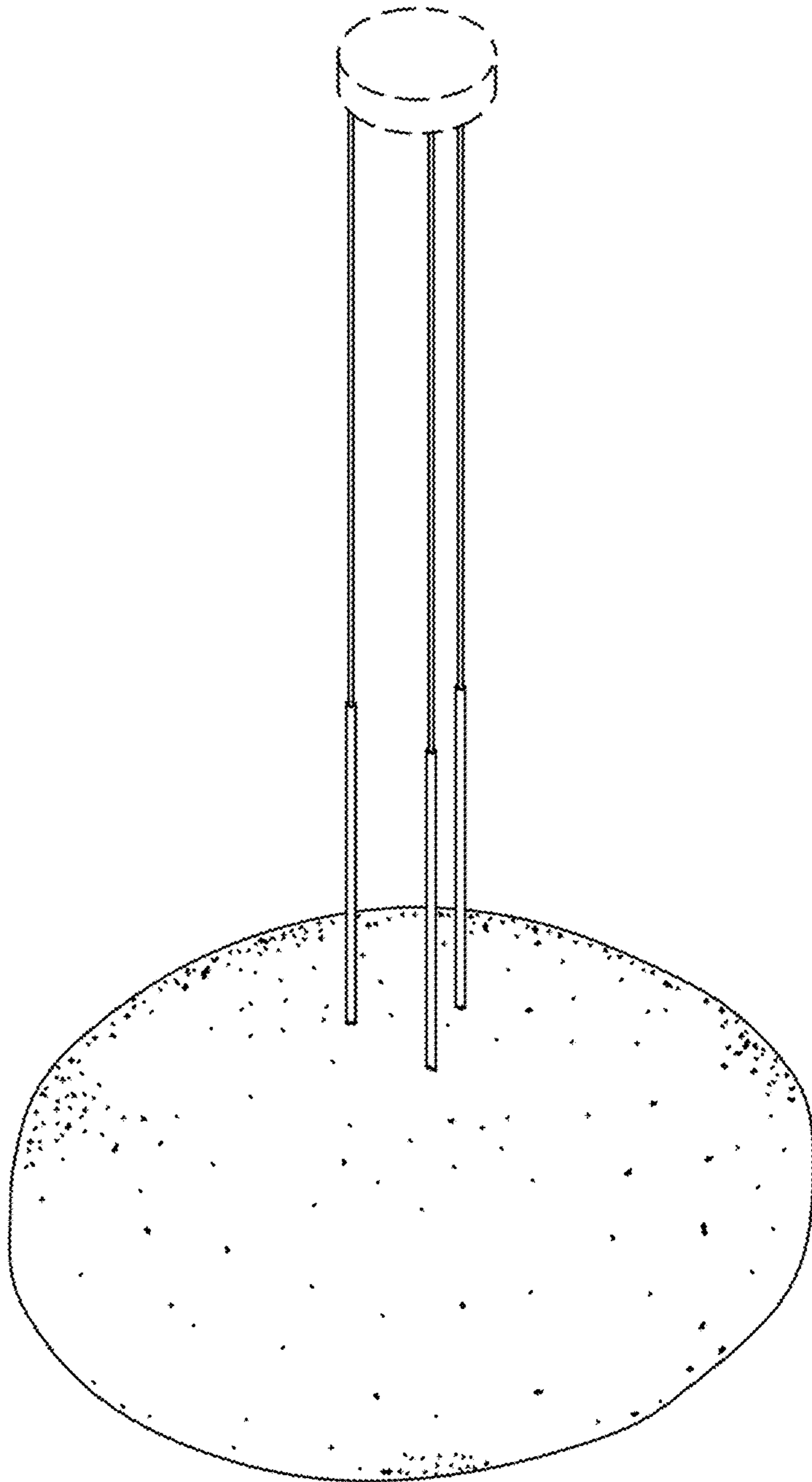
**DESCRIPTION**

1. Chandelier  
fig. 1.1 is a perspective view of the claimed design; fig. 1.2 is a right view thereof; fig. 1.3 is a left view thereof; fig. 1.4 is a front view thereof; fig. 1.5 is a rear view thereof; fig. 1.6 is a top view thereof; fig. 1.7 is a bottom view thereof.  
The broken lines shown in the drawings illustrate environmental structure and form no part of the claimed design.

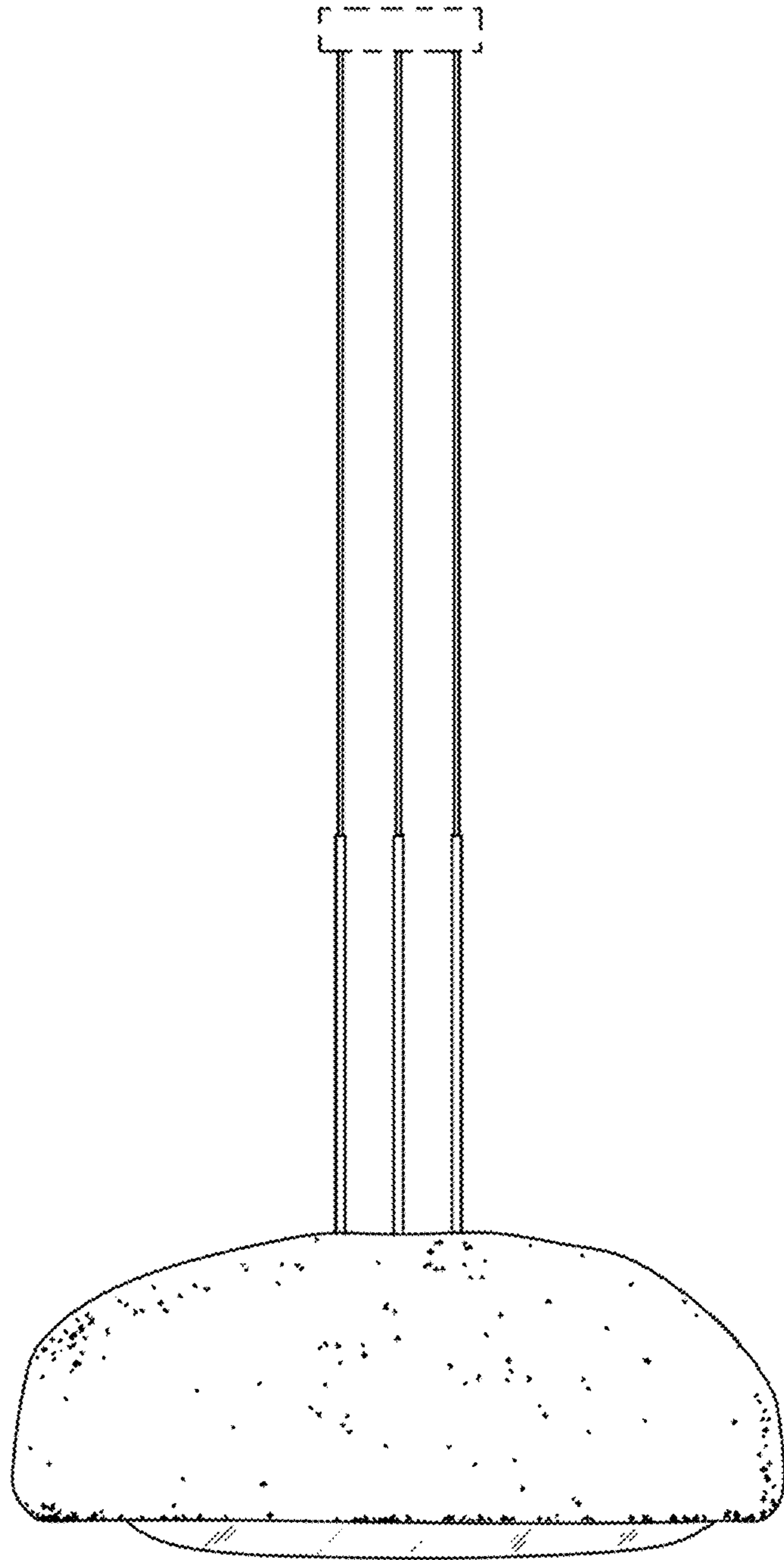
**1 Claim, 7 Drawing Sheets**



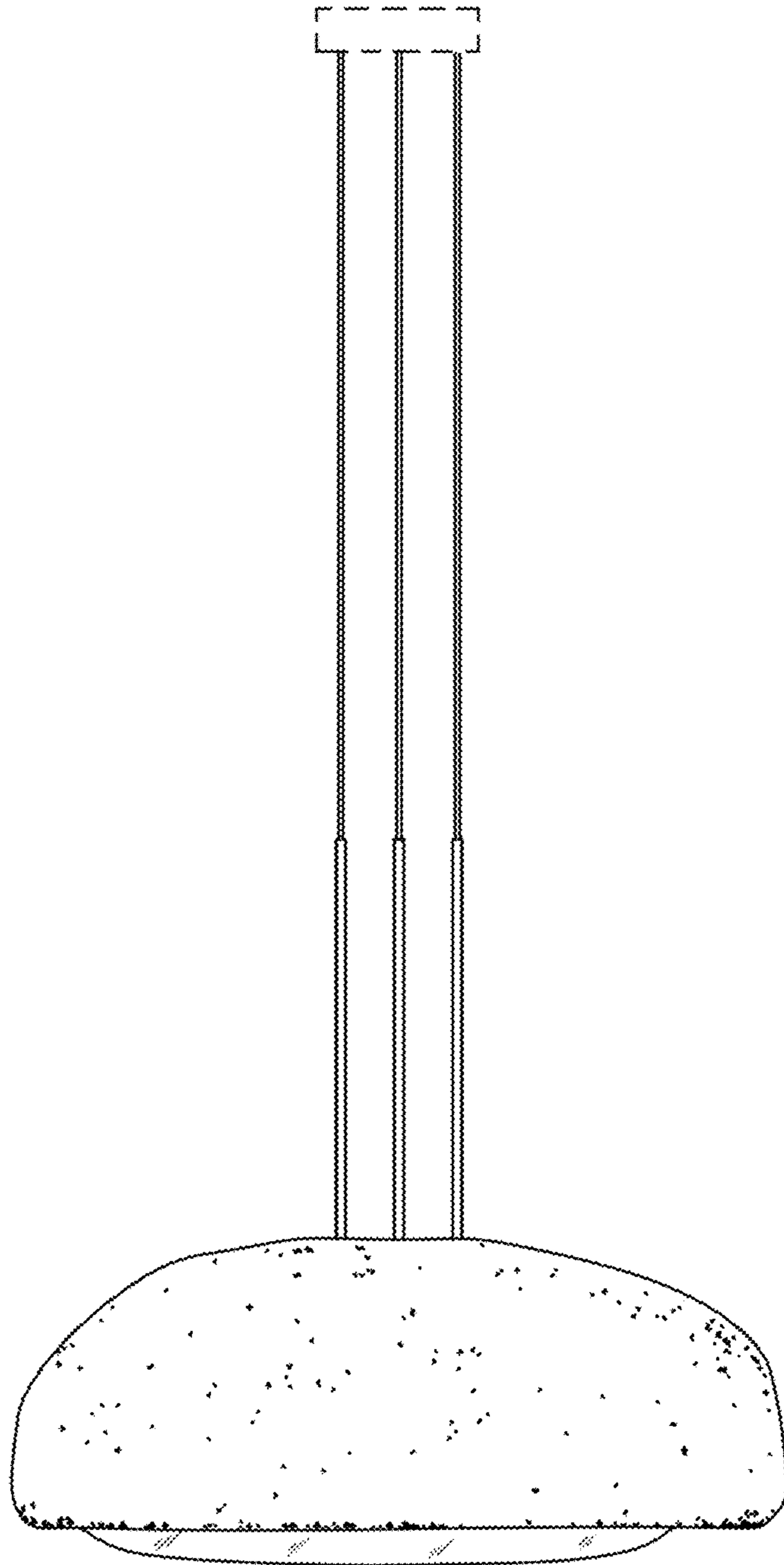
1.1



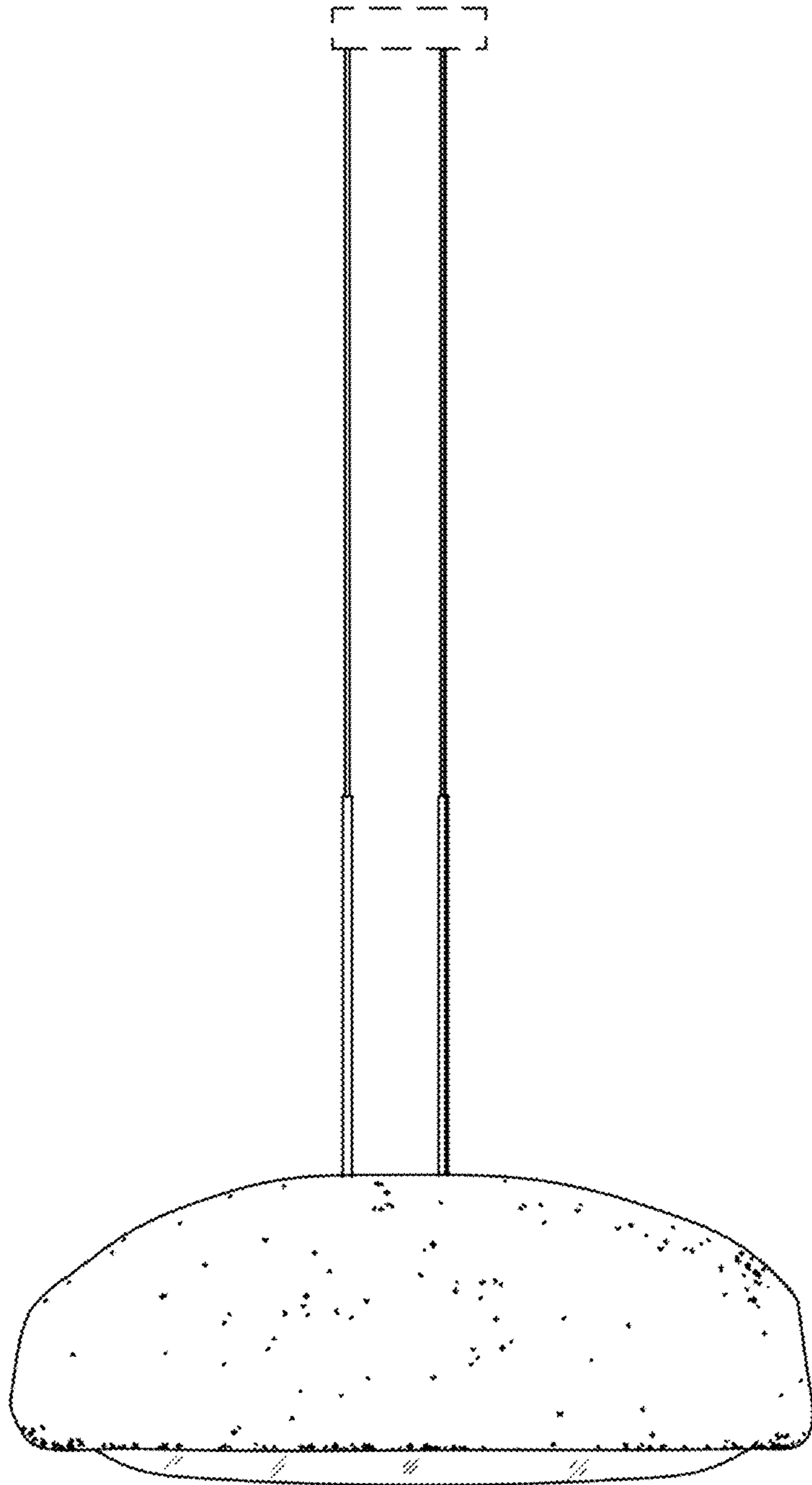
1.2



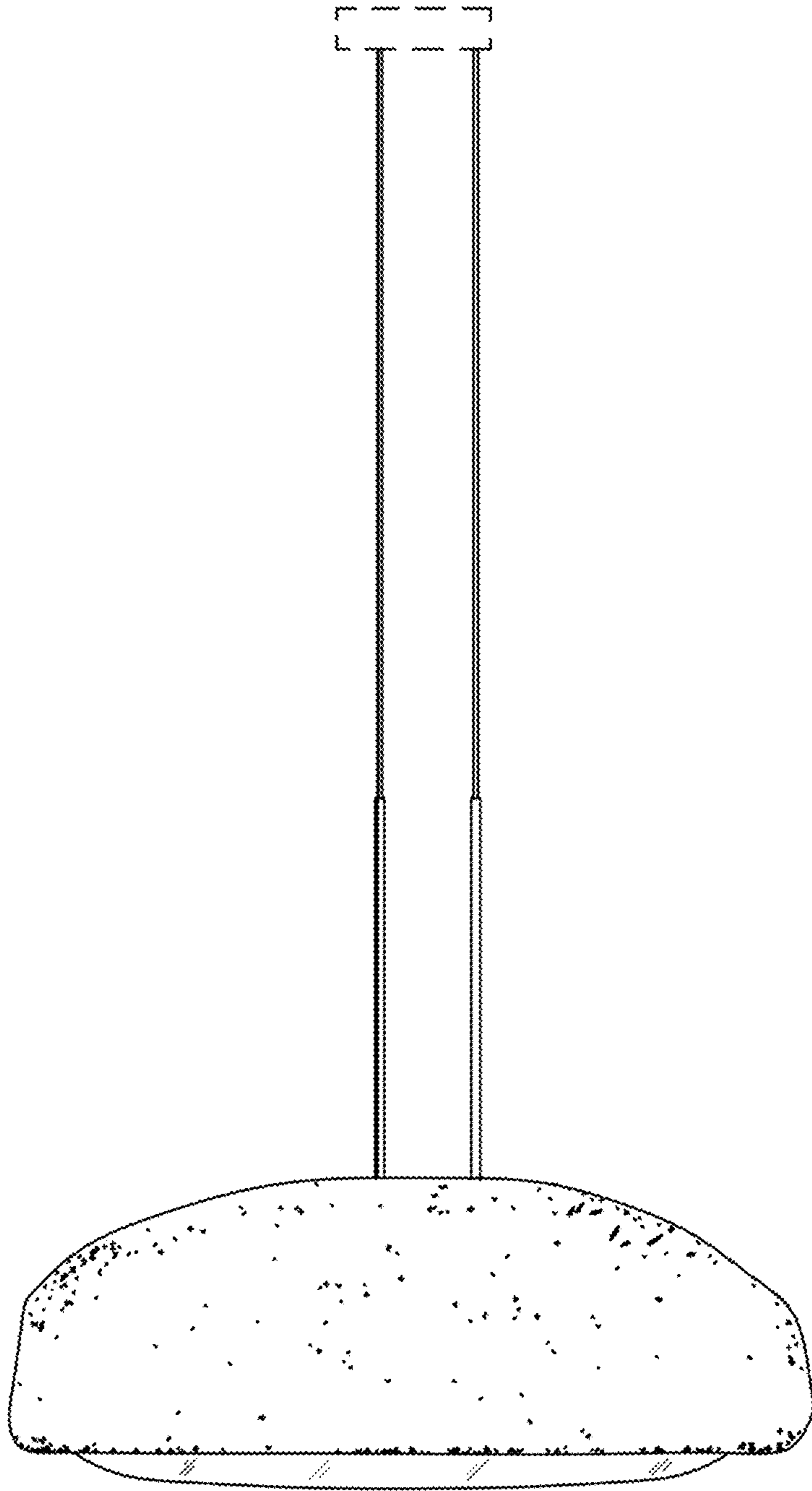
1.3



1.4

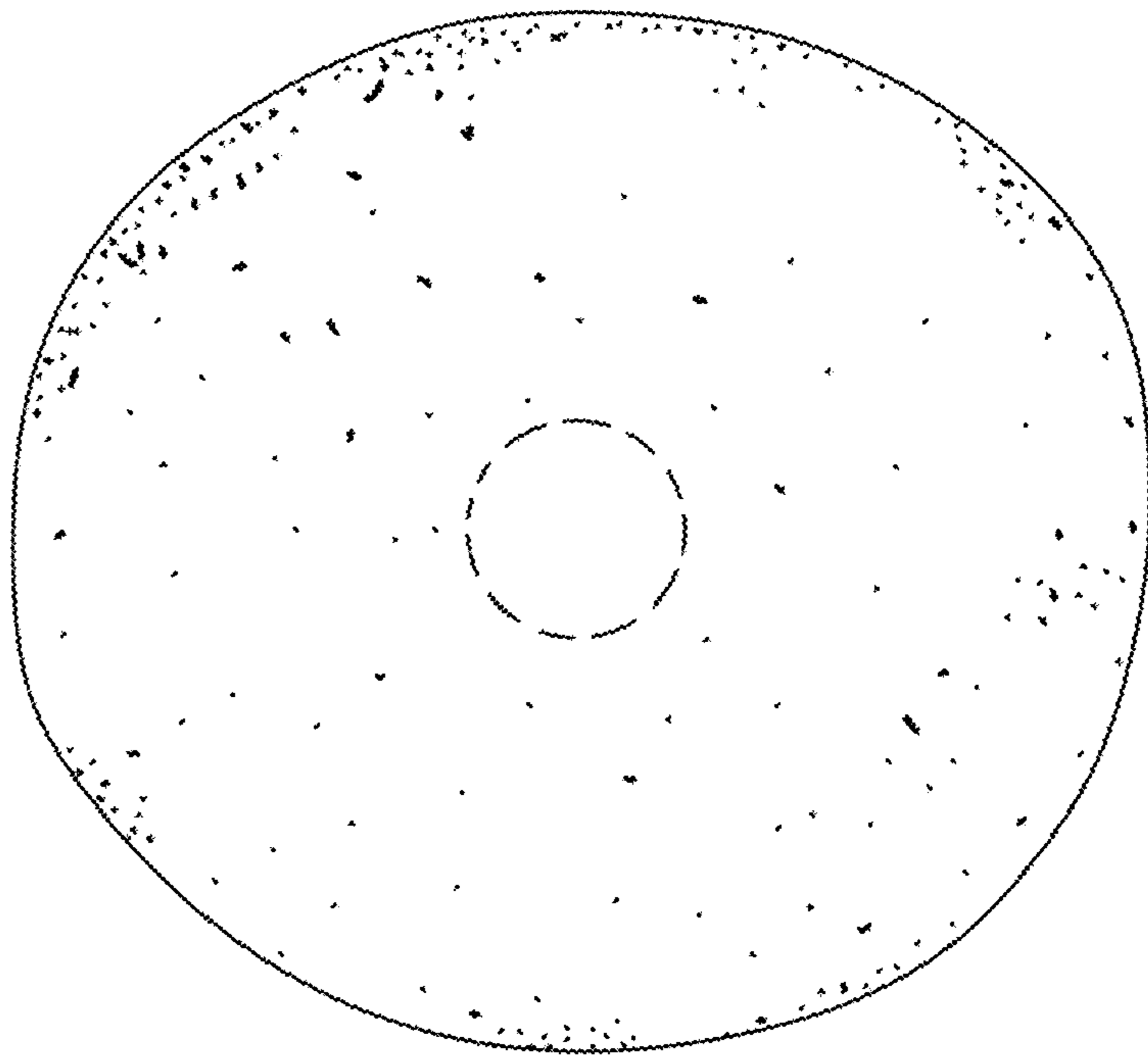


1.5





1.6



1.7

