

US00D973257S

(12) **United States Design Patent** (10) **Patent No.:** **US D973,257 S**
Lissoni (45) **Date of Patent:** **** Dec. 20, 2022**

(54) **WALL LAMP**
(71) Applicant: **ARES S.R.L.—SOCIO UNICO**,
Monza E Brianza (IT)
(72) Inventor: **Piero Lissoni**, Monza E Brianza (IT)
(73) Assignee: **ARES S.R.L.—SOCIO UNICO**,
Monza E Brianza (IT)
(**) Term: **15 Years**
(21) Appl. No.: **35/511,945**
(22) Filed: **May 11, 2021**
(80) **Hague Agreement Data**
Int. Filing Date: **May 11, 2021**
Int. Reg. No.: **DM/214239**
Int. Reg. Date: **May 11, 2021**
Int. Reg. Pub. Date: **May 28, 2021**

D322,140 S * 12/1991 Dacanay D10/111
D403,097 S * 12/1998 Littman D26/87
D441,125 S * 4/2001 Crosby D26/87
D442,317 S * 5/2001 Crosby D26/87
D465,298 S * 11/2002 Gottwald D26/85
D473,967 S * 4/2003 Hoernig D26/82
D487,814 S * 3/2004 Hoernig D26/92
D487,815 S * 3/2004 Hoernig D26/92
D549,383 S * 8/2007 Duggan D26/85
D552,290 S * 10/2007 Duggan D26/85
D553,784 S * 10/2007 Estes D26/92
D558,381 S * 12/2007 Horn D26/85
D564,693 S * 3/2008 Ziliani D26/85
D565,230 S * 3/2008 Hetfield D26/88
D583,976 S * 12/2008 Horn D26/72
D646,426 S * 10/2011 Wolk D26/85
D666,349 S * 8/2012 Sprengers D26/85
D667,159 S * 9/2012 Wauters D26/85
D680,674 S * 4/2013 Jepson D26/87
D694,464 S * 11/2013 Parres D26/133
D694,941 S * 12/2013 Yu D26/87

(Continued)

Primary Examiner — Steven J Czyz
(74) *Attorney, Agent, or Firm* — Thomas | Horstemeyer,
LLP

(30) **Foreign Application Priority Data**
Nov. 12, 2020 (IT) 402020000003296
(51) **LOC (13) Cl.** **26-05**
(52) **U.S. Cl.**
USPC **D26/87**
(58) **Field of Classification Search**
USPC D26/24, 72, 80, 85, 86, 87, 88
CPC F21S 8/00; F21S 8/033; F21S 8/024; F21S
8/03; F21S 13/02; F21W 2121/004;
F21W 2131/107
See application file for complete search history.

(57) **CLAIM**

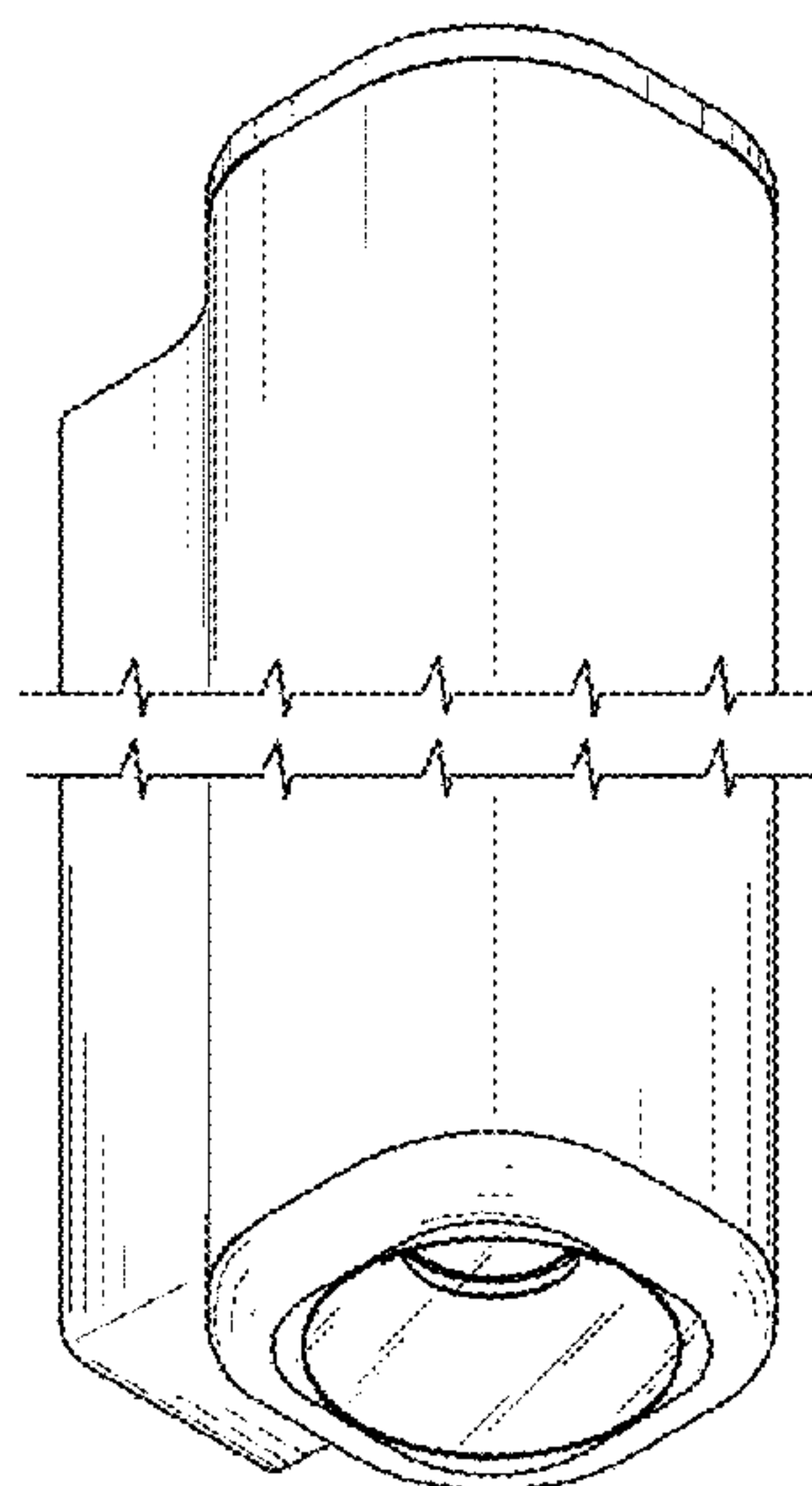
The ornamental design for a wall lamp, as shown and described.

DESCRIPTION

1.1 is a bottom perspective view of a wall lamp, showing my new design;
1.2 is a top perspective view thereof;
1.3 is a front view thereof;
1.4 is a left view thereof;
1.5 is a right view thereof;
1.6 is bottom view thereof; and
1.7 is a top view thereof.
The wall lamp is shown with a symbolic break in its length. The appearance of any portion of the article between the break lines forms no part of the claimed design

(56) **References Cited**
U.S. PATENT DOCUMENTS
D113,125 S * 1/1939 Stewart et al. D26/76
D213,279 S * 1/1969 Bernadotte et al. D26/80
D294,739 S * 3/1988 Joerger D26/87

1 Claim, 7 Drawing Sheets



(56)

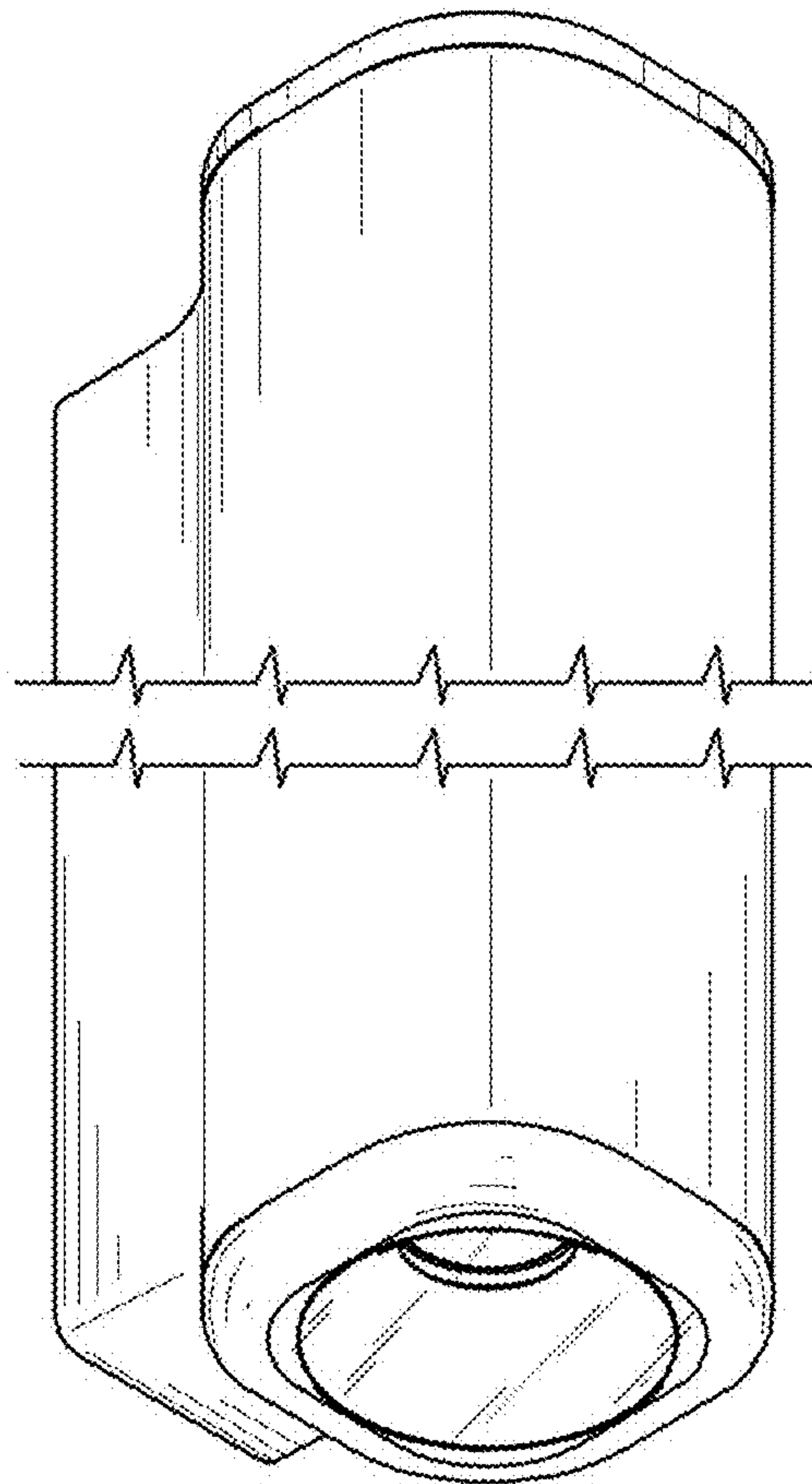
References Cited

U.S. PATENT DOCUMENTS

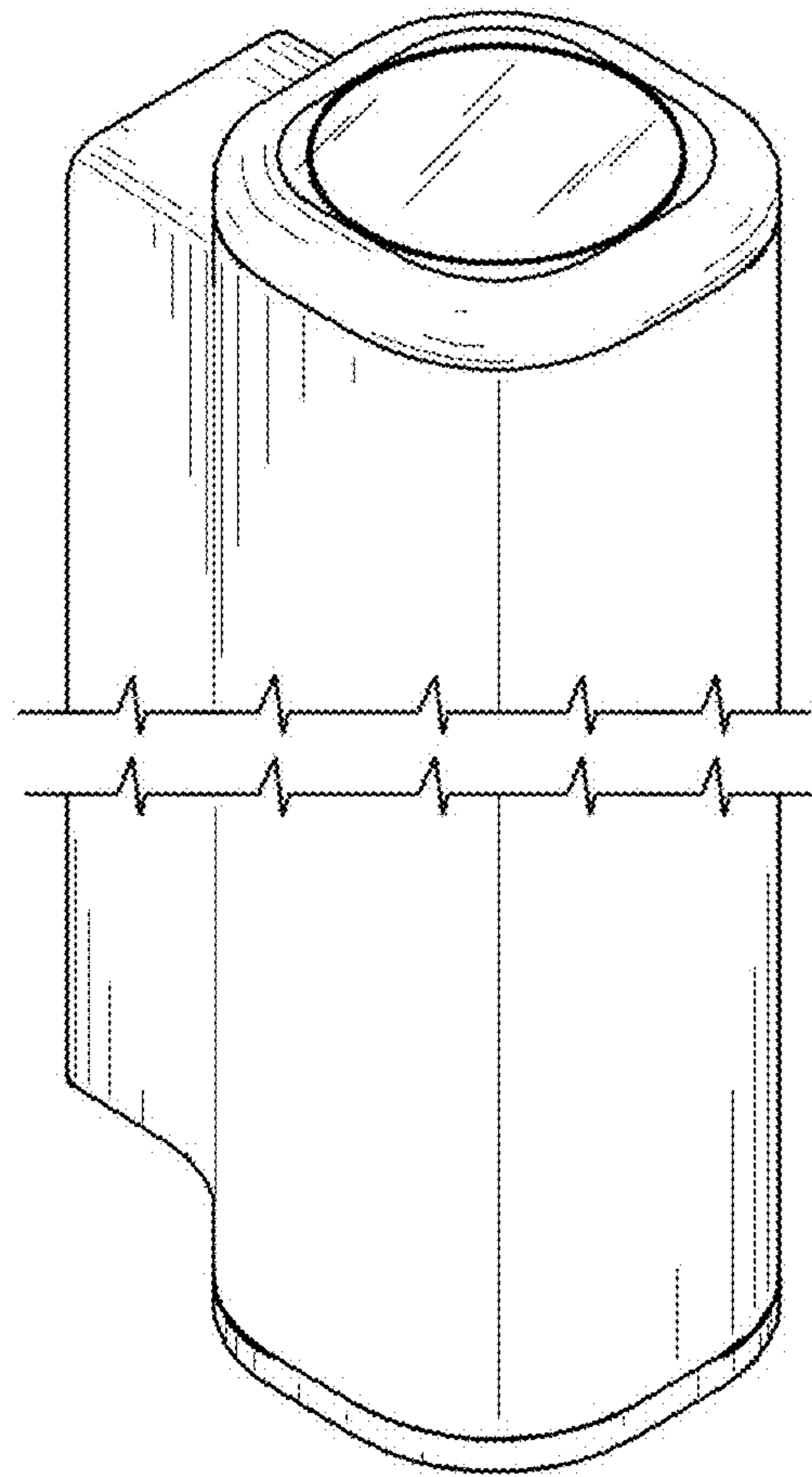
D697,659 S *	1/2014	Sabernig	D26/87	D844,581 S *	4/2019	Zhou	D14/240
D697,660 S *	1/2014	Sabernig	D26/87	D845,534 S *	4/2019	Van Duysen	D26/87
D697,661 S *	1/2014	Sabernig	D26/80	D845,535 S *	4/2019	Van Duysen	D26/137
D731,694 S *	6/2015	Tomlinson	D26/128	D845,536 S *	4/2019	Van Duysen	D26/137
D754,905 S *	4/2016	Colombo	D26/85	D863,648 S *	10/2019	Amato	D26/87
D760,939 S *	7/2016	Hoang	D26/85	D866,843 S *	11/2019	Benghozi	D26/87
D783,882 S *	4/2017	Dolan	D26/87	D867,101 S *	11/2019	Minale	D8/307
D802,200 S *	11/2017	Sonneman	D26/87	D881,441 S *	4/2020	Van Den Akker	D26/137
D807,555 S *	1/2018	Harbs	D26/73	D888,318 S *	6/2020	Amato	D26/87
D810,344 S *	2/2018	Verelst	D26/72	D890,369 S *	7/2020	Mishim	D26/24
D813,435 S *	3/2018	Verelst	D26/71	D895,171 S *	9/2020	Broom	D26/2
D813,437 S *	3/2018	Verelst	D26/72	D908,946 S *	1/2021	Lainez	D26/87
D821,628 S *	6/2018	Amato	D26/87	D910,219 S *	2/2021	Frost	D26/63
D824,076 S *	7/2018	Sonneman	D26/86	D913,561 S *	3/2021	Yang	D26/85
D828,608 S *	9/2018	Botti	D26/85	D934,483 S *	10/2021	Ou	D26/80
D833,056 S *	11/2018	Sonneman	D26/86	D938,092 S *	12/2021	Amato	D26/85
D836,820 S *	12/2018	Sonneman	D26/86	D941,518 S *	1/2022	Van Duysen	D26/87
D838,402 S *	1/2019	Sonneman	D26/86	D945,680 S *	3/2022	Esteve Cambra	D26/80
					2003/0174500 A1 *	9/2003	Kameda	F21V 1/14 362/240

* cited by examiner

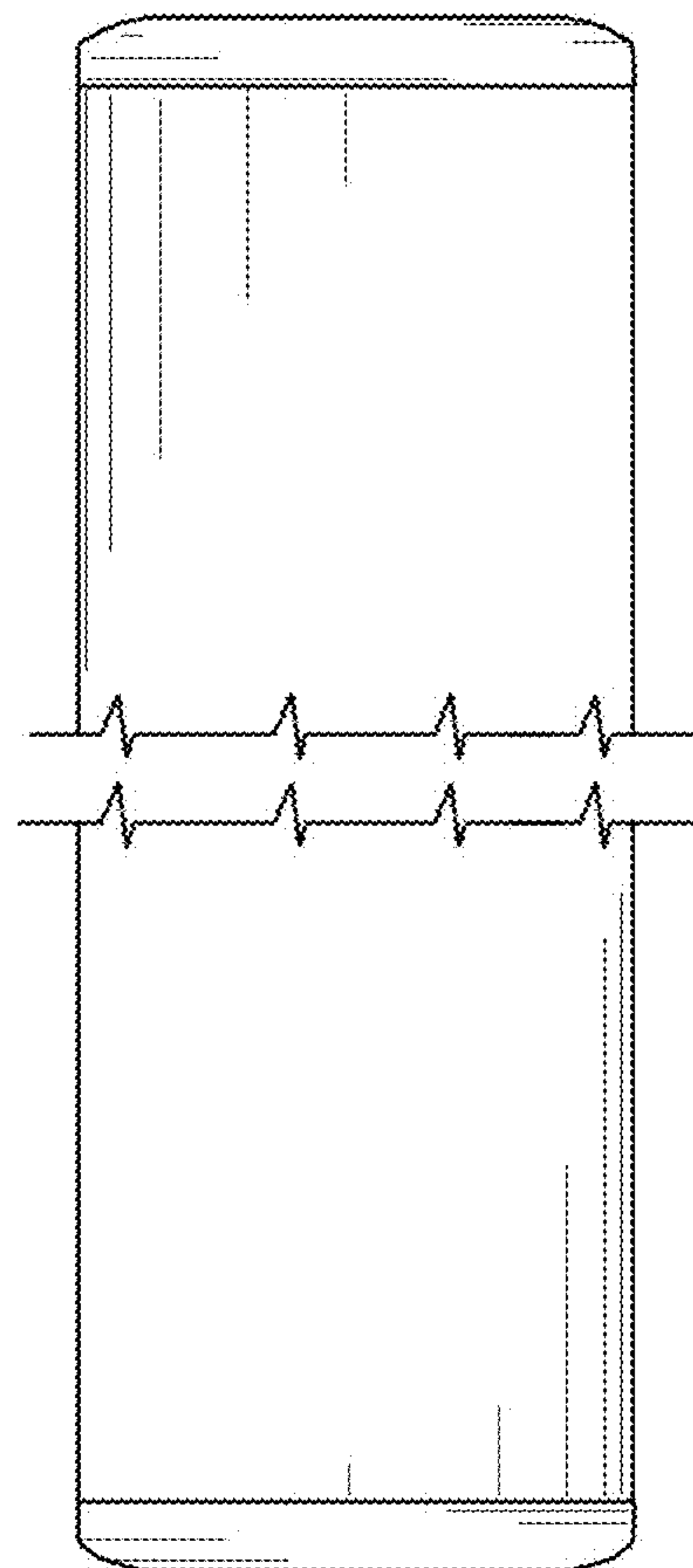
1.1



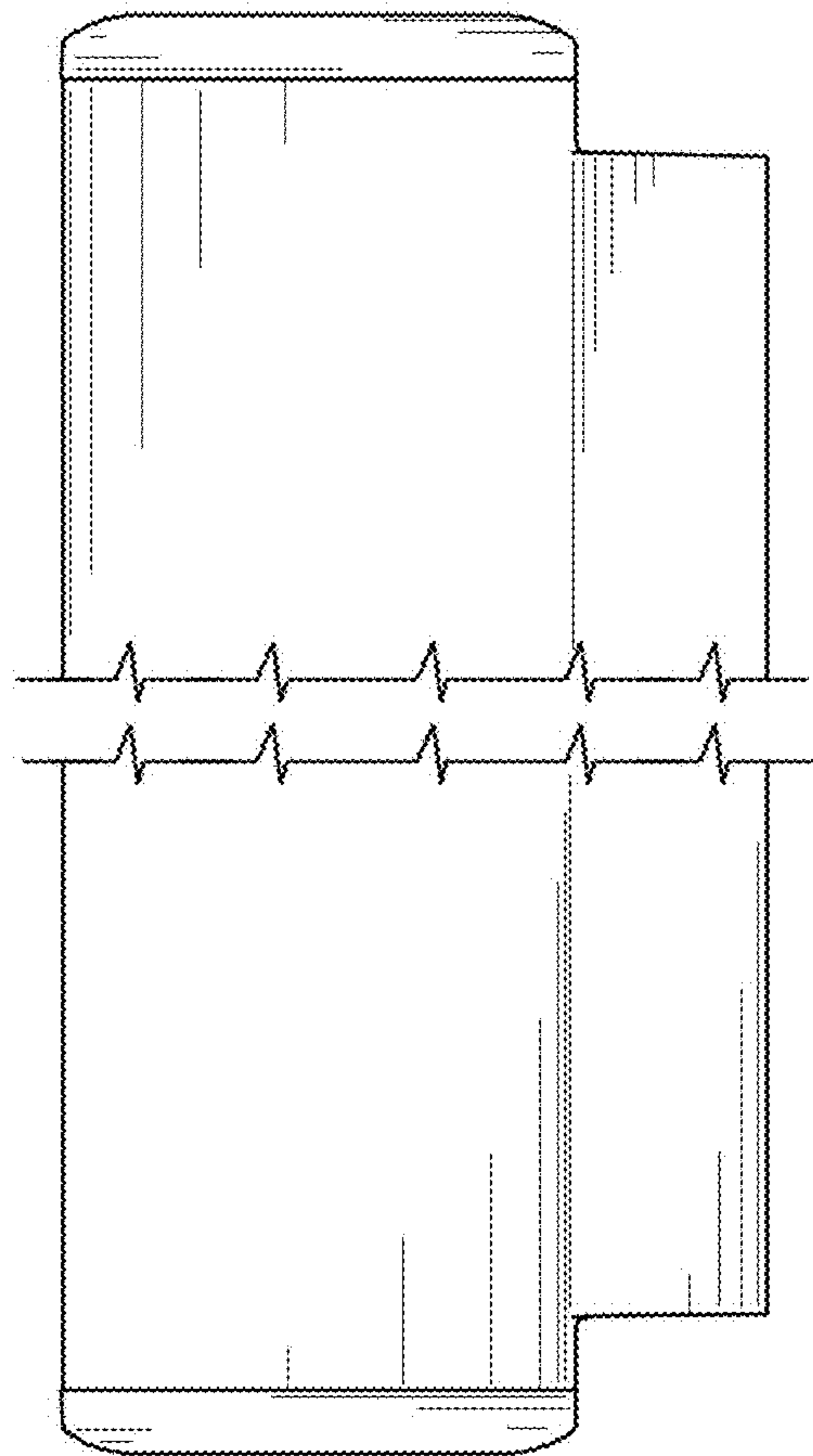
1.2



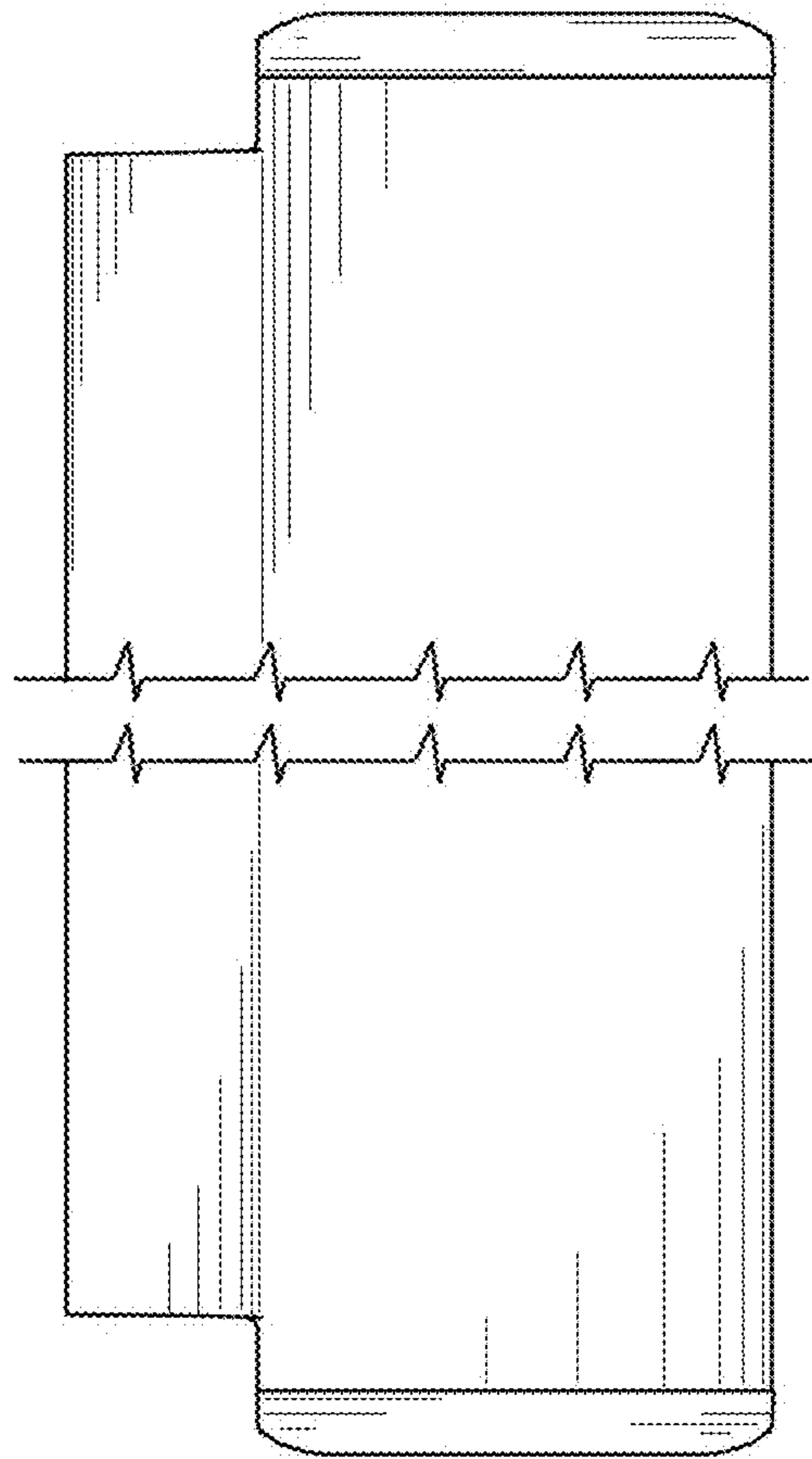
1.3



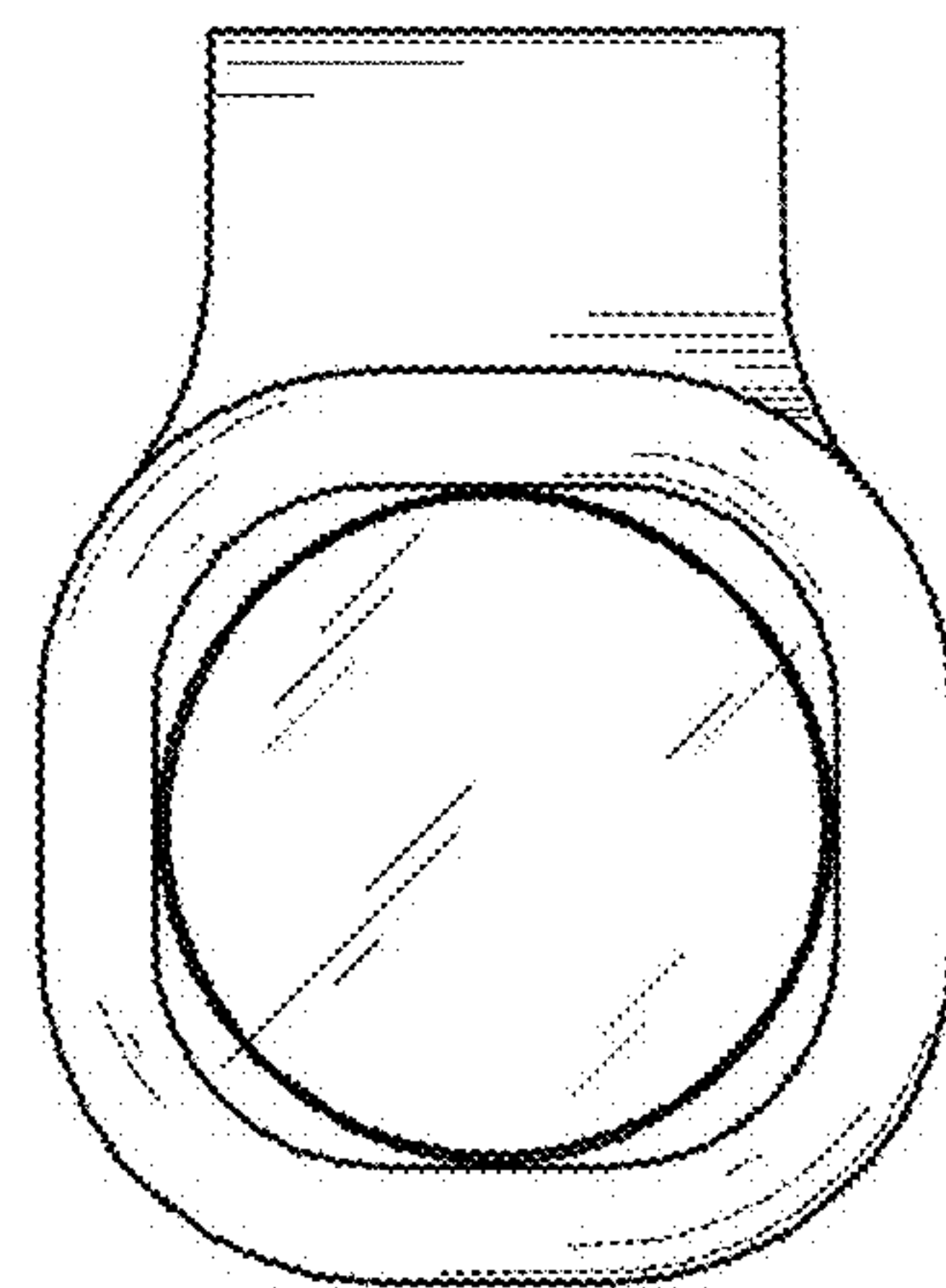
1.4



1.5



1.6



1.7

