



US00D973256S

(12) **United States Design Patent** (10) **Patent No.:** **US D973,256 S**
Lissoni (45) **Date of Patent:** **** Dec. 20, 2022**

(54) **WALL LAMP**
(71) Applicant: **ARES S.R.L.—SOCIO UNICO**,
Monza E Brianza (IT)
(72) Inventor: **Piero Lissoni**, Monza E Brianza (IT)
(73) Assignee: **ARES S.r.L.—SOCIO UNICO**, Monza
E Brianza (IT)
(**) Term: **15 Years**
(21) Appl. No.: **35/511,944**
(22) Filed: **May 11, 2021**
(80) **Hague Agreement Data**
Int. Filing Date: **May 11, 2021**
Int. Reg. No.: **DM/214234**
Int. Reg. Date: **May 11, 2021**
Int. Reg. Pub. Date: **May 28, 2021**

D322,140 S * 12/1991 Dacanay D10/111
D403,097 S * 12/1998 Littman D26/87
D441,125 S * 4/2001 Crosby D26/87
D442,317 S * 5/2001 Crosby D26/87
D465,298 S * 11/2002 Gottwald D26/85
D473,967 S * 4/2003 Hoernig D26/82
D487,814 S * 3/2004 Hoernig D26/92
D487,815 S * 3/2004 Hoernig D26/92
D549,383 S * 8/2007 Duggan D26/85
D552,290 S * 10/2007 Duggan D26/85
D553,784 S * 10/2007 Estes D26/92
D558,381 S * 12/2007 Horn D26/85
D564,693 S * 3/2008 Ziliani D26/85
D565,230 S * 3/2008 Hetfield D26/88
D583,976 S * 12/2008 Horn D26/72
D646,426 S * 10/2011 Wolk D26/85
D666,349 S * 8/2012 Sprengers D26/85
D667,159 S * 9/2012 Wauters D26/85
D680,674 S * 4/2013 Jepson D26/87
D694,464 S * 11/2013 Parres D26/133
D694,941 S * 12/2013 Yu D26/87

(Continued)

Primary Examiner — Steven J Czyz
(74) Attorney, Agent, or Firm — Thomas | Horstemeyer,
LLP

(30) **Foreign Application Priority Data**
Nov. 12, 2020 (IT) 402020000003296
(51) **LOC (13) Cl.** **26-05**
(52) **U.S. Cl.**
USPC **D26/87**
(58) **Field of Classification Search**
USPC D26/24, 72, 80, 85, 86, 87, 88
CPC F21S 8/00; F21S 8/033; F21S 8/024; F21S
8/03; F21S 13/02; F21W 2121/004;
F21W 2131/107
See application file for complete search history.

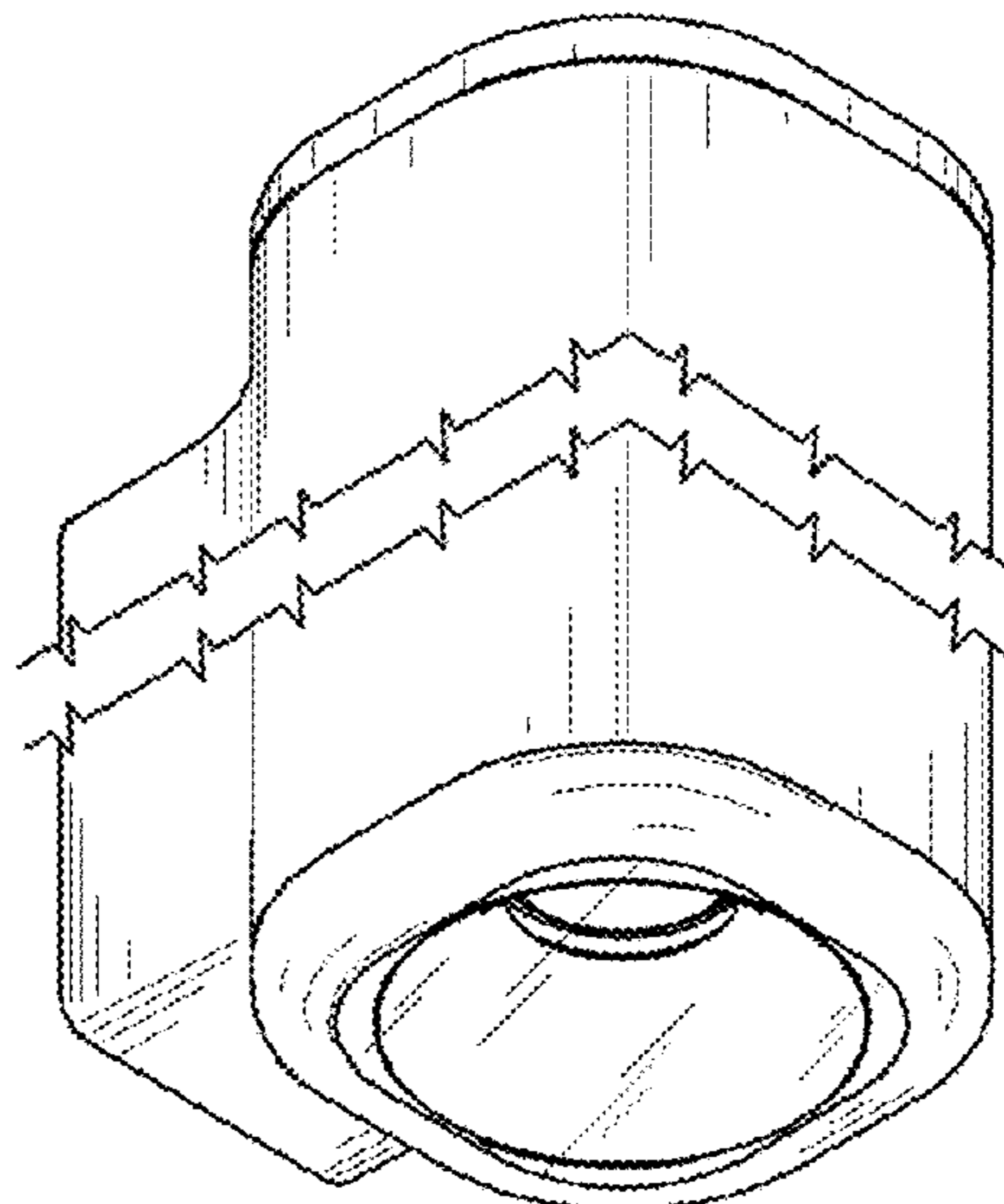
(57) **CLAIM**
The ornamental design for a wall lamp, as shown and
described.

DESCRIPTION

1.1 is a bottom perspective view of a wall lamp, showing my
new design;
1.2 is a top perspective view thereof;
1.3 is a front view thereof;
1.4 is a left view thereof;
1.5 is a right view thereof;
1.6 is bottom view thereof; and
1.7 is a top view thereof.
The wall lamp is shown with a symbolic break in its length.
The appearance of any portion of the article between the
break lines forms no part of the claimed design

(56) **References Cited**
U.S. PATENT DOCUMENTS
D113,125 S * 1/1939 Stewart et al. D26/76
D213,279 S * 1/1969 Bernadotte et al. D26/80
D294,739 S * 3/1988 Joerger D26/87

1 Claim, 7 Drawing Sheets



(56)

References Cited

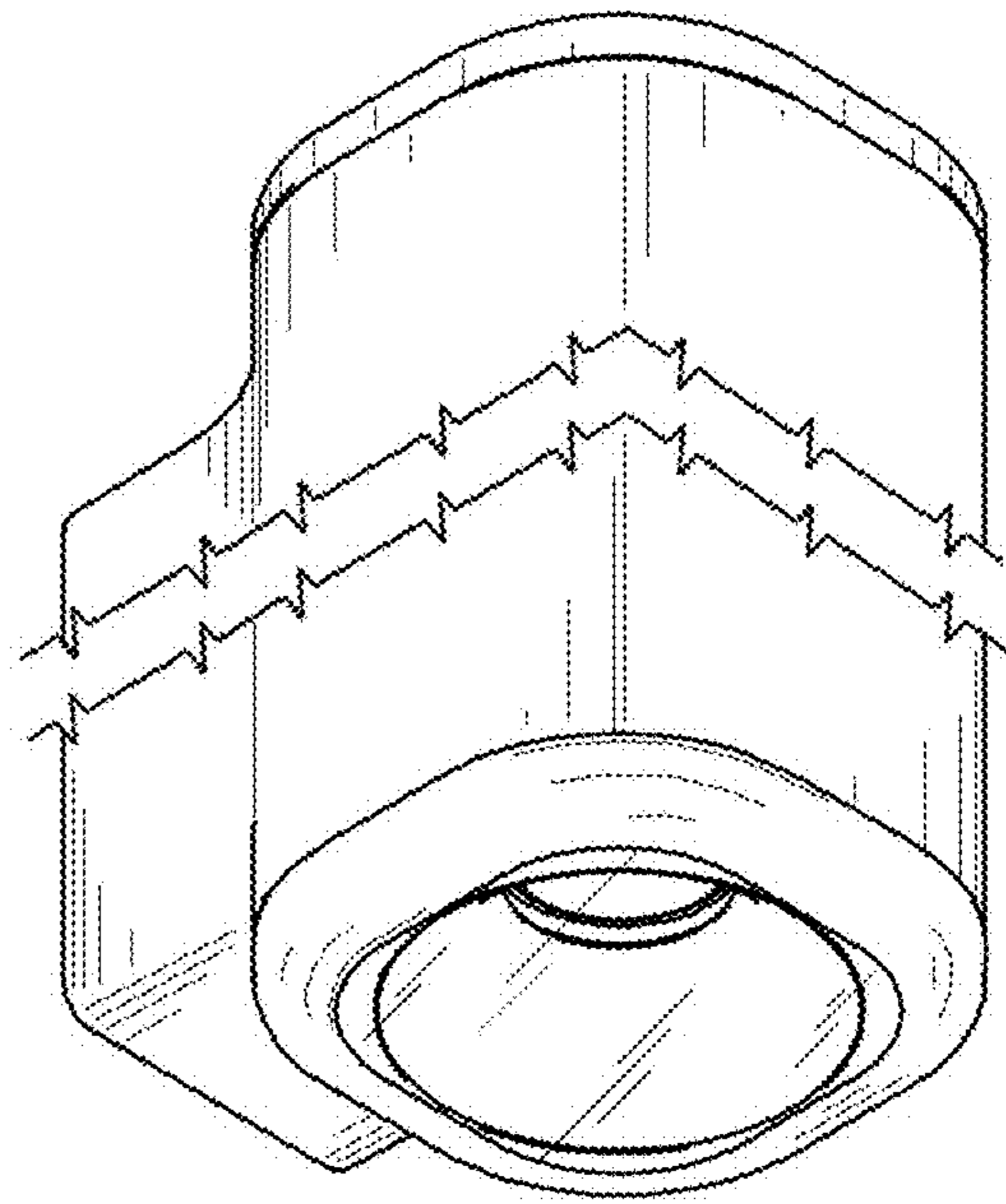
U.S. PATENT DOCUMENTS

D697,659 S * 1/2014 Sabernig D26/87
 D697,660 S * 1/2014 Sabernig D26/87
 D697,661 S * 1/2014 Sabernig D26/80
 D731,694 S * 6/2015 Tomlinson D26/128
 D754,905 S * 4/2016 Colombo D26/85
 D760,939 S * 7/2016 Hoang D26/85
 D783,882 S * 4/2017 Dolan D26/87
 D802,200 S * 11/2017 Sonneman D26/87
 D807,555 S * 1/2018 Harbs D26/73
 D810,344 S * 2/2018 Verelst D26/72
 D813,435 S * 3/2018 Verelst D26/71
 D813,437 S * 3/2018 Verelst D26/72
 D821,628 S * 6/2018 Amato D26/87
 D824,076 S * 7/2018 Sonneman D26/86
 D828,608 S * 9/2018 Botti D26/85
 D833,056 S * 11/2018 Sonneman D26/86
 D836,820 S * 12/2018 Sonneman D26/86
 D838,402 S * 1/2019 Sonneman D26/86

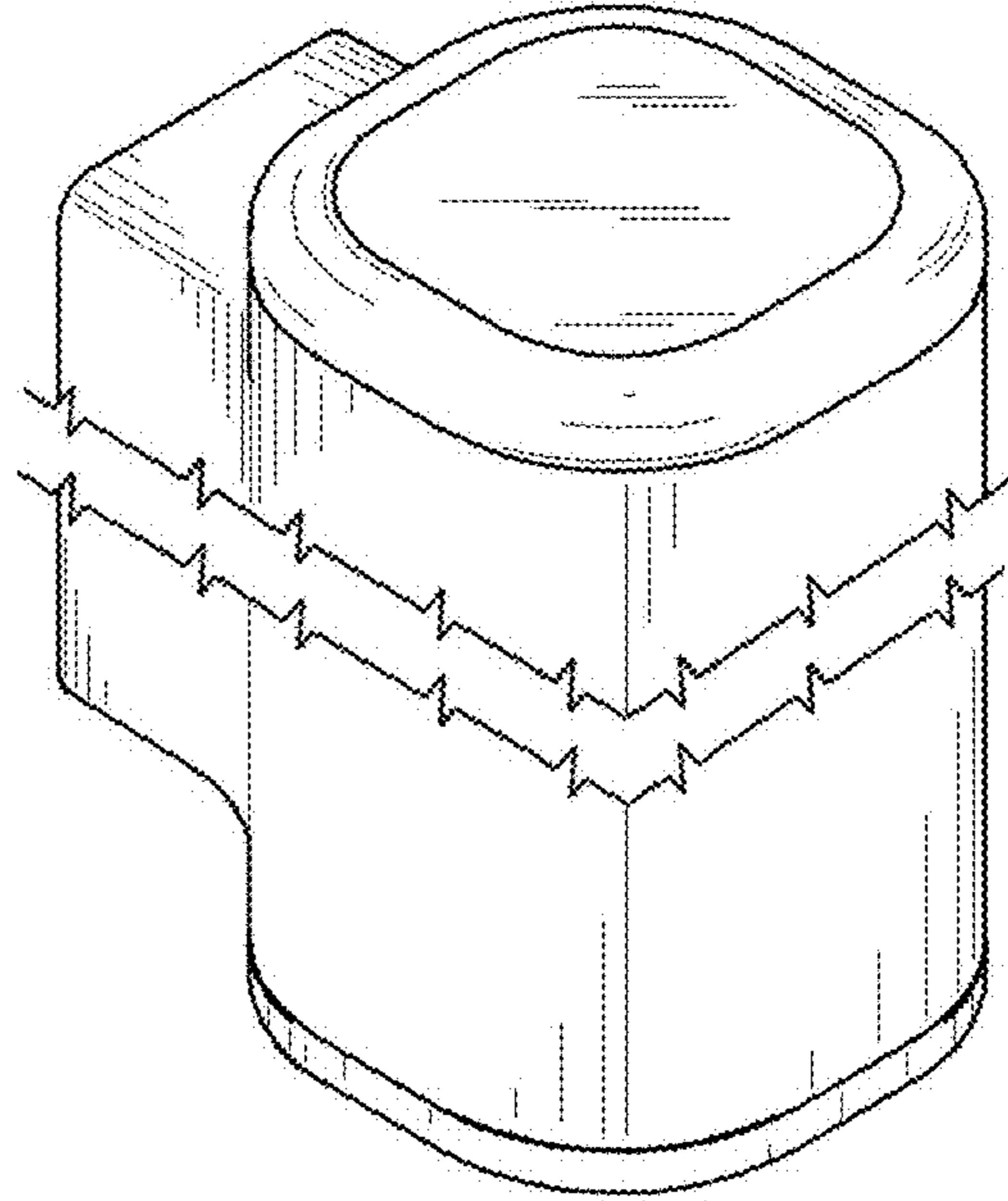
D844,581 S * 4/2019 Zhou D14/240
 D845,534 S * 4/2019 Van Duysen D26/87
 D845,535 S * 4/2019 Van Duysen D26/137
 D845,536 S * 4/2019 Van Duysen D26/137
 D863,648 S * 10/2019 Amato D26/87
 D866,843 S * 11/2019 Benghozi D26/87
 D867,101 S * 11/2019 Minale D8/307
 D881,441 S * 4/2020 Van Den Akker D26/137
 D888,318 S * 6/2020 Amato D26/87
 D890,369 S * 7/2020 Mishim D26/24
 D895,171 S * 9/2020 Broom D26/2
 D908,946 S * 1/2021 Lainez D26/87
 D910,219 S * 2/2021 Frost D26/63
 D913,561 S * 3/2021 Yang D26/85
 D934,483 S * 10/2021 Ou D26/80
 D938,092 S * 12/2021 Amato D26/85
 D941,518 S * 1/2022 Van Duysen D26/87
 D945,680 S * 3/2022 Esteve Cambra D26/80
 2003/0174500 A1 * 9/2003 Kameda F21V 1/14
 362/240

* cited by examiner

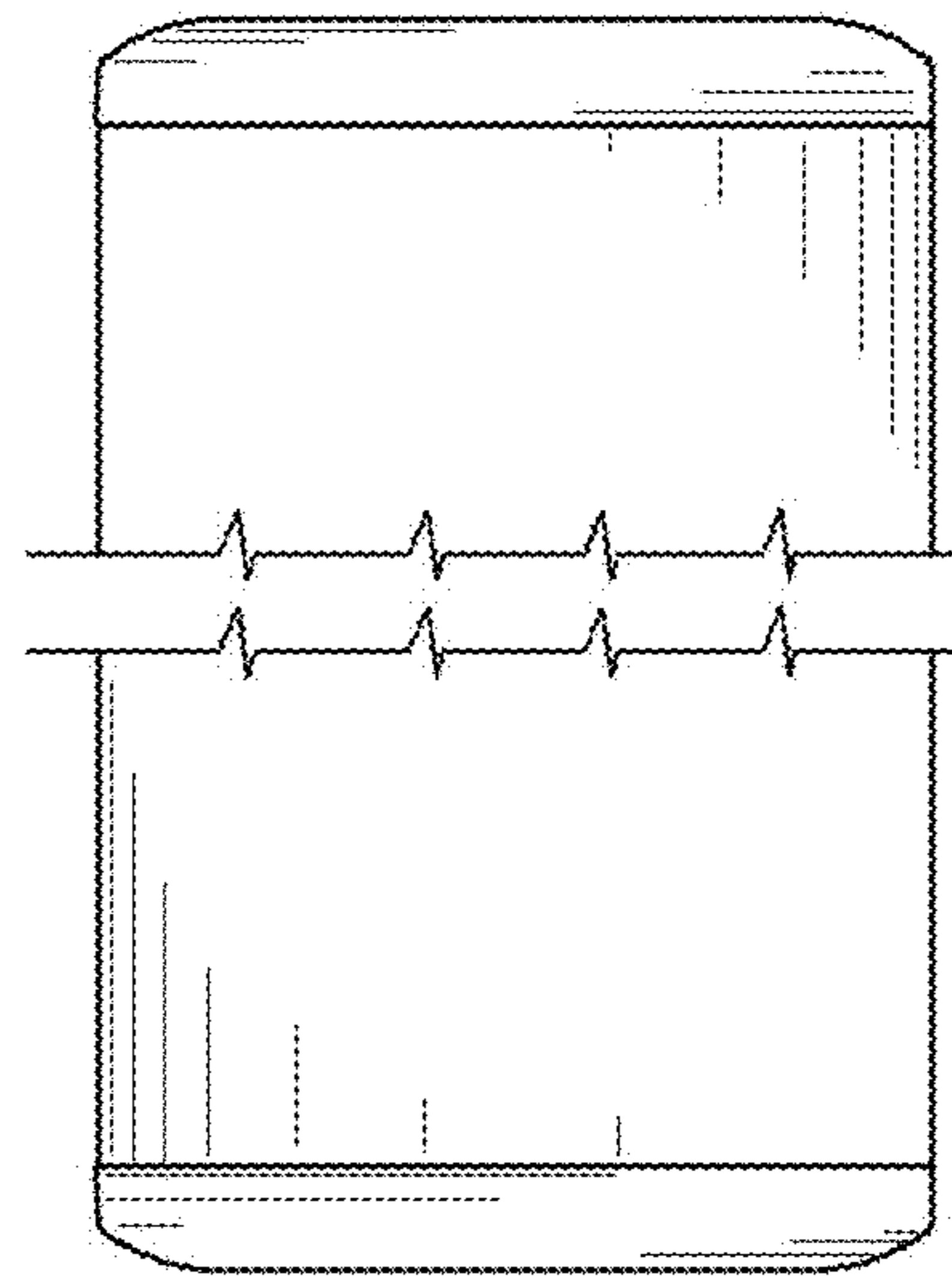
1.1



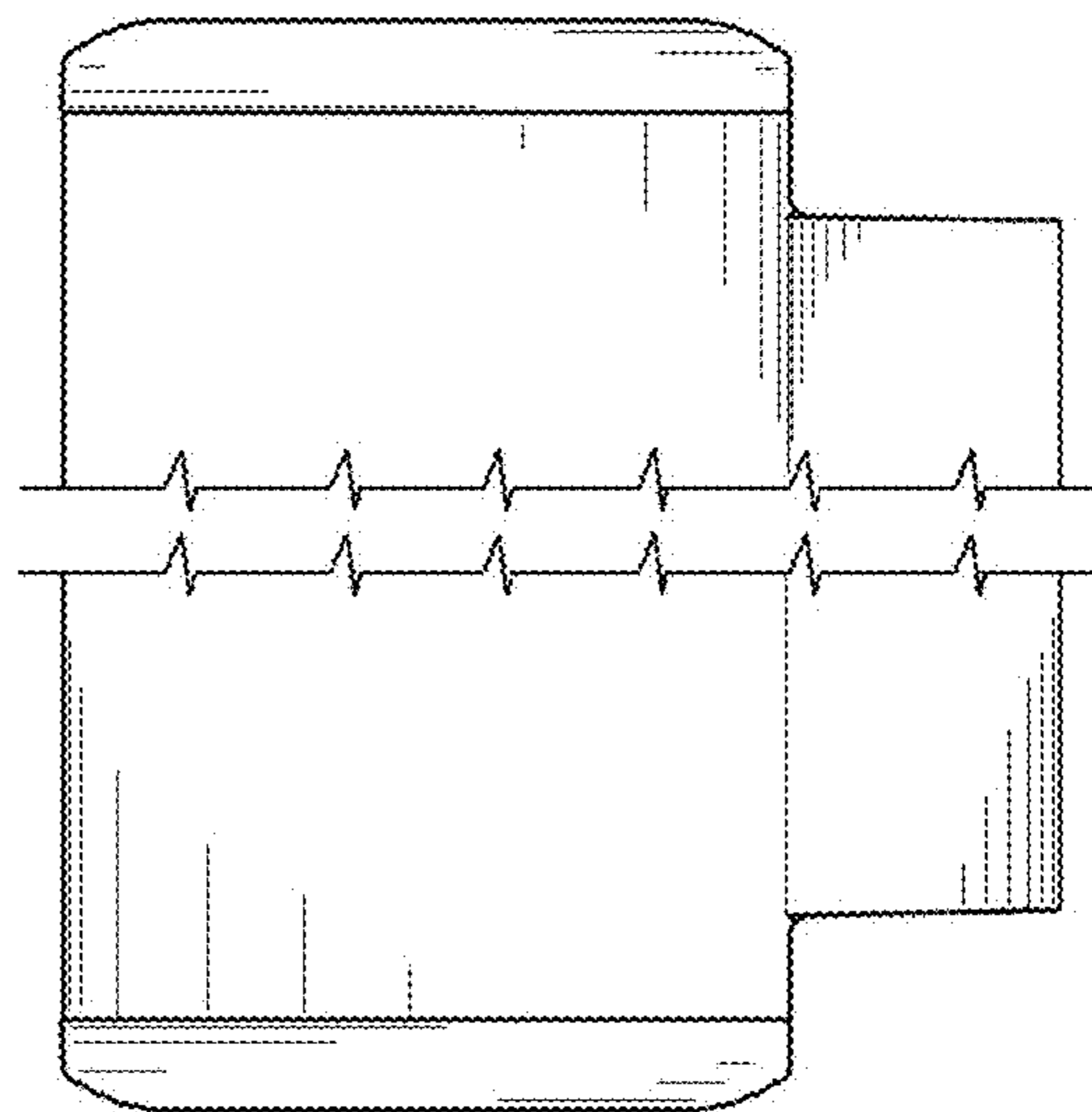
1.2



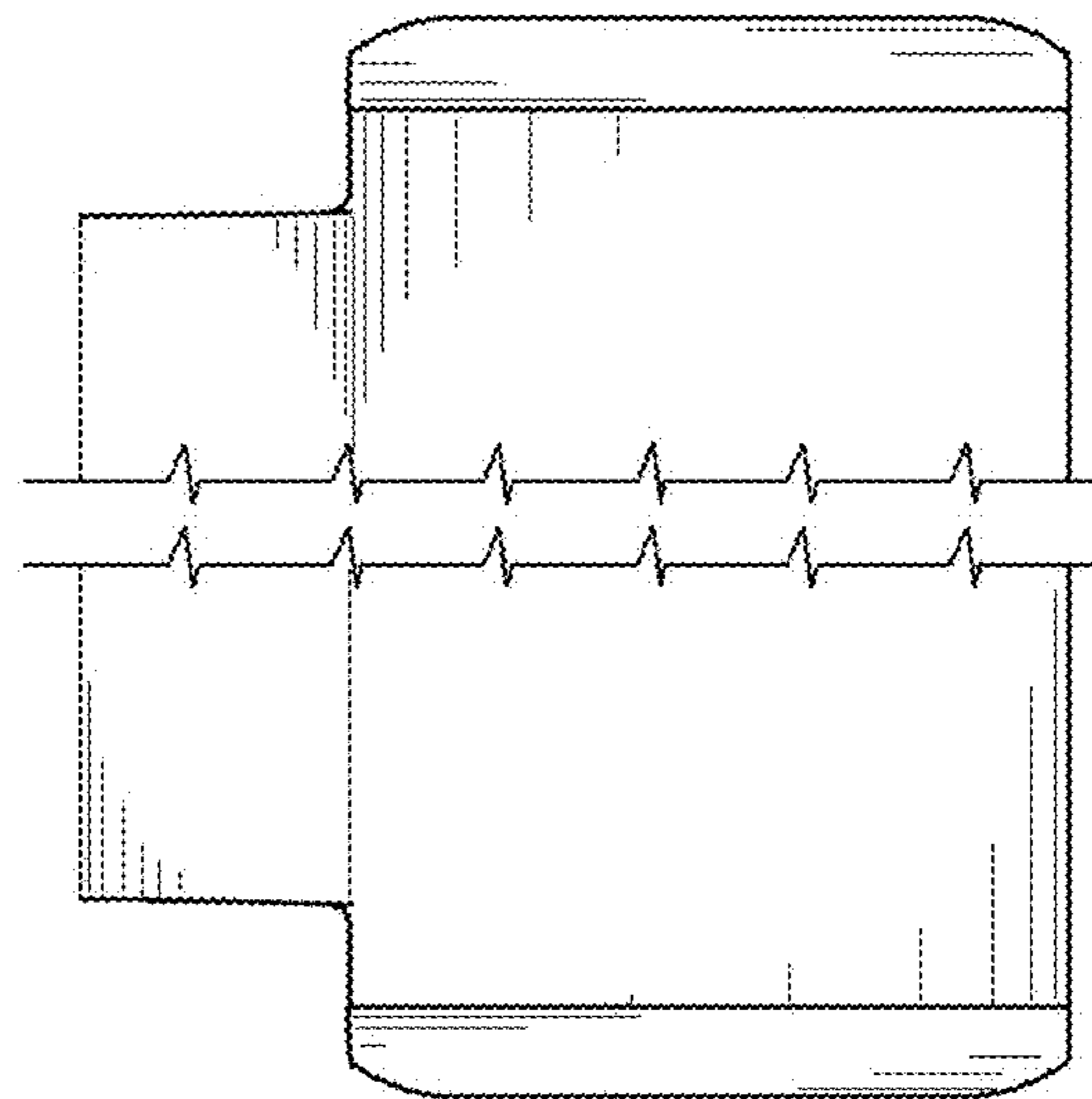
1.3



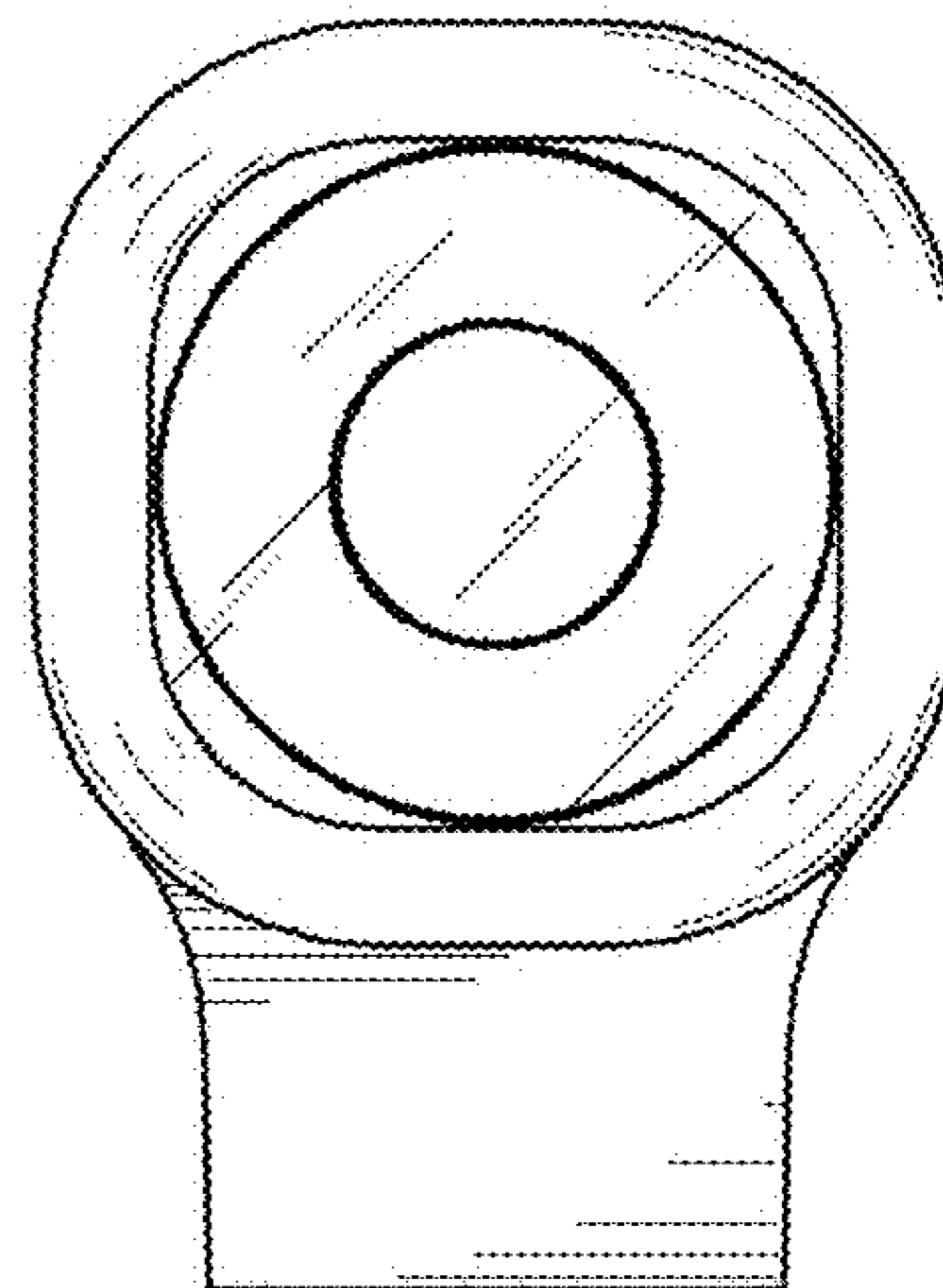
1.4



1.5



1.6



1.7

