



US00D973255S

(12) **United States Design Patent**
Zhang

(10) **Patent No.:** **US D973,255 S**

(45) **Date of Patent:** **** Dec. 20, 2022**

(54) **VANITY LIGHT**

(71) Applicant: **Xudong Zhang**, Shiyan (CN)

(72) Inventor: **Xudong Zhang**, Shiyan (CN)

(**) Term: **15 Years**

(21) Appl. No.: **29/791,949**

(22) Filed: **Feb. 21, 2022**

(51) **LOC (13) Cl.** **26-03**

(52) **U.S. Cl.**

USPC **D26/87**; D26/86; D26/80

(58) **Field of Classification Search**

USPC D26/72, 80, 85, 86, 87, 92

CPC .. F21S 8/033; F21S 8/035; F21S 8/036; F21S

8/046

See application file for complete search history.

(56) **References Cited**

U.S. PATENT DOCUMENTS

D411,030 S	6/1999	Chen	
D501,572 S *	2/2005	Lee	D26/80
D514,730 S *	2/2006	Lo	D26/87
D551,380 S *	9/2007	De'Armond	D26/80
D558,383 S *	12/2007	Bickler	D26/63
D564,696 S *	3/2008	Hetfield	D26/88
D575,437 S *	8/2008	Bickler	D26/86
D882,149 S *	4/2020	Lin	D26/86
D906,577 S *	12/2020	Gardner	D26/80
D934,483 S *	10/2021	Ou	D26/80
D958,438 S *	7/2022	Shen	D26/86
2013/0077295 A1 *	3/2013	Hayashi	H01L 33/00 362/217.05

OTHER PUBLICATIONS

Possini Euro Wrapped Wire 22" Wide Gold Vanity Bath Light, ASIN: B0000TVFTG. Available from amazon.com Mar. 19, 2019. (Year: 2019).*

Linea di Liara Effimero Modern Brushed Nickel Bathroom Light Fixture ASIN: B07F71DG2Q. Available from amazon.com Jul. 2, 2018. (Year: 2018).*

New World Decor Idea 31-in 4-Light Gold LED Modern/Contemporary Vanity Light Bar. Model #3EJJ7NLWS356766 available from lowes.com as early as May 30, 2021. (Year: 2021).*

* cited by examiner

Primary Examiner — Clare E Heflin

(57) **CLAIM**

The ornamental design for a vanity light, as shown and described.

DESCRIPTION

FIG. 1 is a front and top perspective view of a vanity light, showing my new design;

FIG. 2 is a front elevation view thereof;

FIG. 3 is a rear elevation view thereof;

FIG. 4 is a left side elevation view thereof;

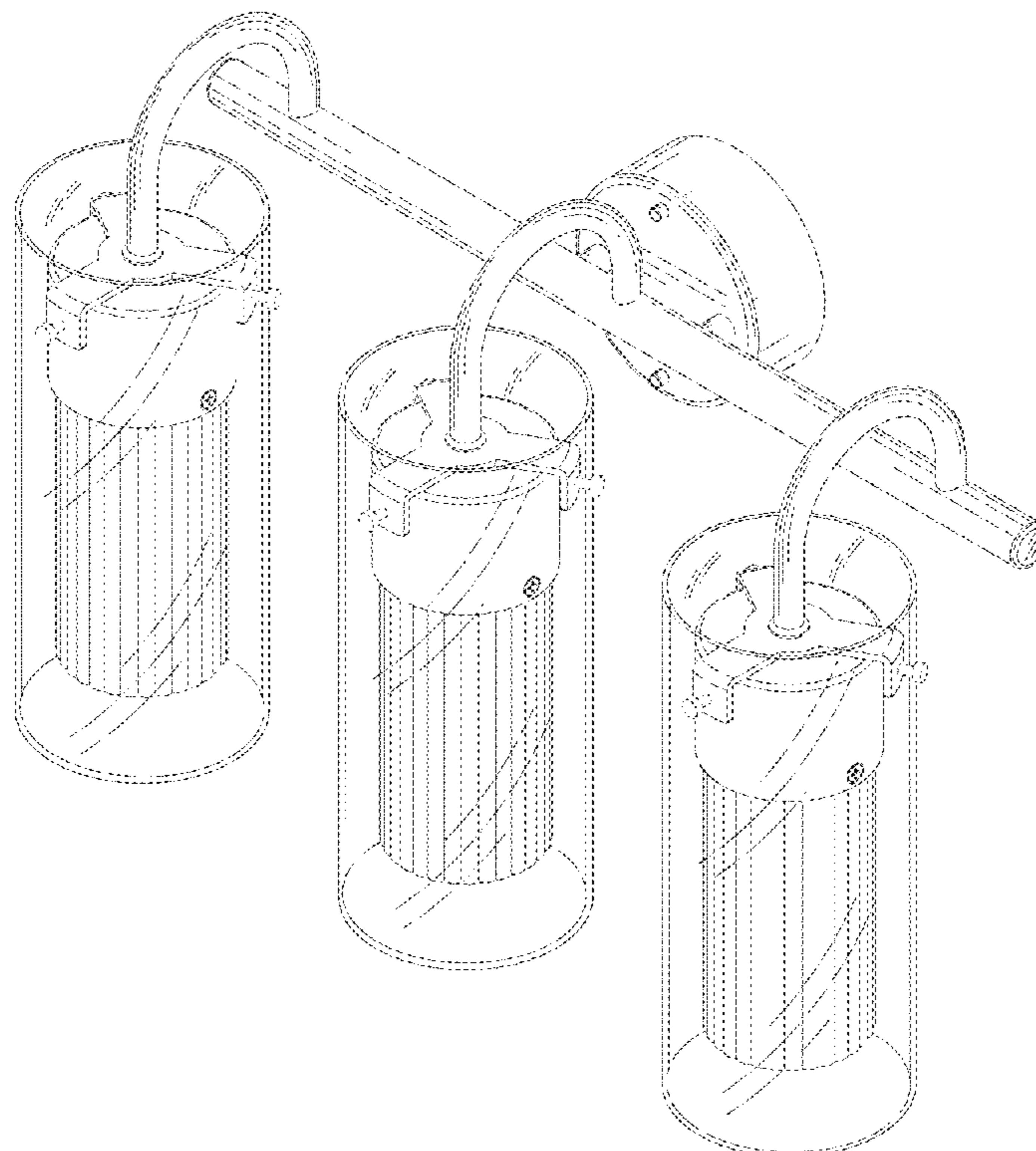
FIG. 5 is a right side elevation view thereof;

FIG. 6 is a top plan view thereof; and,

FIG. 7 is a bottom plan view thereof.

The broken lines in the figures illustrate portions of the vanity light that form no part of the claimed design.

1 Claim, 7 Drawing Sheets



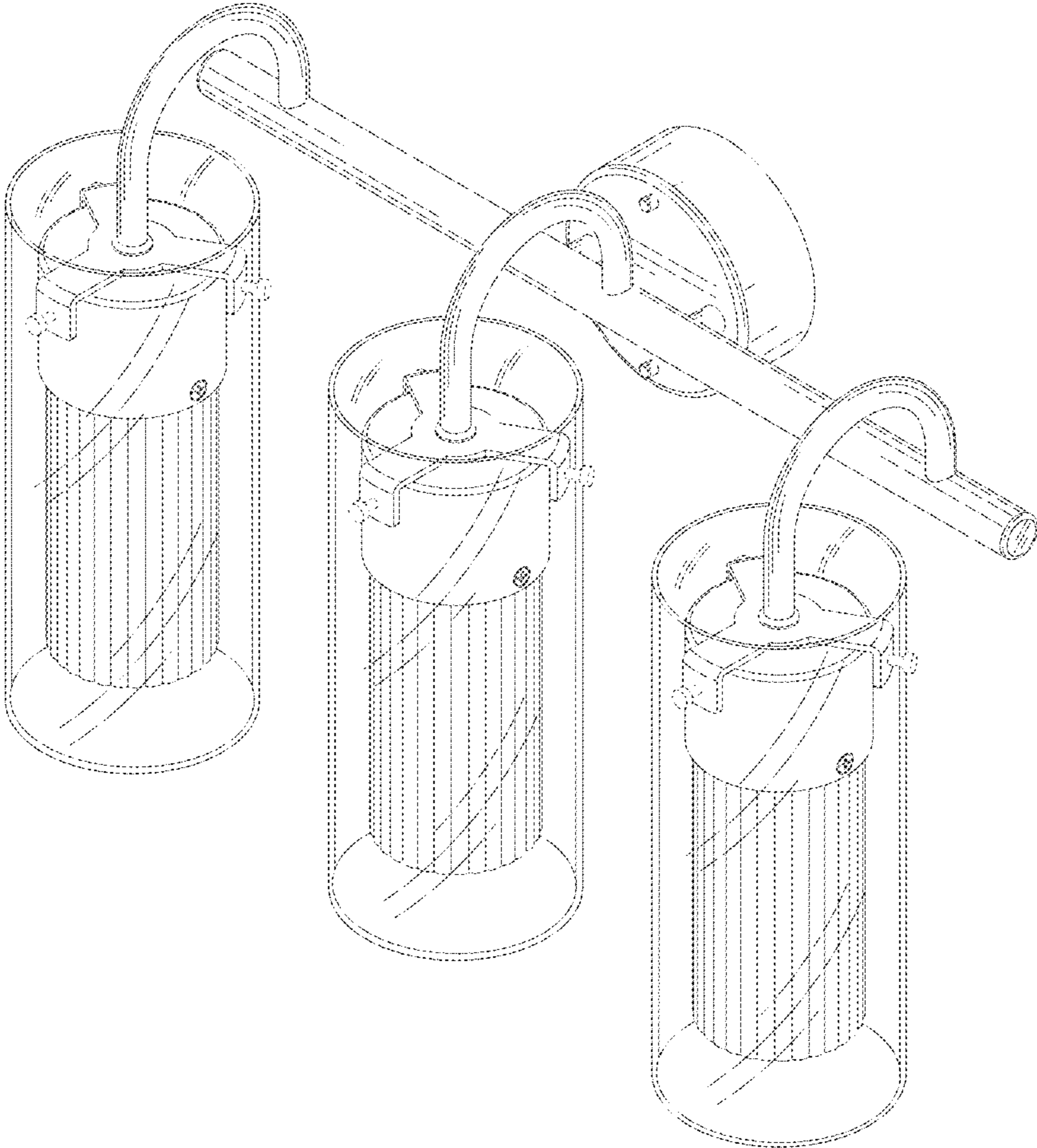


FIG.1

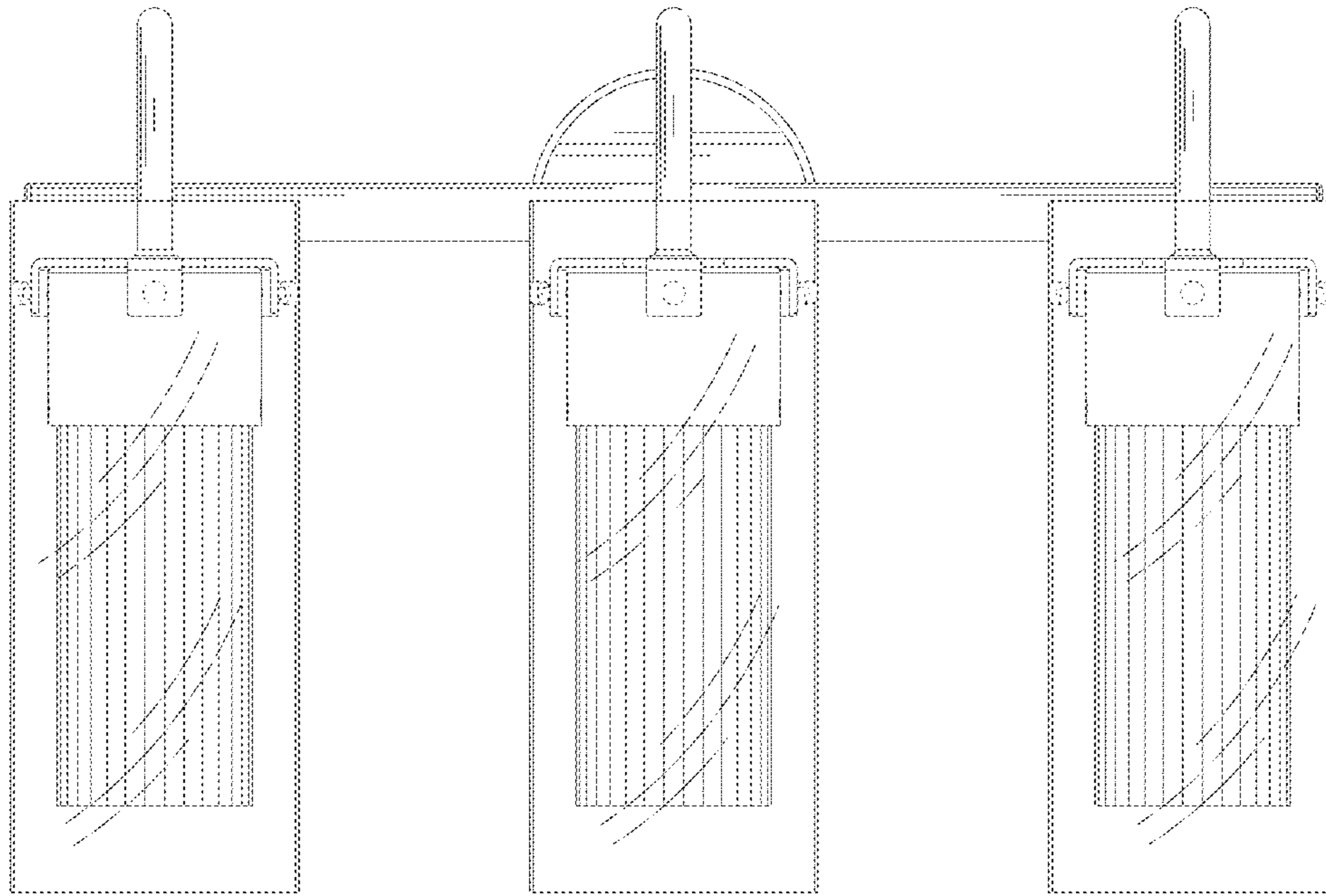


FIG.2

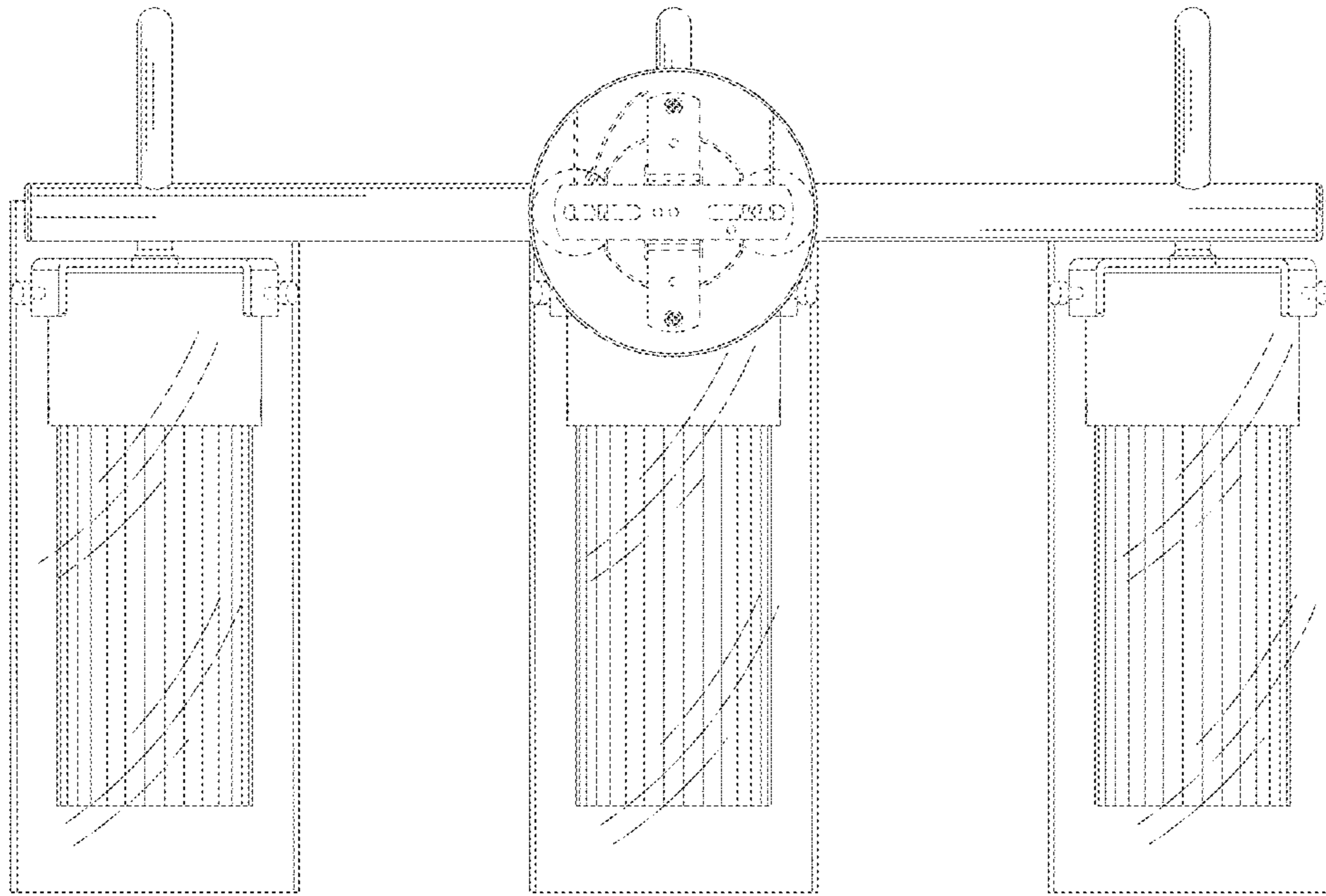


FIG.3

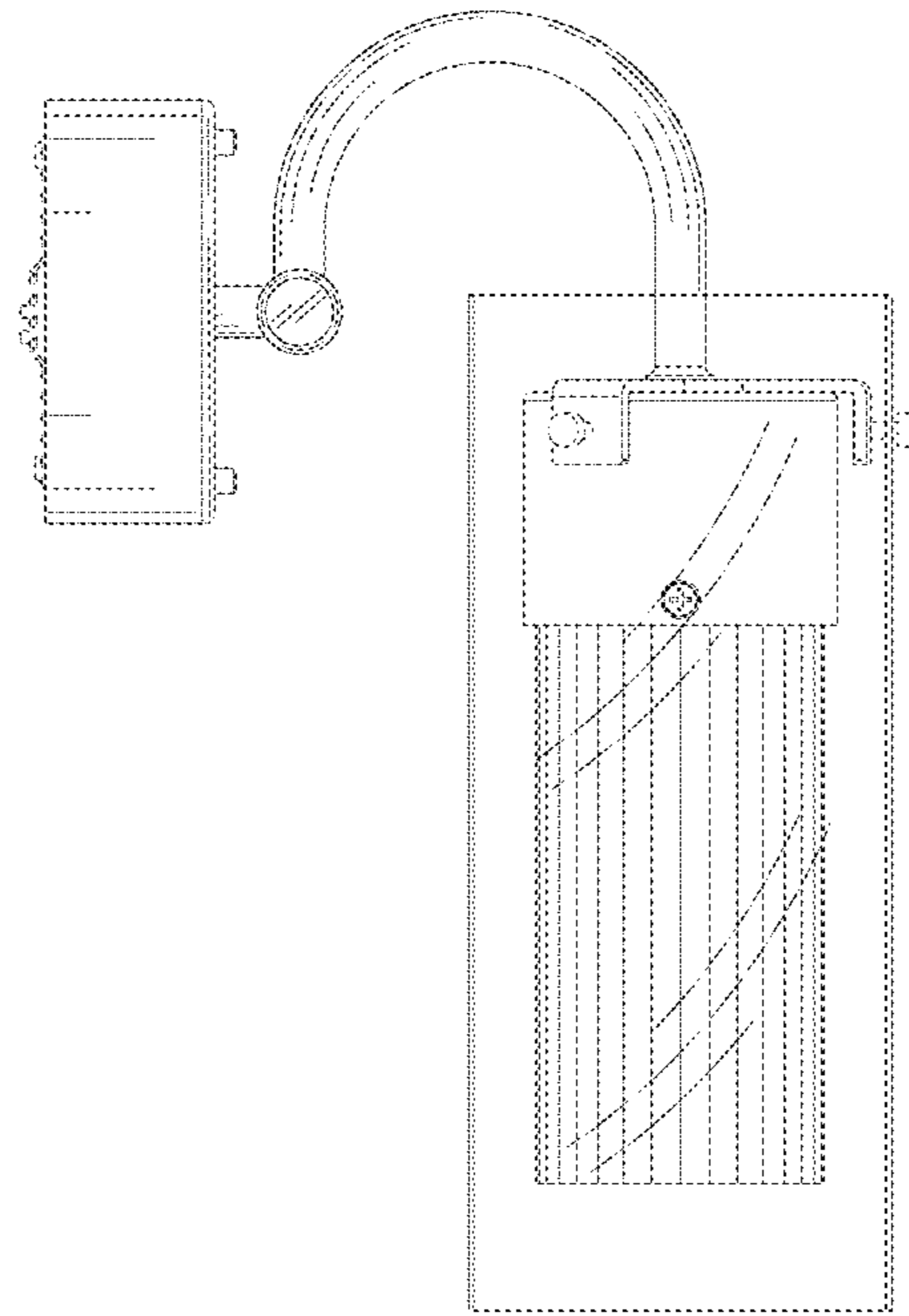


FIG.4

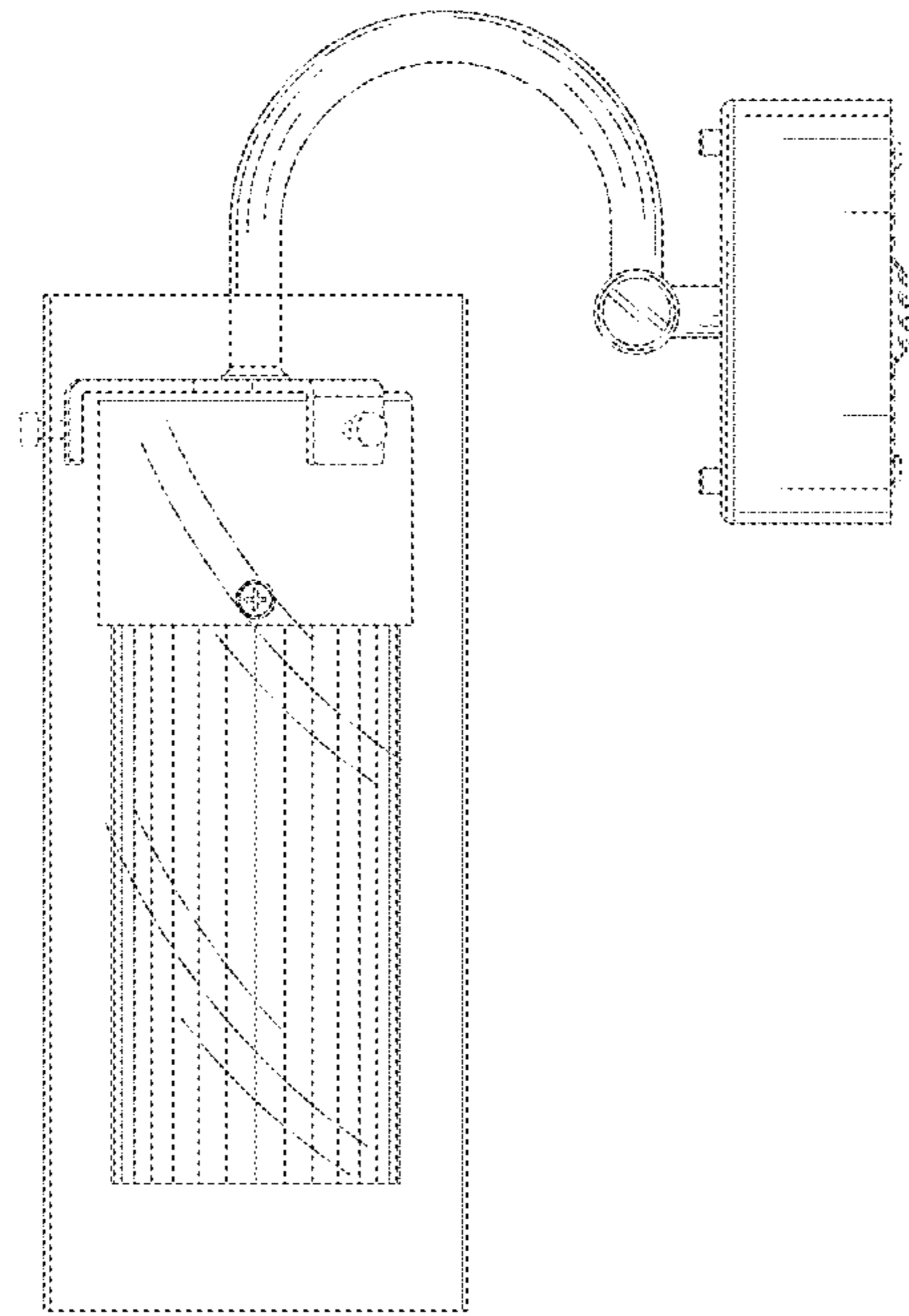


FIG.5

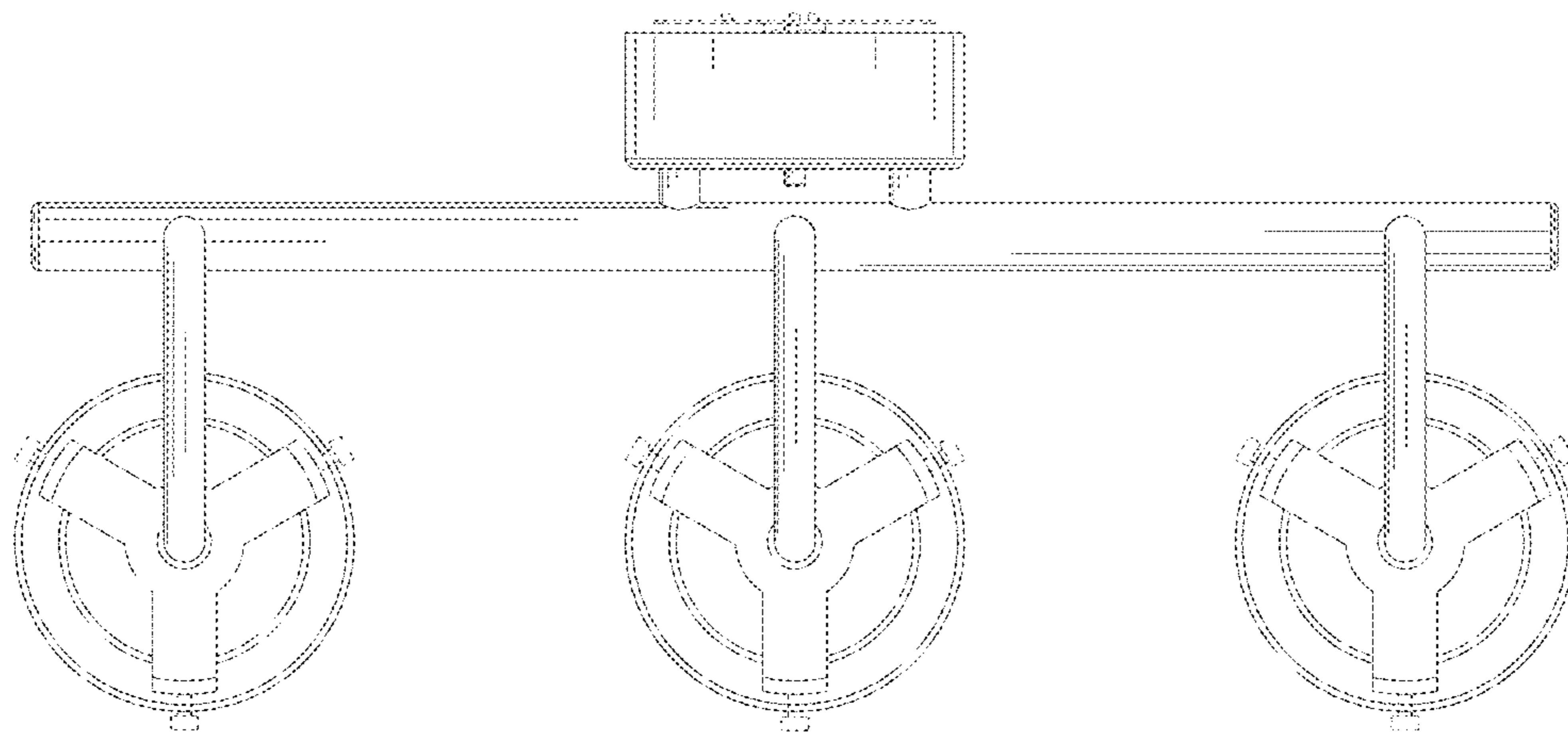


FIG.6

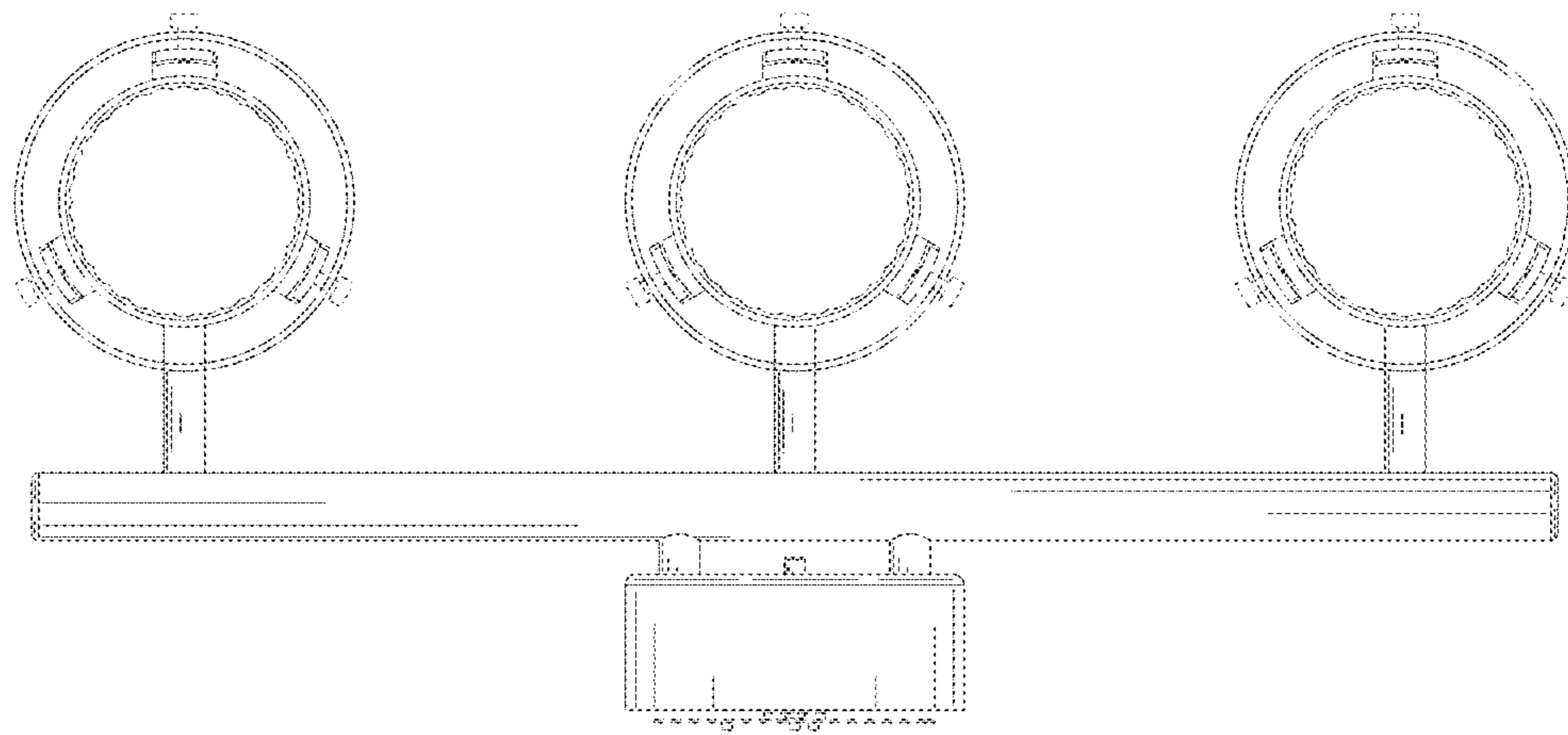


FIG. 7