



US00D973254S

(12) **United States Design Patent** (10) **Patent No.:** **US D973,254 S**
Mo (45) **Date of Patent:** **** Dec. 20, 2022**

(54) **PLANT GROWTH LAMP**

FOREIGN PATENT DOCUMENTS

(71) Applicant: **Zhongshan Boya Lighting Co., Ltd.**,
Guangdong (CN)

CN	303914101	* 11/2016
CN	305271240	* 7/2019
CN	306067624	* 9/2020
CN	306073735	* 9/2020
CN	306108723	* 10/2020

(72) Inventor: **Qihe Mo**, Guangdong (CN)

(73) Assignee: **Zhongshan Boya Lighting Co., Ltd.**,
Guangdong (CN)

OTHER PUBLICATIONS

(**) Term: **15 Years**

MIXJOY 2022 Newest GL4000s Led Grow Lights for Indoor Plants, available in Amazon.com, oldest customer review date Jan. 29, 2021 [online], [site visited Sep. 6, 2022], Available from the internet URL: <https://a.co/d/4pFDpmH> (Year: 2021).*

(21) Appl. No.: **29/785,566**

* cited by examiner

(22) Filed: **May 26, 2021**

(51) **LOC (13) Cl.** **26-04**

Primary Examiner — Brett Miller

(52) **U.S. Cl.**

Assistant Examiner — Jasmine L. Comedy

USPC **D26/76**

(74) *Attorney, Agent, or Firm* — ScienBiziP, P.C.

(58) **Field of Classification Search**

USPC D26/24, 74, 76, 77, 85, 113, 72, 118,
D26/120; 362/223, 220, 249.15

CPC .. F21Y 2113/00; F21Y 2103/00; F21V 17/00;
F21S 8/04; F21S 4/28; A01G 7/045;

A01G 9/249; D03D 9/00; H05B 45/20

See application file for complete search history.

(57) **CLAIM**

The ornamental design for a plant growth lamp, as shown and described.

DESCRIPTION

(56) **References Cited**

U.S. PATENT DOCUMENTS

D574,994	S	*	8/2008	Boyer	D26/120
D857,273	S	*	8/2019	Zou	D26/80
D893,076	S	*	8/2020	Liu	D26/76
D893,077	S	*	8/2020	Liu	D26/76
D893,078	S	*	8/2020	Liu	D26/76
10,734,441	B1	*	8/2020	Schweid	G03B 15/06
D910,222	S	*	2/2021	Zhang	D26/72
D927,770	S	*	8/2021	Hu	D26/118
D934,481	S	*	10/2021	Liu	D26/76
D947,438	S	*	3/2022	Zhang	D26/76
2018/0038578	A1	*	2/2018	Son	F21V 3/00

FIG. 1 is a front, right, and bottom perspective view of a plant growth lamp, showing my design.

FIG. 2 is a rear, left, and top perspective view thereof.

FIG. 3 is a front elevation view thereof.

FIG. 4 is a rear elevation view thereof.

FIG. 5 is a left side elevation view thereof.

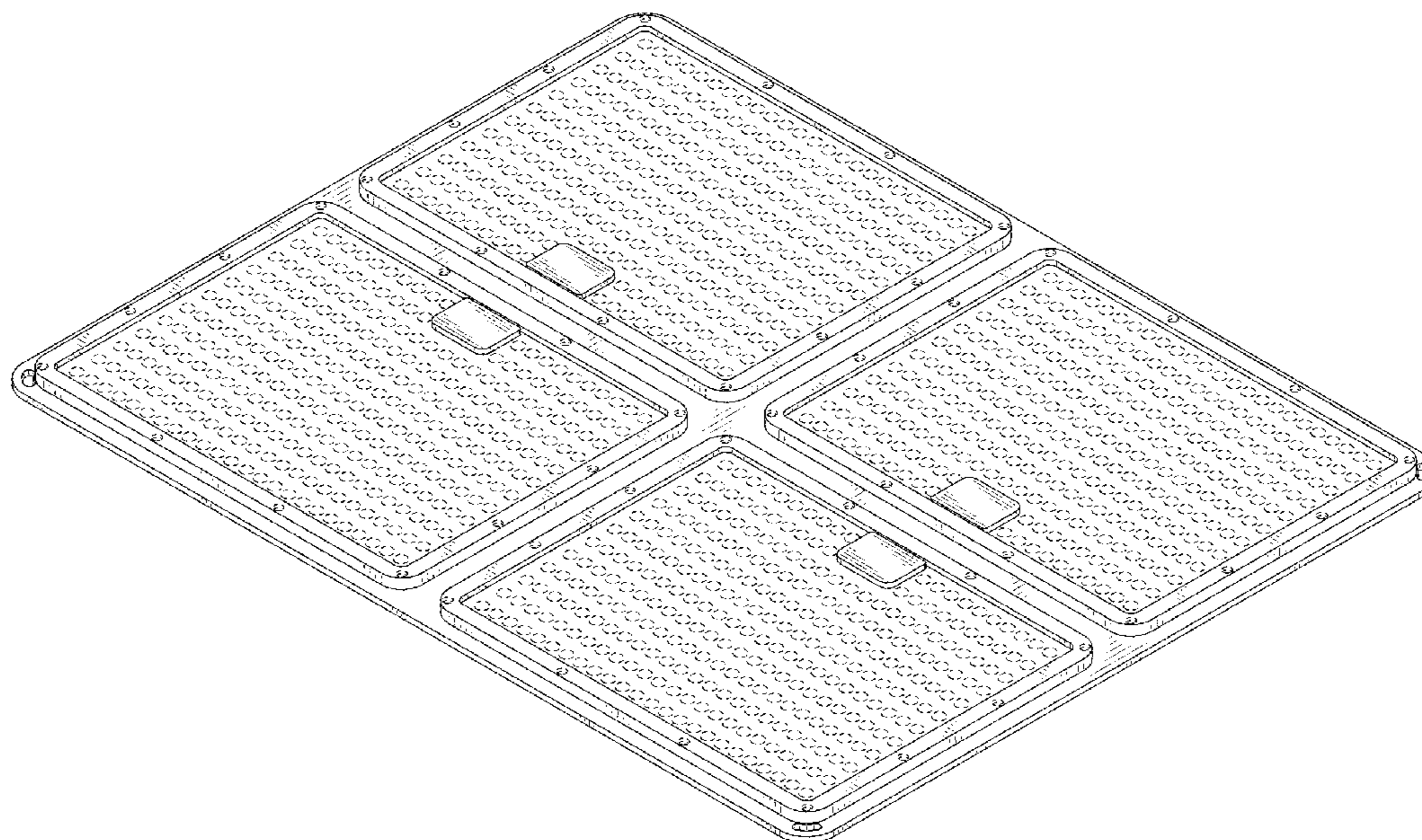
FIG. 6 is a right side elevation view thereof.

FIG. 7 is a top plan view thereof; and,

FIG. 8 is a bottom plan view thereof.

The broken lines shown in the drawings are included for the purpose of illustrating portions of the plant growth lamp that form no part of the claimed design.

1 Claim, 8 Drawing Sheets



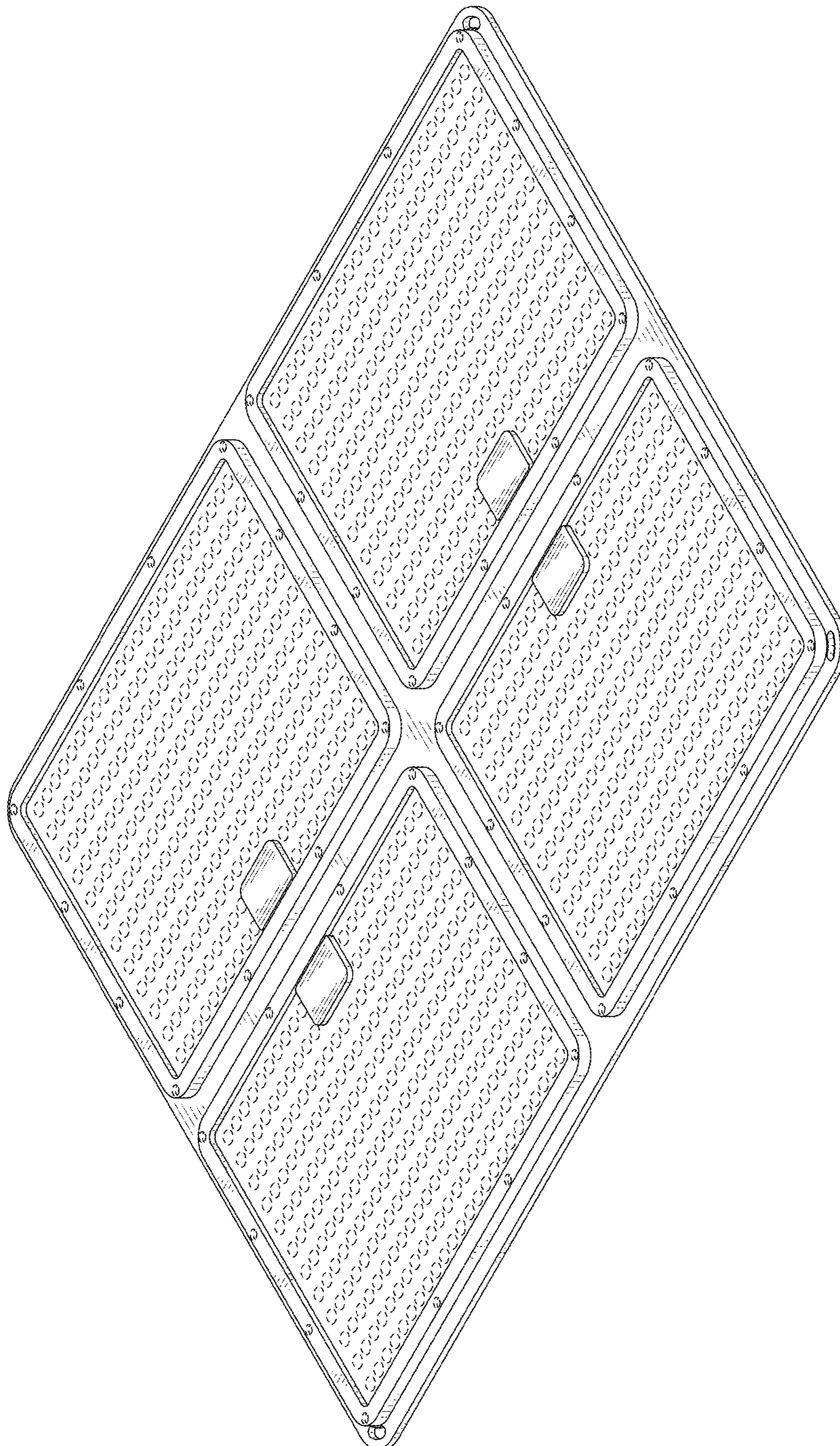


FIG. 1

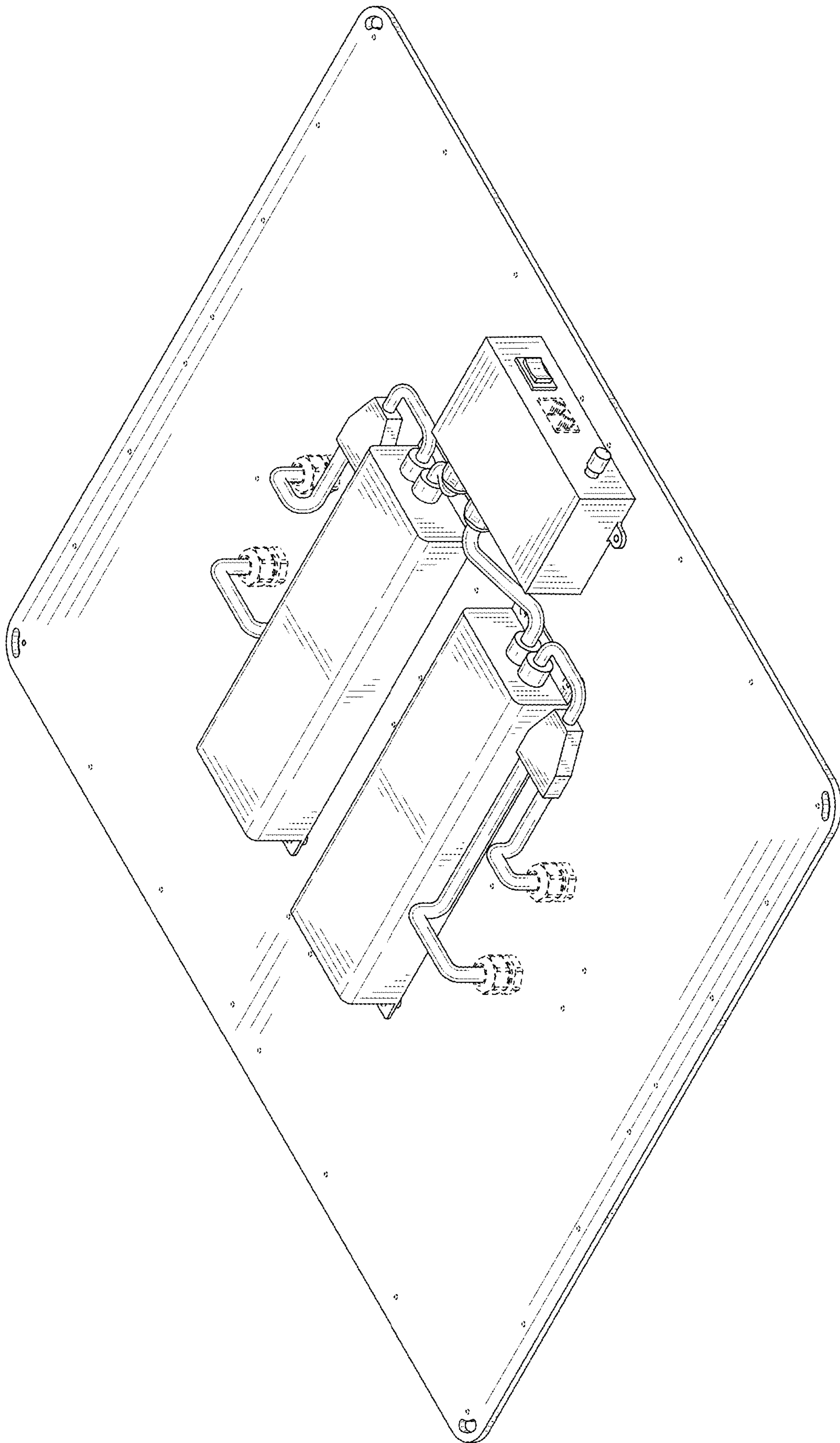


FIG. 2

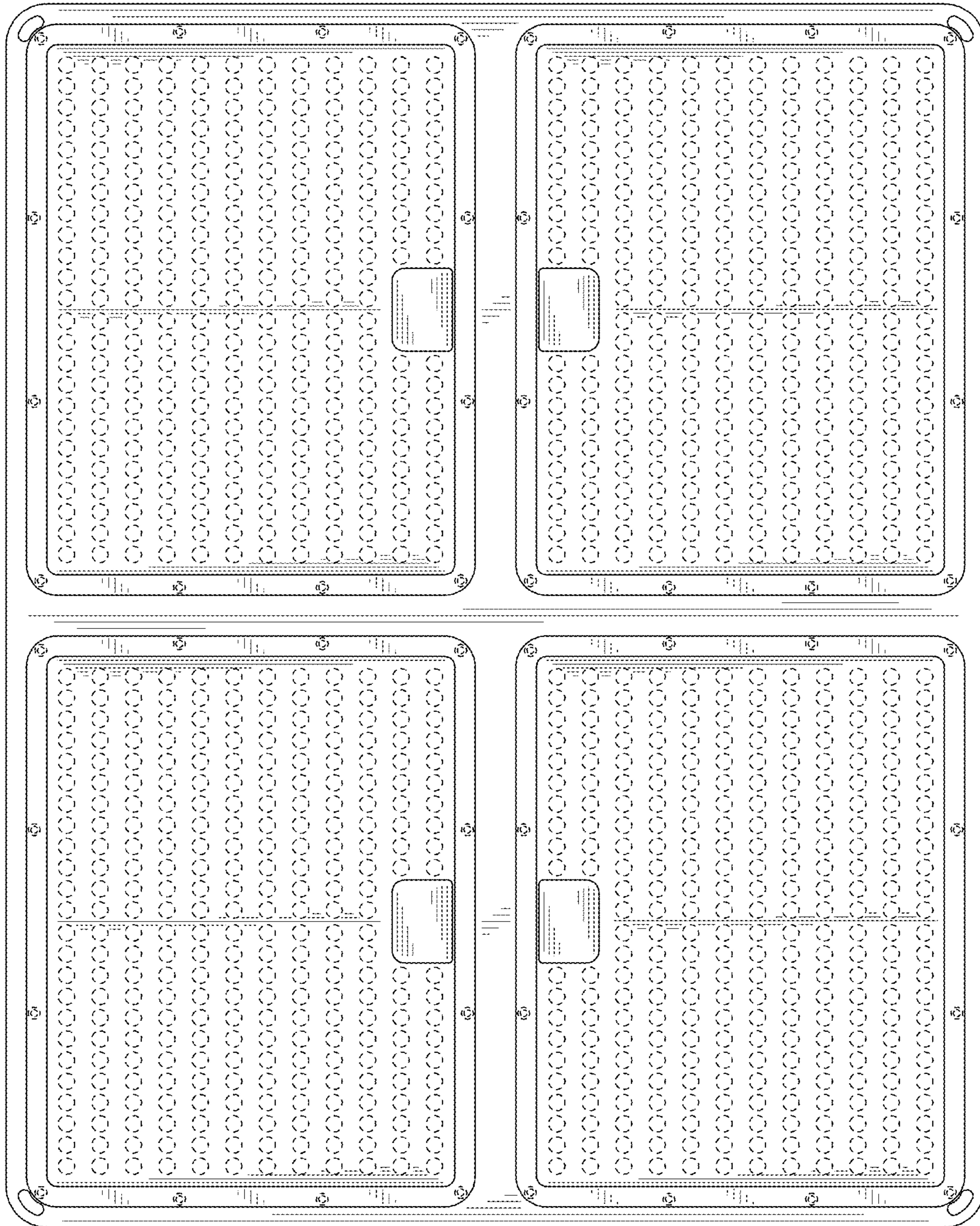


FIG. 3

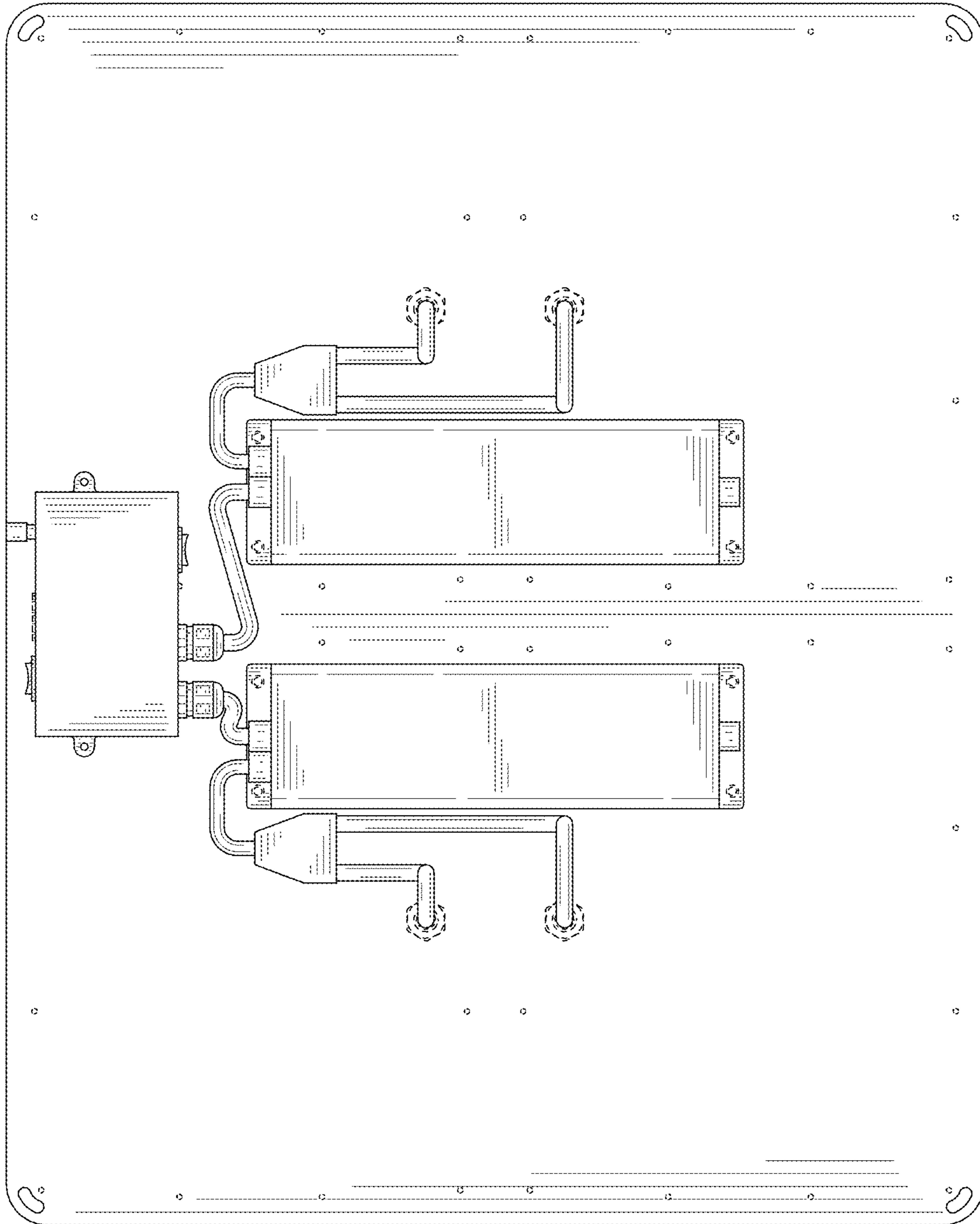


FIG. 4

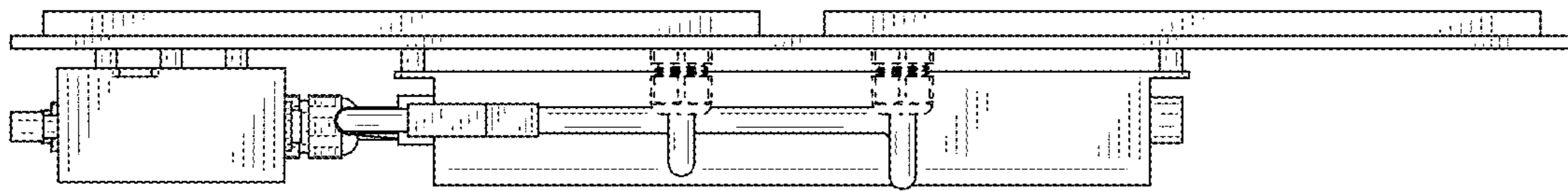


FIG. 5

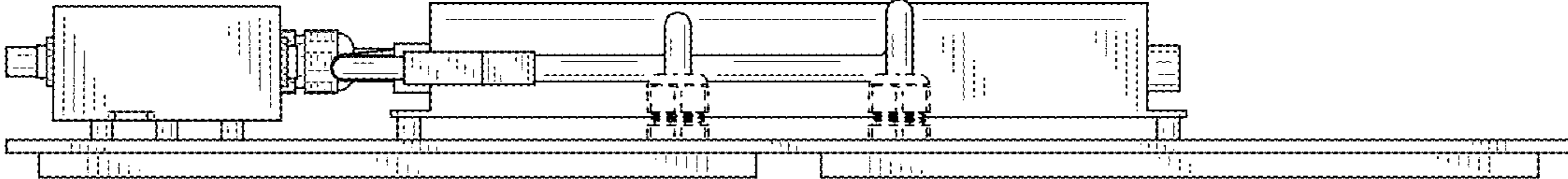


FIG. 6

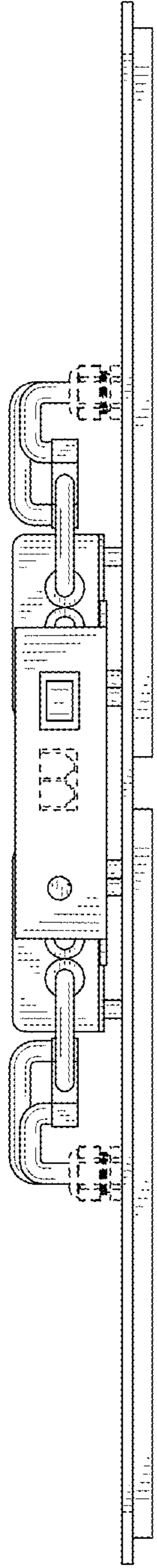


FIG. 7

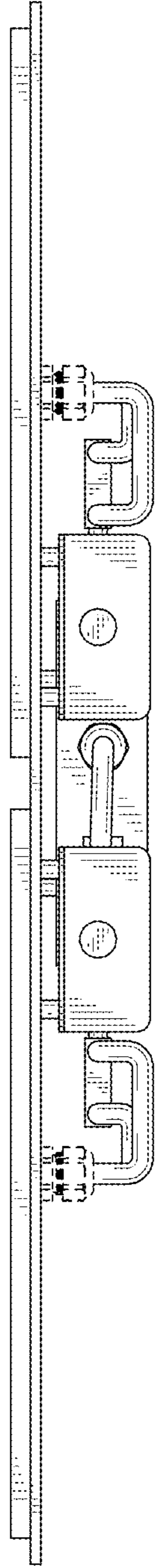


FIG. 8