



US00D973252S

(12) **United States Design Patent** (10) **Patent No.:** **US D973,252 S**
Wu (45) **Date of Patent:** **** Dec. 20, 2022**

(54) **SOLAR GARDEN LAMP**

(71) Applicant: **Hanxiang Wu**, Jiujiang (CN)

(72) Inventor: **Hanxiang Wu**, Jiujiang (CN)

(**) Term: **15 Years**

(21) Appl. No.: **29/802,985**

(22) Filed: **Aug. 10, 2021**

(51) **LOC (13) Cl.** **26-05**

(52) **U.S. Cl.**
USPC **D26/67**

(58) **Field of Classification Search**
USPC D26/67-70, 85
CPC F21S 8/03; F21S 8/033; F21S 8/036; F21S 8/081; F21S 9/037; F21W 2111/02; F21W 2111/023; F21W 2131/109
See application file for complete search history.

(56) **References Cited**

U.S. PATENT DOCUMENTS

D338,080	S	*	8/1993	Elazari	D26/68
D517,717	S	*	3/2006	Sanoner	D26/68
D517,719	S	*	3/2006	Sanoner	D26/68
D562,488	S	*	2/2008	Weiser	D26/73
D652,975	S	*	1/2012	Harshaw	D26/67
D682,054	S	*	5/2013	Gary et al.	
D698,064	S	*	1/2014	Macura	D26/68
D738,556	S	*	9/2015	Macura	D26/67
D800,940	S	*	10/2017	Guzzini	D26/70
D884,246	S	*	5/2020	Tang	D26/67
D947,435	S	*	3/2022	Li	D26/67
D957,713	S	*	7/2022	Wang	D26/67

OTHER PUBLICATIONS

Chinco Star Bright Solar Outdoor Lights, ASIN: B0B1QFJ2RR. Available from amazon.com May 19, 2022. (Year: 2022).*
Chisroslin 6 Pack Solar Pathway Lights, ASIN: B09TRBM963. Available from amazon.com Apr. 9, 2022. (Year: 2022).*
Linkind Solar Pathway Lights, ASIN: B09P8GWQHQ. Available from amazon.com Dec. 27, 2021. (Year: 2021).*
Nenkidi Bright Solar Powered Pathway Lights, ASIN: B0B1375G65. Available from amazon.com May 11, 2022. (Year: 2022).*

* cited by examiner

Primary Examiner — Clare E Heflin

(74) *Attorney, Agent, or Firm* — Che-Yang Chen; Law Office of Michael Chen

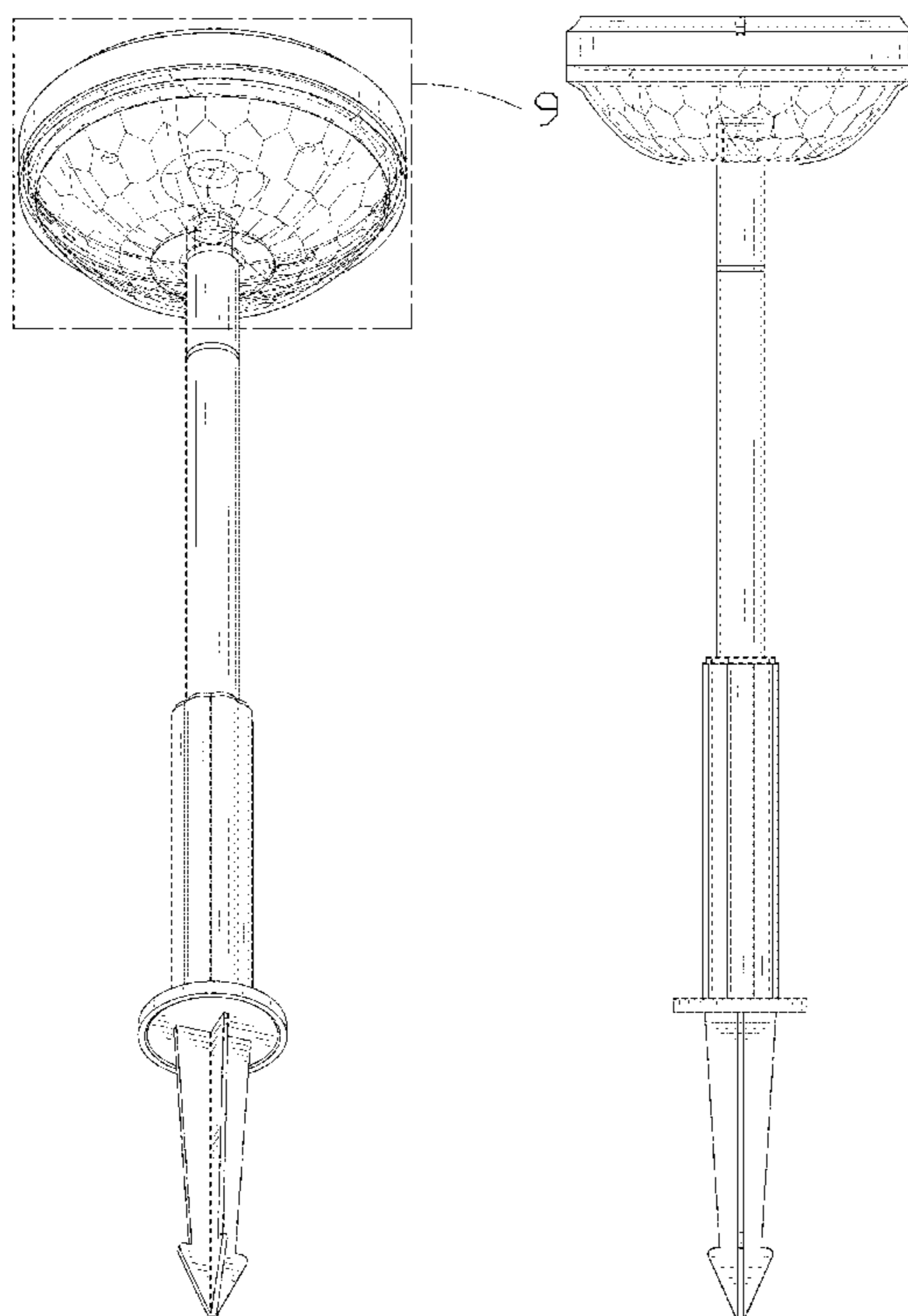
(57) **CLAIM**

The ornamental design for a solar garden lamp, as shown and described.

DESCRIPTION

FIG. 1 is a perspective view of the solar garden lamp showing my new design;
FIG. 2 is a perspective view thereof from another angle;
FIG. 3 is a front elevational view thereof;
FIG. 4 is a rear elevational view thereof;
FIG. 5 is a left side elevational view thereof;
FIG. 6 is a right side elevational view thereof;
FIG. 7 is a top plan view thereof;
FIG. 8 is a bottom plan view thereof; and,
FIG. 9 is a partial enlarged view of the top portion of the solar garden lamp in FIG. 2.

1 Claim, 9 Drawing Sheets



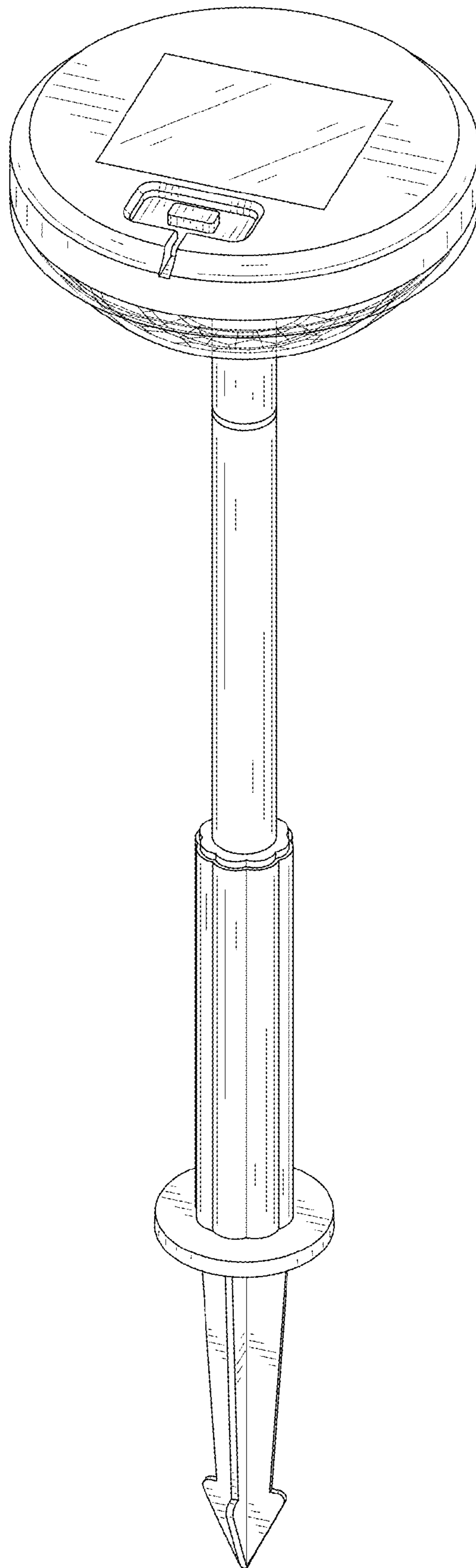


FIG. 1

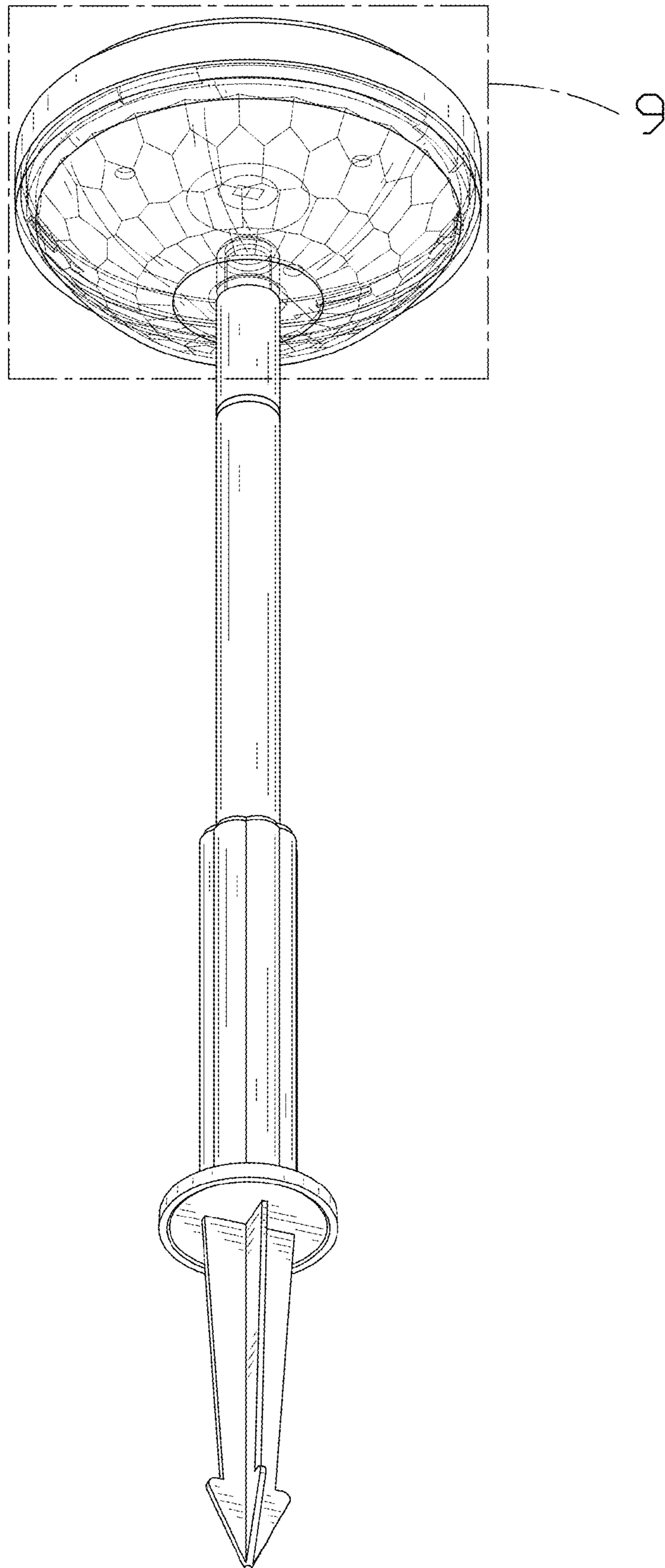


FIG. 2

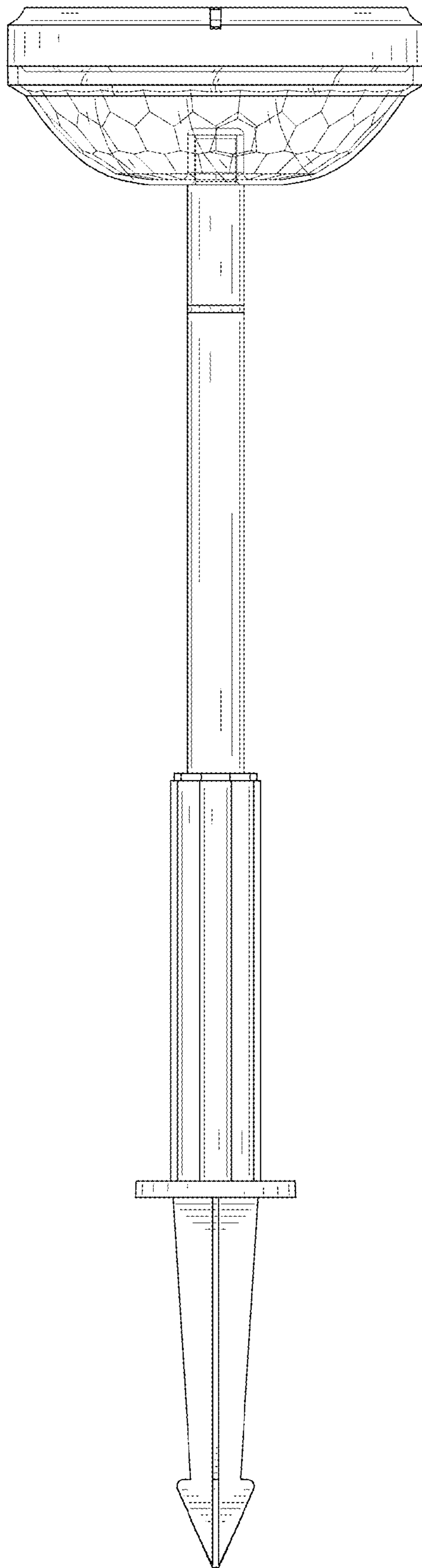


FIG. 3

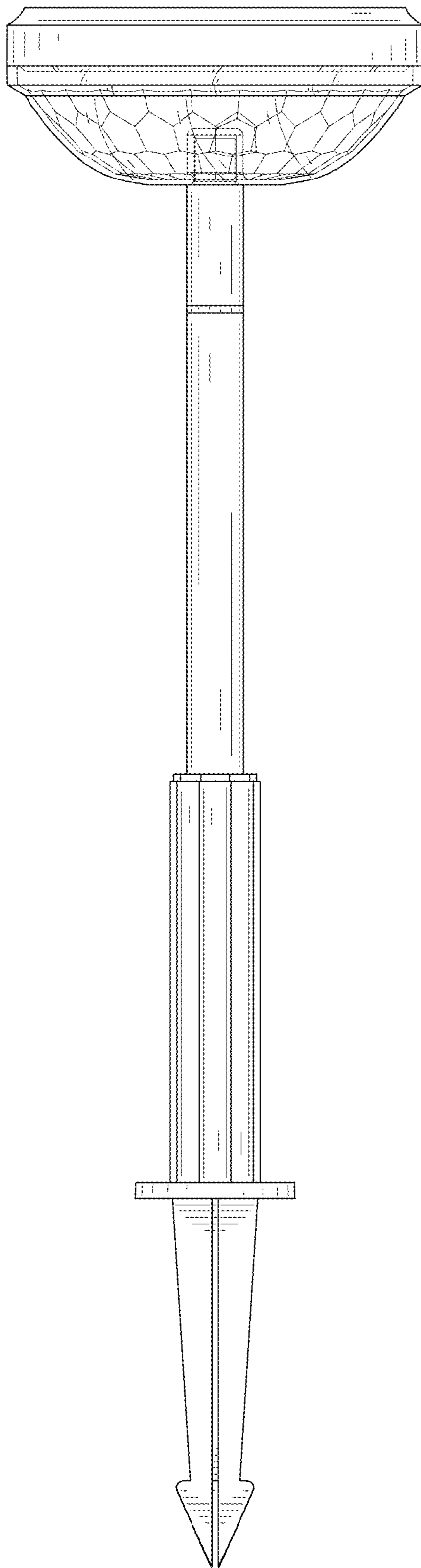


FIG. 4

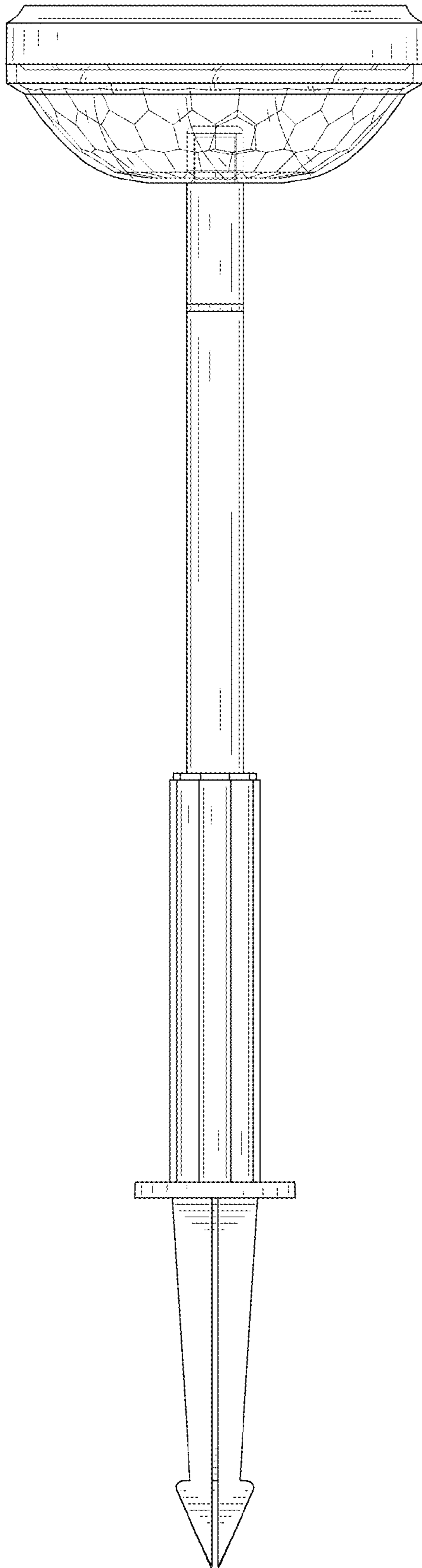


FIG. 5

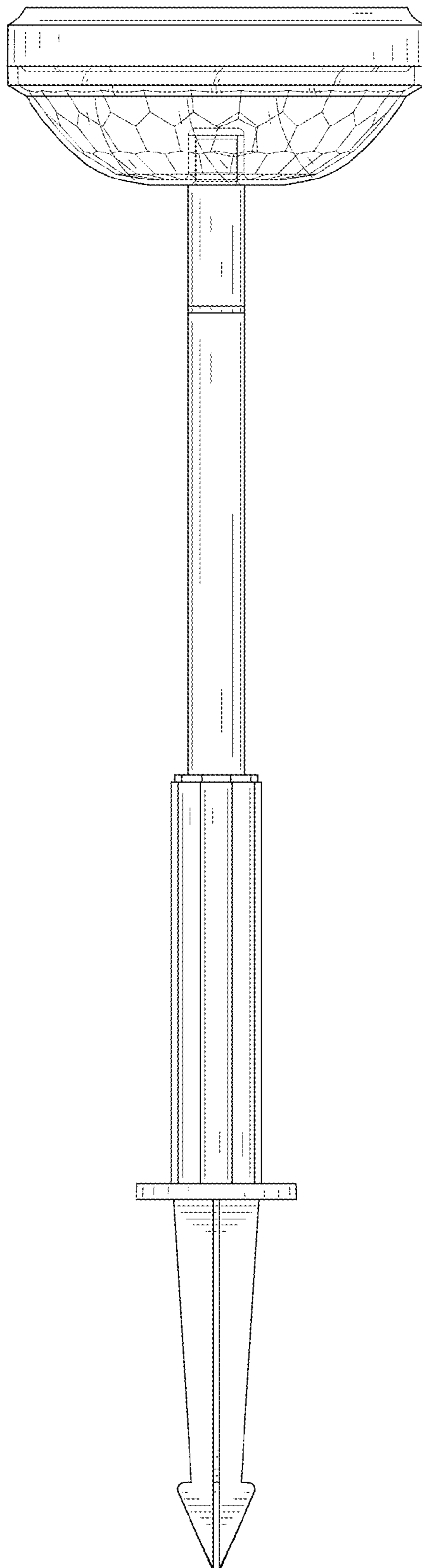


FIG. 6

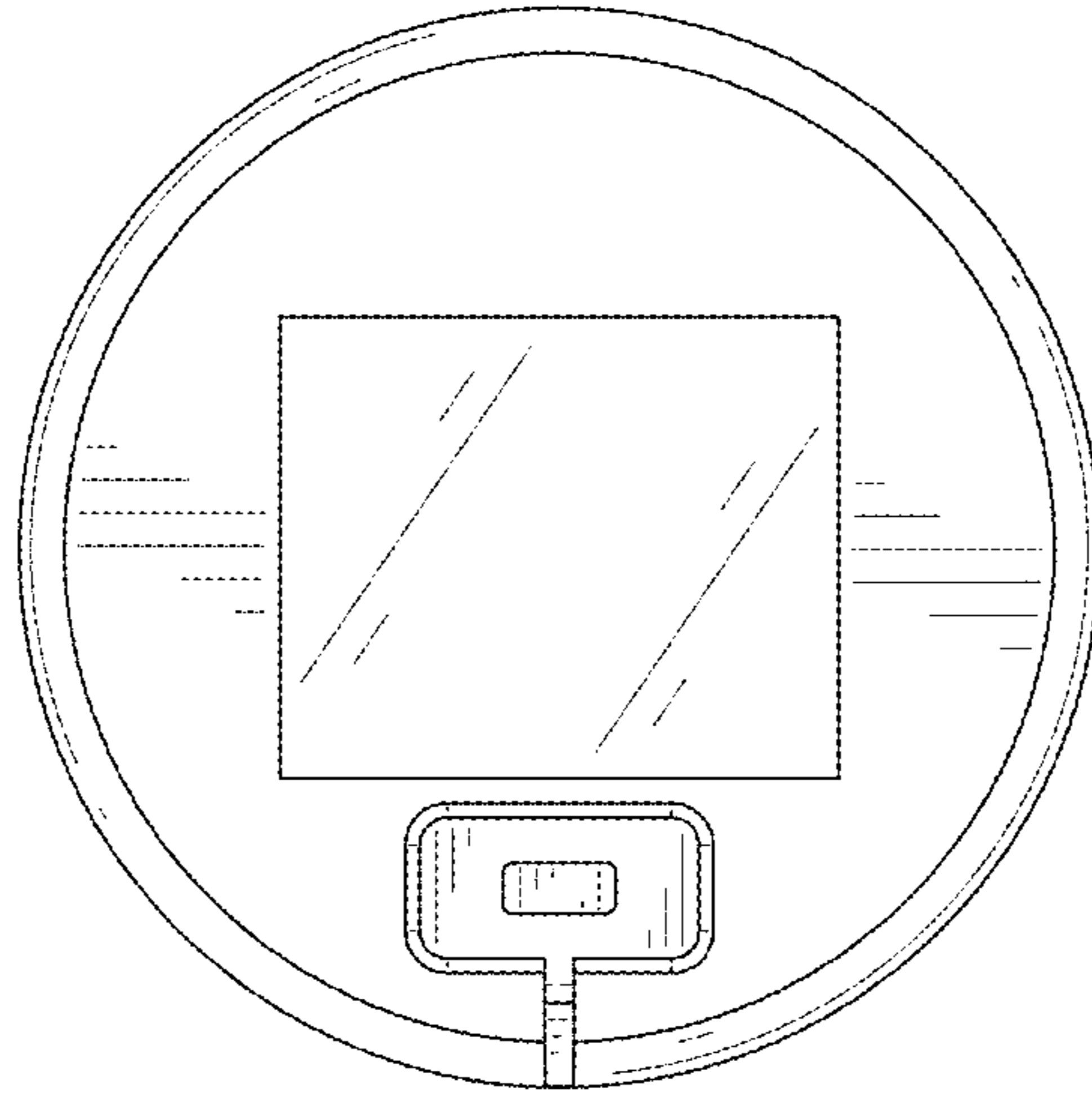


FIG. 7

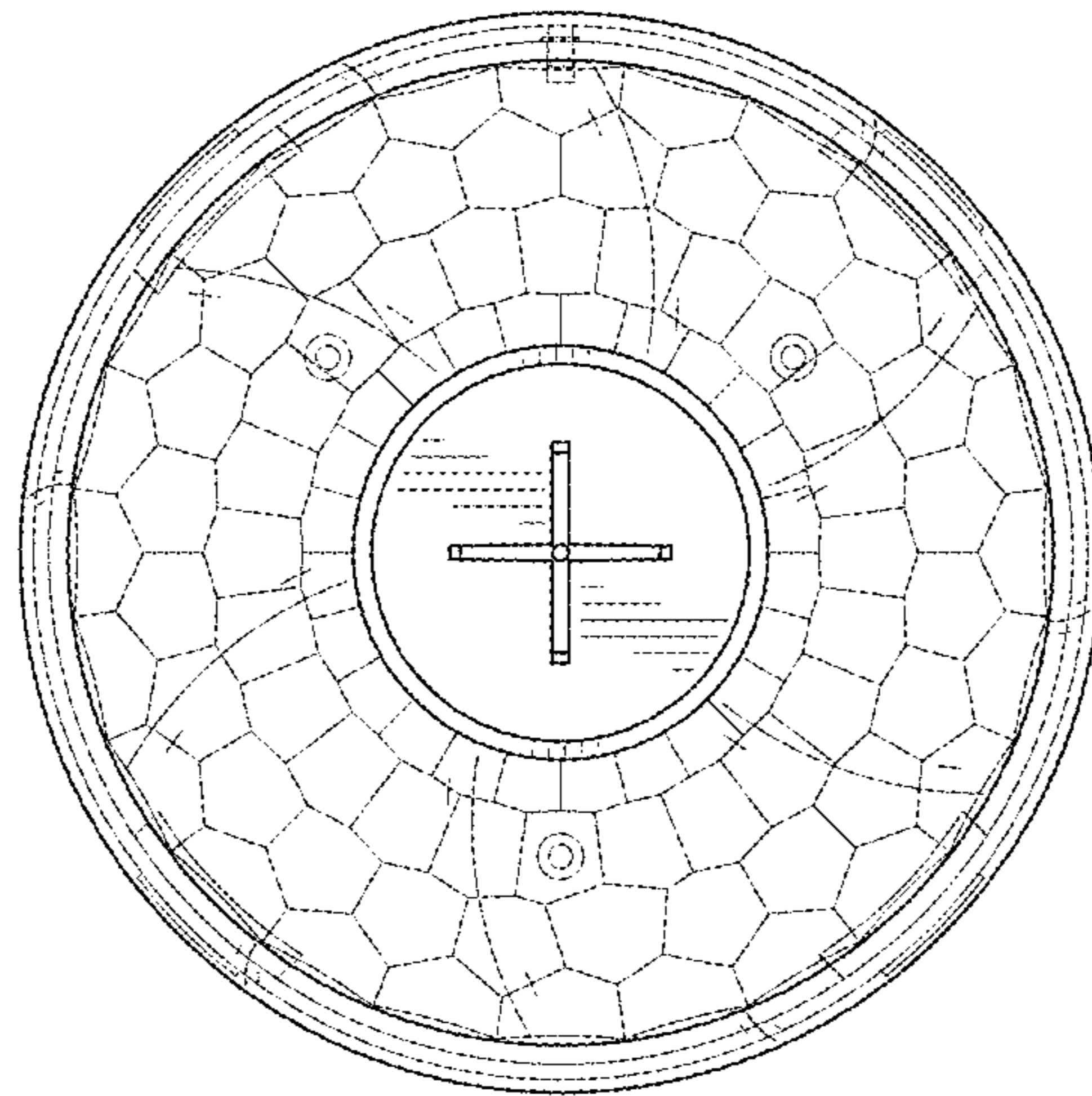


FIG. 8

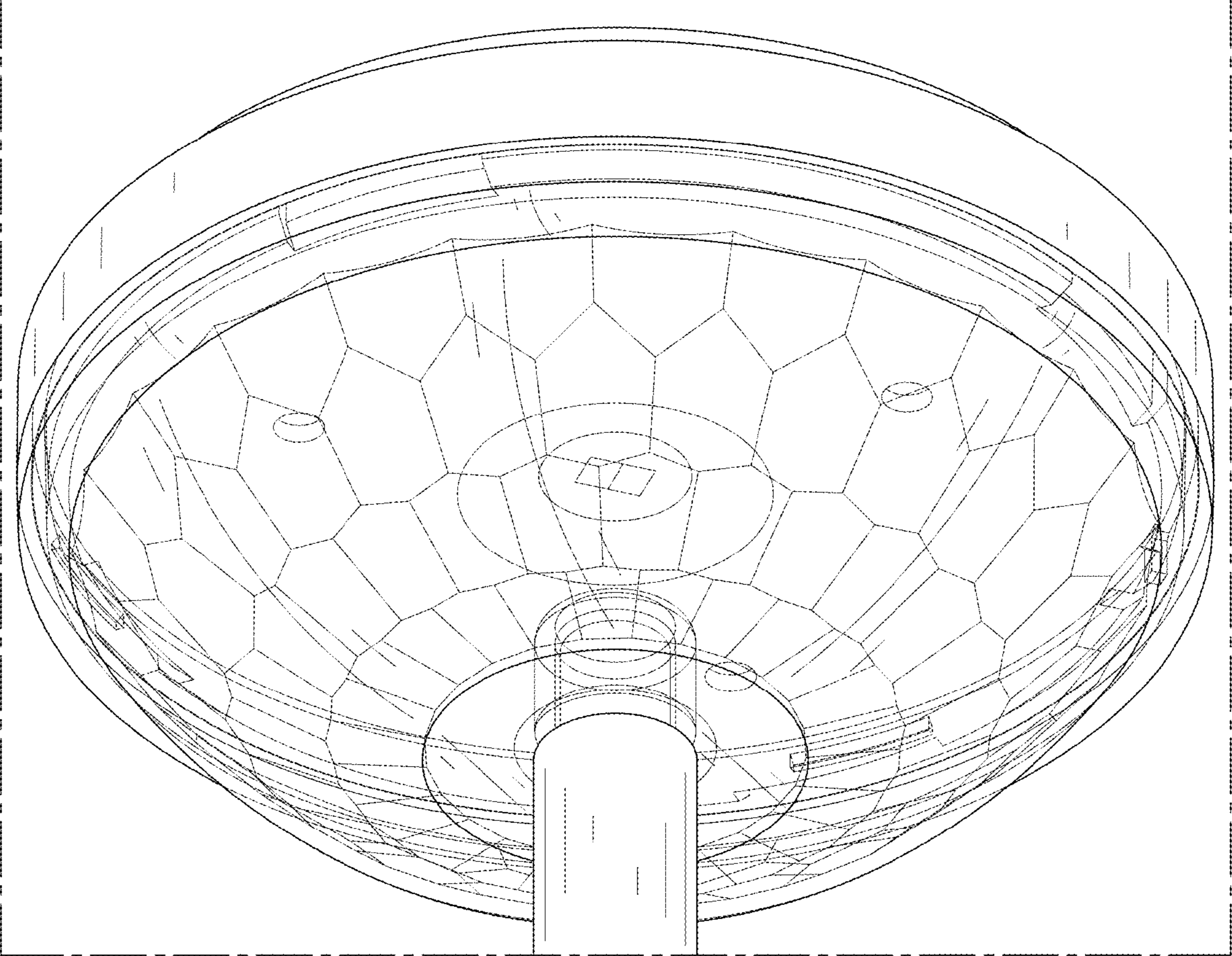


FIG. 9