



US00D973251S

(12) **United States Design Patent** (10) **Patent No.:** **US D973,251 S**  
**Lu** (45) **Date of Patent:** **\*\* Dec. 20, 2022**

(54) **SOLAR LIGHT**

(71) Applicant: **ZHONGSHAN YUSEN LIGHTING TECHNOLOGY CO., LTD.**,  
Zhongshan (CN)

(72) Inventor: **Jianquan Lu**, Baise (CN)

(73) Assignee: **ZHONGSHAN YUSEN LIGHTING TECHNOLOGY CO., LTD.**,  
Zhongshan (CN)

(\*\*) Term: **15 Years**

(21) Appl. No.: **29/811,225**

(22) Filed: **Oct. 12, 2021**

(30) **Foreign Application Priority Data**

Aug. 28, 2021 (CN) ..... 202130565362.6

(51) **LOC (13) Cl.** ..... **26-05**

(52) **U.S. Cl.**  
USPC ..... **D26/63; D26/67**

(58) **Field of Classification Search**  
USPC ..... D26/63, 106, 3, 13, 110, 102, 67  
CPC ..... F21V 17/12; F21V 23/06; F21V 21/02  
See application file for complete search history.

(56) **References Cited**

**U.S. PATENT DOCUMENTS**

D799,737 S	10/2017	Li et al.	
D841,858 S *	2/2019	Deng	D26/68
D848,046 S *	5/2019	Zhuo	D26/67
D851,798 S *	6/2019	Liu	D26/68
D867,644 S *	11/2019	Luo	D26/68
D875,289 S *	2/2020	Hu	D26/63
D881,433 S *	4/2020	Chen	D26/63
D892,377 S *	8/2020	Zhu	D26/63
D903,176 S *	11/2020	Mai	D26/67
D905,312 S *	12/2020	Zhuo	D26/63
D908,253 S	1/2021	Hollinger	

D908,939 S *	1/2021	Liu	D26/63
D909,652 S *	2/2021	Wu	D26/63
D912,870 S *	3/2021	Harders	D26/63
D914,942 S *	3/2021	Li	D26/63
D922,646 S *	6/2021	Huang	D26/63
D923,225 S *	6/2021	Hu	D26/63
D923,845 S *	6/2021	Kong	D26/63
D925,084 S *	7/2021	Chen	D26/63
D925,100 S *	7/2021	Hui	D26/68
D930,225 S *	9/2021	Jiang	D26/68
D930,889 S *	9/2021	Liu	D26/68
D931,198 S *	9/2021	Liu	D13/102
D944,434 S *	2/2022	Li	D26/63

(Continued)

**OTHER PUBLICATIONS**

InnoGear Solar Outdoor Lights, dated Sep. 27, 2017 [online], [site visited Aug. 22, 2022]. Available from Internet, URL:https://www.amazon.com/dp/B075YS1D5F/ (Year: 2017).\*

*Primary Examiner* — Shawn T Gingrich  
*Assistant Examiner* — Kathryn Elizabeth Chambers  
(74) *Attorney, Agent, or Firm* — Nitin Kaushik

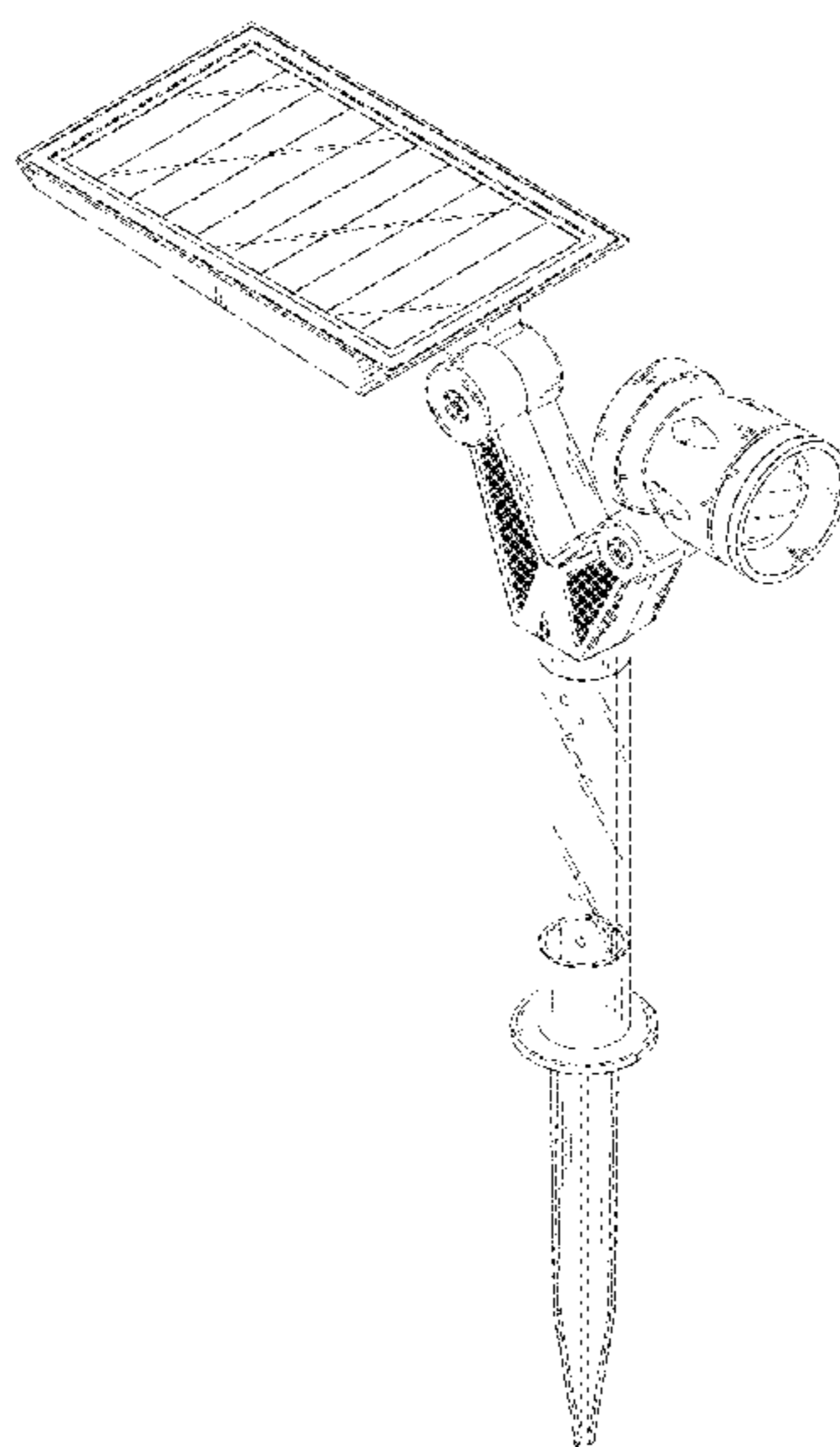
(57) **CLAIM**

The ornamental design for a solar light, as shown and described.

**DESCRIPTION**

FIG. 1 is a perspective view of a solar light showing my new design;  
FIG. 2 is another perspective view thereof;  
FIG. 3 is a front elevational view thereof;  
FIG. 4 is a rear elevational view thereof;  
FIG. 5 is a left side elevational view thereof;  
FIG. 6 is a right side elevational view thereof;  
FIG. 7 is a top plan view thereof; and,  
FIG. 8 is a bottom plan view thereof.  
The broken lines in the drawings depict portions of the solar light that form no part of the claimed design.

**1 Claim, 8 Drawing Sheets**



(56)

**References Cited**

U.S. PATENT DOCUMENTS

D945,670 S \* 3/2022 Wu ..... D26/63  
D949,090 S \* 4/2022 Wang ..... D13/102  
D954,324 S \* 6/2022 Rajasekaran ..... D26/65

\* cited by examiner

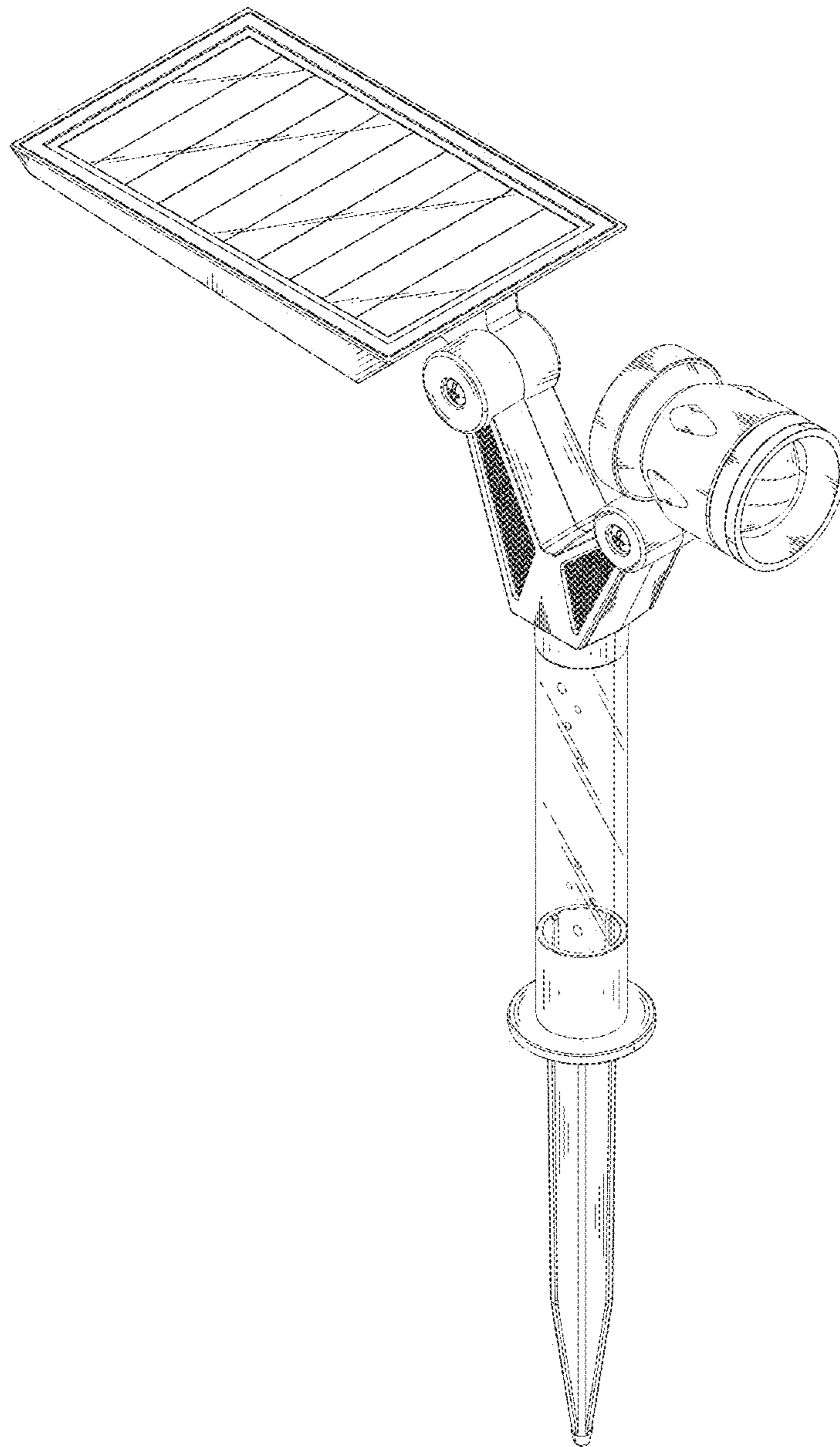


FIG. 1

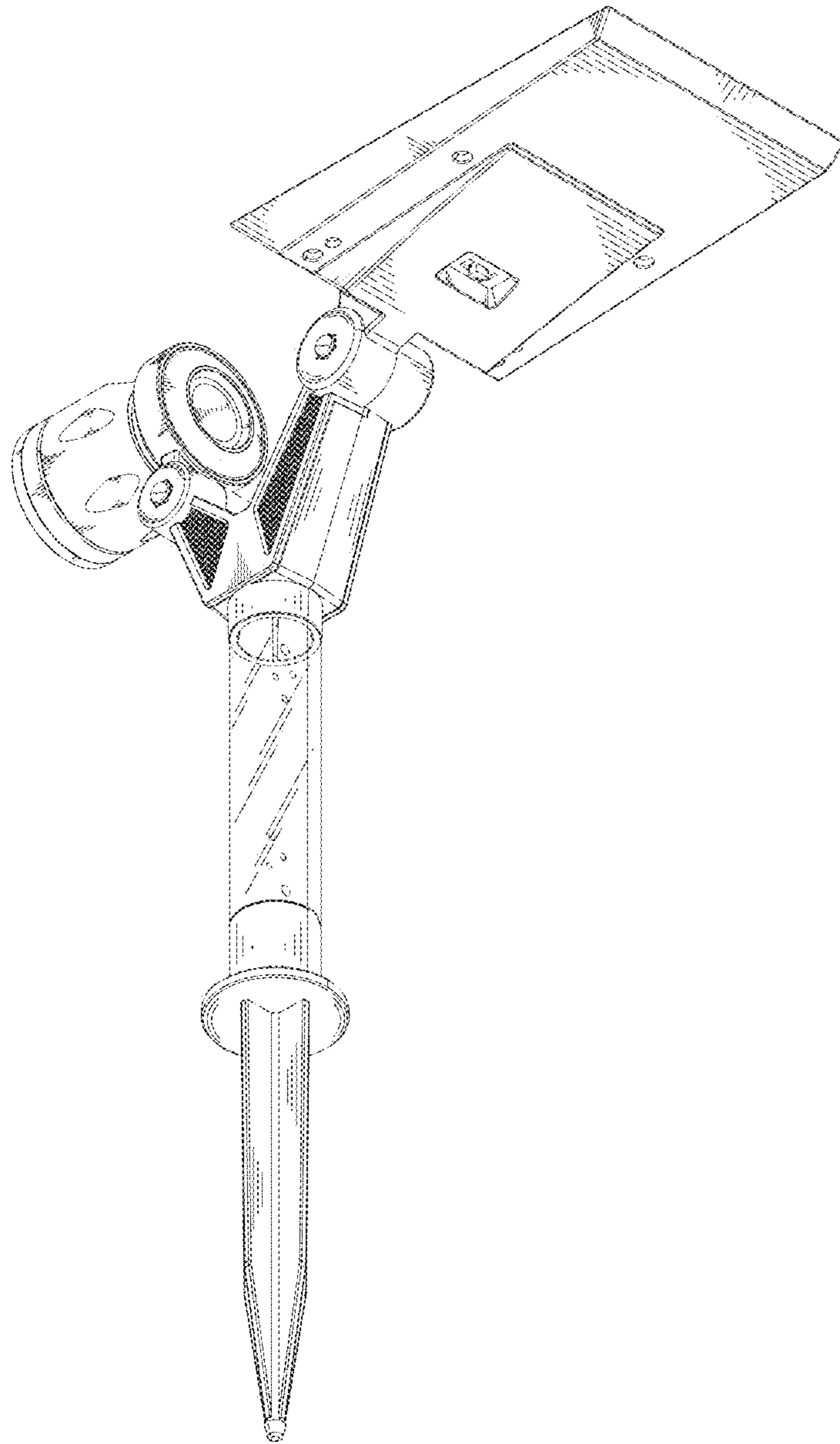


FIG. 2

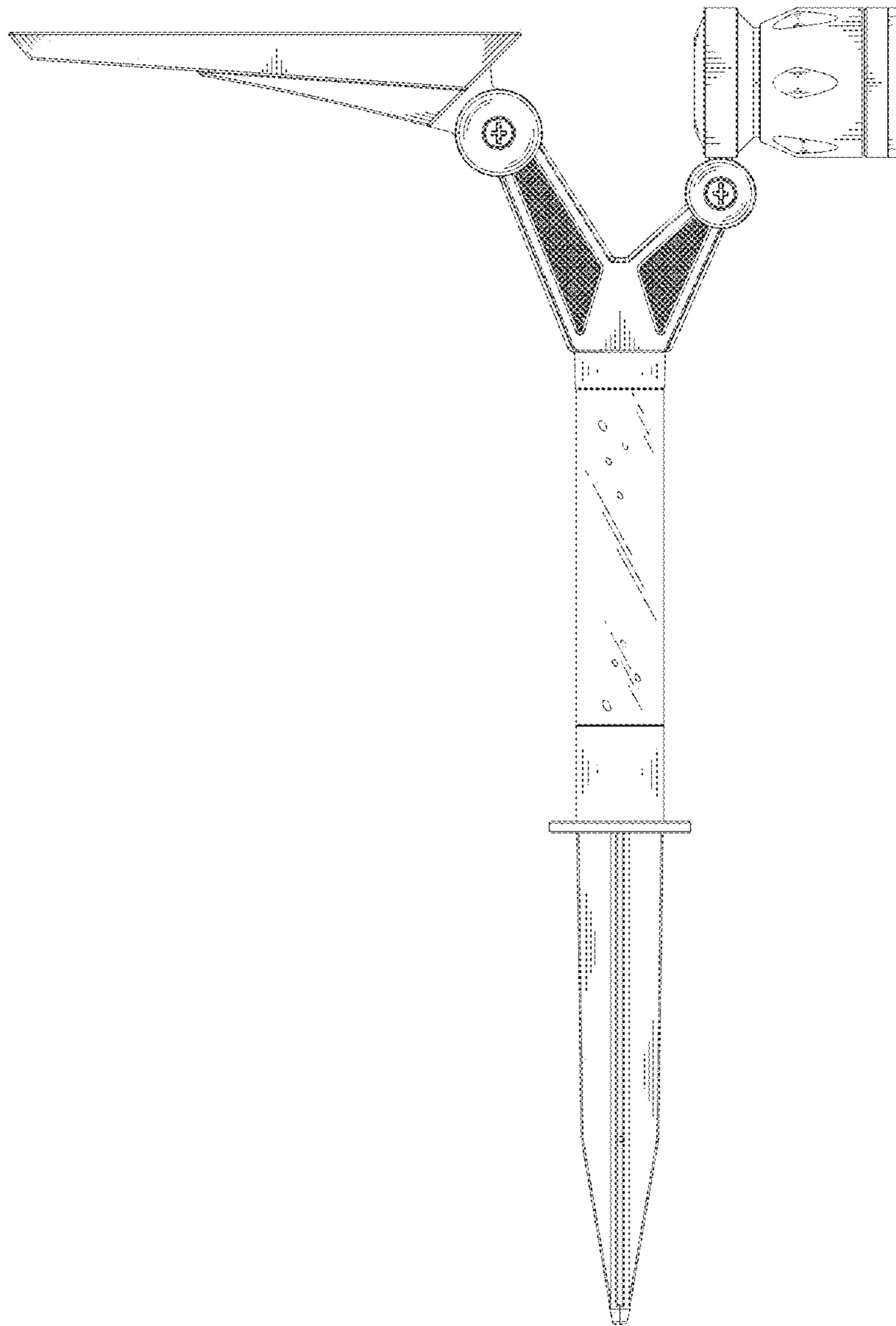


FIG. 3

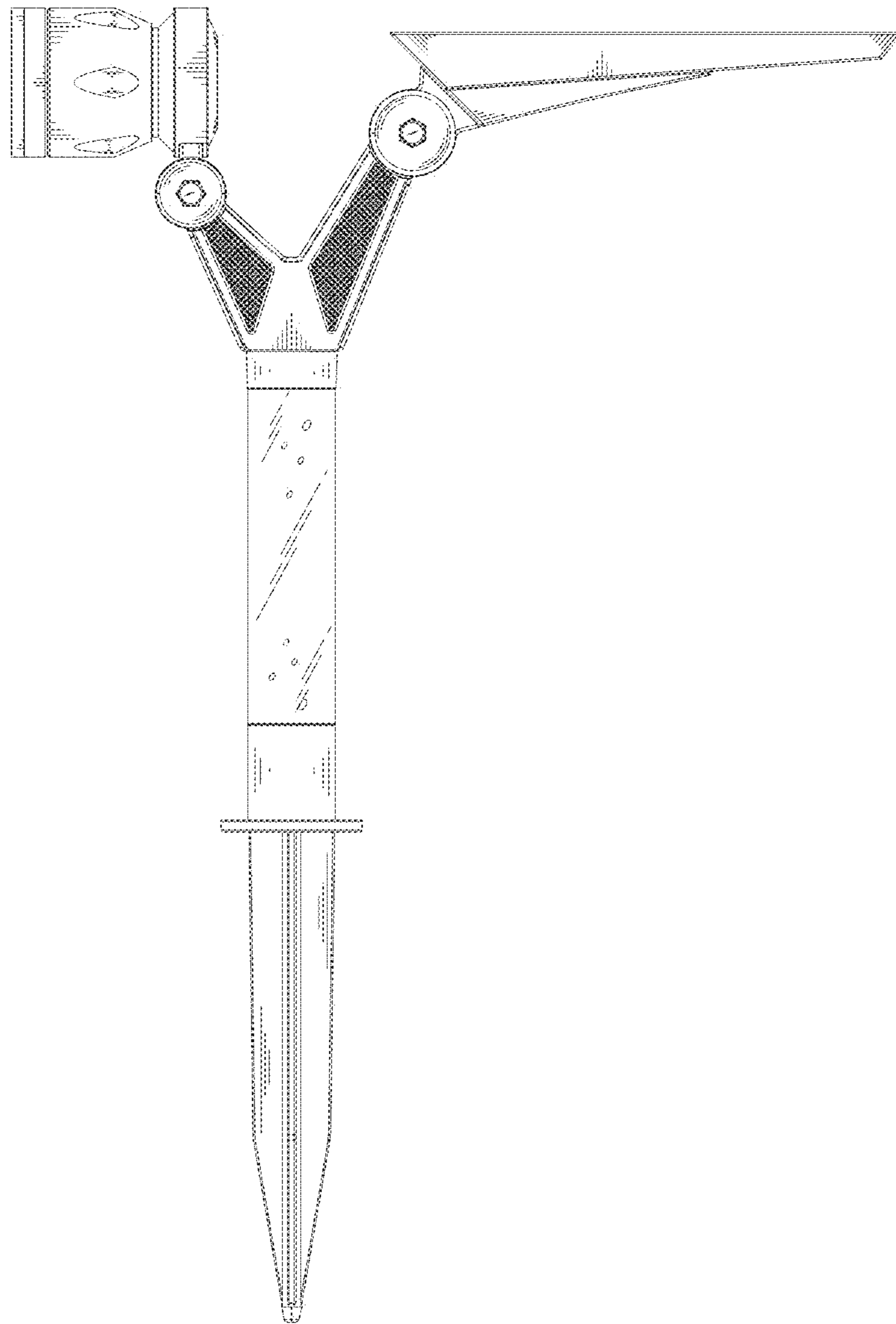


FIG. 4

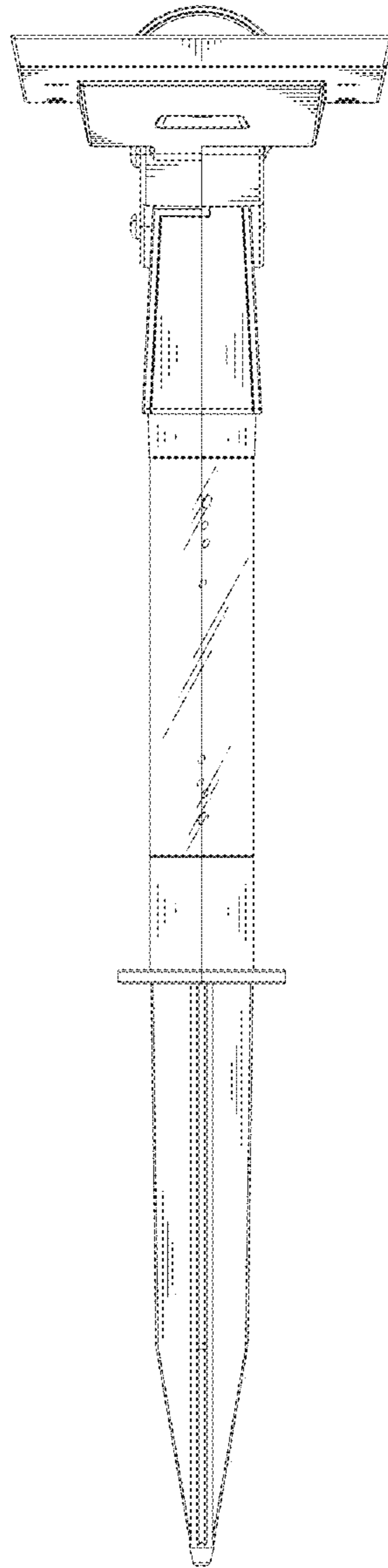


FIG. 5

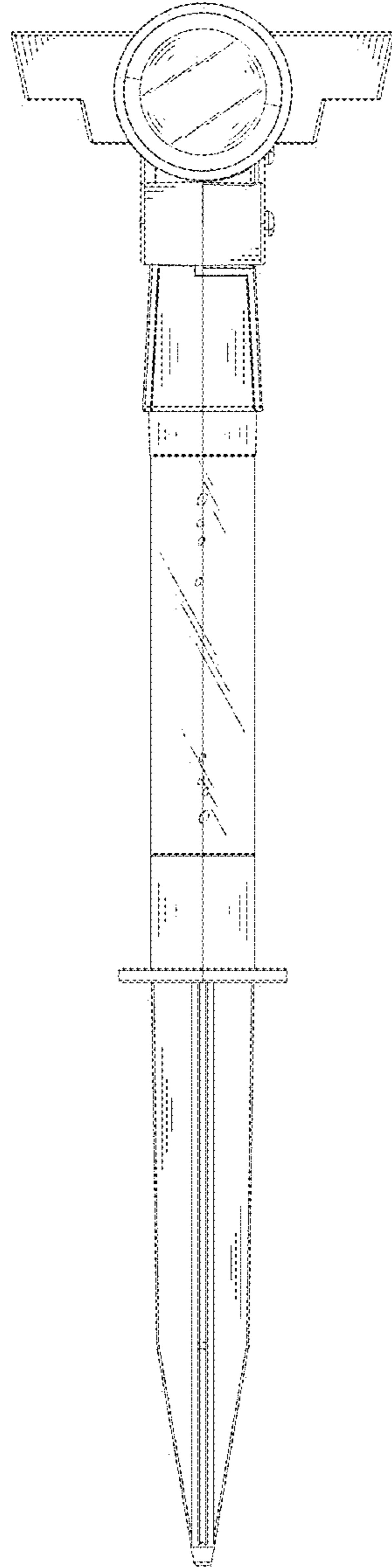


FIG. 6



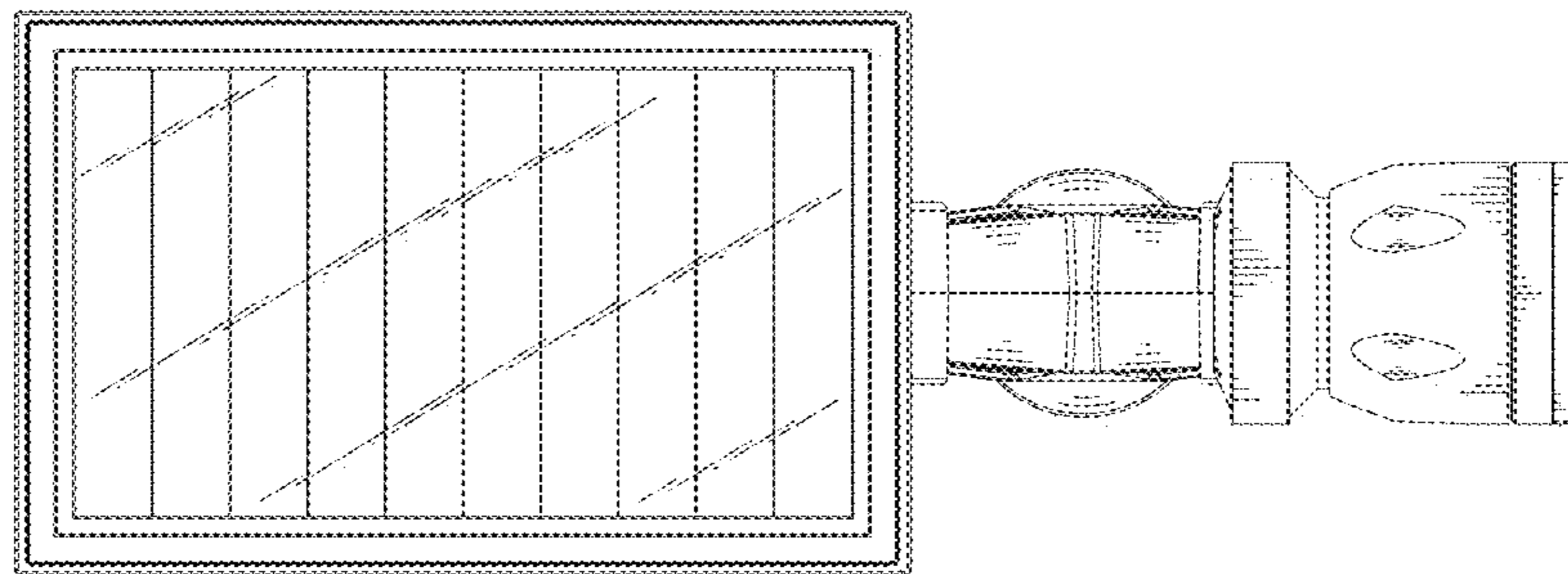


FIG. 7

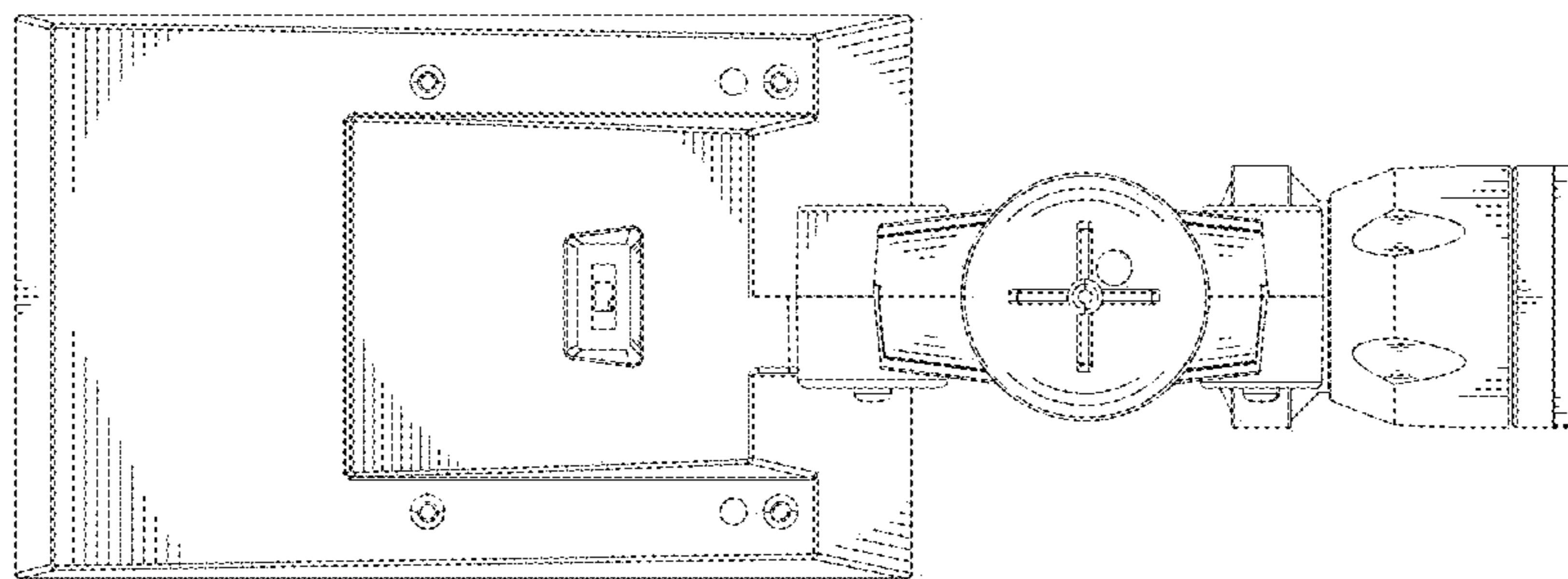


FIG. 8