



US00D973249S

(12) **United States Design Patent** (10) **Patent No.:** **US D973,249 S**
Workman et al. (45) **Date of Patent:** **** Dec. 20, 2022**

(54) **LANTERN** 1,660,194 A * 2/1928 Hamm B61L 9/02
362/181
(71) Applicant: **Barebones Systems, LLC**, Salt Lake 1,667,379 A * 4/1928 Handlan B61L 9/02
City, UT (US) 362/180
1,683,348 A * 9/1928 Hamm F21L 4/00
362/186

(72) Inventors: **Robert Emmett Workman**, Morgan,
UT (US); **David Jared Burton**, Payson,
UT (US)

(Continued)

FOREIGN PATENT DOCUMENTS

(73) Assignee: **Barebones Systems, LLC**, Salt Lake
City, UT (US)

CN 202130251108.9 * 9/2021

OTHER PUBLICATIONS

(**) Term: **15 Years**

Dressel Arlington NJ Railroad Lantern. By Dragbusman. Dated
Nov. 15, 2021. Found online [Nov. 15, 2021]. <https://www.ebay.com/itm/203698097918?hash=item2f6d5a4efe:g:mrQAAOSwqlRhkZdu> (Year: 2021).*

(21) Appl. No.: **29/739,202**

(Continued)

(22) Filed: **Jun. 23, 2020**

(51) **LOC (13) Cl.** **26-02**

(52) **U.S. Cl.**
USPC **D26/40**

(58) **Field of Classification Search**
USPC D26/24, 37-52, 93, 96, 104-107,
D26/113-114, 118-120, 123-124
CPC F21Y 2115/10; F21Y 2101/00
See application file for complete search history.

Primary Examiner — Marissa J Cash
Assistant Examiner — William B Melliar
(74) *Attorney, Agent, or Firm* — Morriss O’Bryant
Compagni Cannon, PLLC

(57) **CLAIM**

The ornamental design for a lantern, as shown and
described.

DESCRIPTION

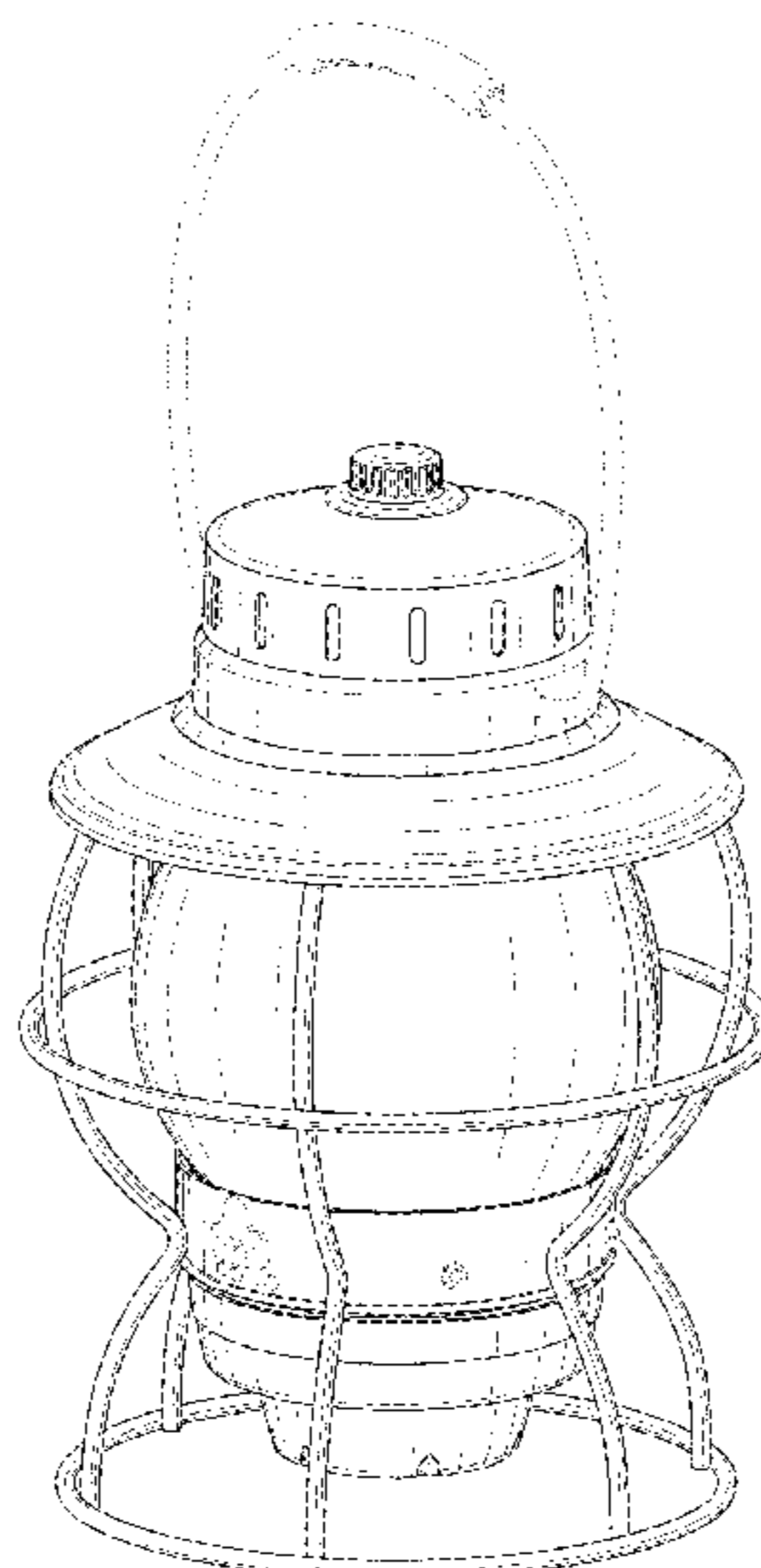
(56) **References Cited**

U.S. PATENT DOCUMENTS

D21,421 S * 3/1892 Wright D26/40
1,341,122 A * 5/1920 Hamm F23D 3/00
431/310
1,392,775 A * 10/1921 Liken F21L 19/00
246/488
1,405,007 A * 1/1922 Rolfes F21L 19/00
362/400
1,413,486 A * 4/1922 Johnson F21L 15/06
362/186
1,415,635 A * 5/1922 Hamm F21V 21/00
220/764
1,477,923 A * 12/1923 Welton F21L 19/00
362/167

FIG. 1 is a top left side perspective front side view of a
lantern of the present invention;
FIG. 2 is a back side perspective front side view of a lantern
of the present invention;
FIG. 3 is a front side view of the lantern;
FIG. 4 is a back side view of the lantern;
FIG. 5 is a right side view of the lantern;
FIG. 6 is a left side view of the lantern;
FIG. 7 is a top side view of the lantern; and,
FIG. 8 is a bottom side view of the lantern.
The broken lines in the drawings depict portions of the
lantern that form no part of the claimed design.

1 Claim, 8 Drawing Sheets



(56)

References Cited

U.S. PATENT DOCUMENTS

1,701,182 A * 2/1929 Handlan F21L 19/003
362/182
1,716,514 A * 6/1929 Brinkmeyer B61L 9/02
362/173
2,003,352 A * 6/1935 Evans F21L 19/00
362/180
D457,978 S * 5/2002 Cheong D26/67
D527,128 S * 8/2006 Lo D26/40
D537,966 S * 3/2007 Lo D26/40
D625,874 S * 10/2010 Sanoner D26/67
D809,687 S * 2/2018 Krantz D26/40
D829,363 S * 9/2018 Lan D26/119
D855,872 S * 8/2019 Lan D26/119
D868,735 S * 12/2019 Aicheng D14/207
D919,866 S * 5/2021 Workman D26/41
D935,660 S * 11/2021 Wang D26/40
2007/0274066 A1 * 11/2007 Lodhie F21L 4/00
362/183

OTHER PUBLICATIONS

Barebones Railroad Lantern Review. By Joey Kelley. Dated Sep. 27, 2020. Found online [Nov. 15, 2021]. <https://www.youtube.com/watch?v=2CkWUpdMVB8> (Year: 2020).*

* cited by examiner

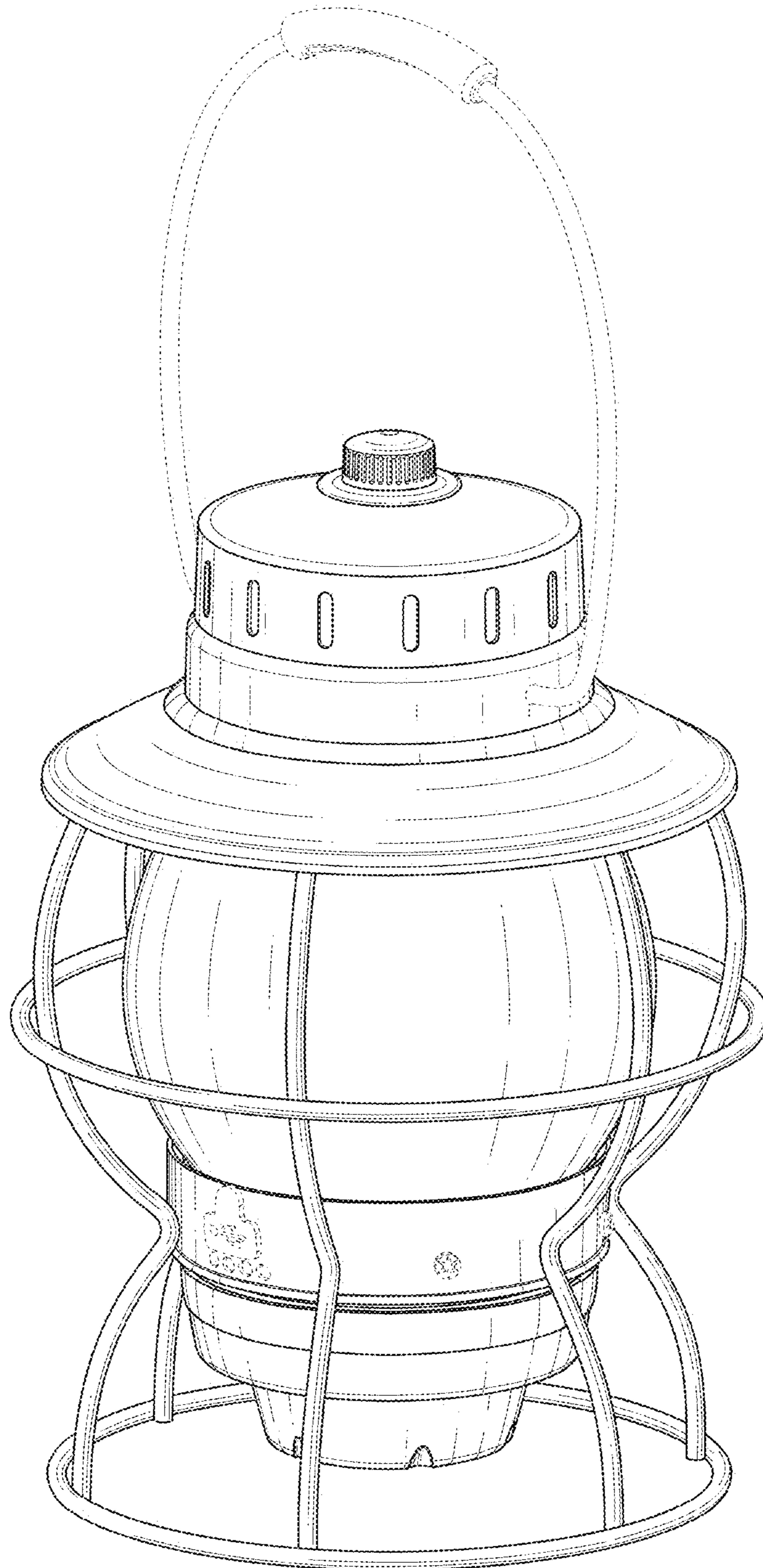


FIG. 1

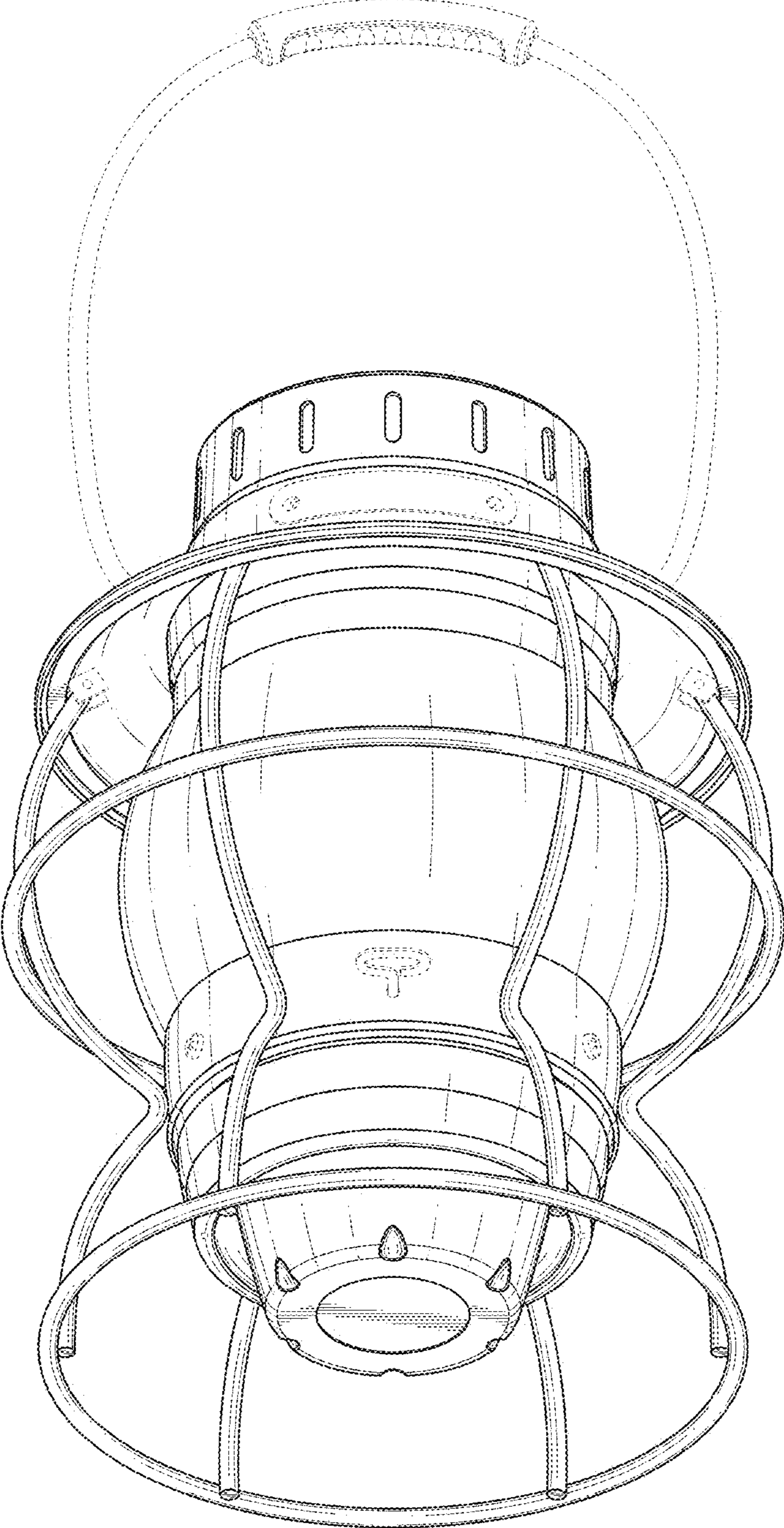


FIG. 2

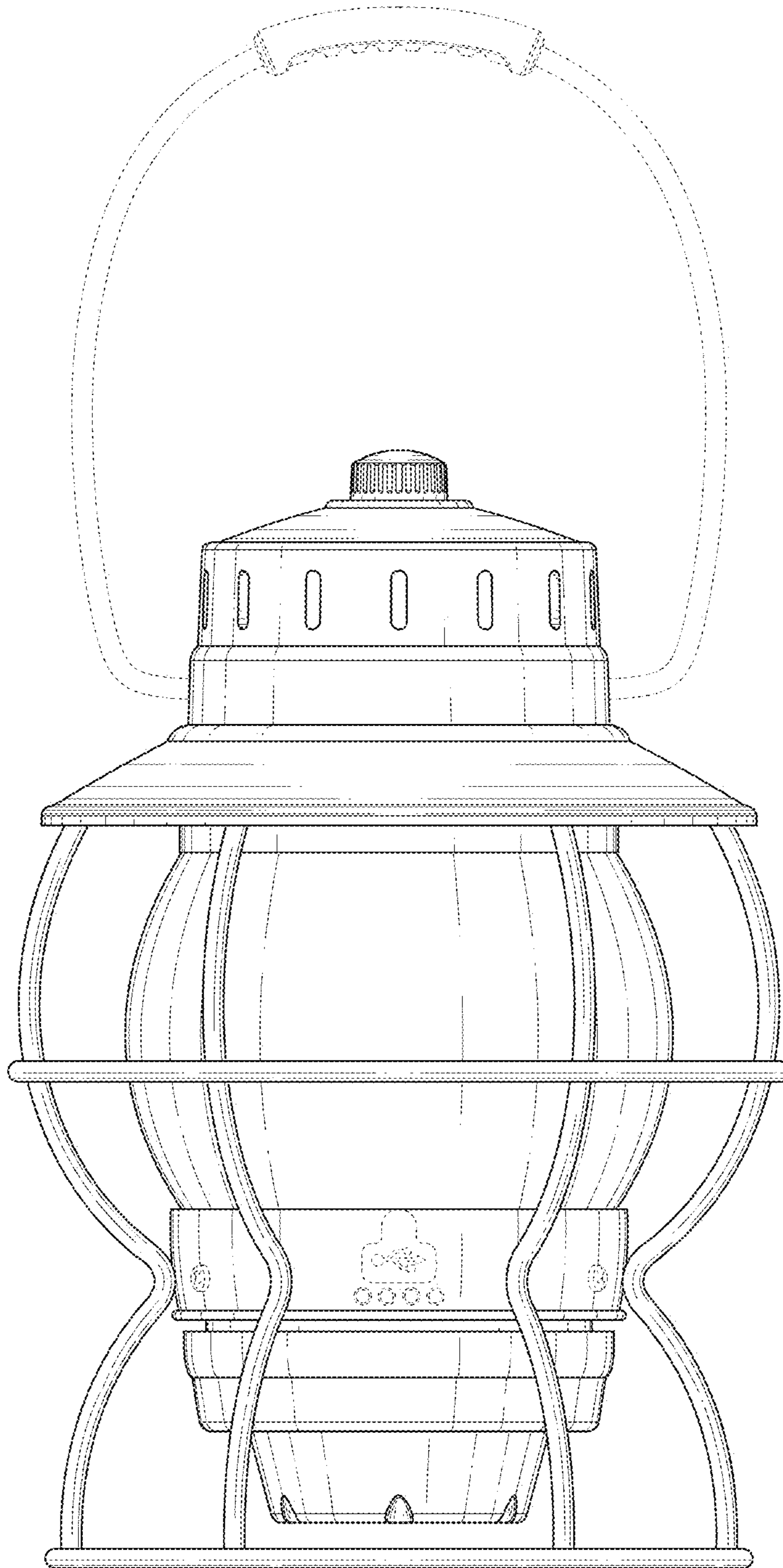


FIG. 3

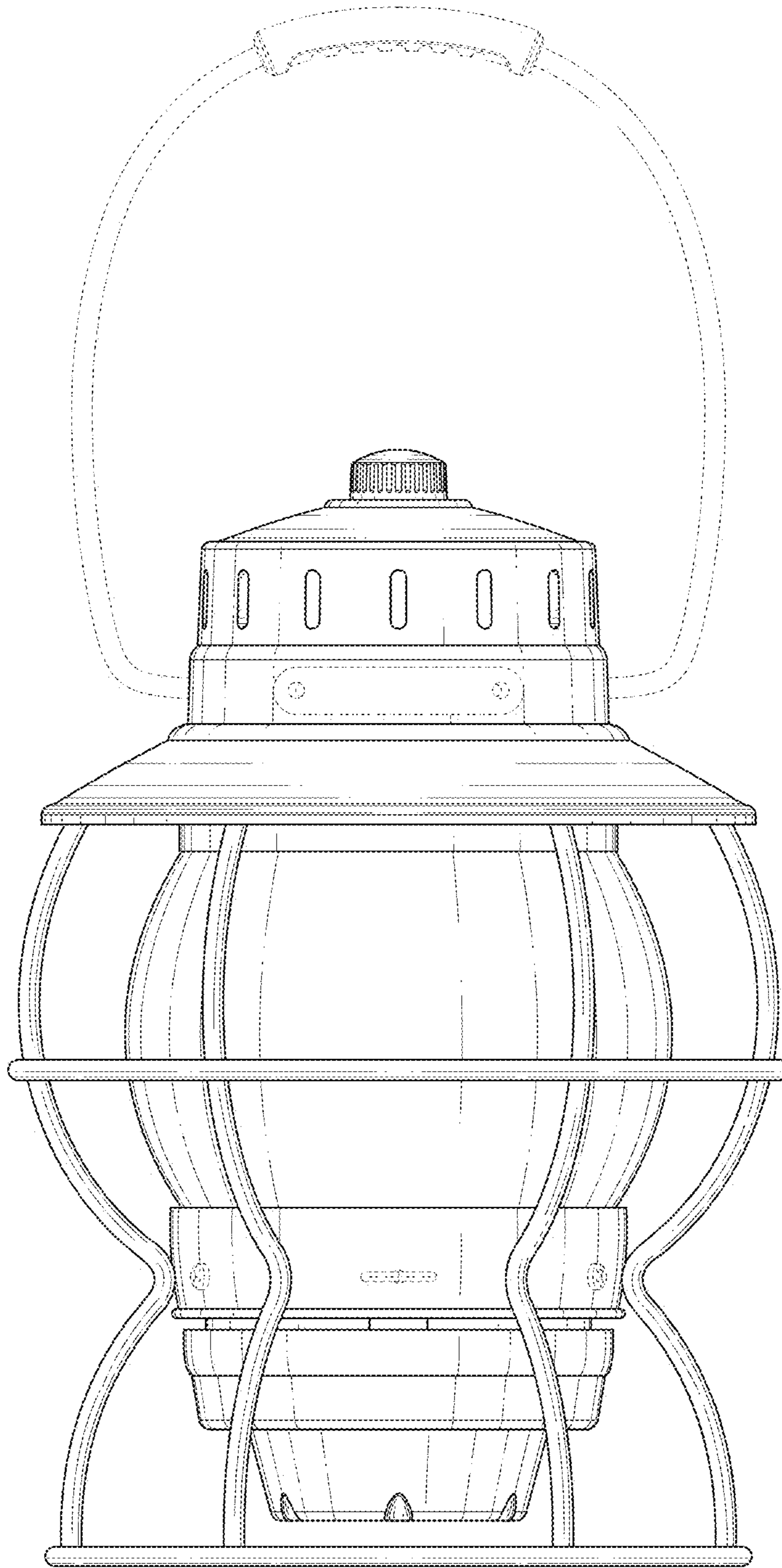


FIG. 4

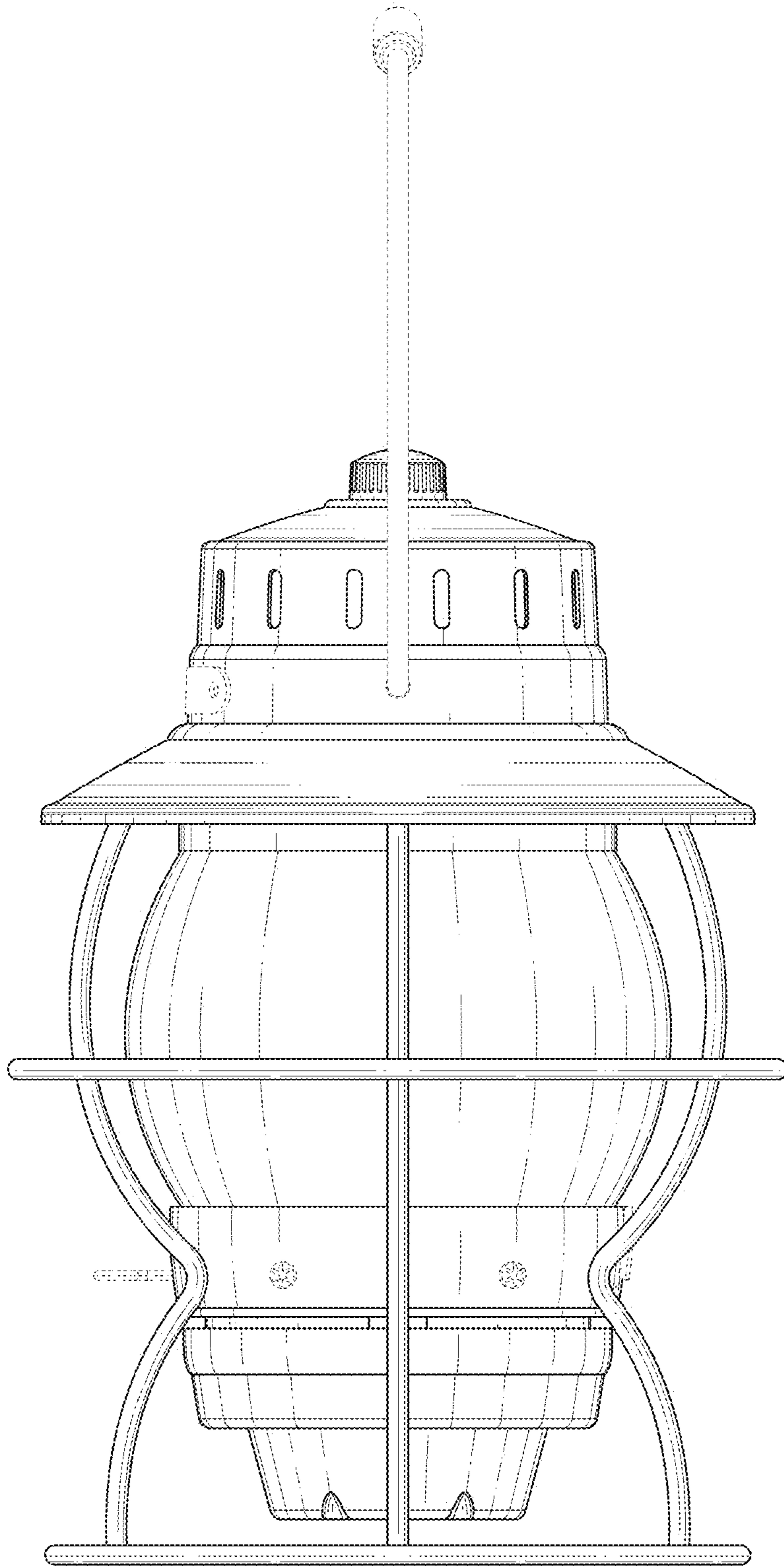


FIG. 5

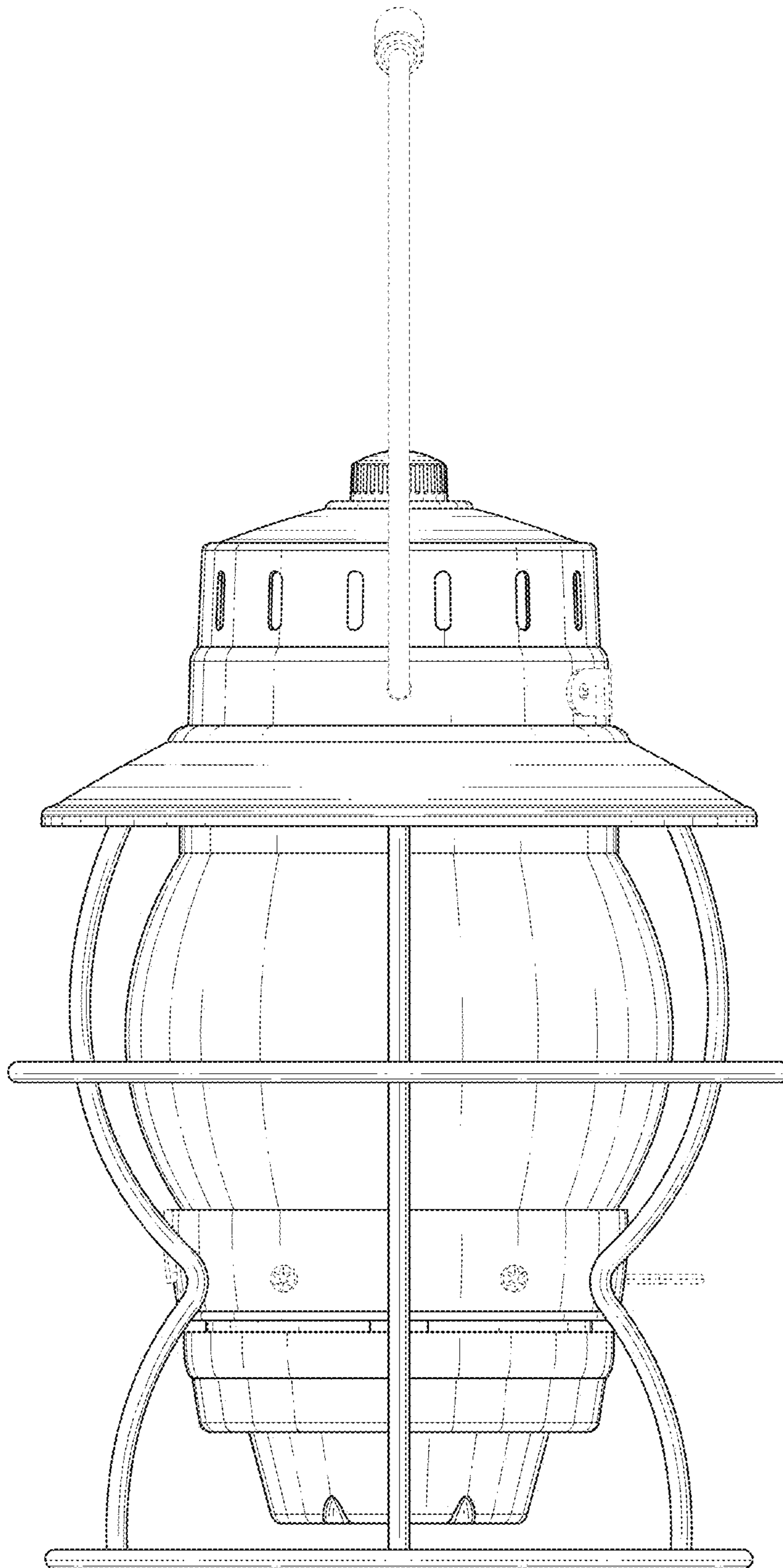


FIG. 6

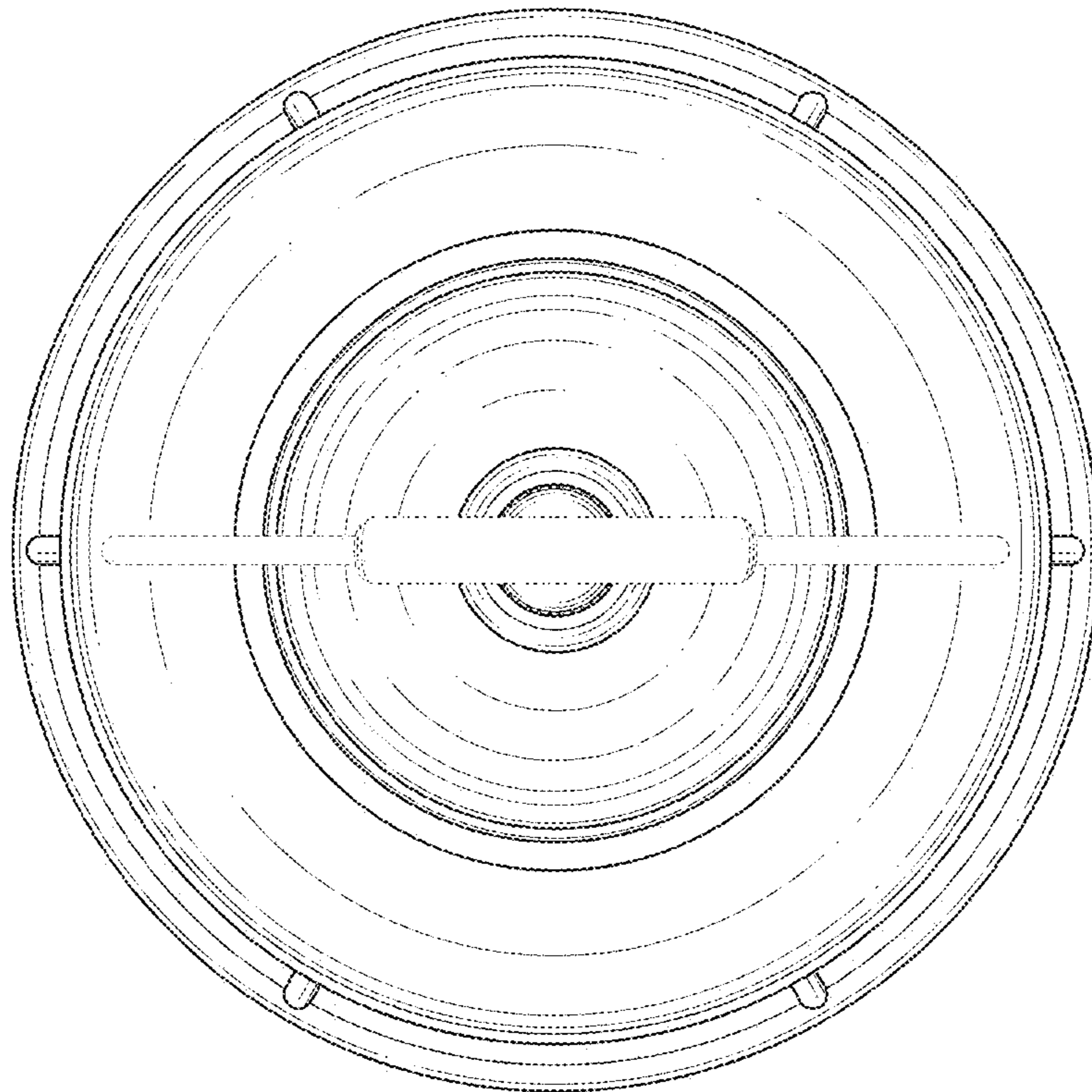


FIG. 7

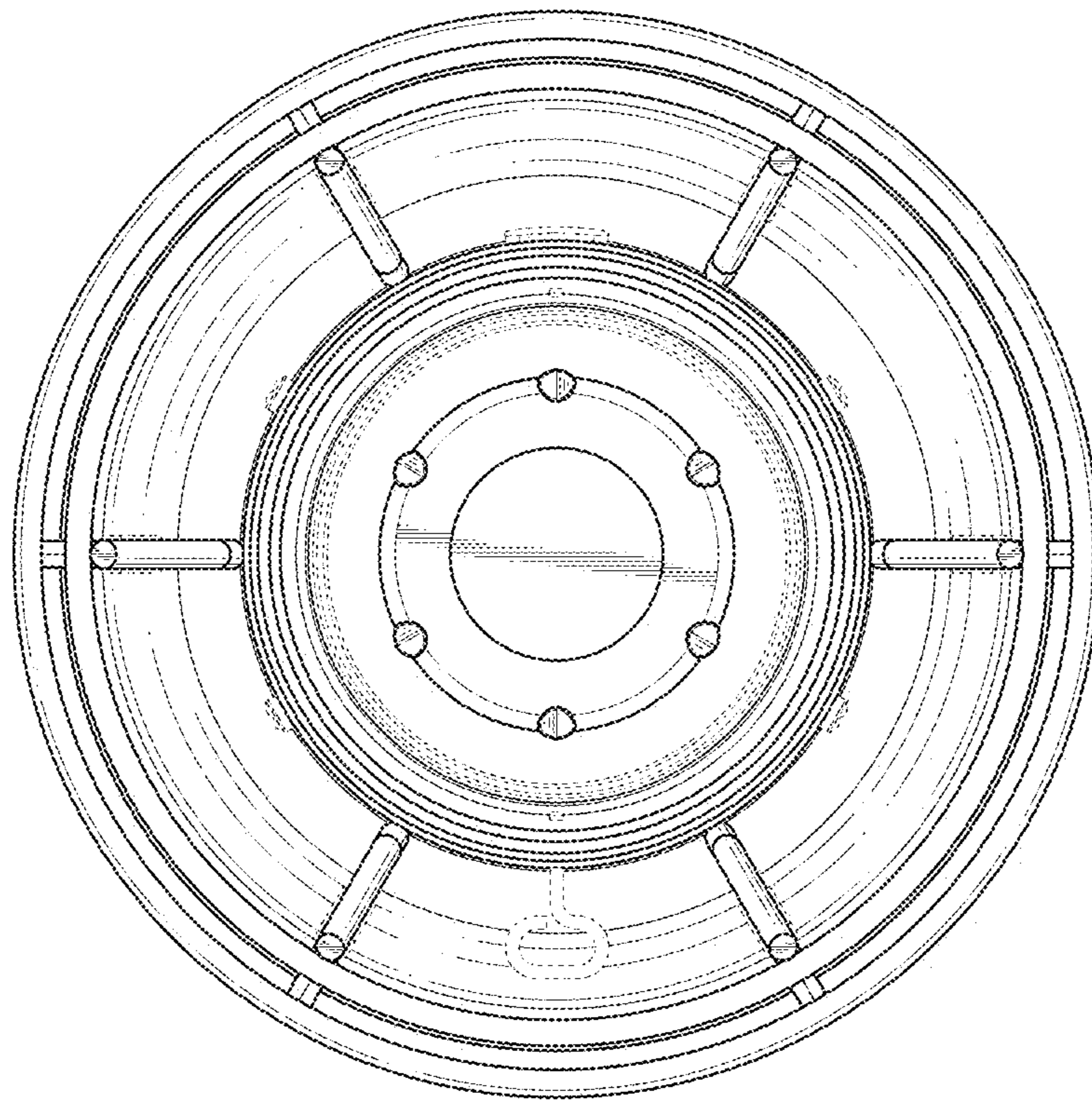


FIG. 8