



US00D973248S

(12) **United States Design Patent** (10) **Patent No.:** **US D973,248 S**
Mishan (45) **Date of Patent:** **** Dec. 20, 2022**

(54) **PORTABLE LANTERN**
(71) Applicant: **E. MISHAN & SONS, INC.**, New York, NY (US)

D648,054 S 11/2011 Zhuang
D703,356 S 4/2014 Grandadam
D705,682 S 5/2014 Stowers
(Continued)

(72) Inventor: **Jeffrey Mishan**, New York, NY (US)

FOREIGN PATENT DOCUMENTS

(73) Assignee: **E. MISHAN & SONS, INC.**, New York, NY (US)

CN 303043767 * 12/2014
EM 000070032-0001 8/2003
(Continued)

(**) Term: **15 Years**

OTHER PUBLICATIONS

(21) Appl. No.: **29/766,963**

Nebo Worklight 2 Cob LED Work Light. By Nebo. Dated Jul. 24, 2015. Found online [Mar. 31, 2022]. <https://www.amazon.com/NEBO-NEBO-6305-6305-Black-Orange/dp/B012HM9ITC> (Year: 2015).*

(22) Filed: **Jan. 19, 2021**

(51) **LOC (13) Cl.** **26-02**

(52) **U.S. Cl.**
USPC **D26/38**

(58) **Field of Classification Search**
USPC D26/24, 37-52, 60-61, 113, 138
CPC F21Y 2115/10; F21Y 2103/10; F21Y 2105/10; F21Y 2101/00; F21Y 2113/00; F21V 21/08; F21V 21/406; F21V 21/0965; F21V 21/0885; F21V 27/005; F21V 21/145; F21V 23/0414; F21V 15/01; F21V 14/025; F21V 5/006; F21V 14/045; F21V 21/0925; F21V 21/14; F21V 9/083; F21L 14/023; F21L 4/00; F21L 4/08; F21L 4/04; F21L 14/02; F21L 4/02; F21L 4/027; F21L 14/00; F21L 4/045; F21L 4/085; F21W 2111/10
See application file for complete search history.

(Continued)

Primary Examiner — Marissa J Cash
Assistant Examiner — William B Melliar
(74) *Attorney, Agent, or Firm* — Notaro, Michalos & Zaccaria P.C.

(57) **CLAIM**

The ornamental design for a portable lantern, as shown and described.

DESCRIPTION

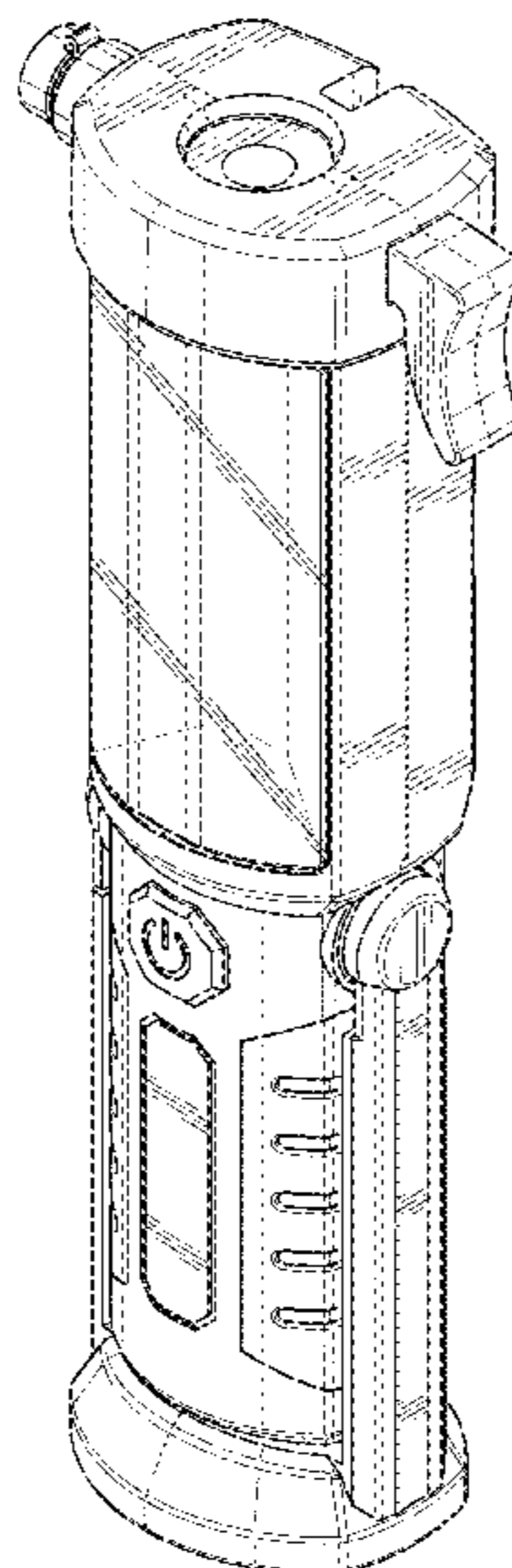
FIG. 1 is a top, front, left perspective view of a portable lantern showing my design;
FIG. 2 is a front elevational view thereof;
FIG. 3 is a rear elevational view thereof;
FIG. 4 is a left elevational view thereof;
FIG. 5 is a right elevational view thereof;
FIG. 6 is a top plan view thereof; and,
FIG. 7 is a bottom plan view thereof.
The broken lines immediately adjacent the shaded surfaces depict the bounds of the claim that forms no part of the claimed design. All other broken lines depict portions of the portable lantern that form no part thereof.

(56) **References Cited**

U.S. PATENT DOCUMENTS

D403,452 S 12/1998 Kim
D459,190 S 6/2002 Chen
D515,720 S * 2/2006 Kim D26/38
D533,290 S 12/2006 Lo
D577,562 S 9/2008 Lin

1 Claim, 6 Drawing Sheets



(56)

References Cited

U.S. PATENT DOCUMENTS

8,905,572	B2 *	12/2014	Mueckl	F21V 21/06 362/186
D734,118	S	7/2015	Goldy	
D737,488	S *	8/2015	Chen	D26/42
D739,063	S *	9/2015	Su	D26/42
D742,568	S *	11/2015	Abernethy	D26/42
D757,971	S *	5/2016	Kovacik	D26/37
D757,973	S	5/2016	Zhang	
D766,478	S *	9/2016	Zhang	D26/44
D818,165	S *	5/2018	Lu	D26/42
D818,166	S	5/2018	Bao	
D850,684	S *	6/2019	Zhang	D26/44
D875,285	S *	2/2020	Prieto	D26/37
2013/0258649	A1 *	10/2013	Mueckl	F21V 21/06 362/217.12
2016/0356439	A1 *	12/2016	Inskeep	F21L 4/08
2017/0138587	A1 *	5/2017	Lu	F21V 33/0064

FOREIGN PATENT DOCUMENTS

EM	004396851-0001	10/2017
EM	004559524-0001	12/2017
EM	005827078-0004	11/2018

OTHER PUBLICATIONS

Rechargeable LED Work Light. By ManoMano. No Date. Found online [Mar. 31, 2022]. <https://www.manomano.co.uk/p/rechargeable-led-work-light-with-magnetic-led-torch-light-2200mah-cob-led-650lm-3w-for-auto-garage-workshop-camping-diy-red-red-49174993> (Year: 2022).*

Magnetic LED Work Light. By Executive Advertising. No Date. Found online [Mar. 31, 2022]. https://www.executiveadvertising.com/custom-magnetic-led-work-light-338251?utm_source=google&utm_medium=cpc&utm_campaign=Shopping%20Campaign%20L1&gclid=EAIaIQobChMIs8bEI_nw9glVAeazCh3rPgm0EAQYBSABEGLySfD_BwE (Year: 2022).* Webpage at <https://www.qvc.com/SecureBrite-S4-9-in-1-Emergency-Auto-Tool-with-Flashlight.product.V37280.html> (retrieved Dec. 15, 2020).

* cited by examiner

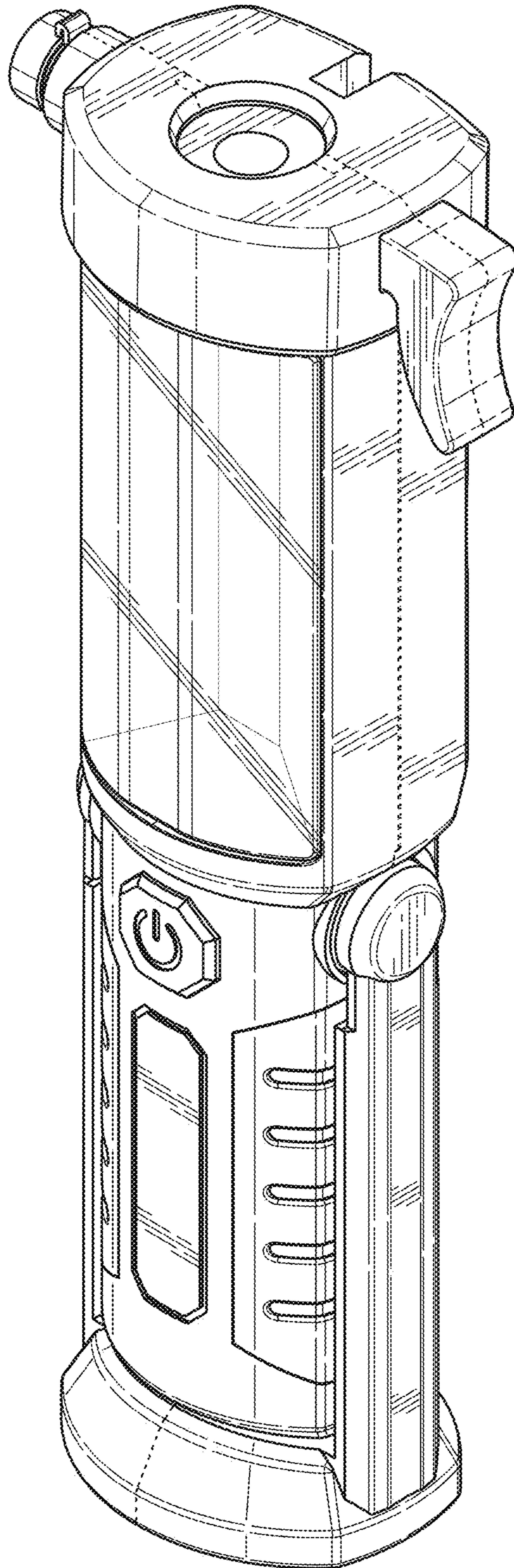


FIG. 1

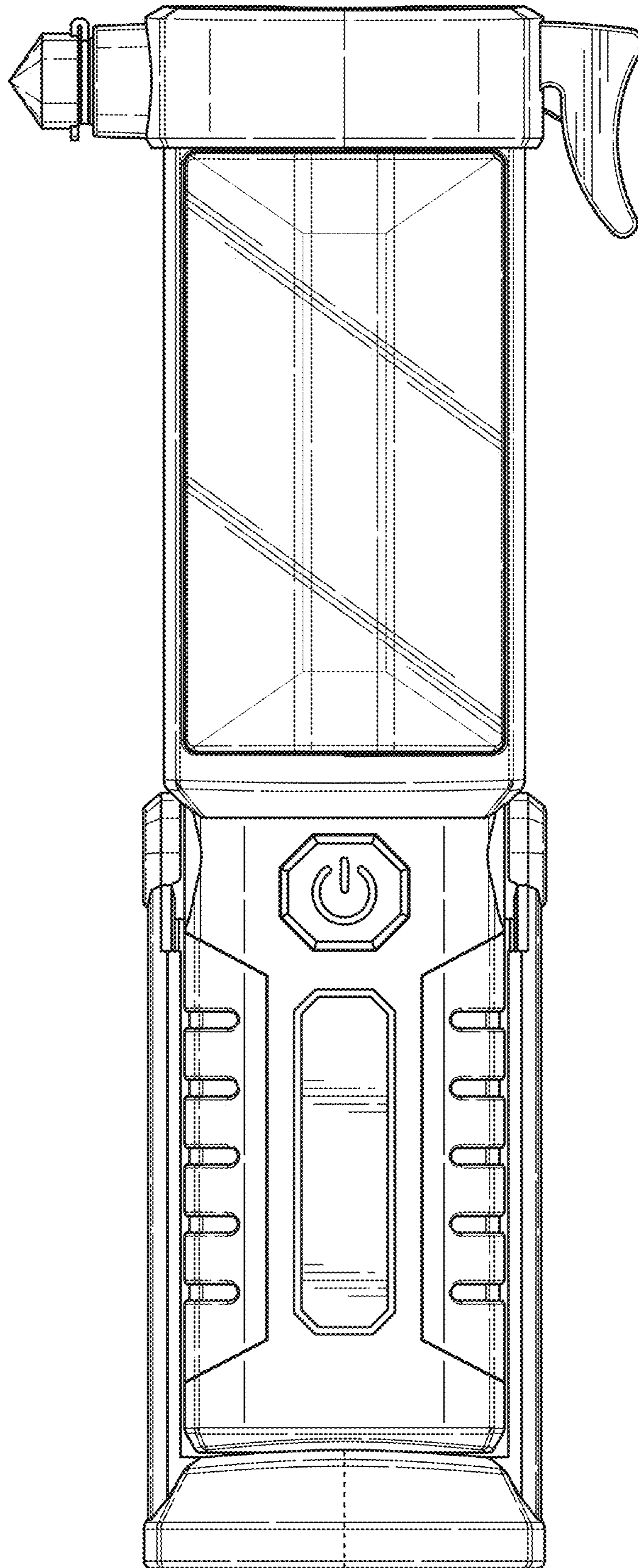


FIG. 2

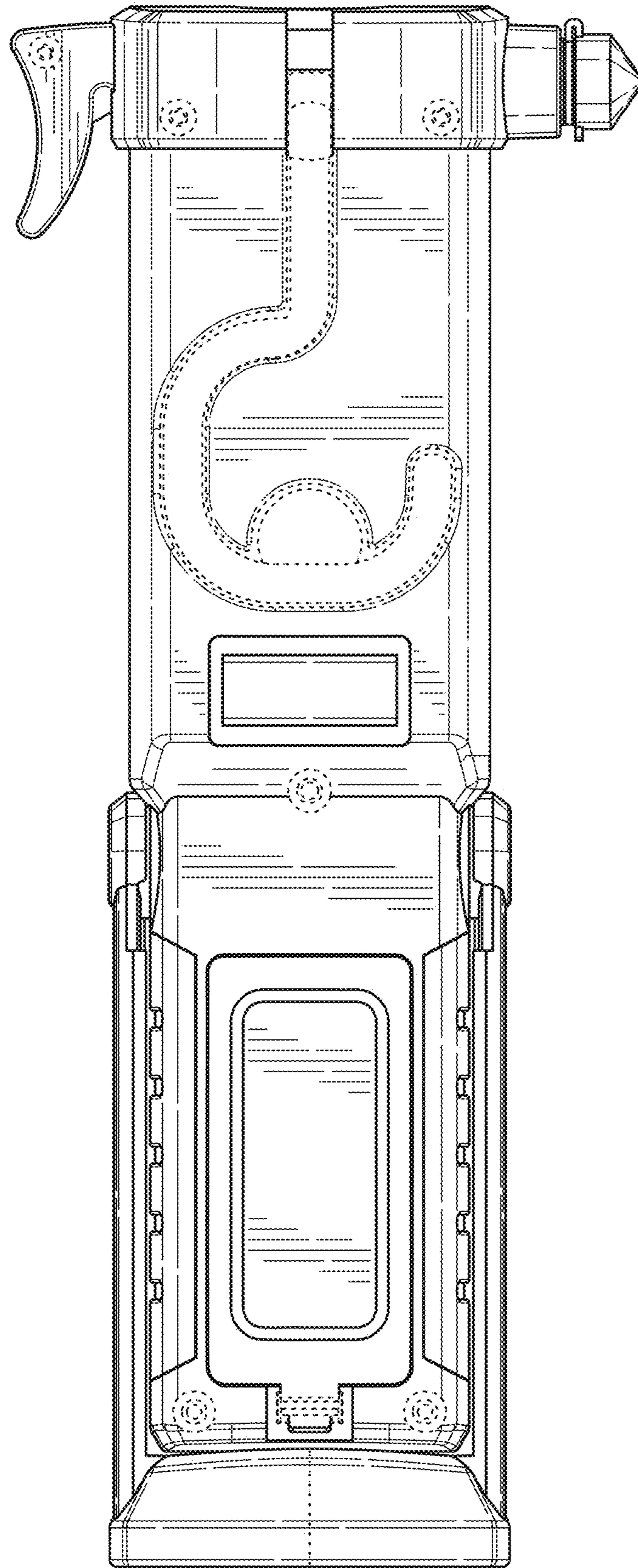


FIG. 3

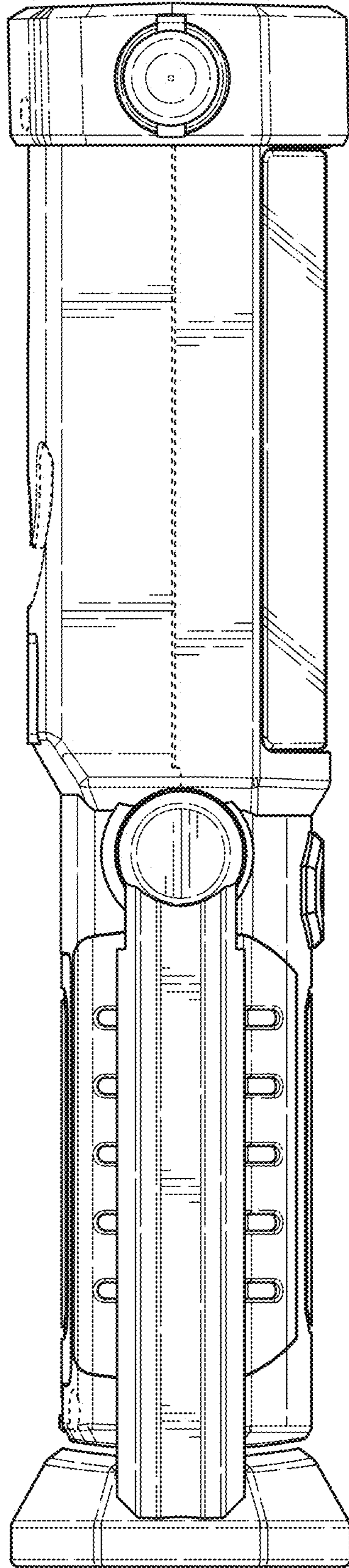


FIG. 4

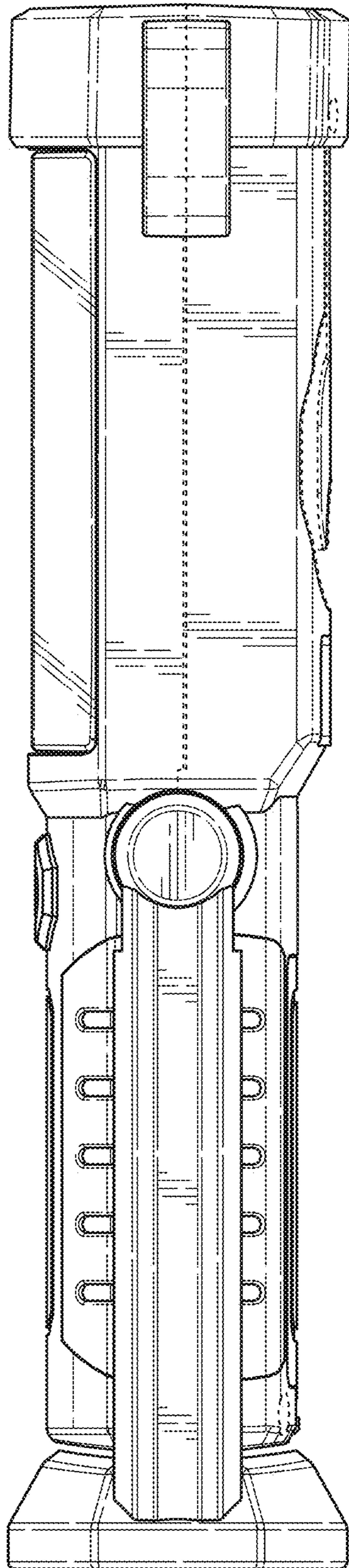


FIG. 5

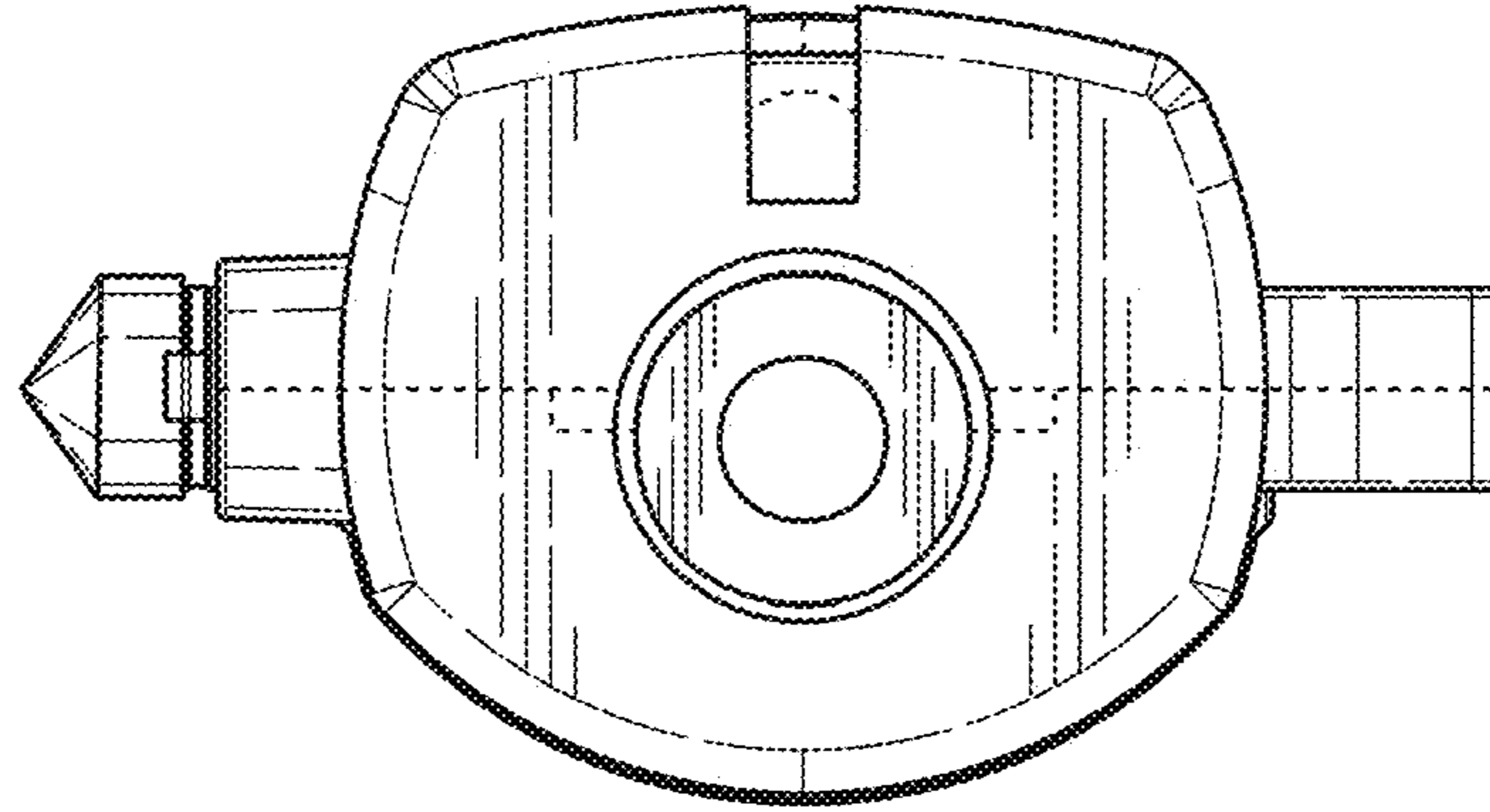


FIG. 6

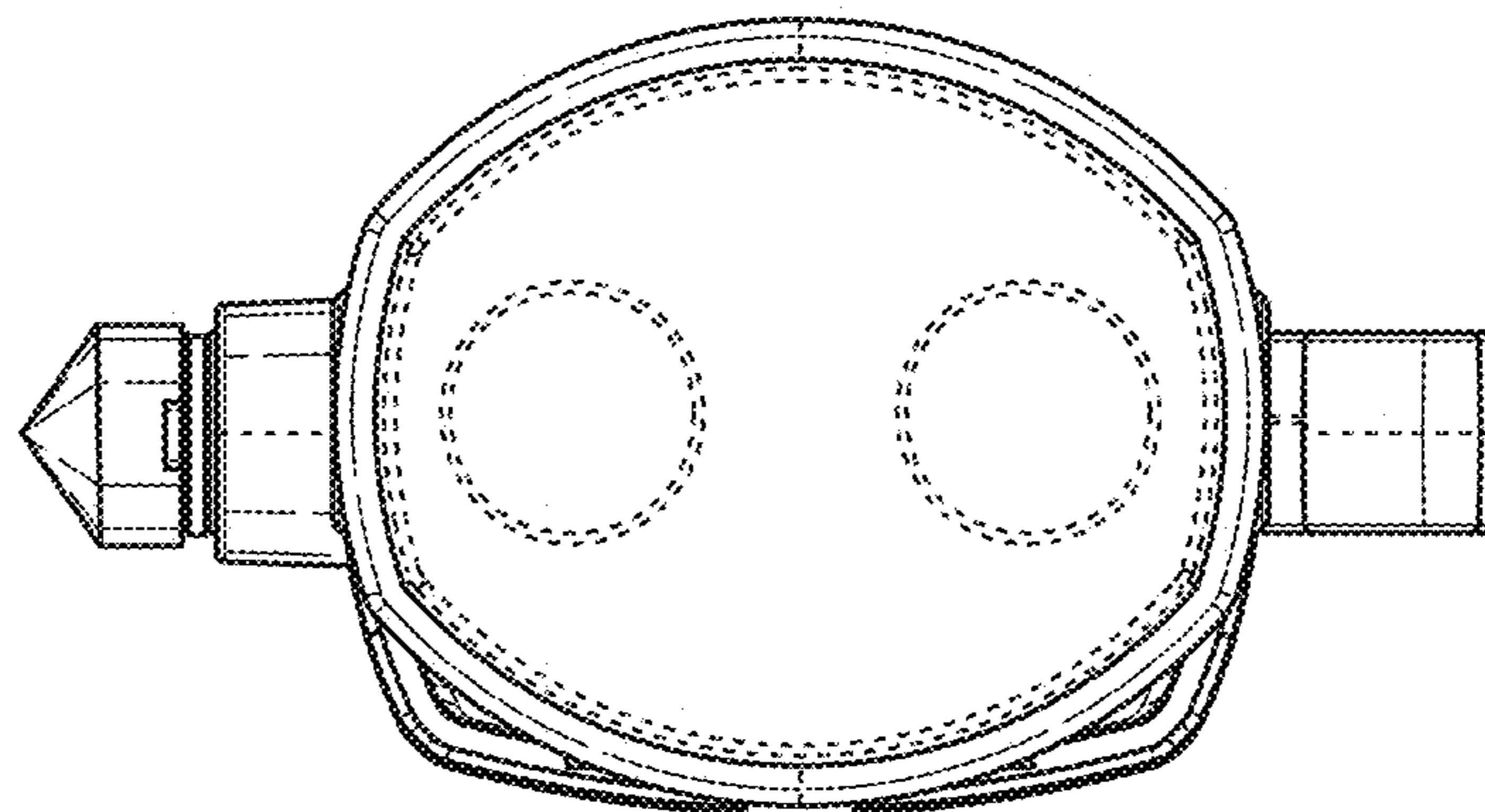


FIG. 7