



US00D973247S

(12) **United States Design Patent**  
**McGovern, Jr.**

(10) **Patent No.:** **US D973,247 S**

(45) **Date of Patent:** **\*\* Dec. 20, 2022**

(54) **FLASHLIGHT**

(71) Applicant: **Roy Burke McGovern, Jr.**, Corning,  
NY (US)

(72) Inventor: **Roy Burke McGovern, Jr.**, Corning,  
NY (US)

(\*\*) Term: **15 Years**

(21) Appl. No.: **29/772,184**

(22) Filed: **Feb. 26, 2021**

(51) **LOC (13) Cl.** ..... **26-02**

(52) **U.S. Cl.**  
USPC ..... **D26/37**

(58) **Field of Classification Search**  
USPC ..... D26/24, 37-52, 113, 138  
CPC ..... F21Y 2115/10; F21Y 2101/00; F21Y  
2113/13; F21Y 2113/00; F21Y 2113/17;  
F21V 23/0414; F21V 15/01; F21V  
21/0885; F21V 14/045; F21V 14/025;  
F21V 21/145; F21V 21/406; F21V  
21/0965; F21V 5/006; F21V 14/065;  
F21V 7/0075; F21V 9/083; F21V 13/045;  
F21V 21/0925; F21L 4/005; F21L 4/027;  
F21L 4/00; F21L 2/00; F21L 4/085; F21L  
15/02; F21L 4/04; F21L 4/045

See application file for complete search history.

(56) **References Cited**

**U.S. PATENT DOCUMENTS**

D133,969 S \* 9/1942 Warren ..... D26/37  
D249,535 S \* 9/1978 Cantor ..... D26/50

D350,885 S \* 9/1994 Sperling ..... D8/30  
D400,275 S \* 10/1998 Huntting ..... D26/37  
D505,215 S \* 5/2005 Tally ..... D26/37  
D549,863 S \* 8/2007 Garrity ..... D26/45  
D785,839 S \* 5/2017 Anderson ..... D26/37  
D790,099 S \* 6/2017 Pius ..... D26/46  
2021/0388953 A1\* 12/2021 McGovern, Jr. .... F21V 7/0075

\* cited by examiner

*Primary Examiner* — Marissa J Cash

*Assistant Examiner* — William B Melliar

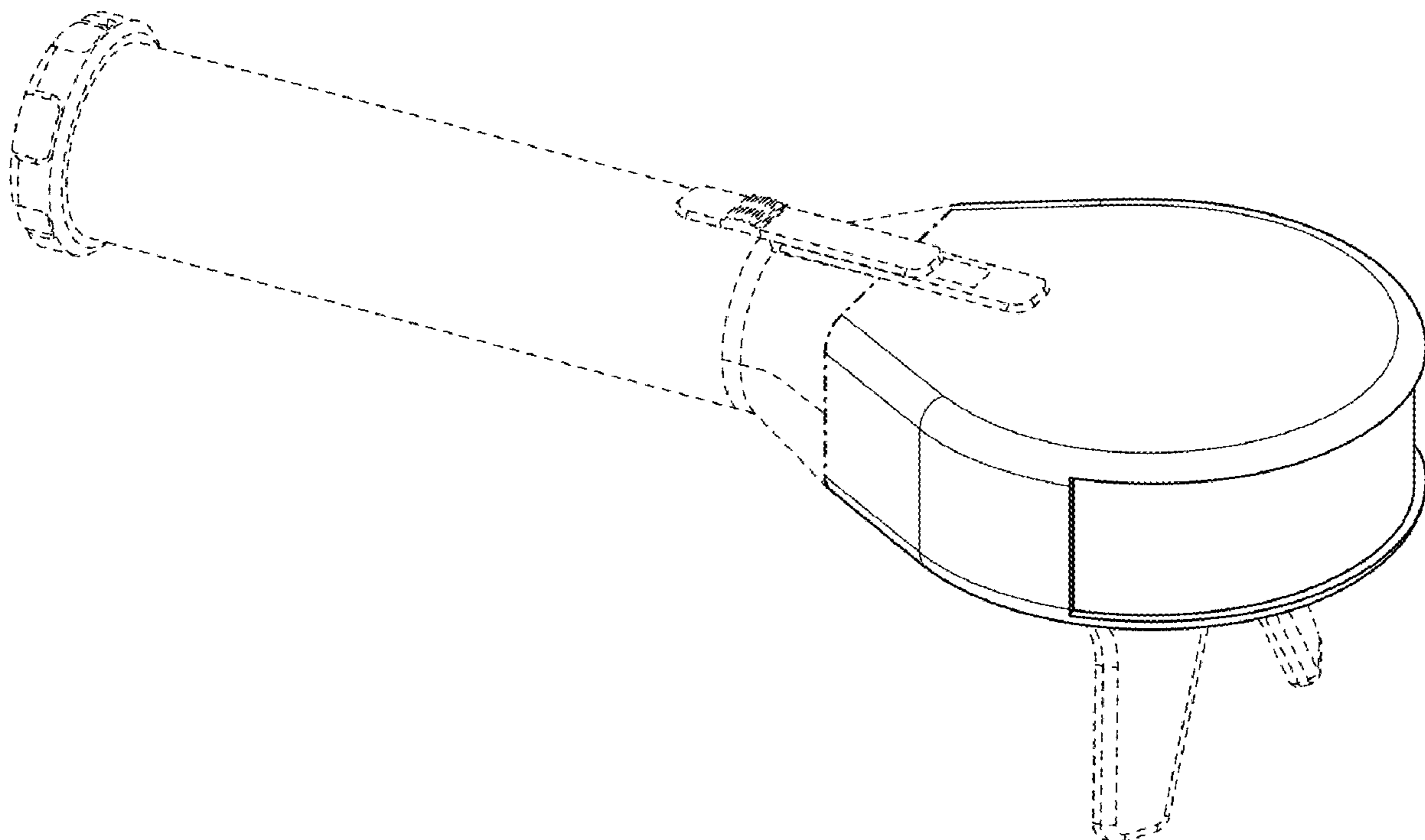
(57) **CLAIM**

The ornamental design for a flashlight, as shown and described.

**DESCRIPTION**

FIG. 1 is a perspective view of a flashlight.  
FIG. 2 is a top view of the flashlight of FIG. 1.  
FIG. 3 is a bottom view of the flashlight of FIG. 1.  
FIG. 4 is a right-side view of the flashlight of FIG. 1.  
FIG. 5 is a left-side view of the flashlight of FIG. 1.  
FIG. 6 is a rear view of the flashlight of FIG. 1; and,  
FIG. 7 is a front view of the flashlight of FIG. 1.  
The broken lines depict portions of the flashlight that form no part of the claimed design. The dash-dot-dash lines depict the bounds of the claim and form no part thereof.

**1 Claim, 2 Drawing Sheets**



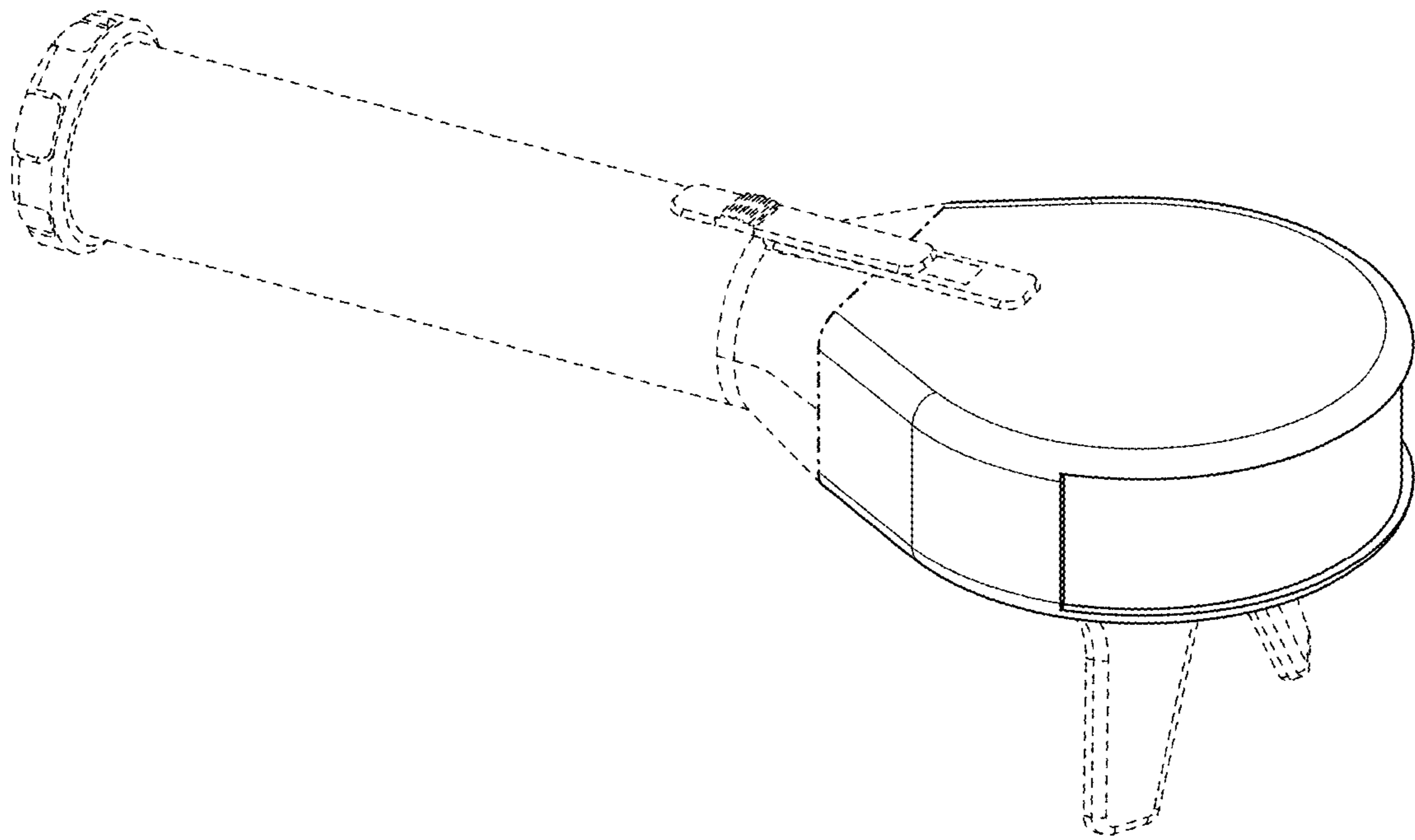


FIG. 1

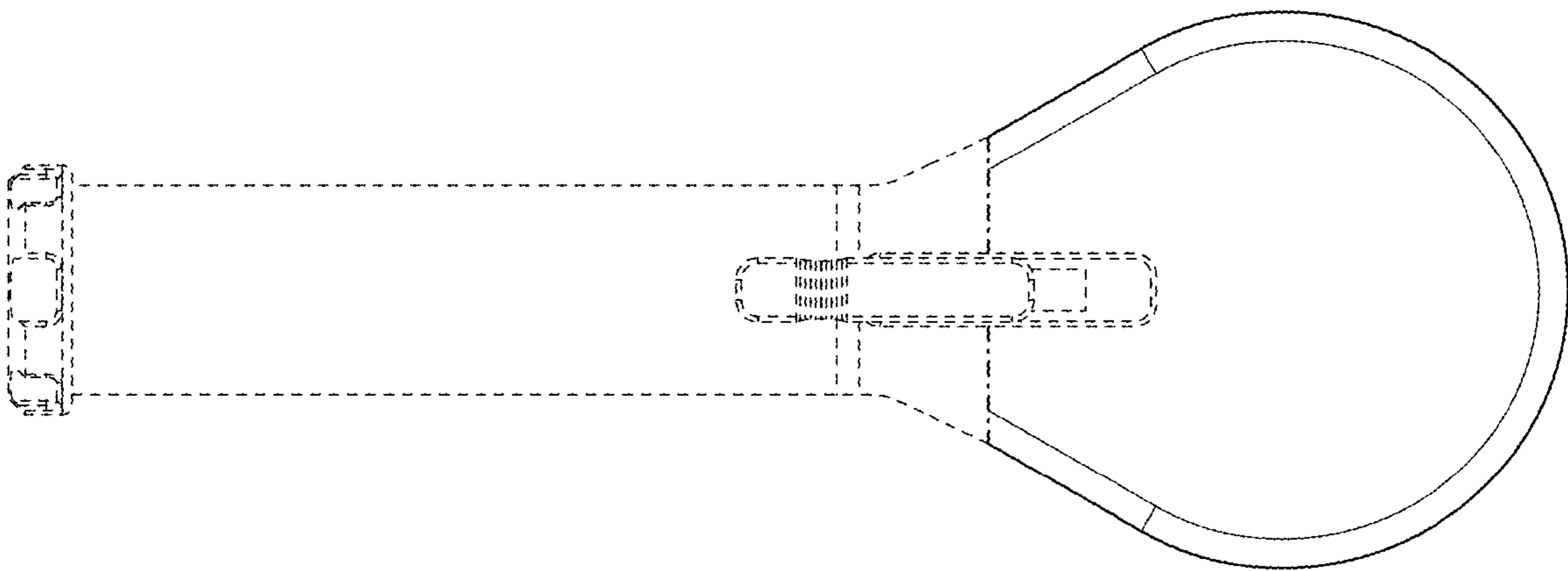


FIG. 2

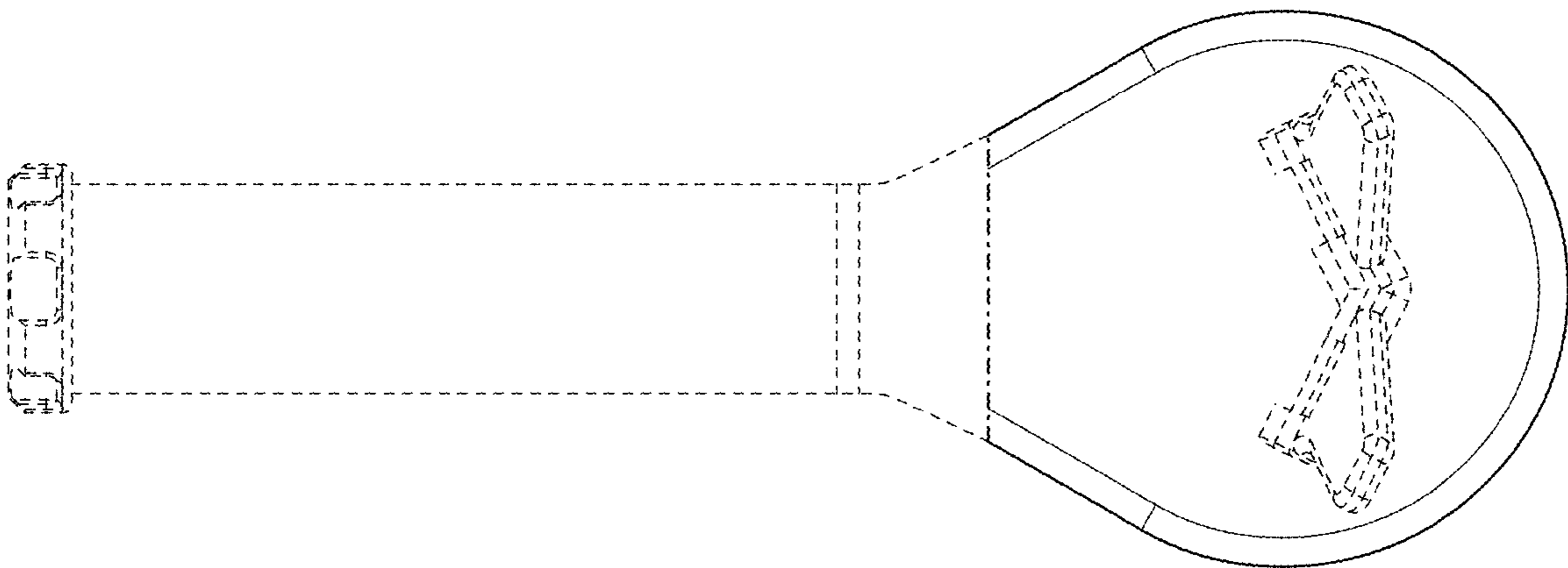


FIG. 3

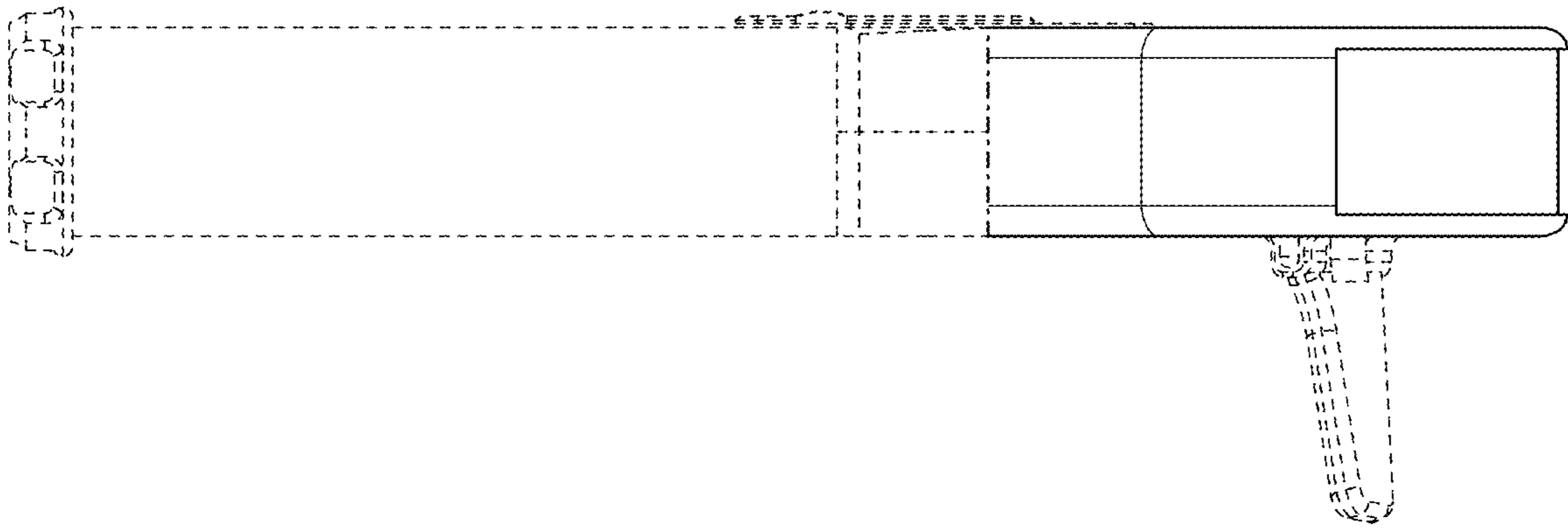


FIG. 4

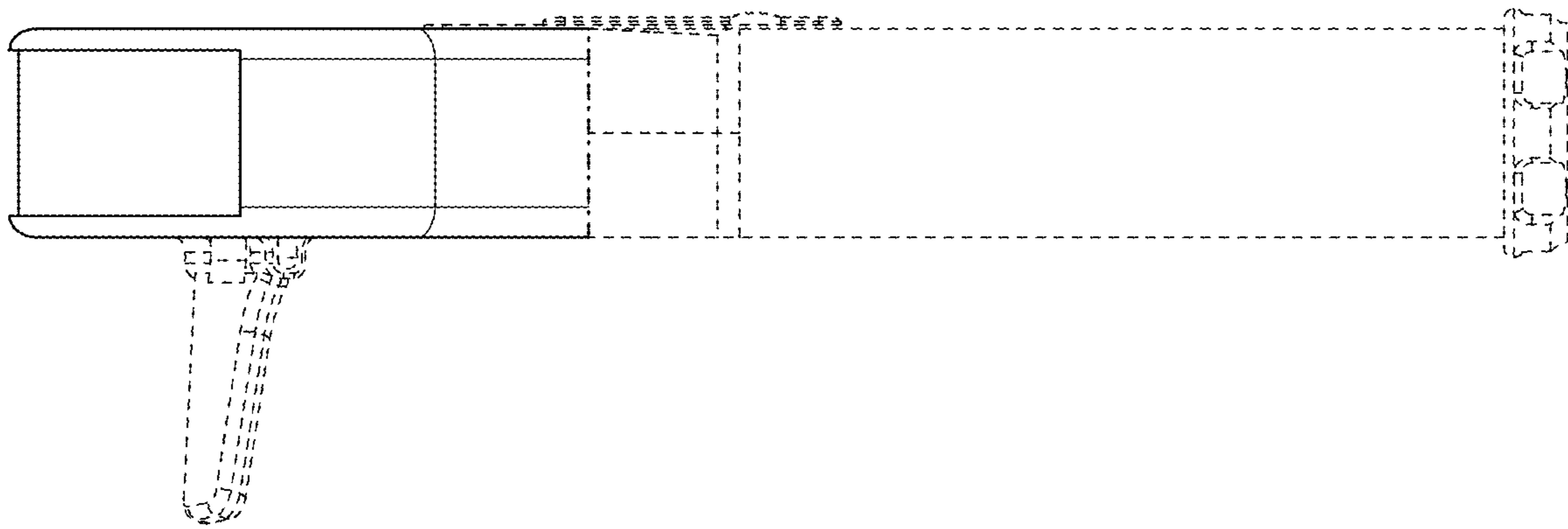


FIG. 5

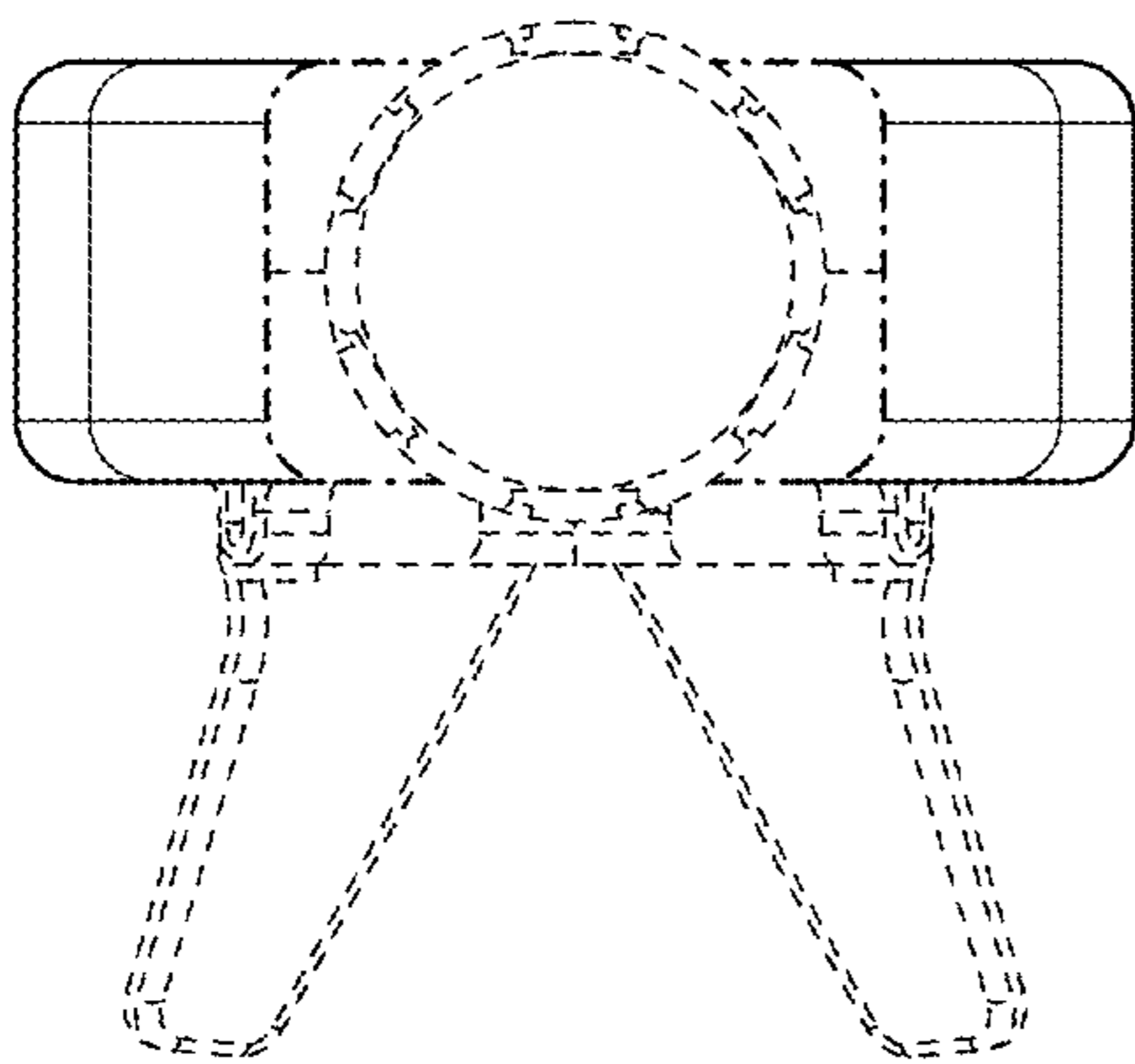


FIG. 6

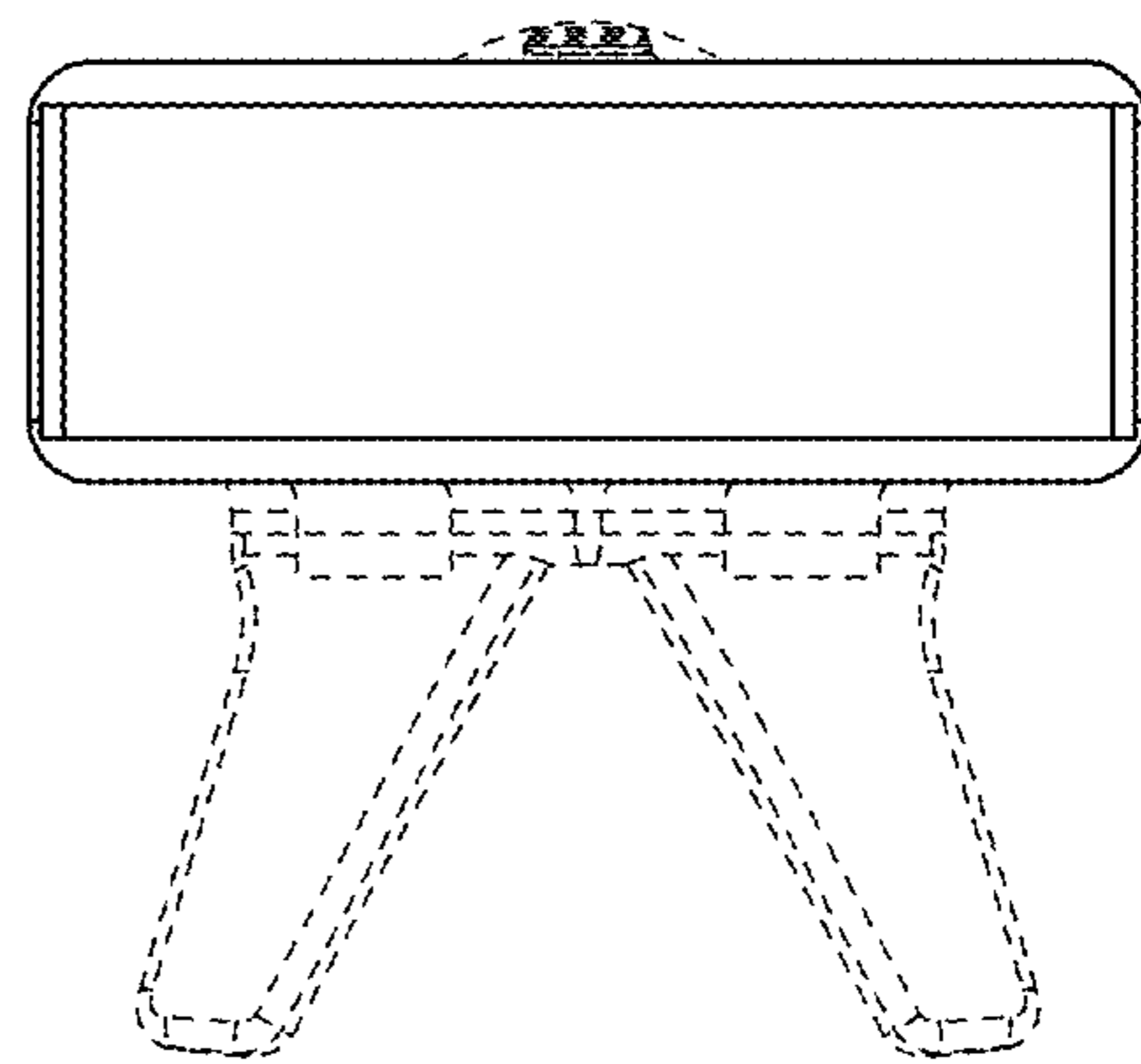


FIG. 7