



US00D973244S

(12) **United States Design Patent** (10) **Patent No.:** **US D973,244 S**
Schmölz (45) **Date of Patent:** **** Dec. 20, 2022**

(54) **HEADLIGHT FOR MOTOR VEHICLE**
(71) Applicant: **Dr. Ing. h.c. F. Porsche**
Aktiengesellschaft, Stuttgart (DE)
(72) Inventor: **Fabian Schmölz, Stuttgart (DE)**
(73) Assignee: **Dr. Ing. h.c. F. Porsche**
Aktiengesellschaft

(**) Term: **15 Years**
(21) Appl. No.: **29/776,882**

(22) Filed: **Apr. 1, 2021**

(30) **Foreign Application Priority Data**

Oct. 7, 2020 (EM) 8196596-0001
Oct. 7, 2020 (EM) 8196596-0002

(51) **LOC (13) Cl.** **26-06**

(52) **U.S. Cl.**
USPC **D26/28**

(58) **Field of Classification Search**
USPC D26/28, 29, 30, 31, 32, 33, 34, 35, 36
CPC F21W 2103/35; F21W 2103/40; F21W
2102/17; F21W 2102/30; F21W 2103/00;
F21W 2103/55; F21W 2104/00; F21W
2107/17; F21W 2107/13; F21S 41/00;
F21S 41/141; F21S 41/162; F21S 41/18;
F21S 41/20; F21S 41/33; F21S 41/36;
F21S 41/60; F21S 43/00; F21V 21/04
See application file for complete search history.

(56) **References Cited**

U.S. PATENT DOCUMENTS

D519,231 S * 4/2006 Fisker D26/28
D591,876 S * 5/2009 Varga D26/28

D704,870 S * 5/2014 Kim D26/28
D765,892 S * 9/2016 Redlich D26/28
D774,224 S * 12/2016 Okue D26/28
D780,960 S * 3/2017 Curic D26/139
D788,954 S * 6/2017 Schmoelz D26/28
D792,622 S * 7/2017 Briscoe D26/28
D812,265 S * 3/2018 Keskin D26/28
D866,016 S * 11/2019 Bauer D26/28
D936,868 S * 11/2021 Wraith D26/28
D943,789 S * 2/2022 Moon D26/28
D951,503 S * 5/2022 Shin D26/28

* cited by examiner

Primary Examiner — Angela J Lee
(74) *Attorney, Agent, or Firm* — RatnerPrestia

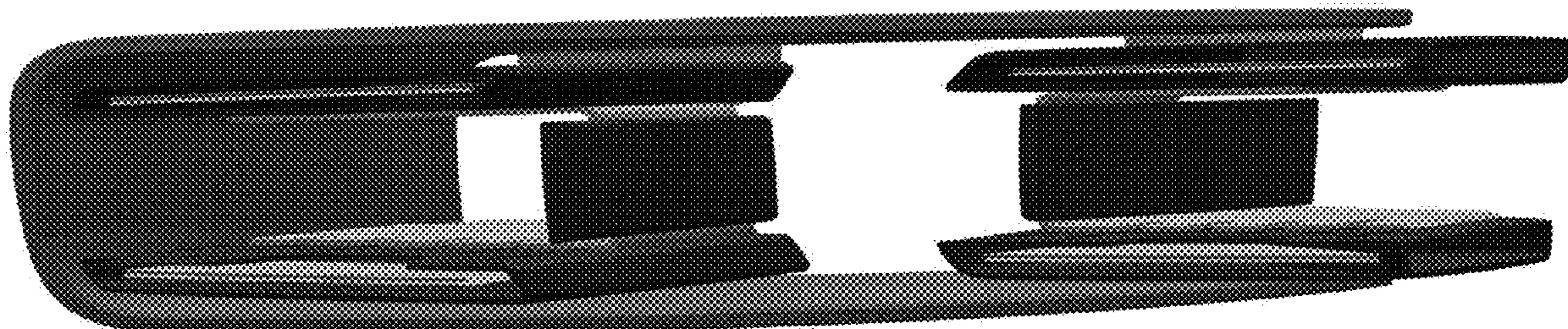
(57) **CLAIM**

The ornamental design for a headlight for motor vehicle, as shown and described.

DESCRIPTION

FIG. 1 is a perspective view of a headlight for motor vehicle according to a first embodiment;
FIG. 2 is a front view thereof;
FIG. 3 is a rear view thereof;
FIG. 4 is a right side view thereof;
FIG. 5 is a left side view thereof;
FIG. 6 is a top plan view thereof; and
FIG. 7 is a bottom plan view thereof.
FIG. 8 is a perspective view of a headlight for motor vehicle according to a second embodiment;
FIG. 9 is a front view thereof;
FIG. 10 is a rear view thereof;
FIG. 11 is a right side view thereof;
FIG. 12 is a left side view thereof;
FIG. 13 is a top plan view thereof; and,
FIG. 14 is a bottom plan view thereof.
In the drawings the color black represents color contrast.

1 Claim, 6 Drawing Sheets



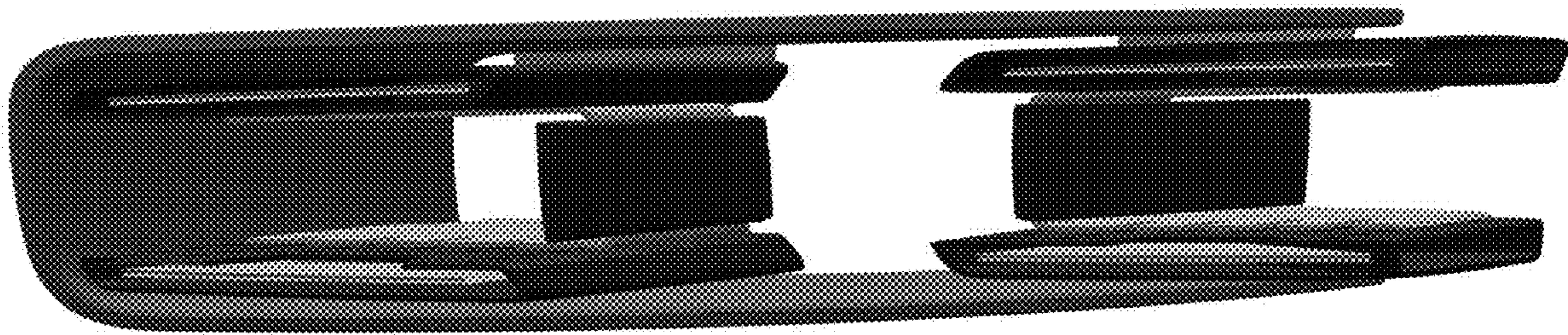


FIG. 1

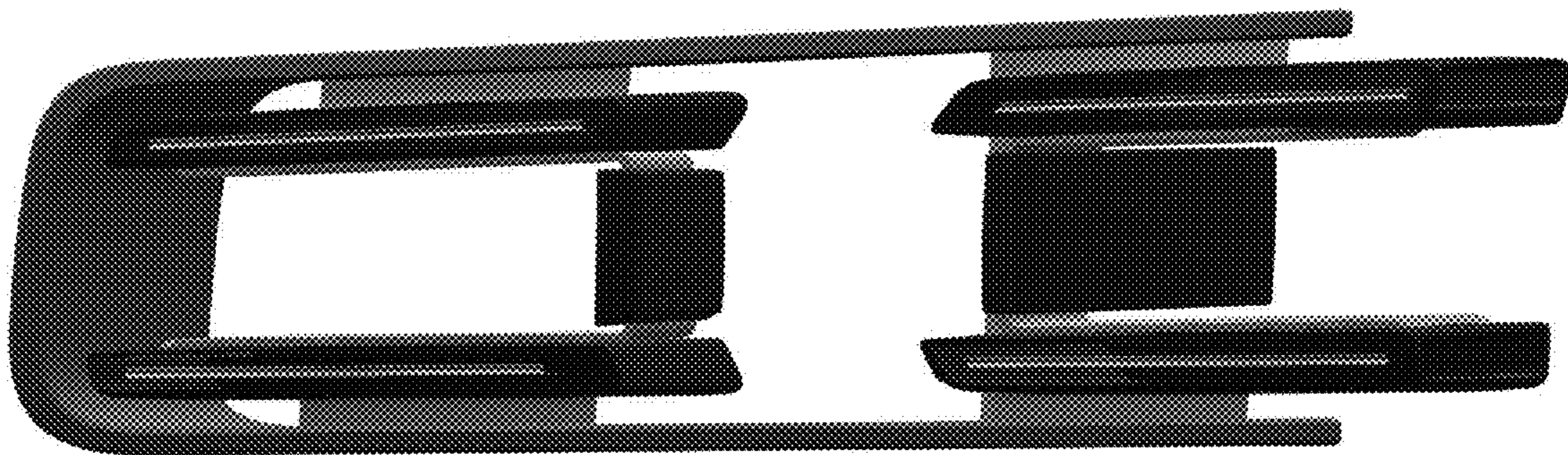


FIG. 2

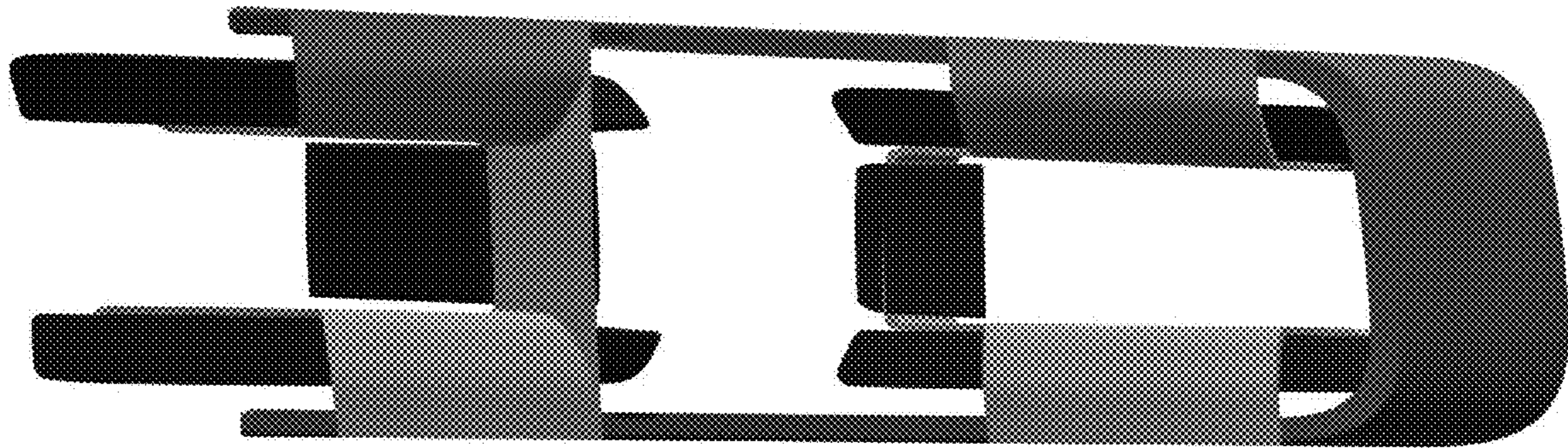


FIG. 3

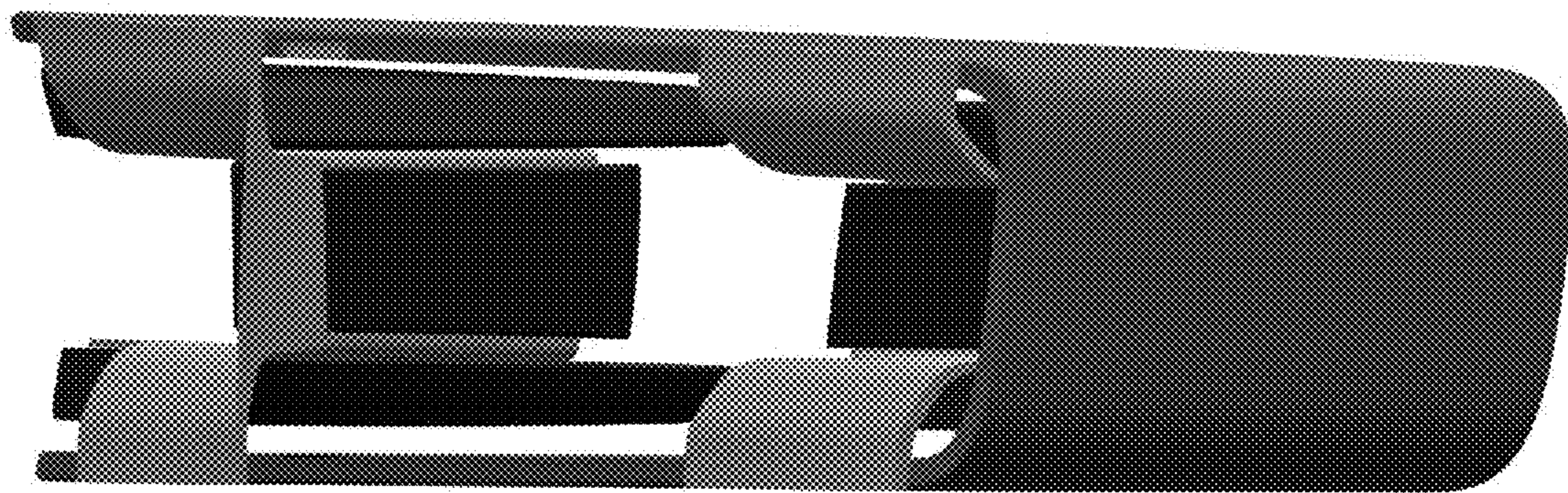


FIG. 4

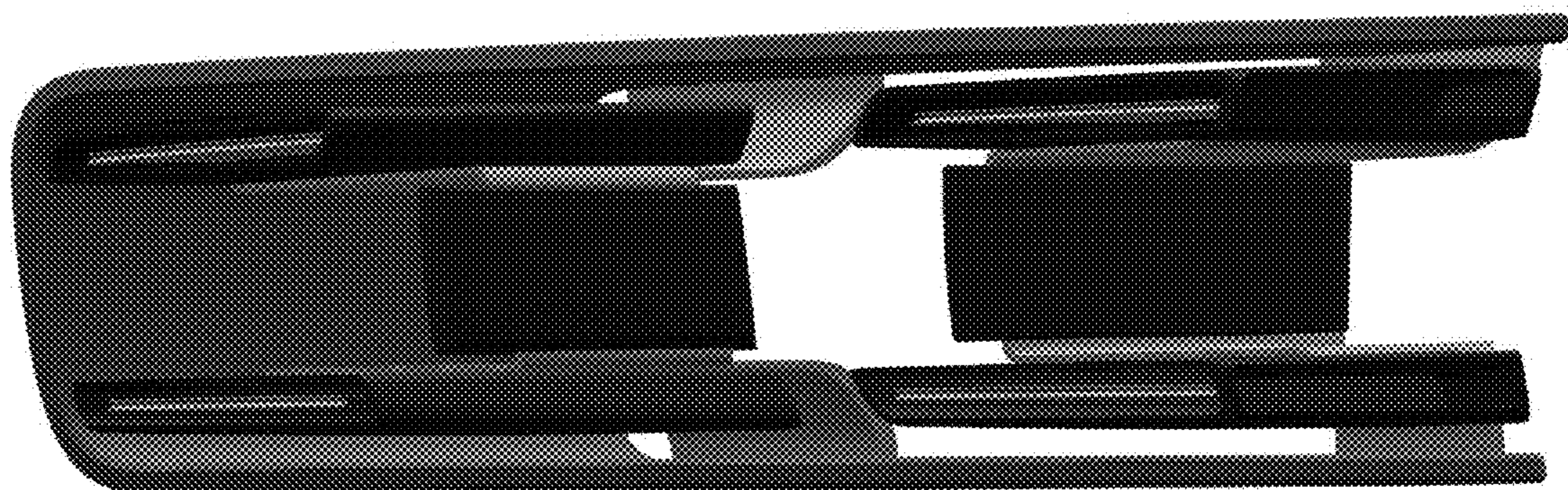


FIG. 5

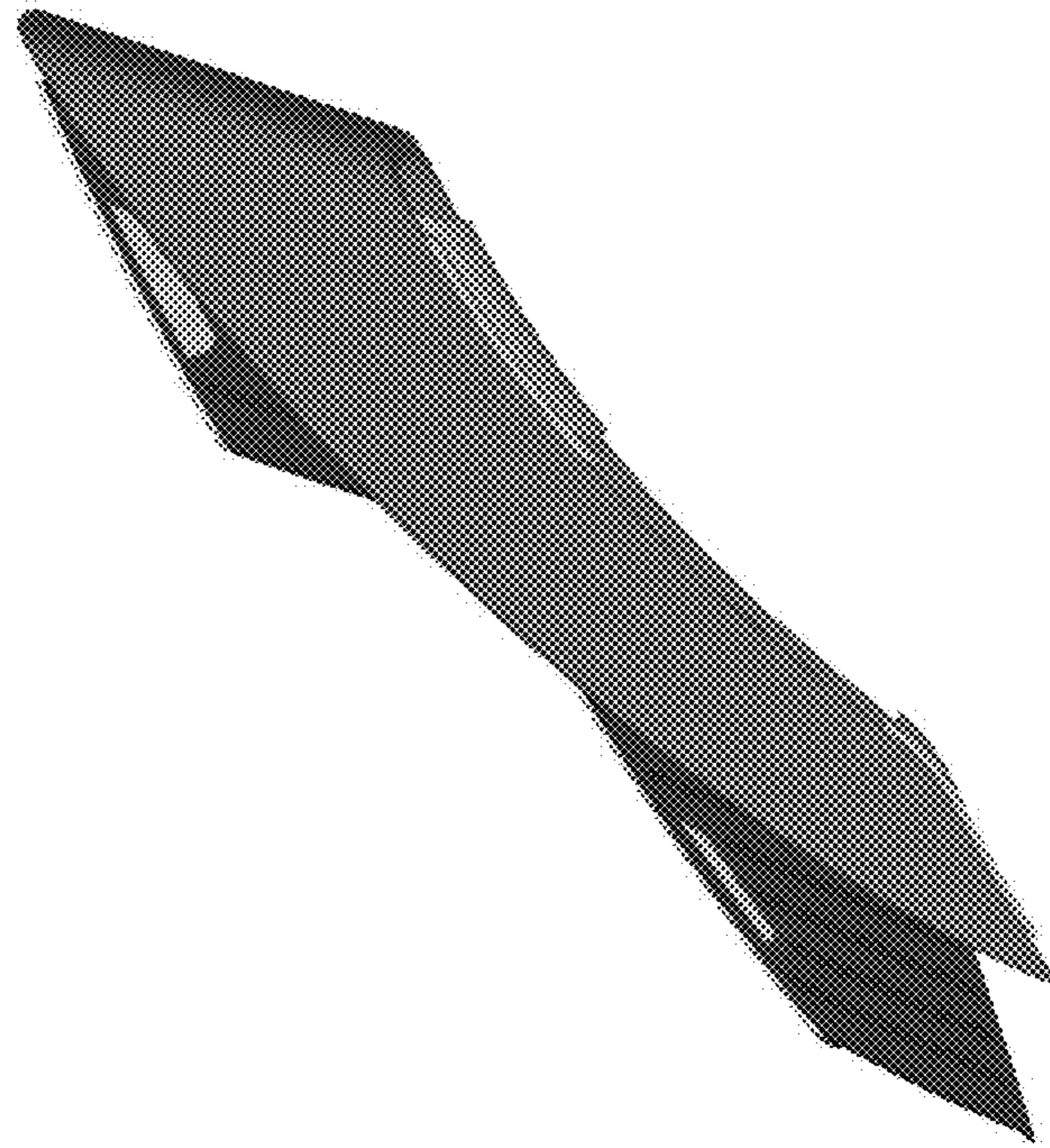


FIG. 6

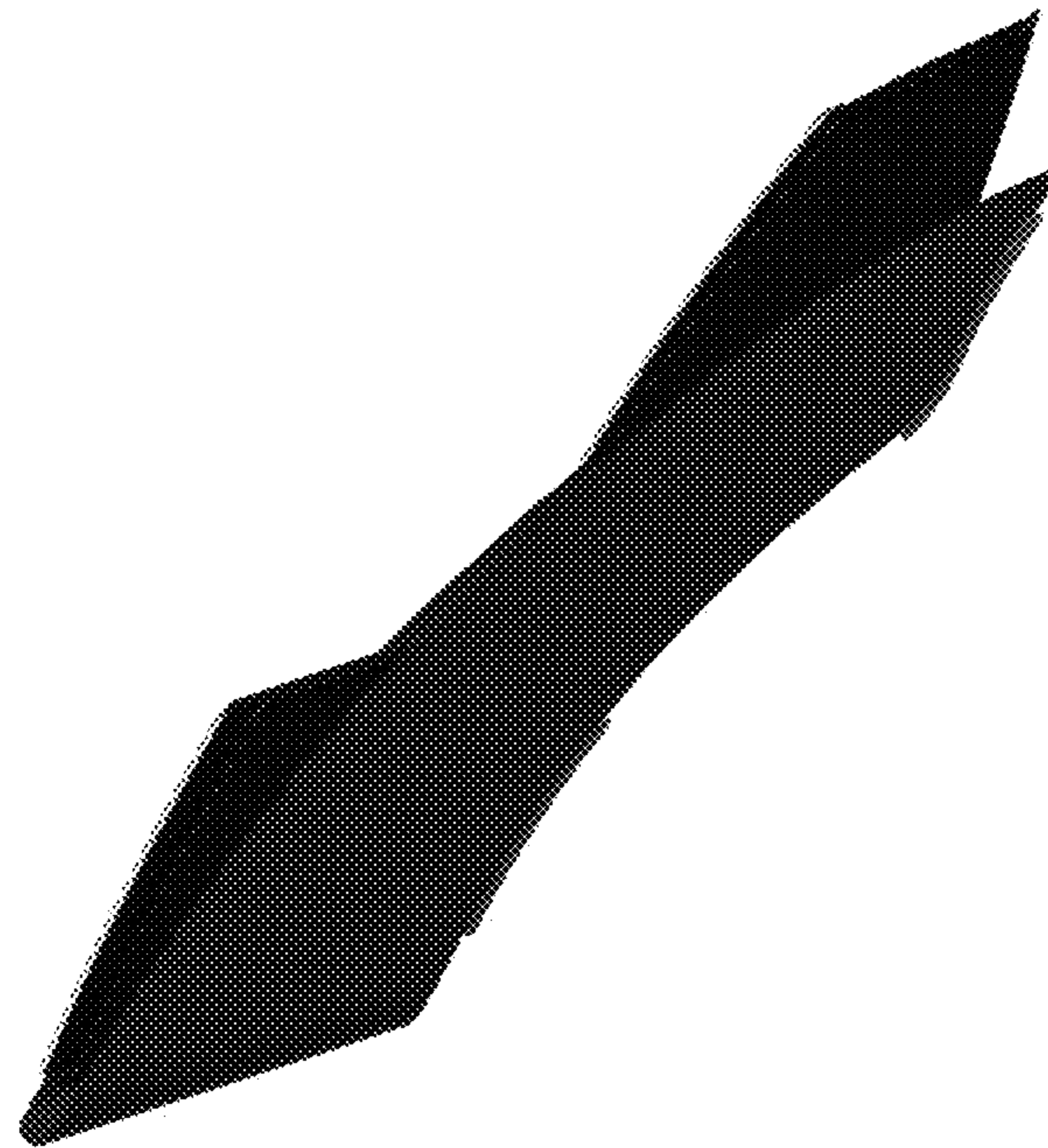


FIG. 7

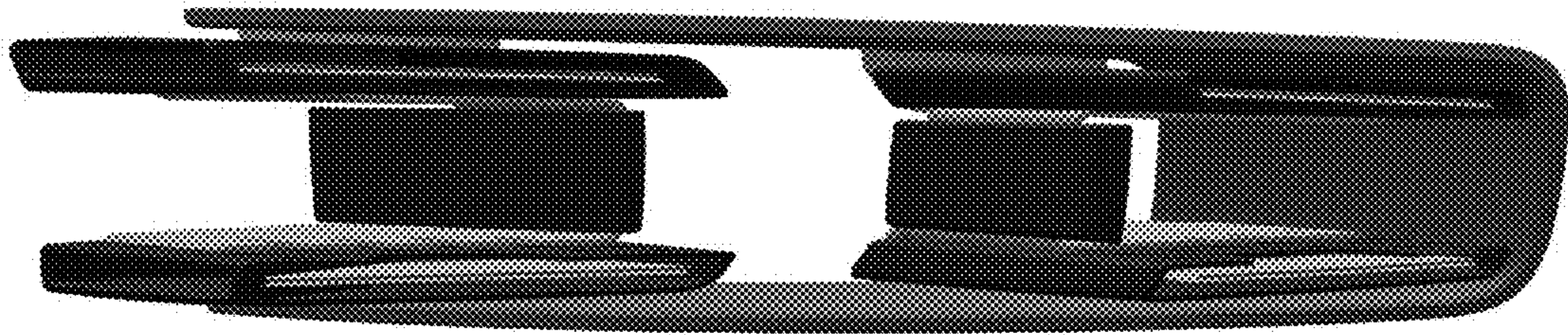


FIG. 8

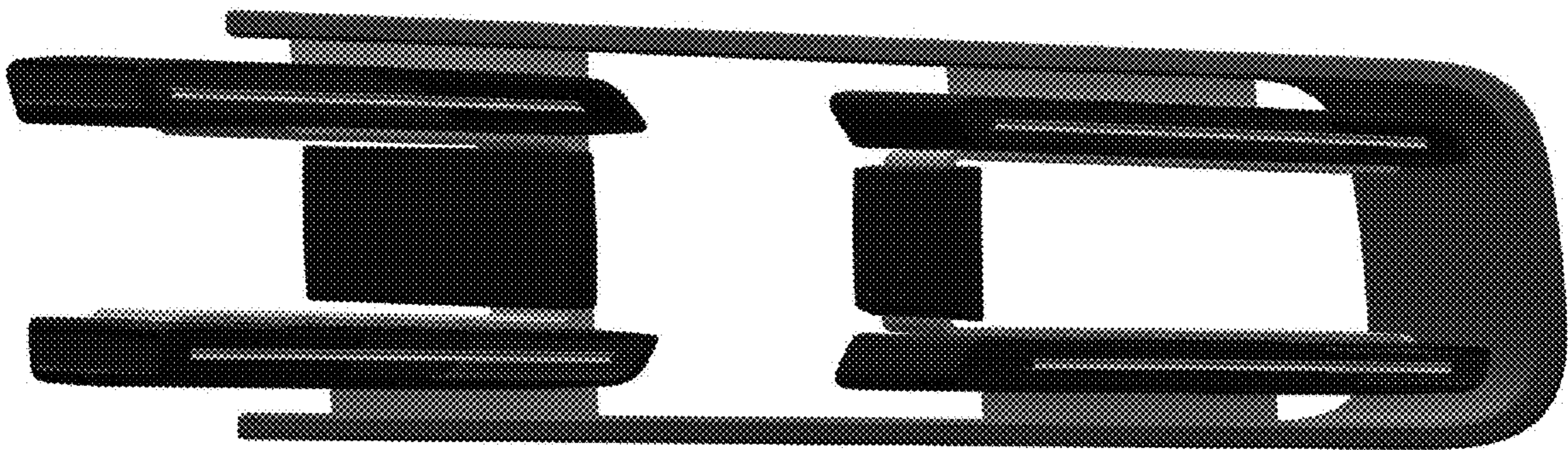


FIG. 9

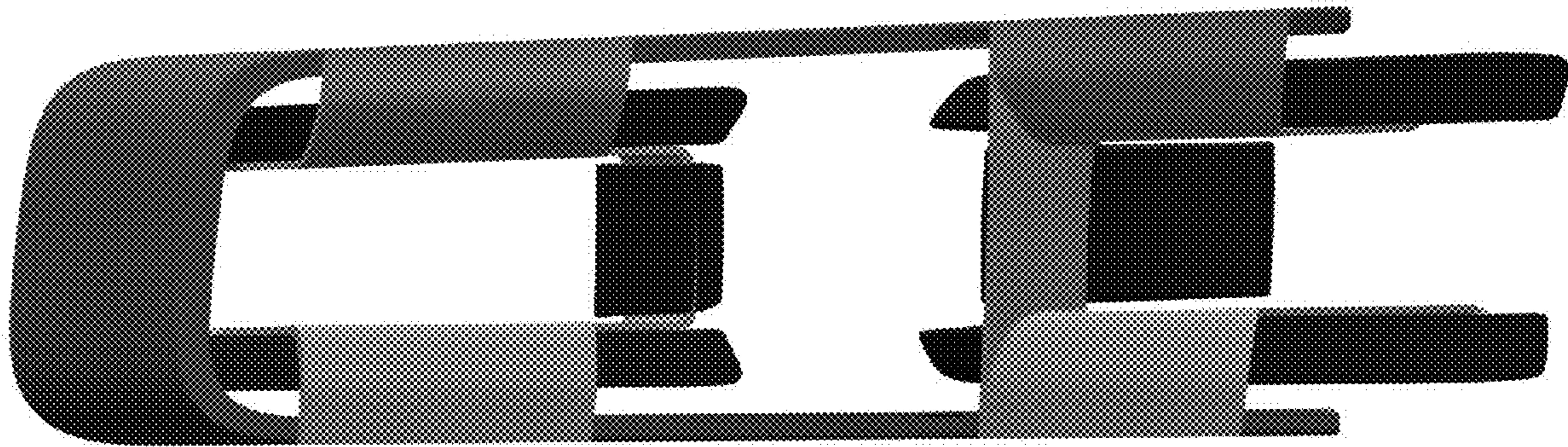


FIG. 10

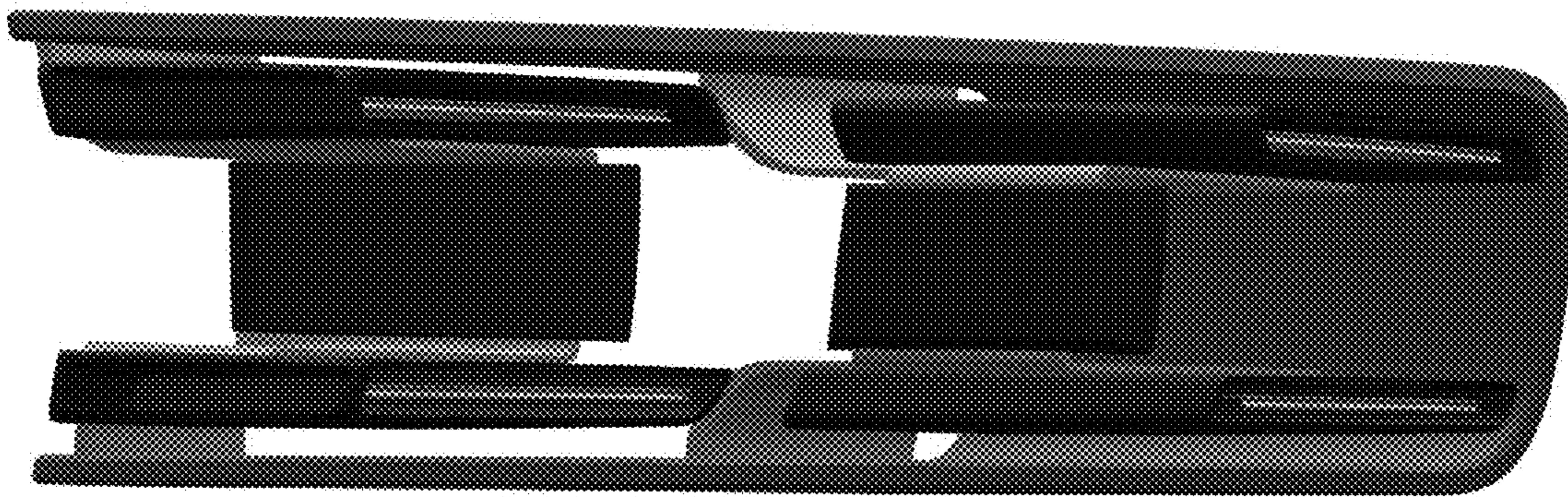


FIG. 11

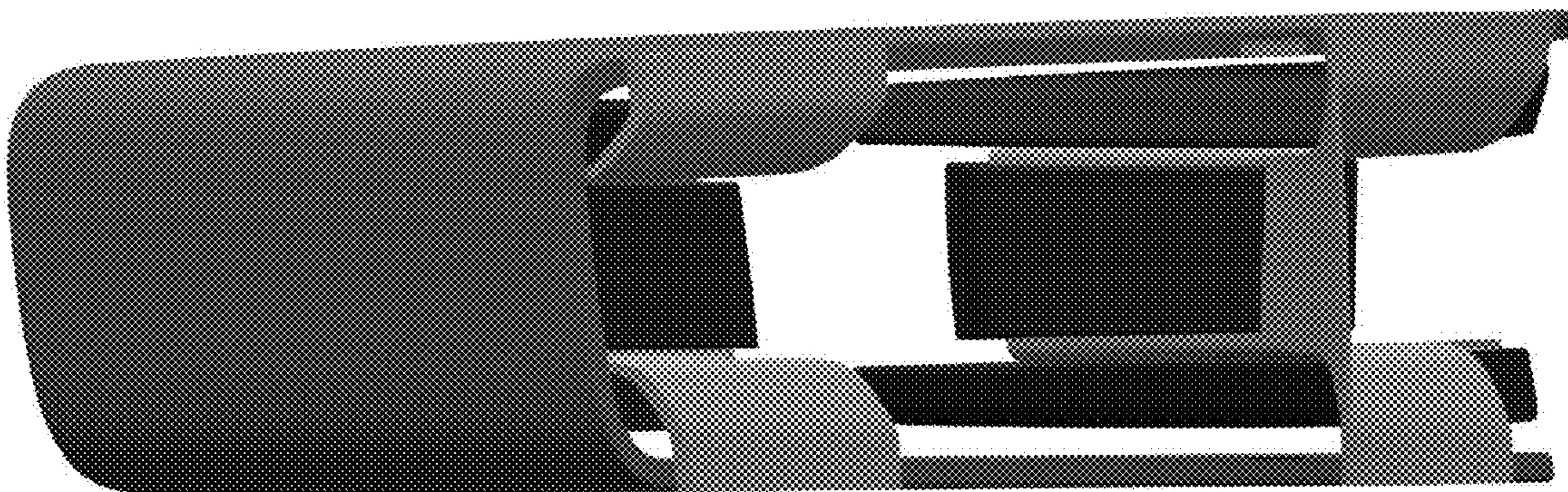


FIG. 12

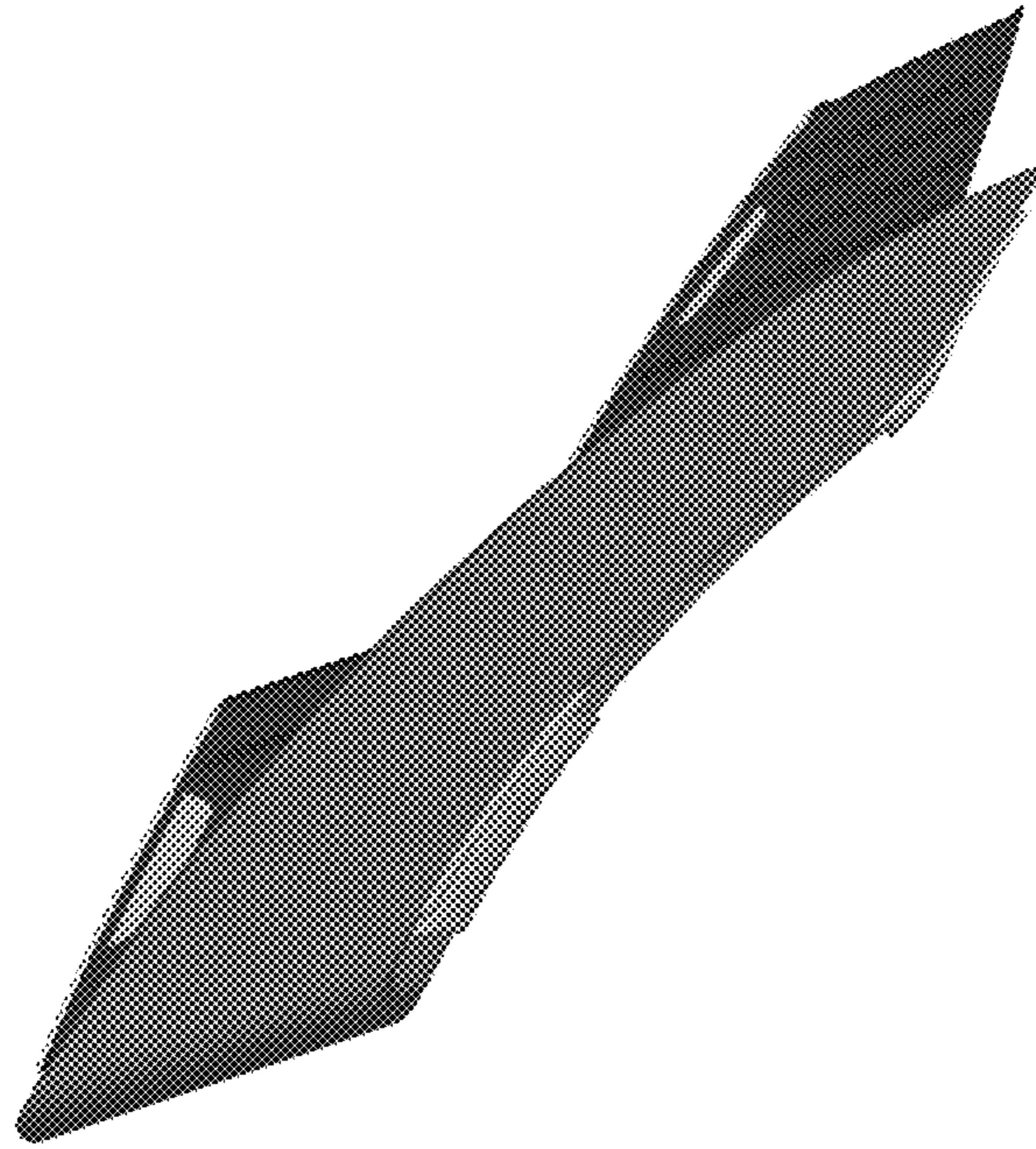


FIG. 13



FIG. 14