

US00D973243S

(12) **United States Design Patent** (10) **Patent No.:** **US D973,243 S**
Mizutani (45) **Date of Patent:** **** Dec. 20, 2022**

(54) **REAR COMBINATION LAMP FOR AUTOMOBILE**

(71) Applicant: **Nissan Motor Co., Ltd.**, Kanagawa (JP)

(72) Inventor: **Youhei Mizutani**, Tokyo (JP)

(73) Assignee: **Nissan Motor Co., Ltd.**, Yokohama (JP)

(**) Term: **15 Years**

(21) Appl. No.: **29/771,986**

(22) Filed: **Feb. 26, 2021**

(30) **Foreign Application Priority Data**

Aug. 31, 2020 (JP) 2020-018365

(51) **LOC (13) Cl.** **26-06**

(52) **U.S. Cl.**
USPC **D26/28**

(58) **Field of Classification Search**
USPC D26/28, 29, 30, 31, 32, 33, 34, 35, 36
CPC F21W 2103/35; F21W 2103/40; F21W 2102/17; F21W 2102/30; F21W 2103/00; F21W 2103/55; F21W 2104/00; F21W 2107/17; F21W 2107/13; F21S 41/00; F21S 41/141; F21S 41/162; F21S 41/18; F21S 41/20; F21S 41/33; F21S 41/36; F21S 41/60; F21S 43/00; F21V 21/04
See application file for complete search history.

(56) **References Cited**

U.S. PATENT DOCUMENTS

D567,408 S * 4/2008 Hsu D26/28
D713,569 S * 9/2014 Badstuebner D26/28

D819,243 S * 5/2018 Nakagawa D26/28
D851,295 S * 6/2019 Whang D26/28
D856,550 S * 8/2019 Tomasson D26/28
D871,622 S * 12/2019 Jobling D26/28
D871,623 S * 12/2019 Tovey D26/28
D905,304 S * 12/2020 Han D26/28
D913,546 S * 3/2021 Patel D26/28
D937,451 S * 11/2021 Tovey D26/28
D939,740 S * 12/2021 Jobling D26/28
D946,791 S * 3/2022 Shimizu D26/28
D958,427 S * 7/2022 Jobling D26/28

* cited by examiner

Primary Examiner — Angela J Lee

(74) *Attorney, Agent, or Firm* — Global IP Counselors, LLP

(57) **CLAIM**

The ornamental design for a rear combination lamp for an automobile, as shown and described.

DESCRIPTION

FIG. 1 is a front elevational view of a rear combination lamp for an automobile according to my new design;

FIG. 2 is a top plan view thereof;

FIG. 3 is a bottom plan view thereof;

FIG. 4 is a left side elevational view thereof; and,

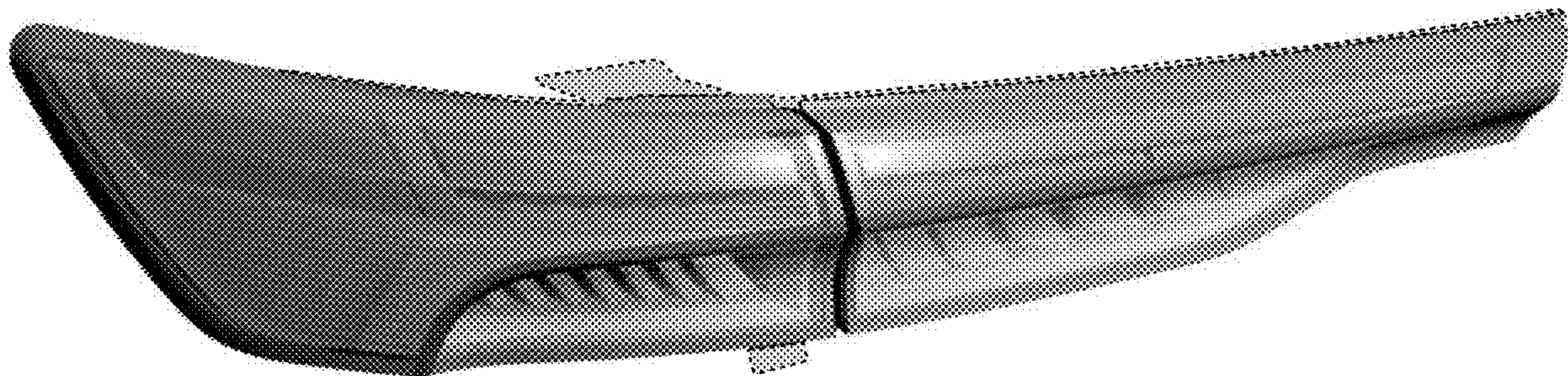
FIG. 5 is a front side perspective view thereof.

The rear combination lamp is configured to be mounted to an automobile. The mounting structure and support structure of the rear combination lamp, shown ghosted within broken lines in FIGS. 1 to 5, form no part of the claimed design.

In addition, the appearance of the rear and side structures of the rear combination lamp as shown ghosted within the broken lines in FIGS. 1 to 5 forms no part of the claimed design.

A second embodiment of my new design includes the mirror image of the rear combination lamp shown in FIGS. 1 to 5.

1 Claim, 5 Drawing Sheets



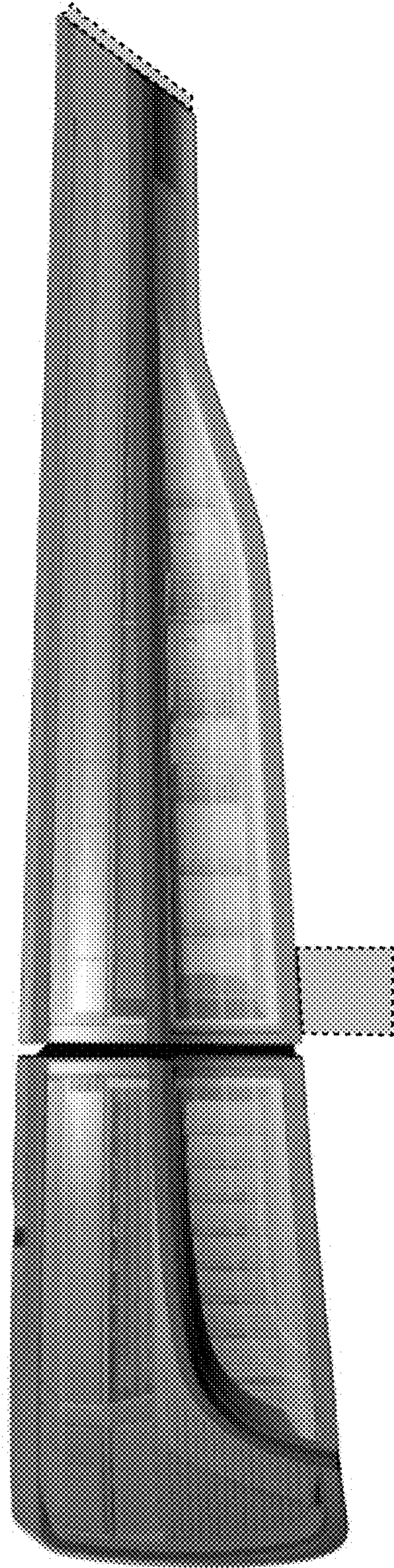


FIG. 1

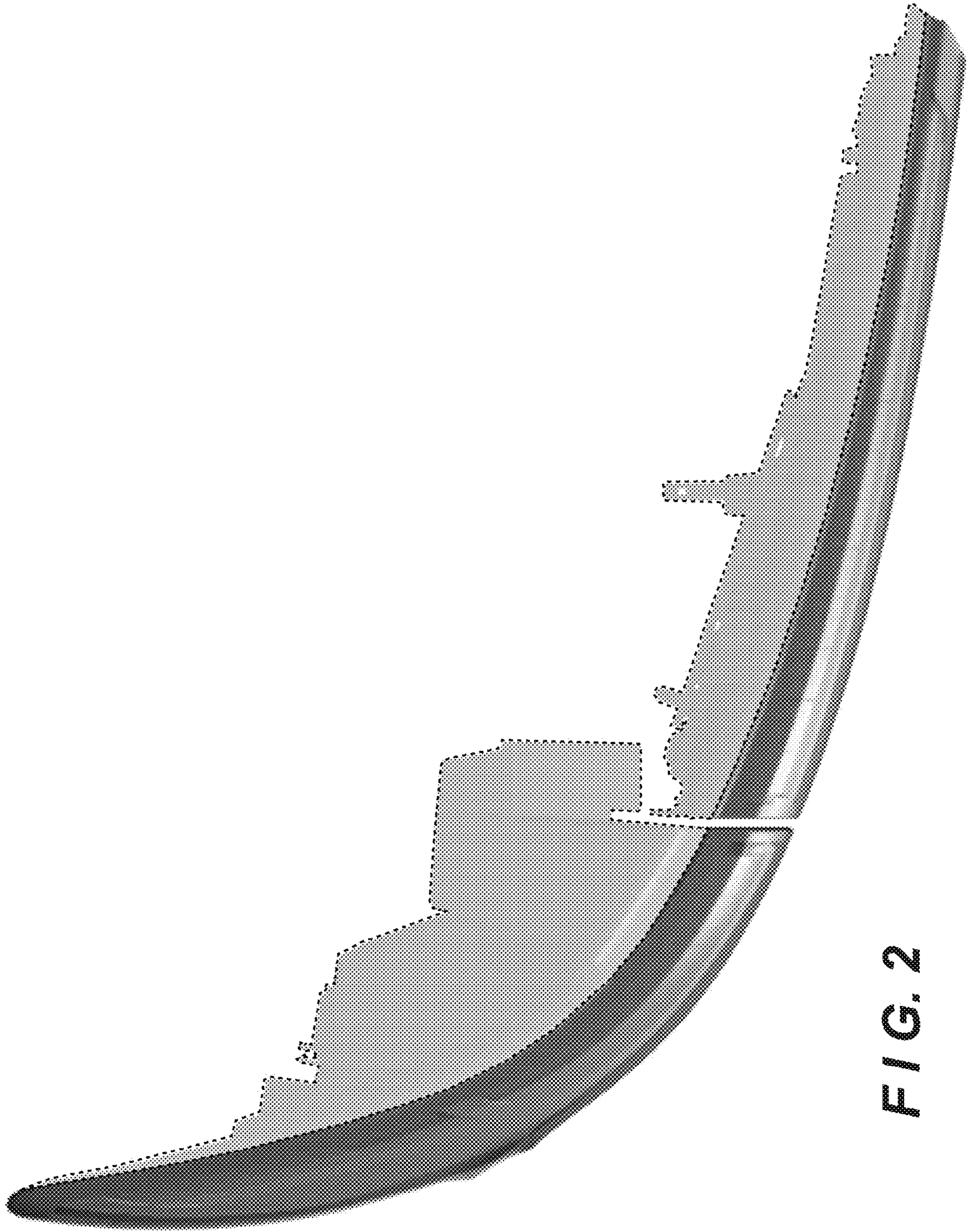


FIG. 2



FIG. 3

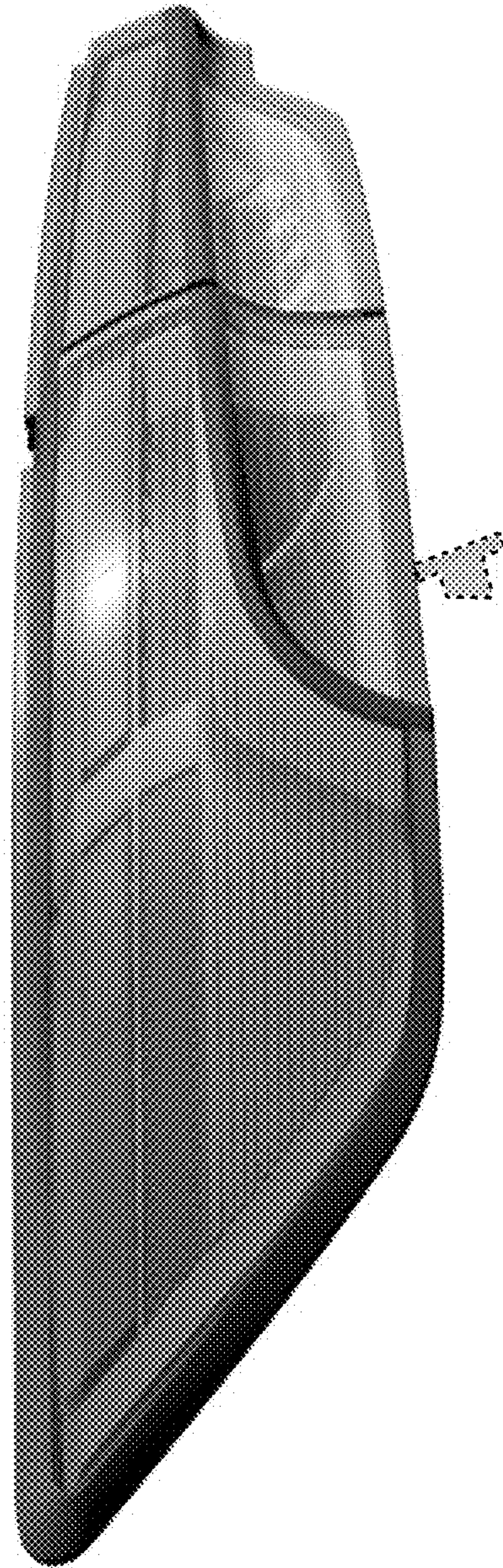


FIG. 4

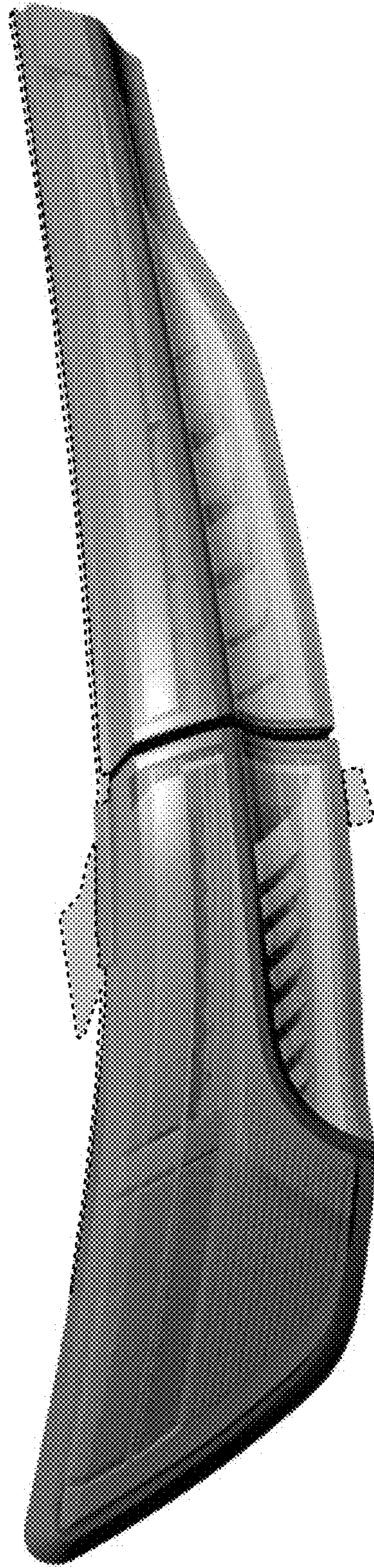


FIG. 5