



US00D973240S

(12) **United States Design Patent** (10) **Patent No.:** **US D973,240 S**
Li (45) **Date of Patent:** **** Dec. 20, 2022**

(54) **STRING LIGHTS**

FOREIGN PATENT DOCUMENTS

(71) Applicant: **Jizhang Li**, Yichun (CN)

EM 008832851-0002 * 1/2022

(72) Inventor: **Jizhang Li**, Yichun (CN)

OTHER PUBLICATIONS

(73) Assignee: **Jizhang Li**, Yichun (CN)

Amazon, "Curtain Light 138 LED Love Heart", first available Oct. 17, 2020. (<https://www.amazon.com/dp/B08LB55DN7/>) (Year: 2020).*

(**) Term: **15 Years**

(Continued)

(21) Appl. No.: **29/823,344**

Primary Examiner — Lauren D McVey

(22) Filed: **Jan. 17, 2022**

Assistant Examiner — Justin A Johnson

(51) **LOC (13) Cl.** **26-04**

(74) *Attorney, Agent, or Firm* — Nitin Kaushik

(52) **U.S. Cl.**

USPC **D26/25**

(58) **Field of Classification Search**

USPC D26/1, 24, 25, 27, 113

CPC F21L 2/00; F21L 4/00; F21L 4/02; F21L 4/025; F21L 4/027; F21L 14/00; F21S 2/00; F21S 8/00; F21S 8/026; F21S 8/03; F21S 8/033; F21S 8/035; F21S 6/002; F21S 6/004; F21S 8/036; F21S 8/037; F21S 9/00; F21S 9/02; F21V 21/10; F21V 21/108; F21W 2121/008; H01K 7/00; H01K 7/02; A01G 7/045

See application file for complete search history.

(57) **CLAIM**

The ornamental design for string lights, as shown and described.

DESCRIPTION

FIG. 1 is a perspective view of string lights showing my new design;

FIG. 2 is another perspective view thereof;

FIG. 3 is a front elevational view thereof;

FIG. 4 is a rear elevational view thereof;

FIG. 5 is a left side elevational view thereof;

FIG. 6 is a right side elevational view thereof;

FIG. 7 is a top plan view thereof;

FIG. 8 is a bottom plan view thereof;

FIG. 9 is an enlarged view of portion 9 shown in FIG. 1;

FIG. 10 is an enlarged view of portion 10 shown in FIG. 1; and,

FIG. 11 is an enlarged view of portion 11 shown in FIG. 1.

The string lights are shown with a symbolic break in its length and the appearance of any portion of the string lights

between the break lines form no part of the claimed design.

The dot-dash broken lines represent boundaries of the enlarged portions and form no part of the claimed design.

The dot-dash broken lines represent boundaries of the enlarged portions and form no part of the claimed design.

The dot-dash broken lines represent boundaries of the enlarged portions and form no part of the claimed design.

The dot-dash broken lines represent boundaries of the enlarged portions and form no part of the claimed design.

The dot-dash broken lines represent boundaries of the enlarged portions and form no part of the claimed design.

1 Claim, 11 Drawing Sheets

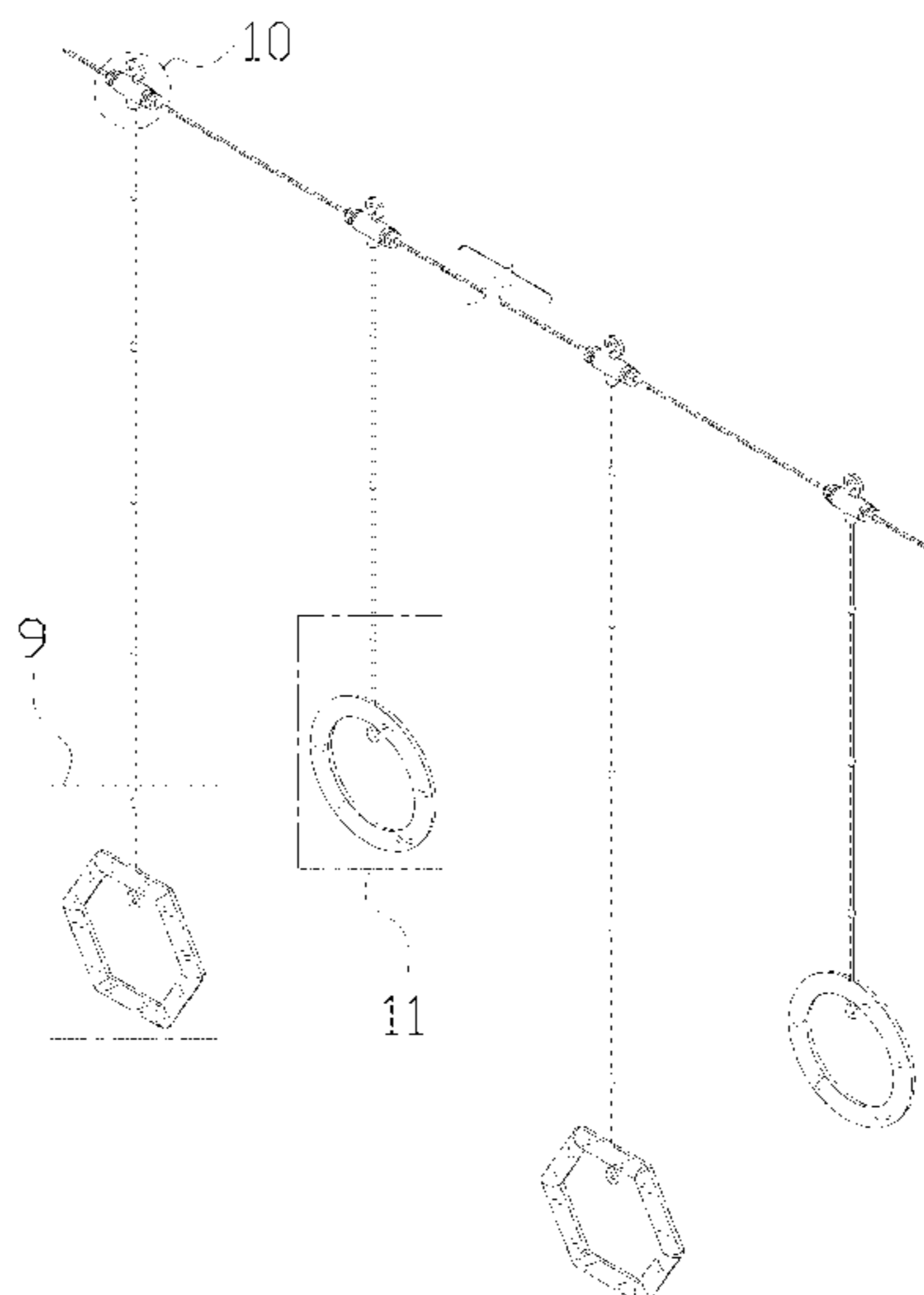
(56)

References Cited

U.S. PATENT DOCUMENTS

| | | | | | | |
|-----------|---|---|---------|---------------|-------|-------------------------|
| 5,988,831 | A | * | 11/1999 | Pan | | H05B 39/00 315/185 S |
| D440,674 | S | * | 4/2001 | Nichols | | D26/25 |
| D457,666 | S | * | 5/2002 | Sehl | | D11/127 |
| D458,699 | S | * | 6/2002 | Gilbert | | D11/117 |
| D459,009 | S | * | 6/2002 | Chang | | D11/117 |
| D691,295 | S | * | 10/2013 | Chappey | | D26/25 |
| D778,468 | S | * | 2/2017 | van der Lande | | D26/25 |
| D908,933 | S | * | 1/2021 | Wu | | |
| D909,630 | S | | 2/2021 | Liu | | |
| D948,088 | S | * | 4/2022 | Liu | | D26/25 |
| D952,910 | S | * | 5/2022 | Li | | D26/88 |

(Continued)



(56)

References Cited

U.S. PATENT DOCUMENTS

D965,187 S * 9/2022 Zhou D26/25
2003/0210541 A1 * 11/2003 Long A47G 33/0836
362/249.18
2005/0083701 A1 * 4/2005 Rugee F21S 8/04
362/382
2006/0250805 A1 * 11/2006 Cheng F21S 4/10
362/225

OTHER PUBLICATIONS

Amazon, "Window Lights Christmas Decorations", first available May 18, 2022. (<https://www.amazon.com/dp/B0B1MC24DH?th=1>) (Year: 2022).*

Amazon, "ALIF Circle Butterfly Curtain Fairy Lights", first available Jul. 24, 2022. (<https://www.amazon.com/Butterfly-Curtain-Firefly-Waterproof-Christmas/dp/B098J9PZRL>) (Year: 2022).*

Amazon, "JULLJUS Butterfly Curtain Lights", first available Sep. 6, 2022. (<https://www.amazon.com/dp/B0B72SRK85/>) (Year: 2022).*

* cited by examiner

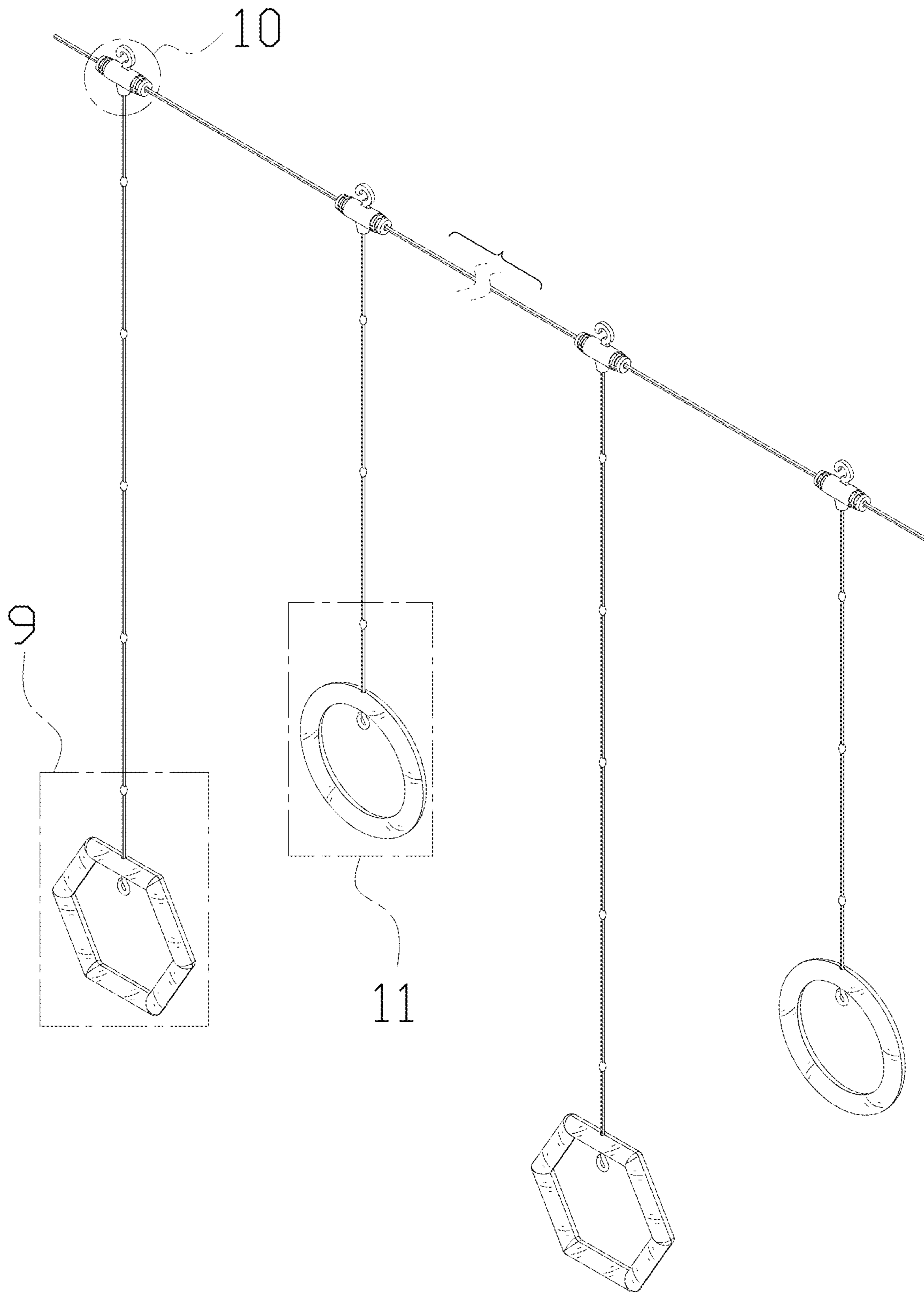


FIG. 1

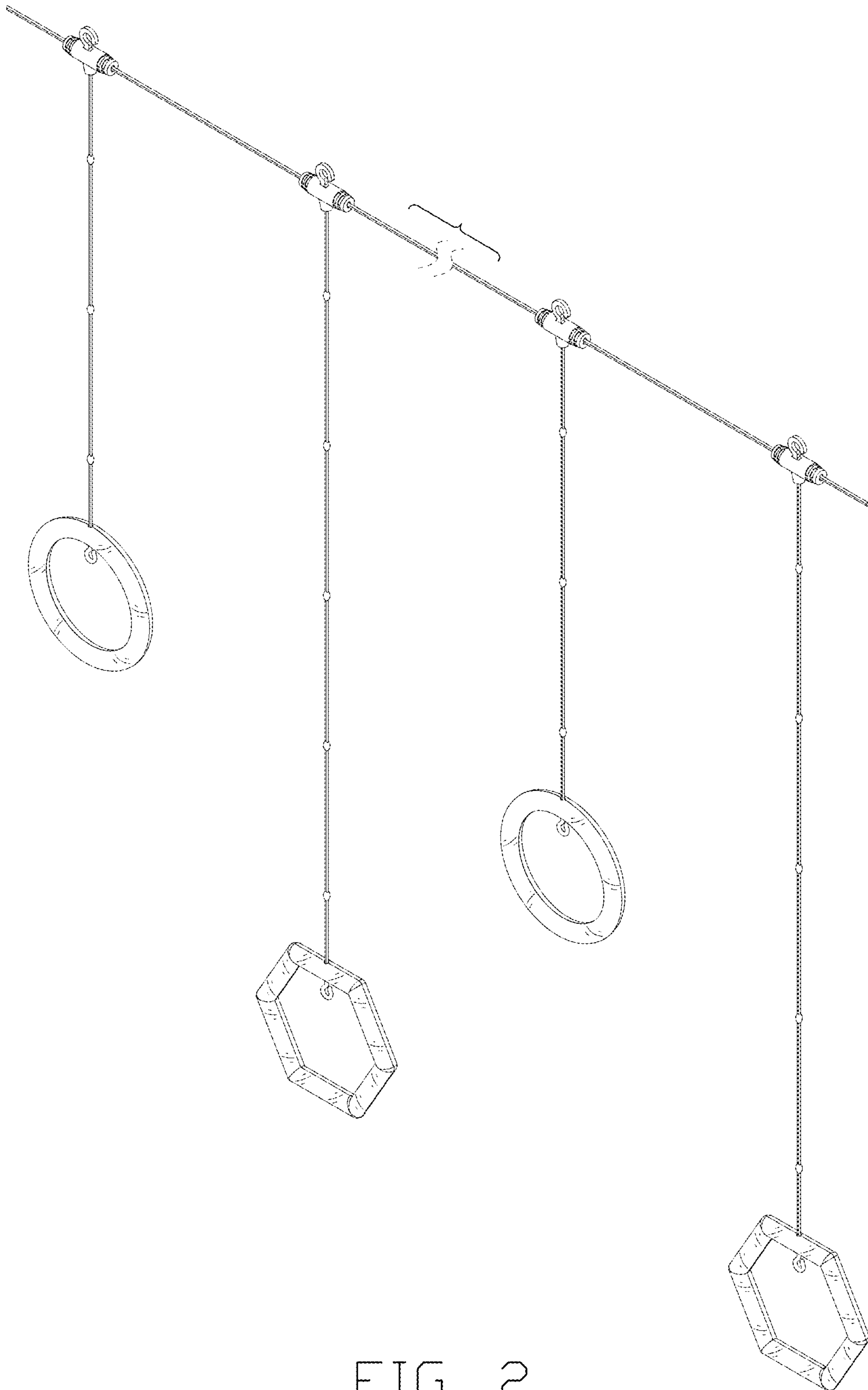


FIG. 2

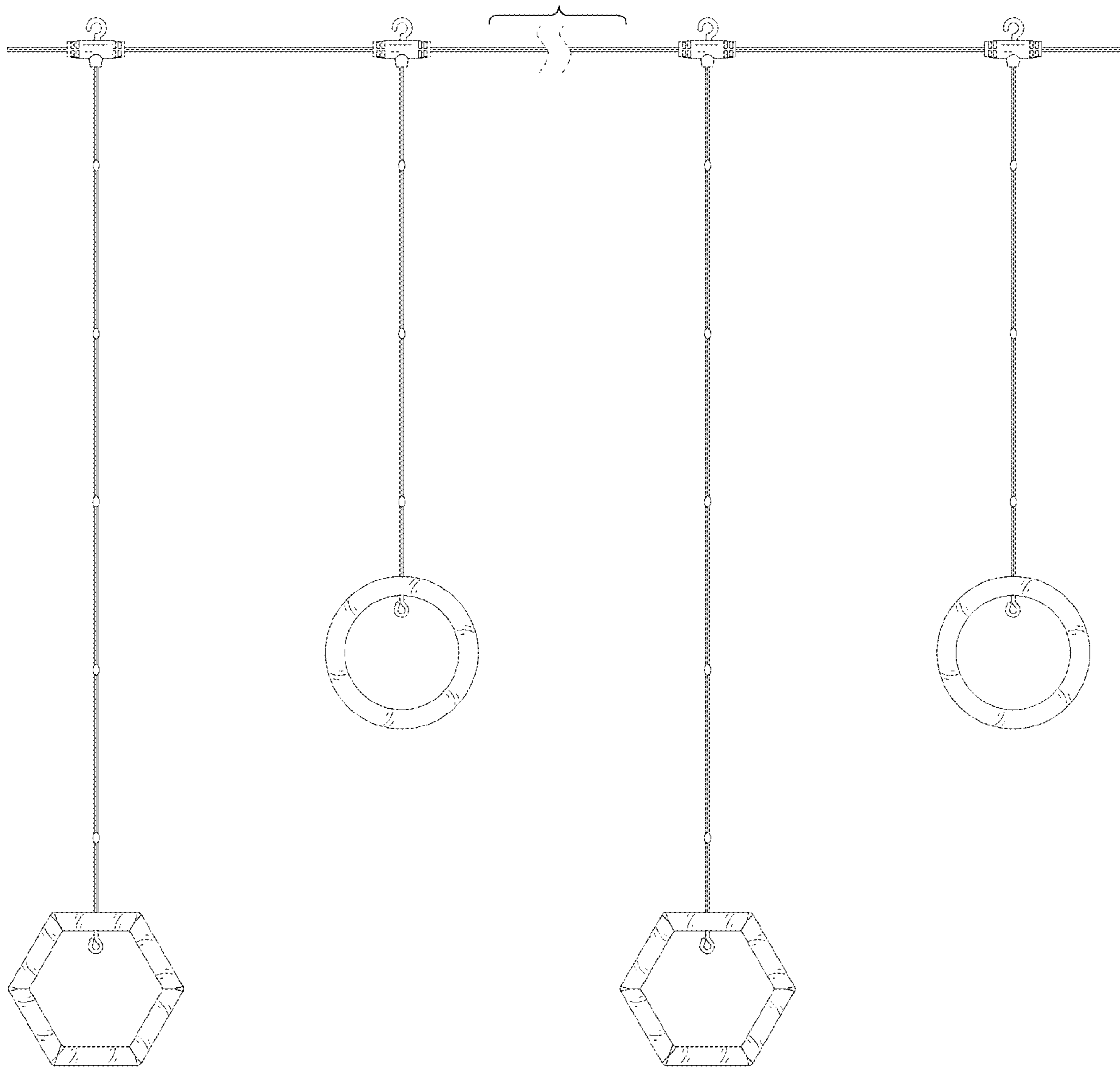


FIG. 3

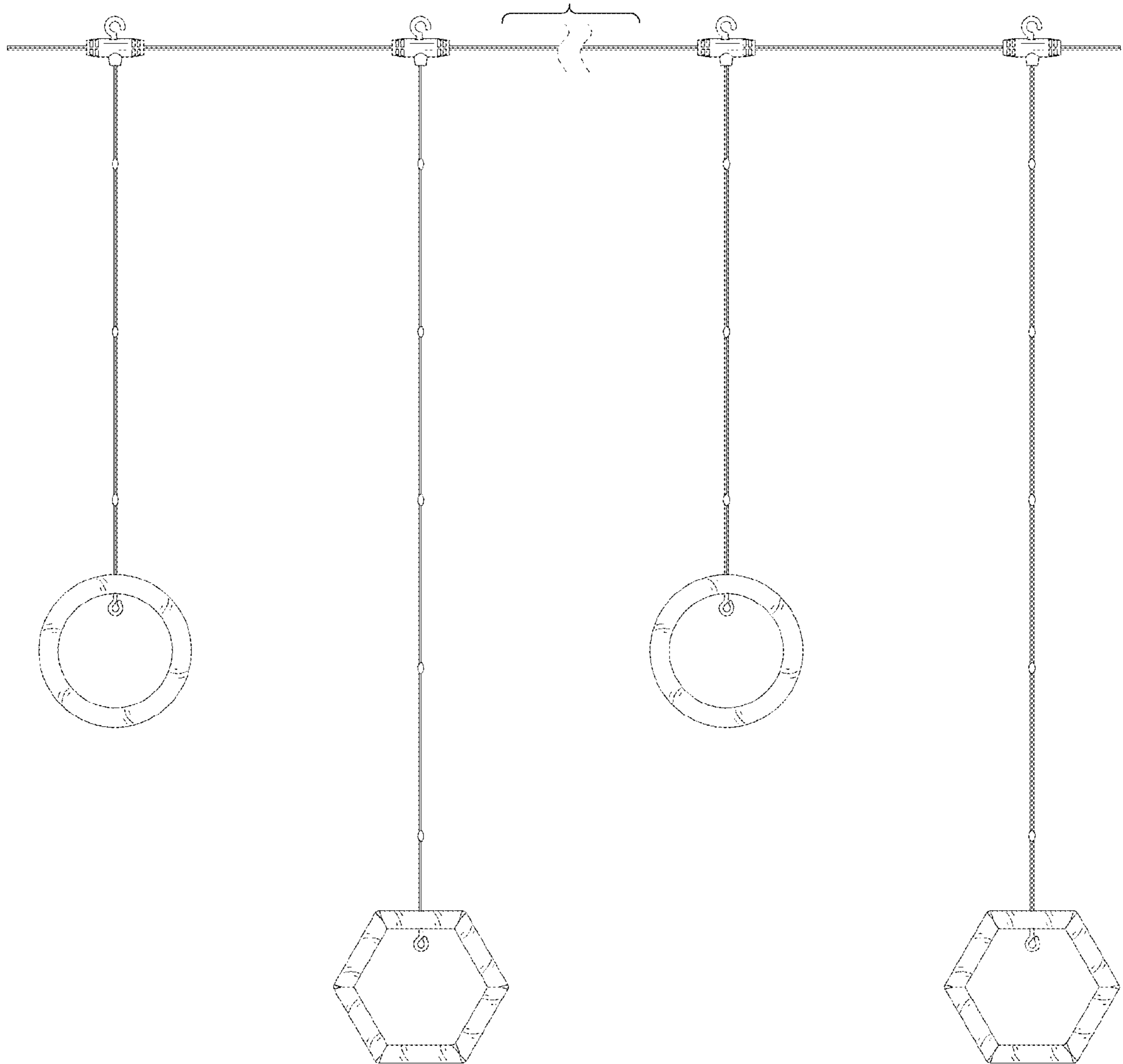


FIG. 4

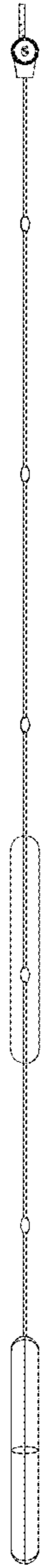


FIG. 5

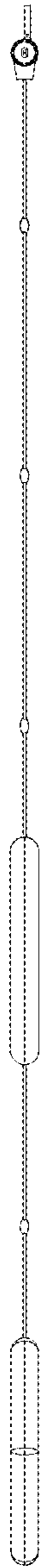


FIG. 6

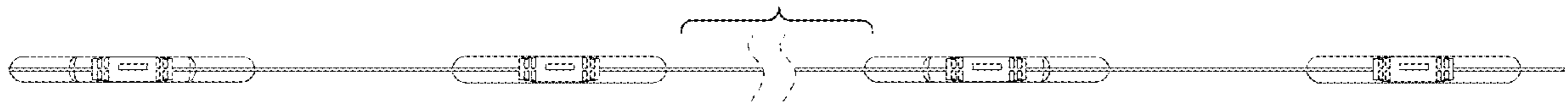


FIG. 7

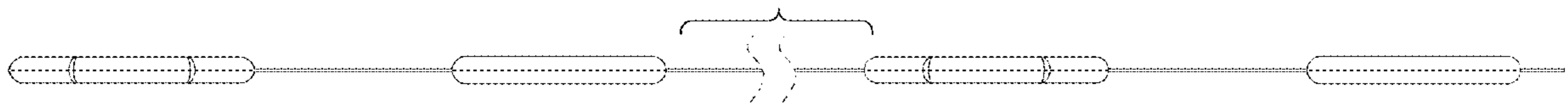


FIG. 8

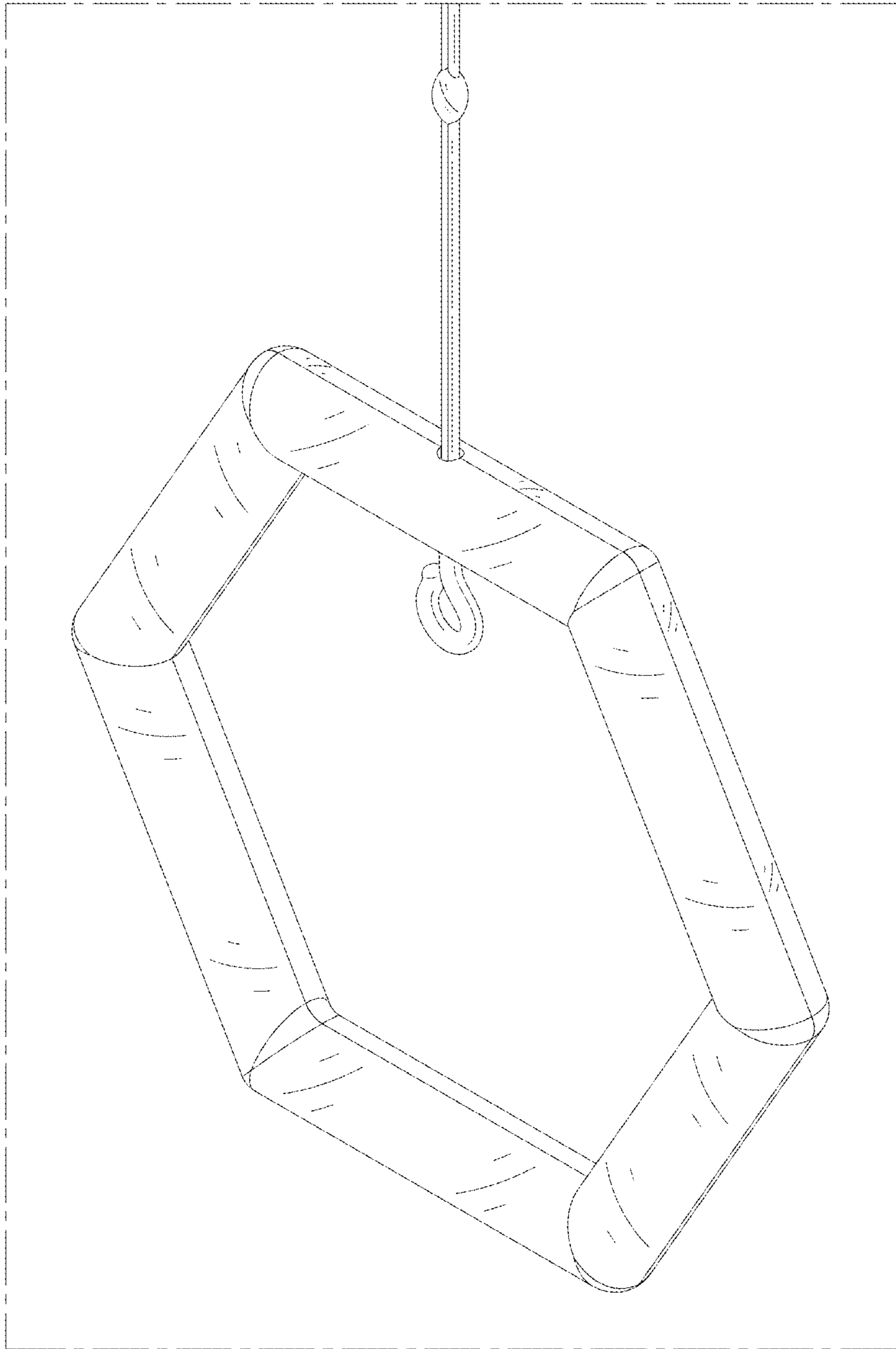


FIG. 9

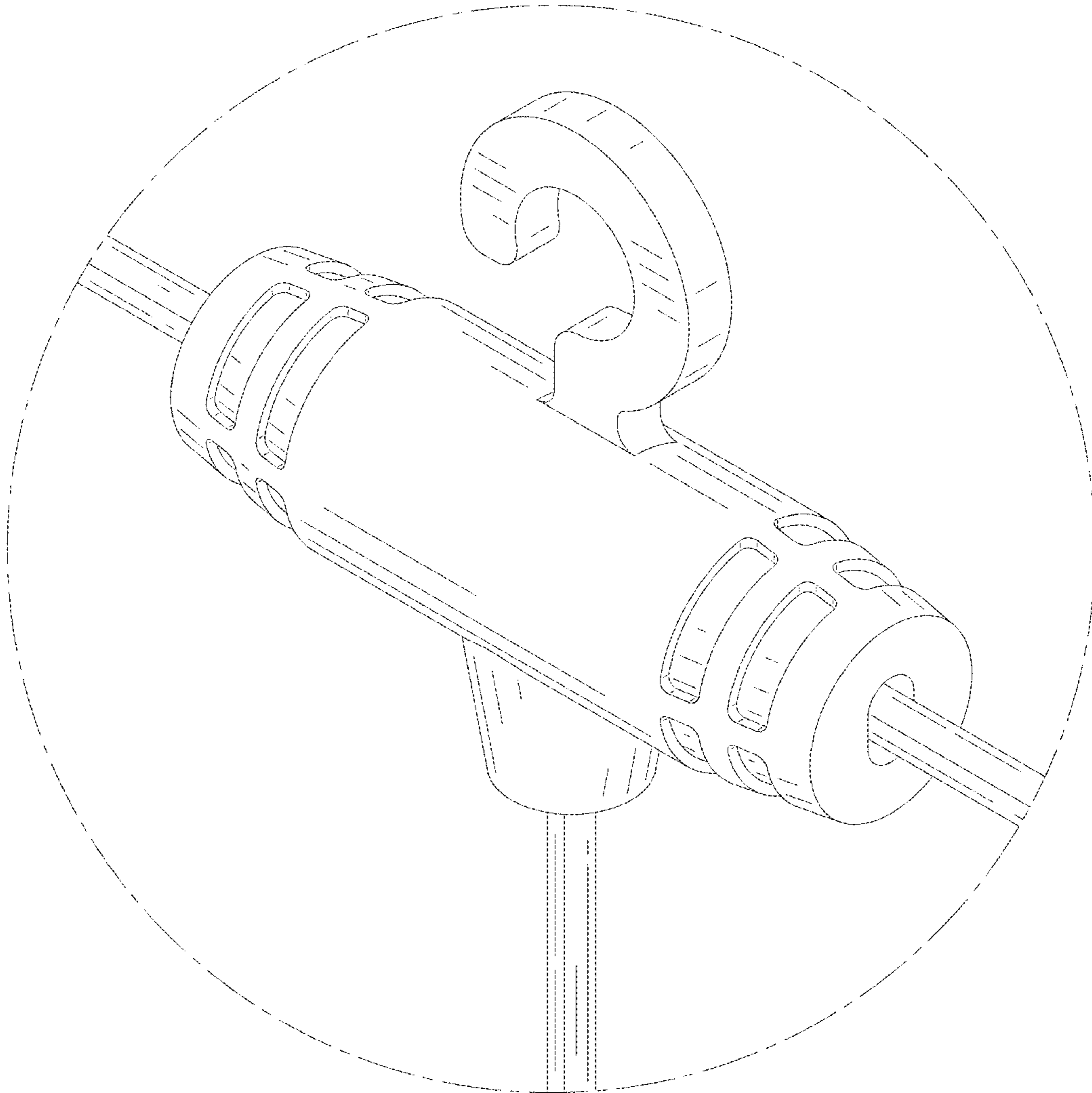


FIG. 10

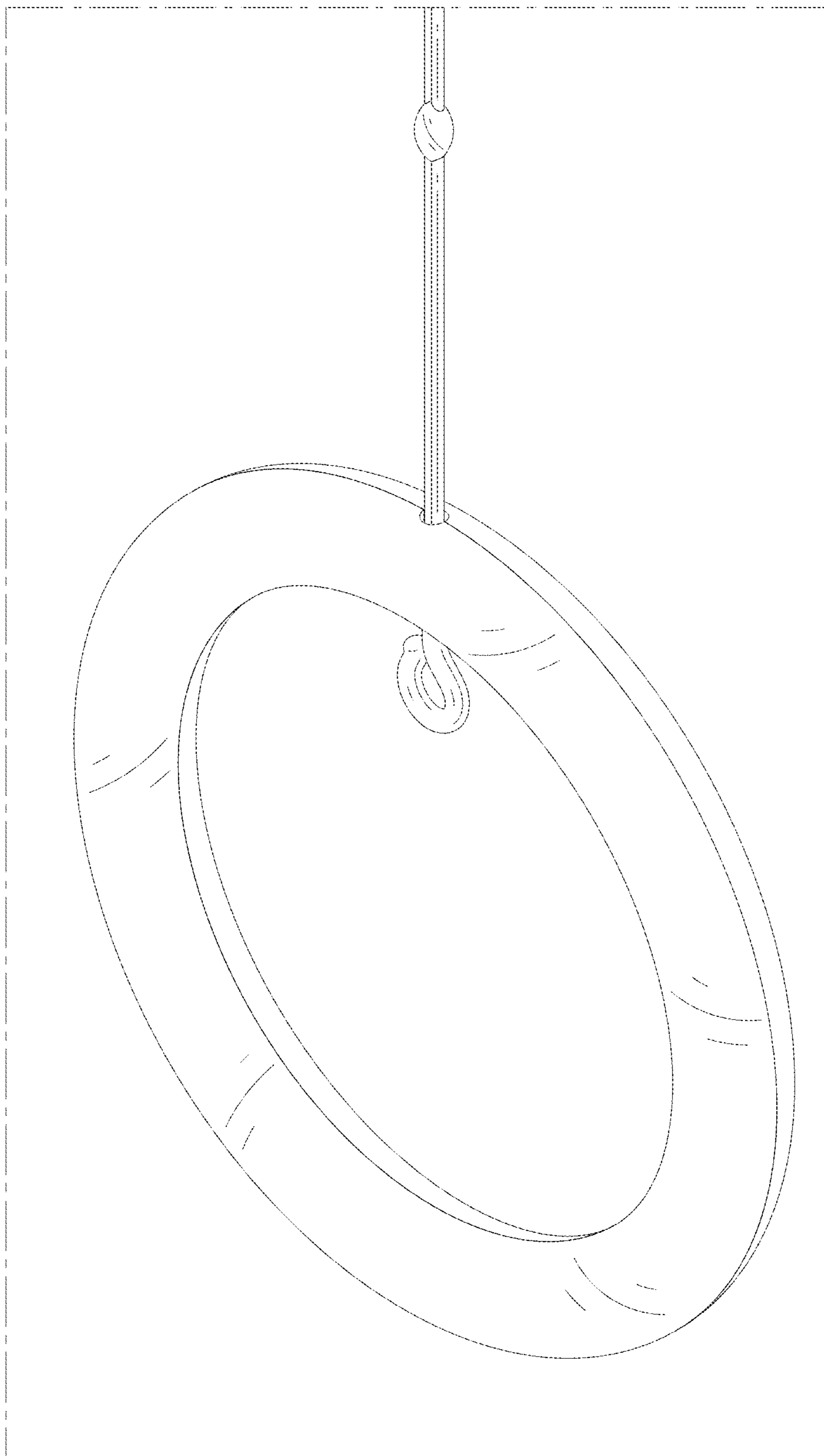


FIG. 11