



US00D973239S

(12) **United States Design Patent**
Tian

(10) **Patent No.:** **US D973,239 S**

(45) **Date of Patent:** **** Dec. 20, 2022**

(54) **LIGHT**

(71) Applicant: **Xianshuo Tian**, Puning (CN)

(72) Inventor: **Xianshuo Tian**, Puning (CN)

(**) Term: **15 Years**

(21) Appl. No.: **29/805,282**

(22) Filed: **Aug. 26, 2021**

(51) **LOC (13) Cl.** **26-04**

(52) **U.S. Cl.**

USPC **D26/25**

(58) **Field of Classification Search**

USPC D26/1, 2, 4, 24, 25, 27, 57, 61, 67, 73,
D26/94, 98, 103, 110, 119, 128;
D11/117, 121, 130

CPC F21S 4/00; F21S 4/10; F21S 4/15; F21S
4/20; F21S 4/22; F21S 4/24; F21S 4/26;
F21W 2121/00; F21W 2121/04; F21W
2131/109

See application file for complete search history.

(56) **References Cited**

U.S. PATENT DOCUMENTS

D884,931 S *	5/2020	Yang	D26/24
D918,439 S	5/2021	Tirosh		
D942,652 S *	2/2022	Zhang	D26/1
D952,911 S *	5/2022	Luo	D26/1
2006/0215398 A1 *	9/2006	Farmer	G09F 9/33 362/227
2010/0124054 A1 *	5/2010	Chen	F21V 19/04 362/225
2014/0334142 A1 *	11/2014	Levante	F21S 4/22 362/222
2015/0362164 A1 *	12/2015	Levante	H05B 45/10 315/201
2016/0374180 A1 *	12/2016	Feng	H05B 45/20

(Continued)

FOREIGN PATENT DOCUMENTS

CN	301982820	*	7/2017
CN	304341974	*	11/2017

OTHER PUBLICATIONS

“32.8ft Outdoor” reference by marreal on Amazon.com, date first available Jul. 6, 2020 [online], site visited Aug. 15, 2022, available from internet URL: <https://www.amazon.com/Waterproof-Marreal-changeeful-decoration-outdoor/dp/B08CDST1WN/> (Year: 2020).*

(Continued)

Primary Examiner — Marissa J Cash

Assistant Examiner — Liv C Anderson

(57) **CLAIM**

The ornamental design for a light, as shown and described.

DESCRIPTION

FIG. 1 is a perspective view of a light showing my new design;

FIG. 2 is a front elevational view thereof;

FIG. 3 is a rear elevational view thereof;

FIG. 4 is a left side elevational view thereof;

FIG. 5 is a right side elevational view thereof;

FIG. 6 is a top plan view thereof;

FIG. 7 is a bottom plan view thereof;

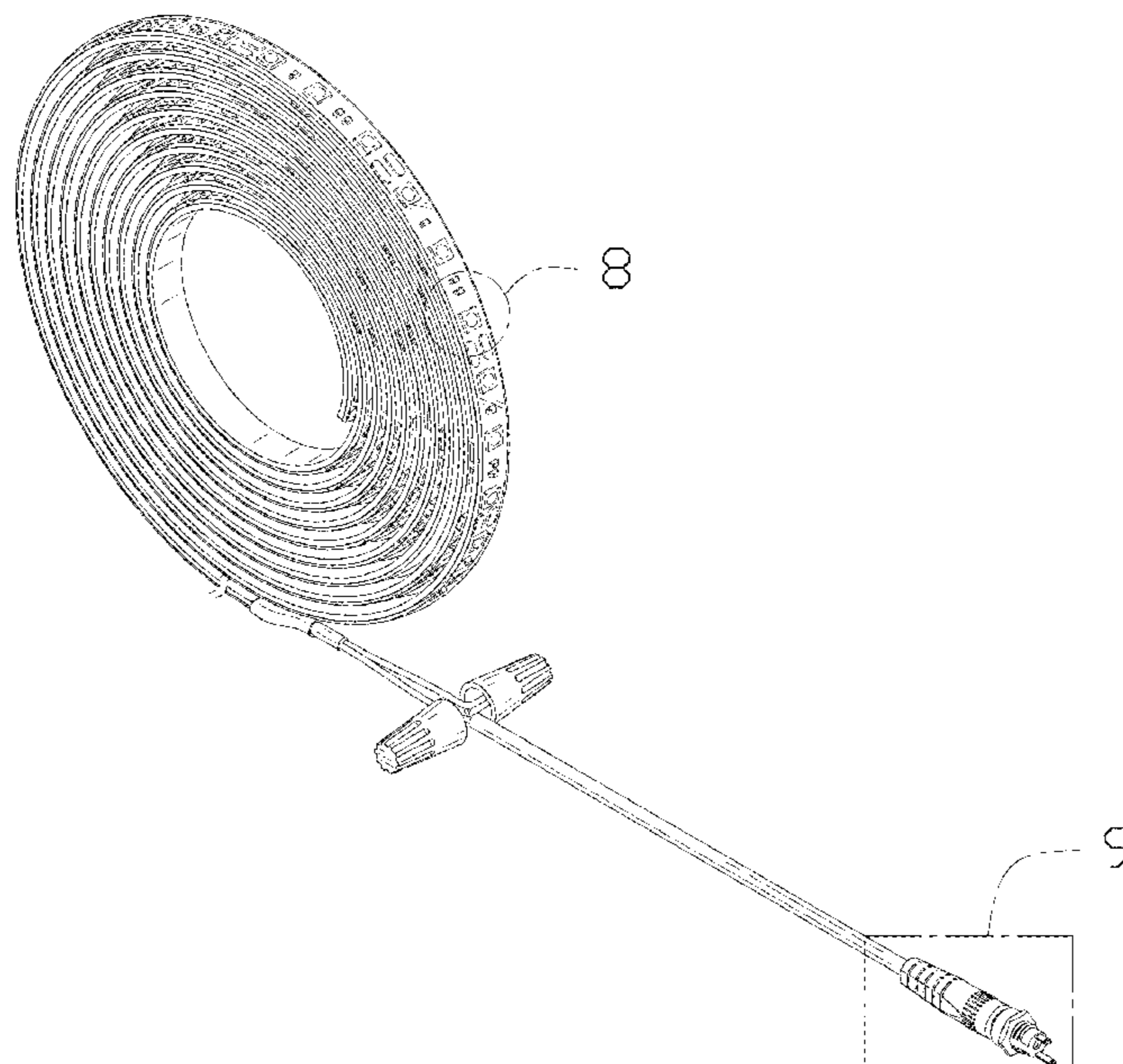
FIG. 8 is an enlarged view of portion 8 shown in FIG. 1;

FIG. 9 is an enlarged view of portion 9 shown in FIG. 1; and,

FIG. 10 is an enlarged view of portion 10 shown in FIG. 2.

The light are shown with a symbolic break in its length and the appearance of any portion of the light between the break lines form no part of the claimed design. The dot-dash broken lines encircling enlarged views are for annotative purposes only and form no part of the claimed design.

1 Claim, 10 Drawing Sheets



(56)

References Cited

U.S. PATENT DOCUMENTS

2017/0365760 A1* 12/2017 Ruan H01L 33/641
2019/0049077 A1* 2/2019 Corvese F21S 4/24

OTHER PUBLICATIONS

“Novostella” reference by DragonSmart on Amazon.com, date first available Jun. 11, 2020 [online], site visited Aug. 15, 2022, available from internet URL: <https://www.amazon.com/Novostella-105ft-Waterproof-Changing-Decorative/dp/B089YSW9ST> (Year: 2020).*

* cited by examiner

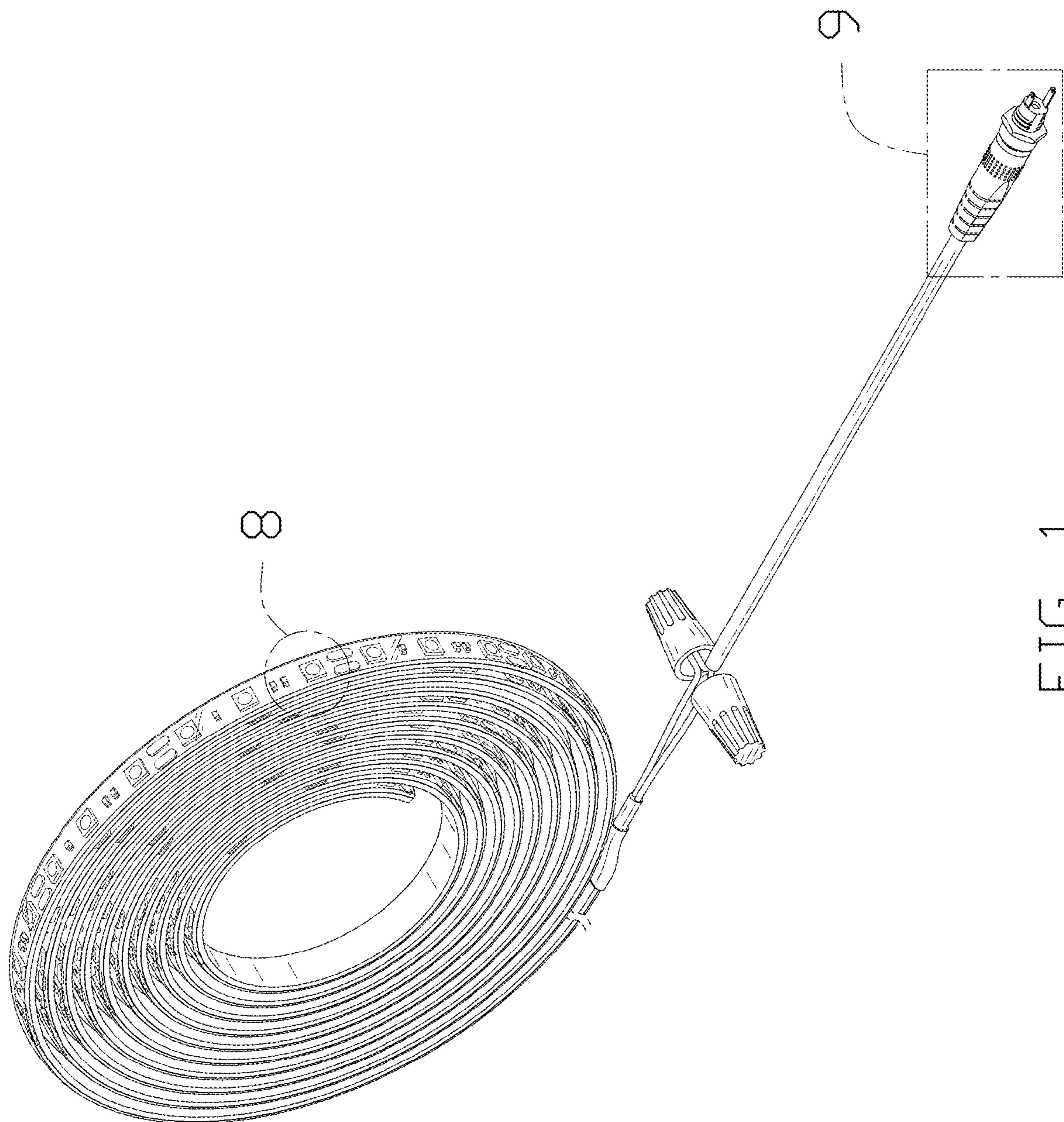


FIG. 1

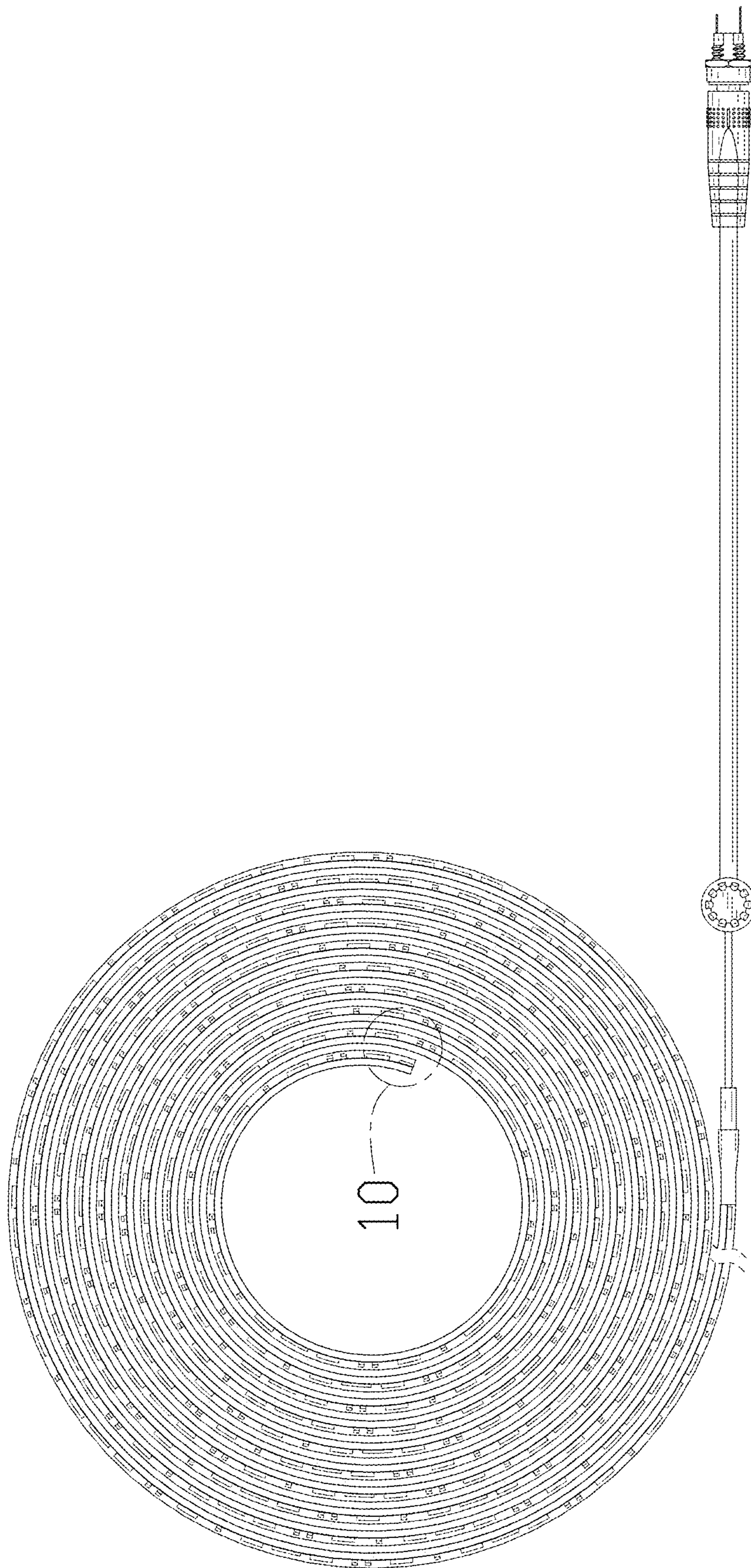


FIG. 2

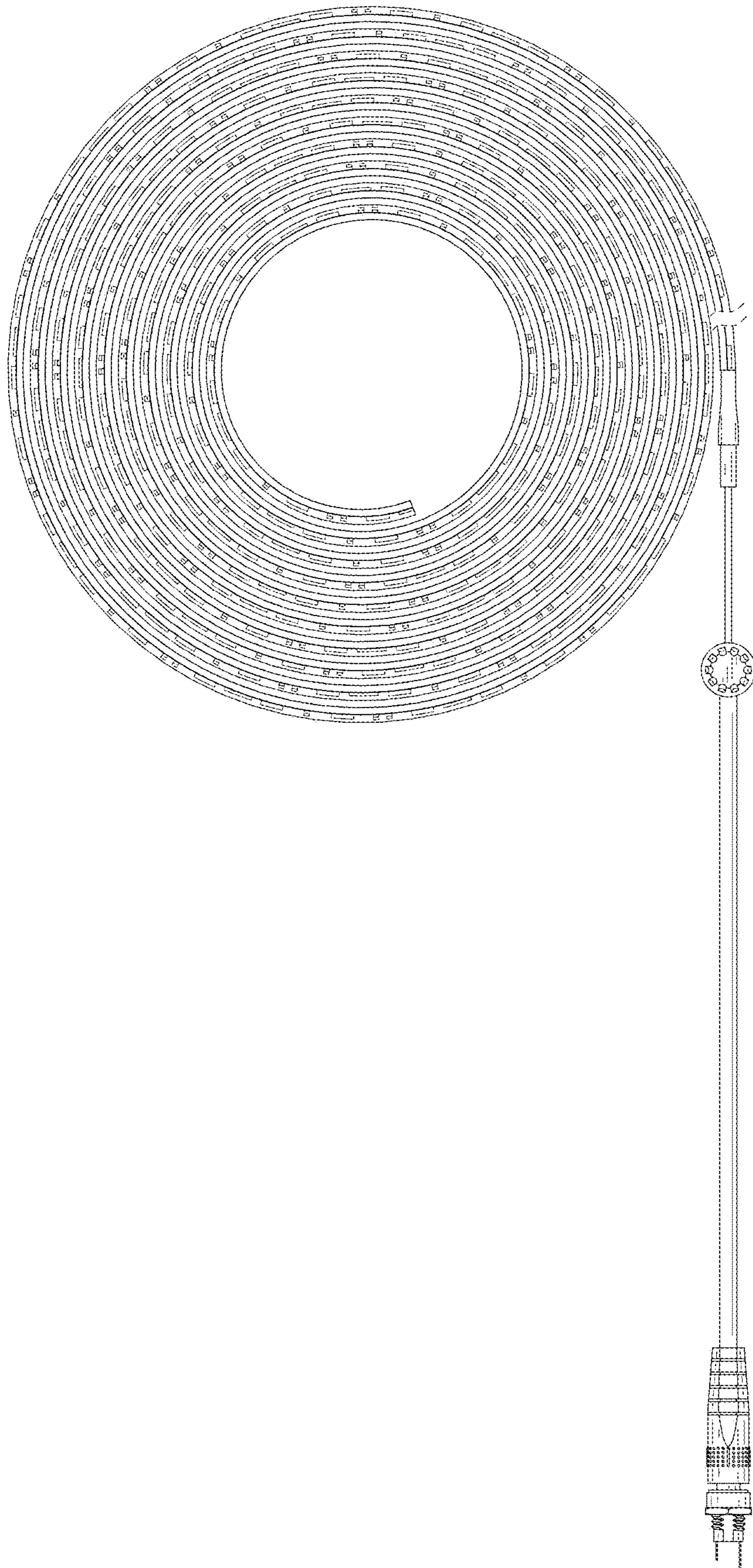


FIG. 3

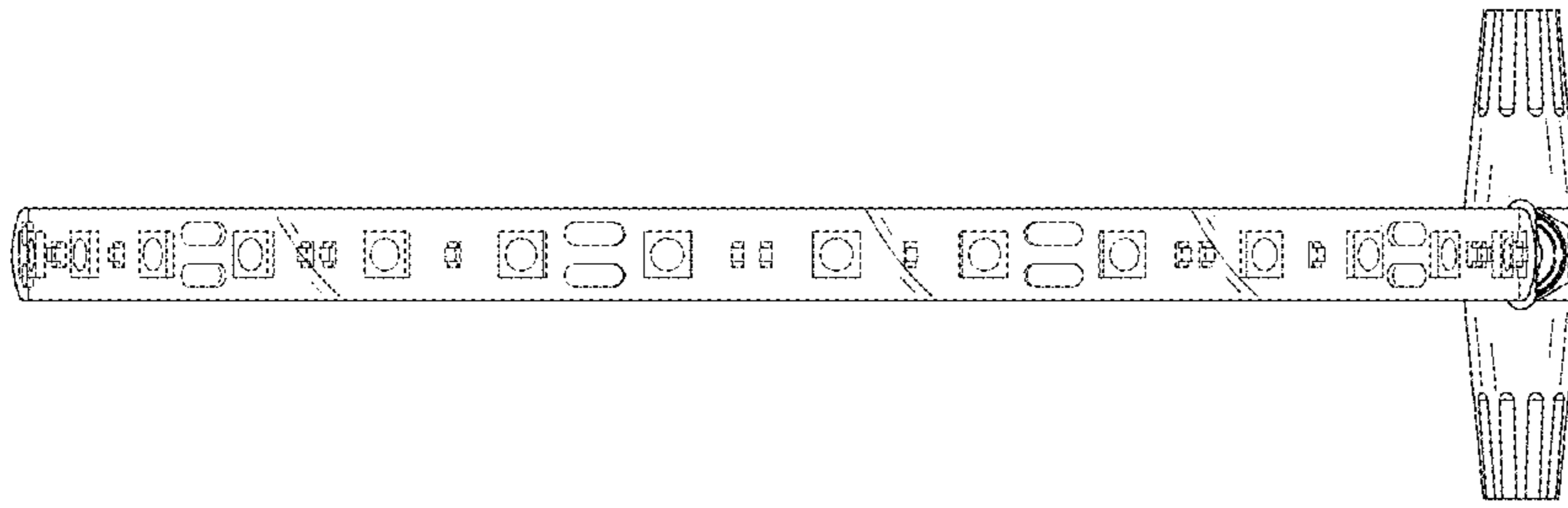


FIG. 4

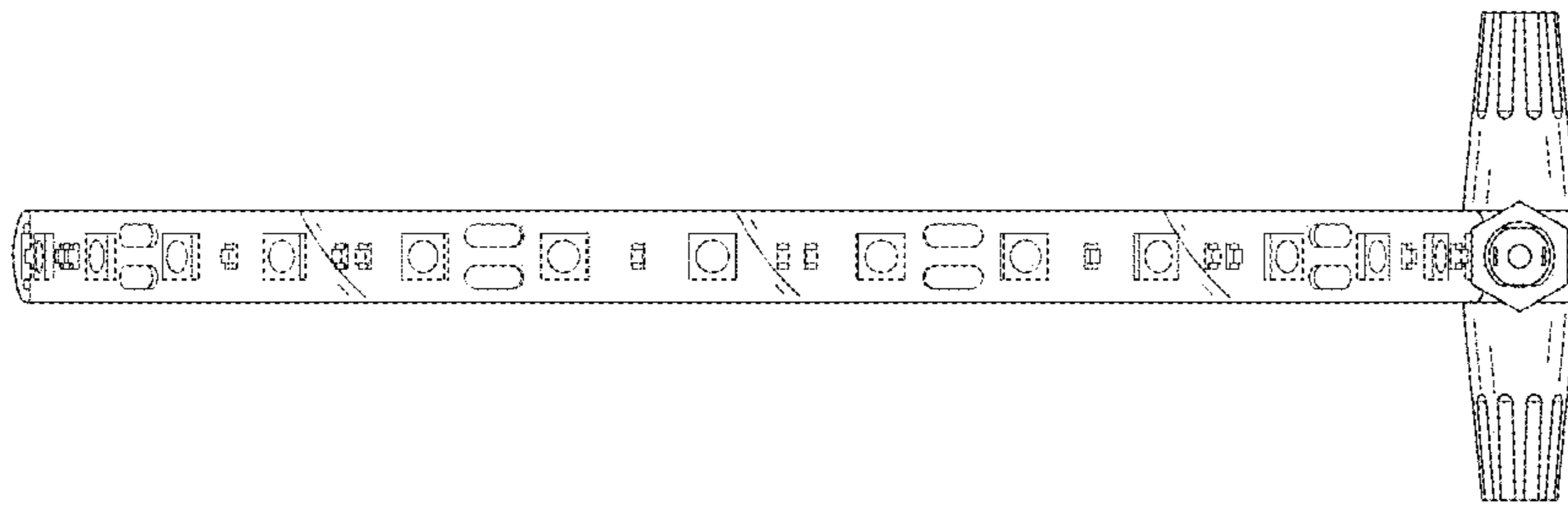


FIG. 5

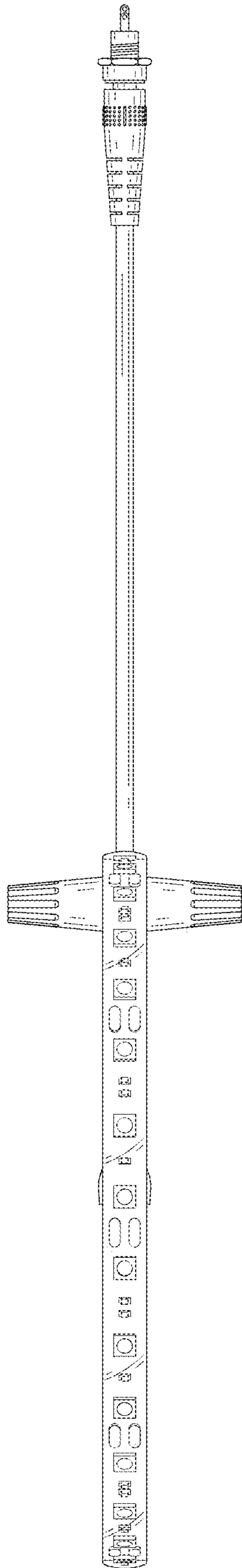


FIG. 6

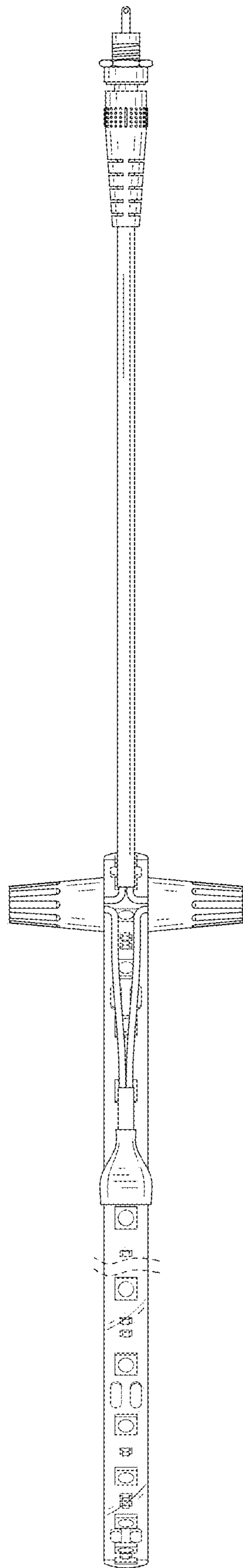


FIG. 7

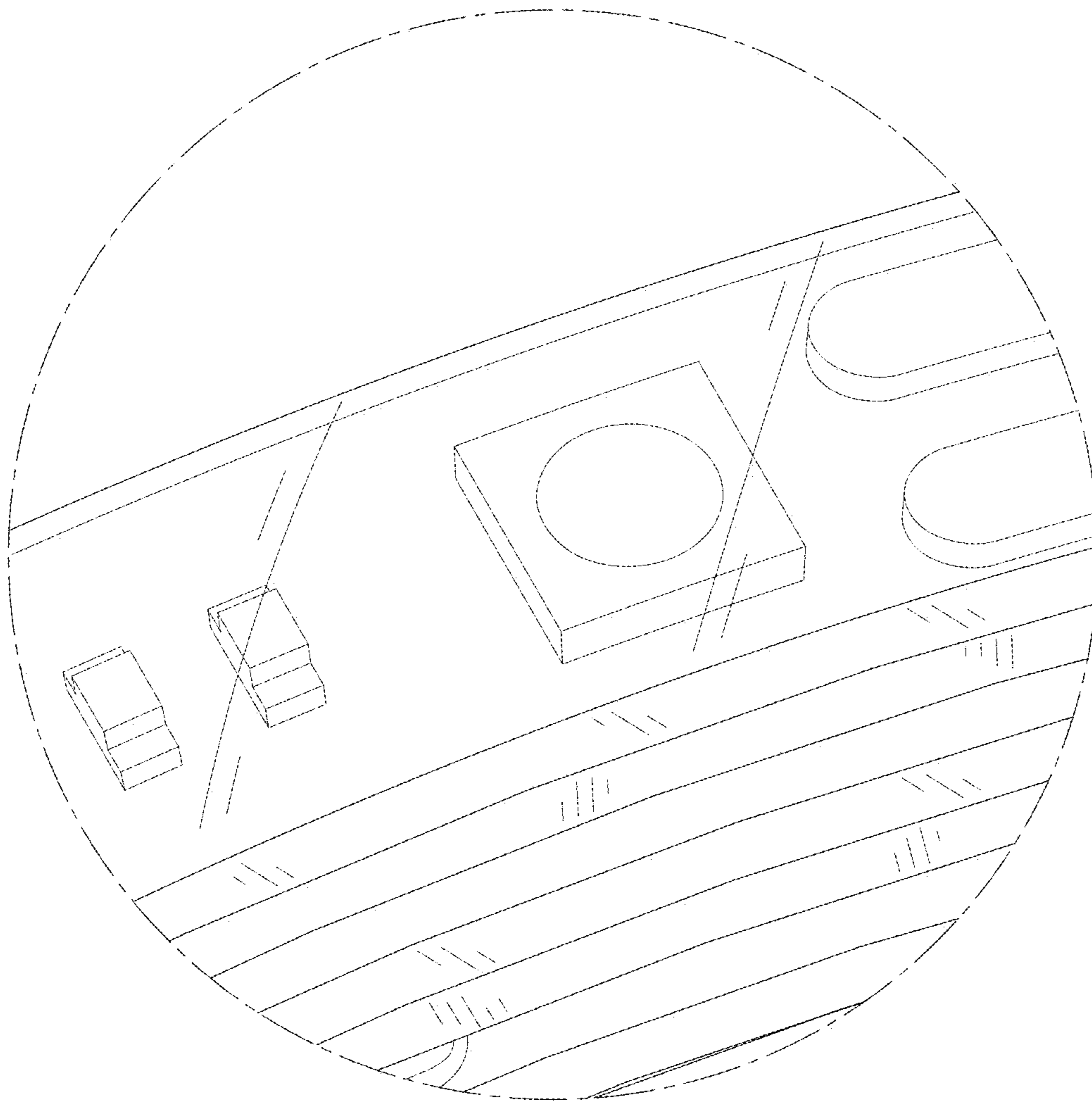


FIG. 8

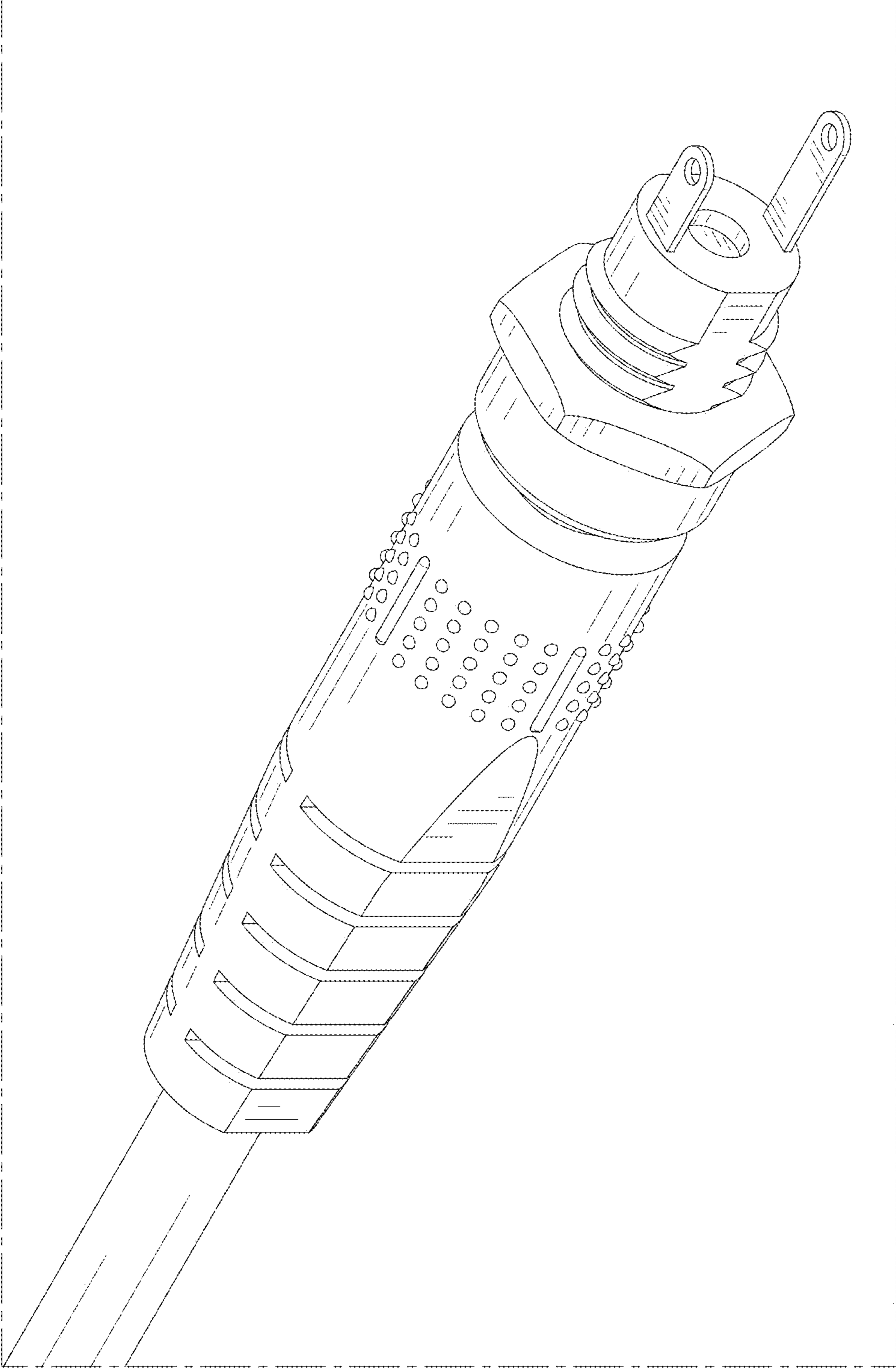


FIG. 9

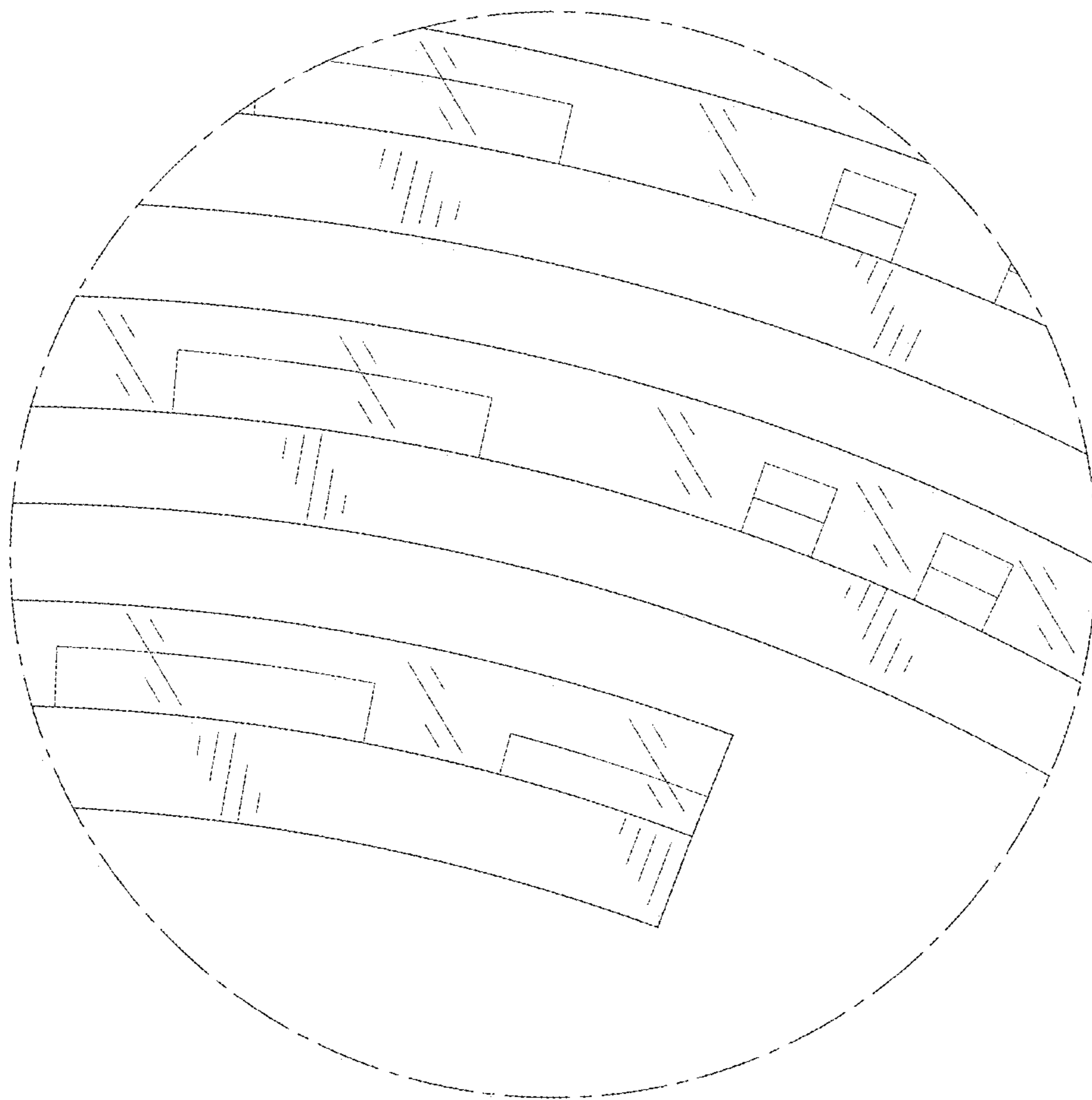


FIG. 10