



US00D973238S

(12) **United States Design Patent** (10) **Patent No.:** **US D973,238 S**
Deng (45) **Date of Patent:** **** Dec. 20, 2022**

(54) **LED LIGHT**
(71) Applicant: **Ming Deng**, Shenzhen (CN)
(72) Inventor: **Ming Deng**, Shenzhen (CN)
(**) Term: **15 Years**

2002/0014960 A1* 2/2002 Williams, Jr. G06F 3/0202
340/500
2006/0012978 A1* 1/2006 Allsop F21V 23/0442
362/183
2008/0247193 A1* 10/2008 Hsu H01R 33/97
362/650

(21) Appl. No.: **29/738,485**
(22) Filed: **Jun. 18, 2020**
(51) **LOC (13) Cl.** **26-03**
(52) **U.S. Cl.**
USPC **D26/24**
(58) **Field of Classification Search**
USPC D26/1, 2, 24, 51, 52, 60, 72, 74, 85, 93,
D26/104, 106
CPC F21S 6/00; F21S 8/00; F21S 8/02; F21S
8/03; F21S 8/035; F21S 8/04; F21S 8/06;
F21S 8/061; F21S 8/063; F21S 10/00;
F21K 9/00
See application file for complete search history.

FOREIGN PATENT DOCUMENTS

CN 304242401 * 3/2017
CN 306087392 * 5/2020
CN 306087393 * 5/2020

OTHER PUBLICATIONS

“10 Pack” reference by Ebyphan Technology on Amazon.com, date first available Oct. 7, 2018 [online], site visited Apr. 5, 2022, available from internet URL: <https://www.amazon.com/EBYPHAN-Flexible-Computer-Adjustable-Gooseneck/dp/B07J42QJQ3> (Year: 2018).*

* cited by examiner

Primary Examiner — Marissa J Cash
Assistant Examiner — Liv C Anderson

(56) **References Cited**

U.S. PATENT DOCUMENTS

D376,666 S * 12/1996 Shalvi D26/68
D411,853 S * 7/1999 Cieslikowski D16/136
D435,679 S * 12/2000 Naghi D26/103
D476,106 S * 6/2003 Kim D26/62
D531,339 S * 10/2006 Lee D26/62
D563,581 S * 3/2008 Niu D26/62
D588,735 S * 3/2009 Woodard D26/61
D619,287 S * 7/2010 Liu D26/62
D656,979 S * 4/2012 Yip D16/135
D693,049 S * 11/2013 Meise D26/93
D698,984 S * 2/2014 Meise D26/93
D751,235 S * 3/2016 Sonneman D26/88
D801,568 S * 10/2017 Pan D26/31
D810,328 S * 2/2018 Chen D26/24
D810,349 S * 2/2018 Sempé' D26/104
D831,878 S * 10/2018 Reybier D26/93
D895,176 S * 9/2020 Broom D26/24

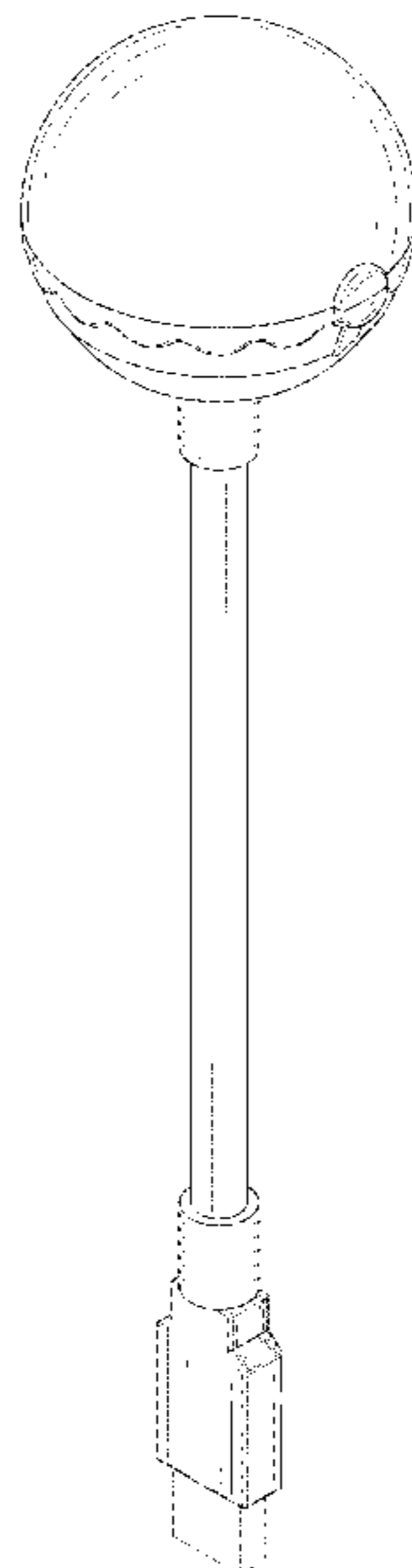
(57) **CLAIM**

The ornamental design for a LED light, as shown and described.

DESCRIPTION

FIG. 1 is a front and top perspective view of a LED light, showing my new design;
FIG. 2 is a rear and bottom perspective view thereof;
FIG. 3 is a front elevational view thereof;
FIG. 4 is a rear elevational view thereof;
FIG. 5 is a left side elevational view thereof;
FIG. 6 is a right side elevational view thereof;
FIG. 7 is a top plan view thereof; and,
FIG. 8 is a bottom plan view thereof.
The broken lines in the figures illustration portions of the LED light that form no part of the claimed design.

1 Claim, 8 Drawing Sheets



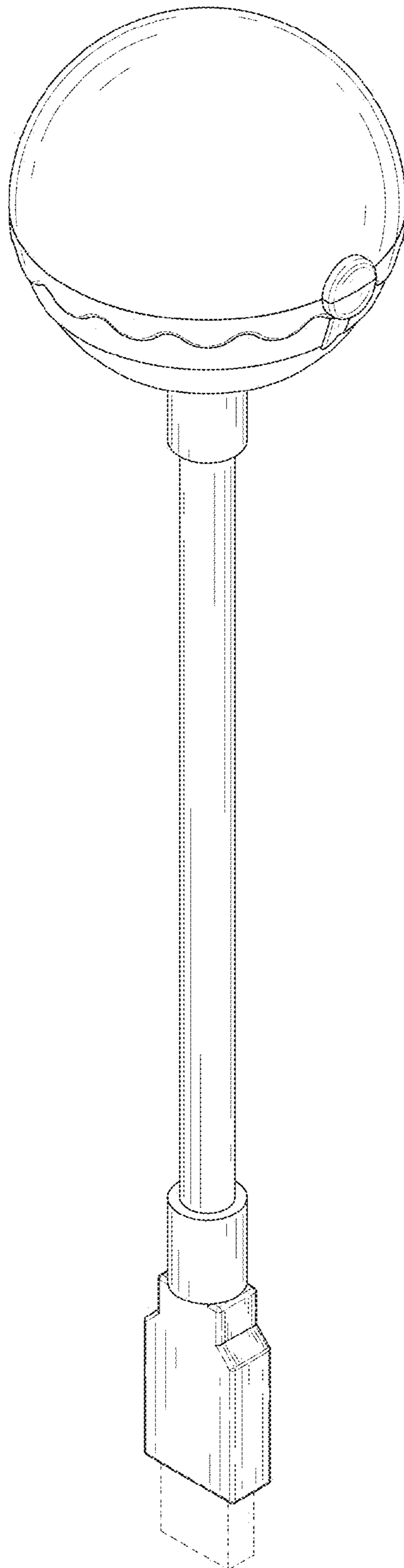


FIG. 1

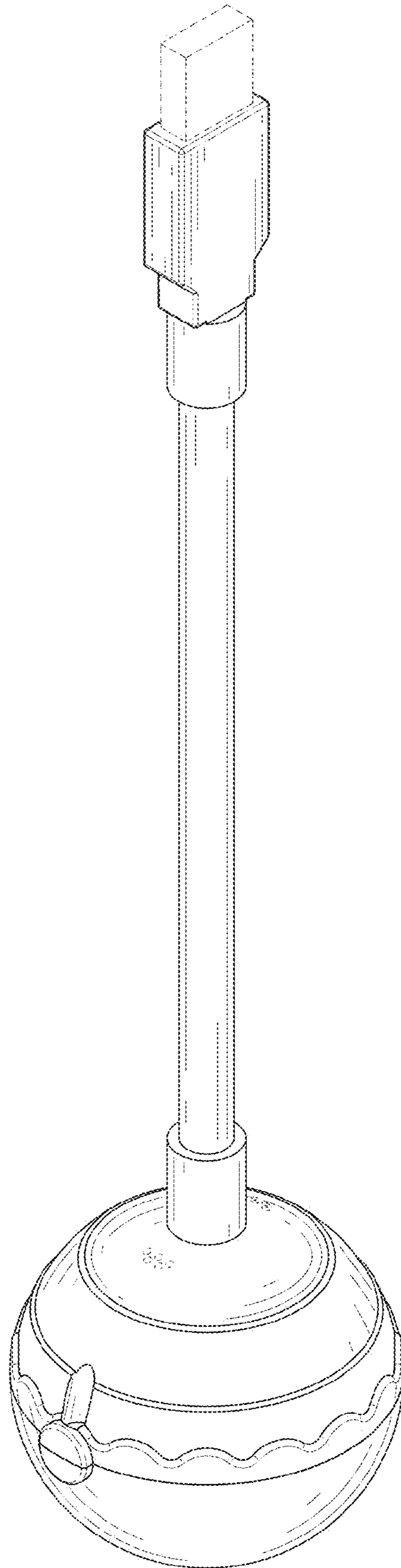


FIG. 2

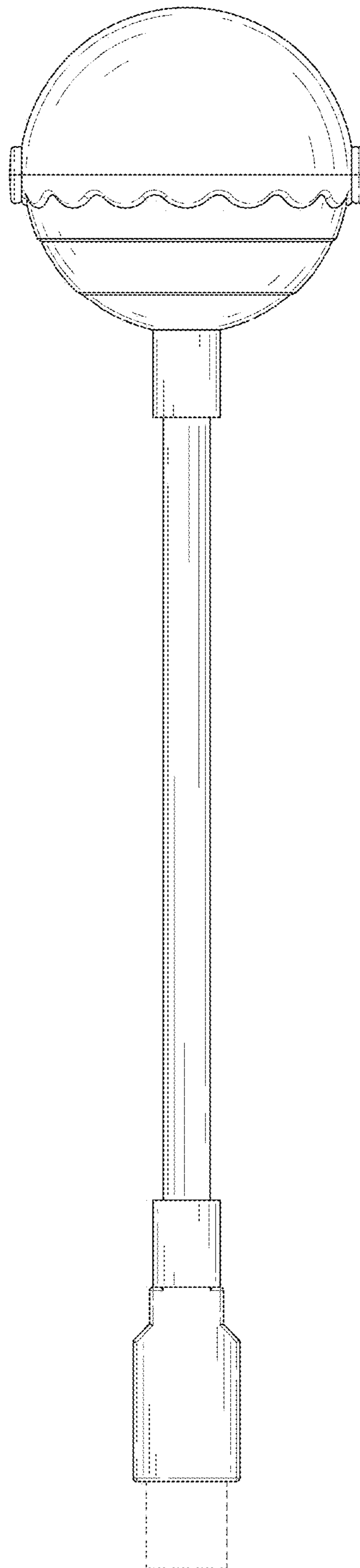


FIG. 3

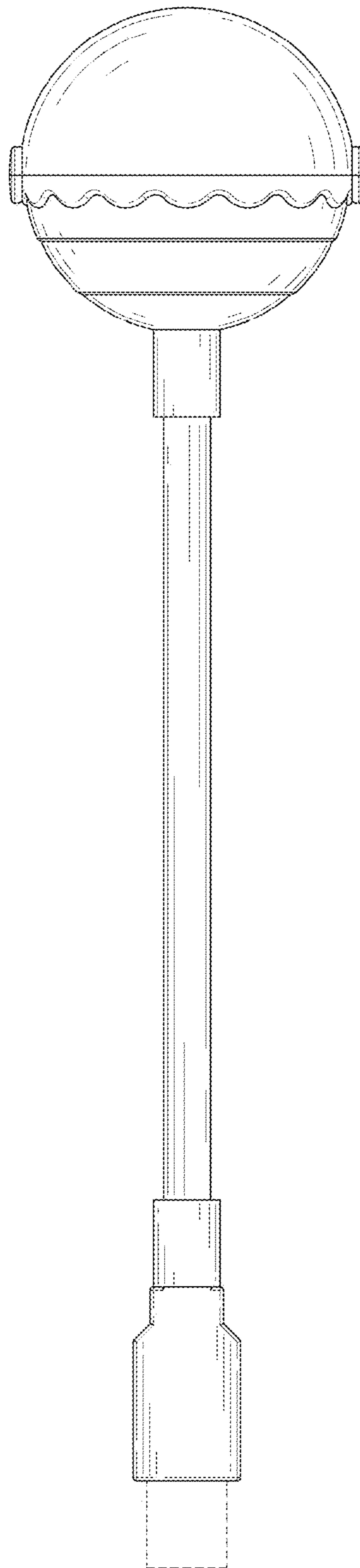


FIG. 4

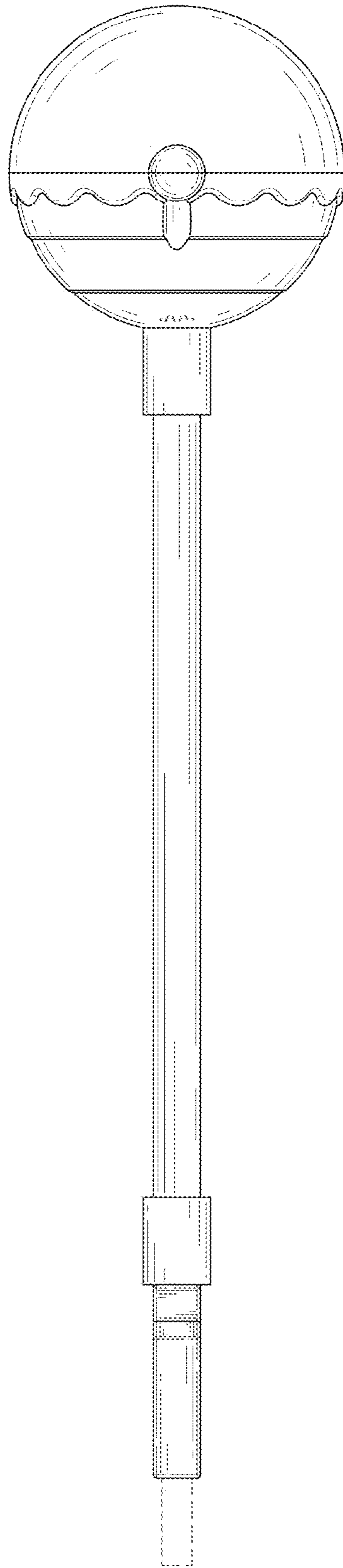


FIG. 5

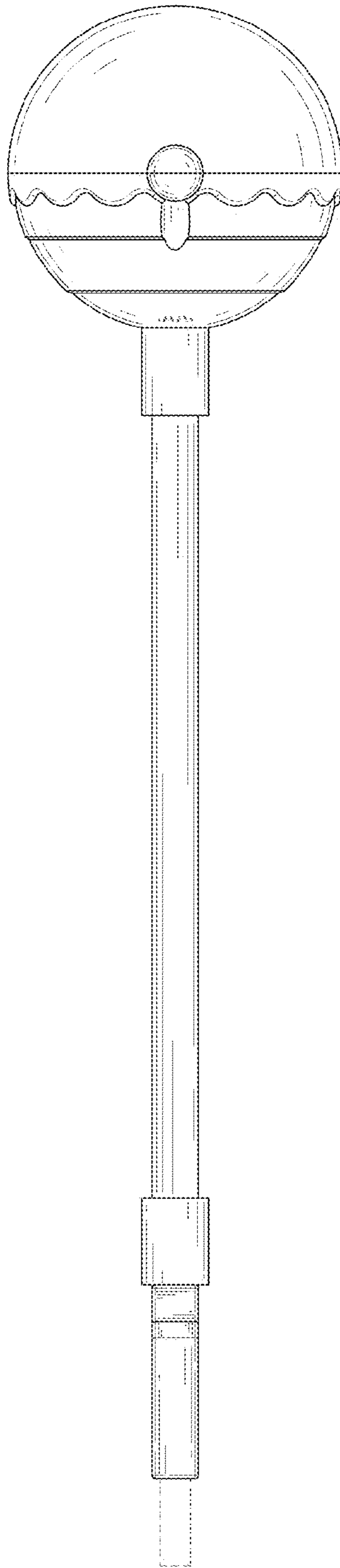


FIG. 6

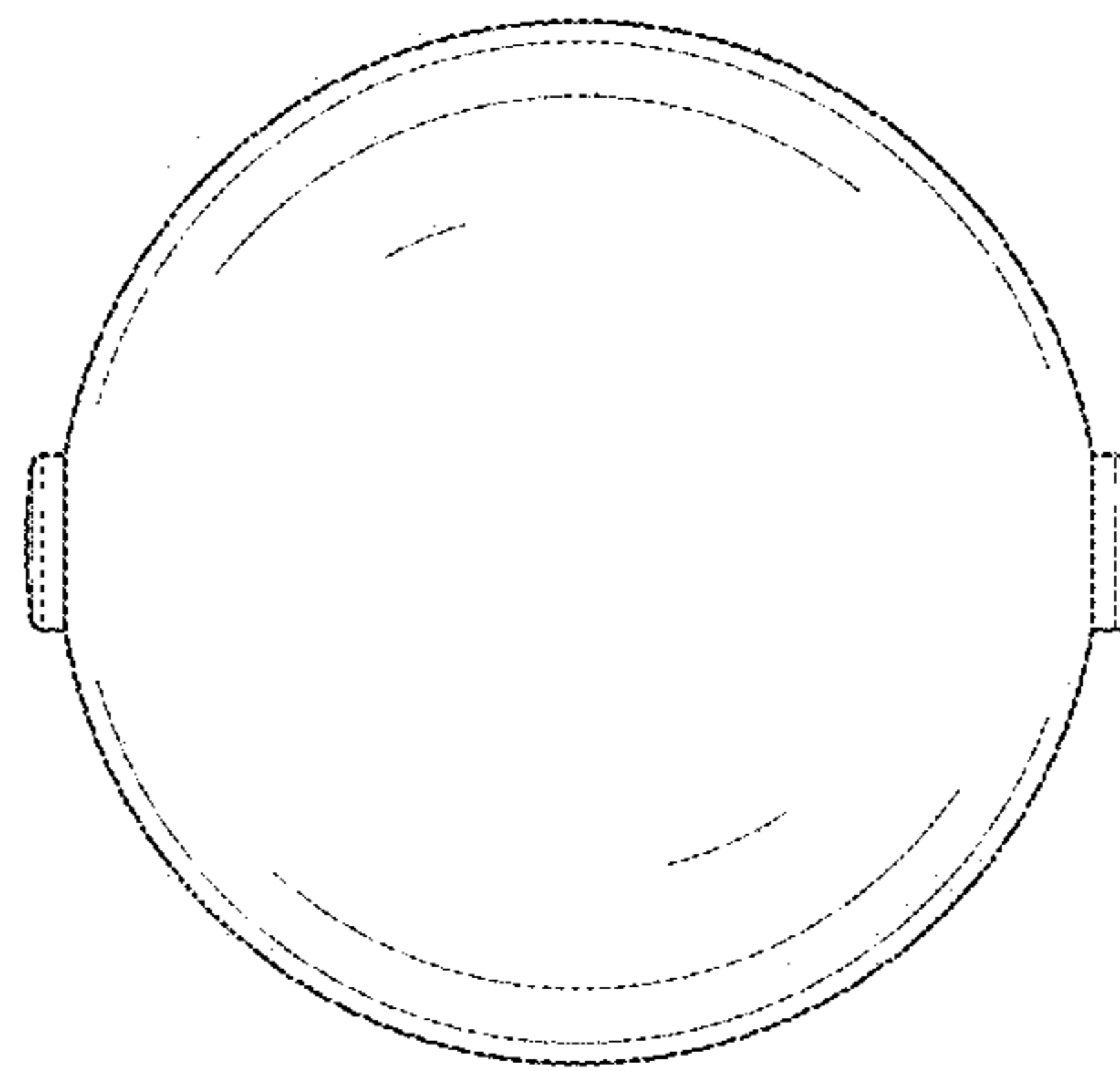


FIG. 7

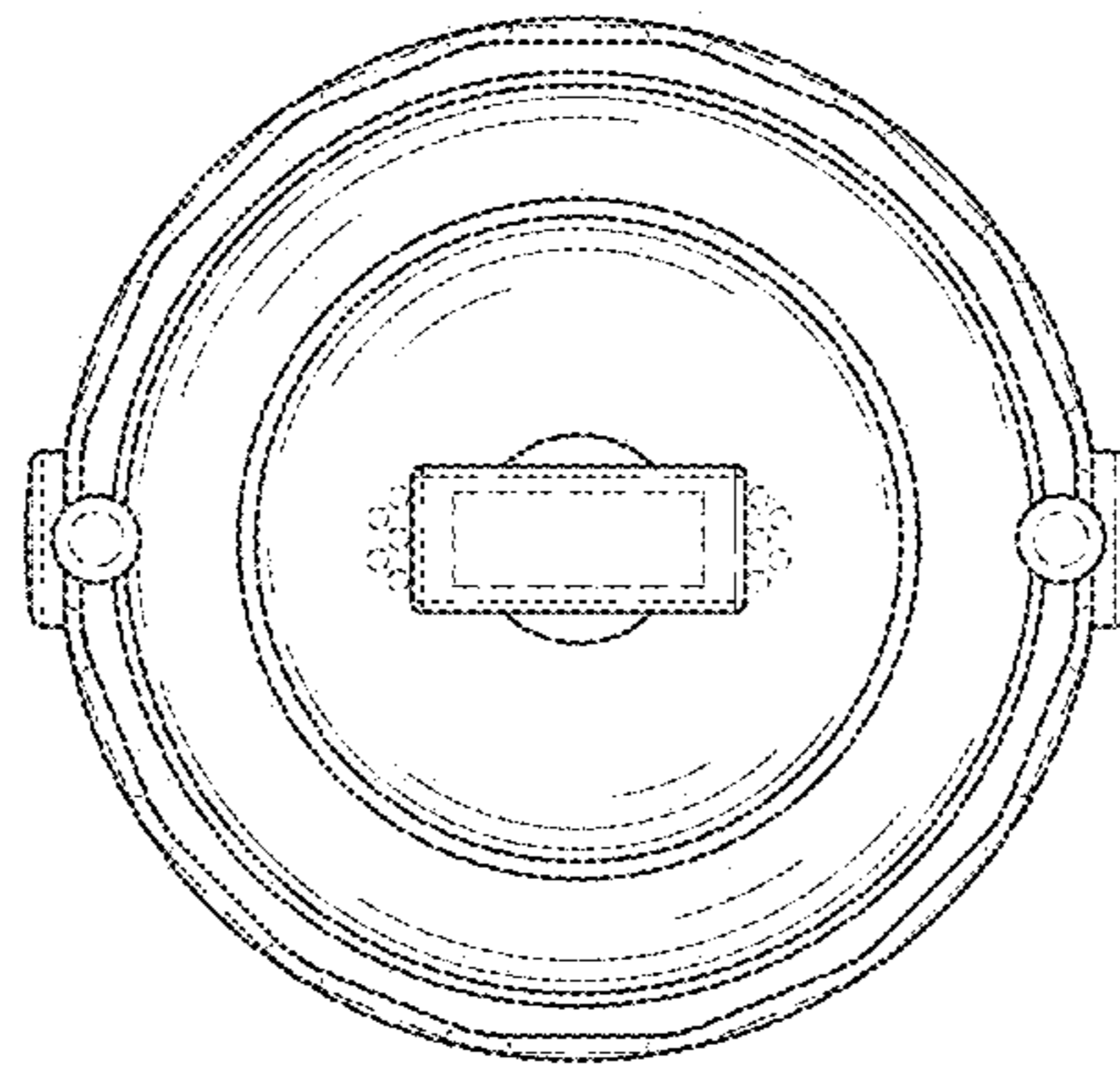


FIG. 8