



US00D973237S

(12) **United States Design Patent** (10) **Patent No.:** **US D973,237 S**
Selak (45) **Date of Patent:** **** Dec. 20, 2022**

(54) **LIGHTING DEVICE**

(71) Applicant: **Steven James Selak**, Pasadena, CA
(US)

(72) Inventor: **Steven James Selak**, Pasadena, CA
(US)

(**) Term: **15 Years**

(21) Appl. No.: **29/765,699**

(22) Filed: **Jan. 11, 2021**

(51) **LOC (13) Cl.** **26-04**

(52) **U.S. Cl.**
USPC **D26/1; D26/138**

(58) **Field of Classification Search**
USPC D26/138, 152, 61, 63, 113, 65, 37, 118,
D26/142, 155; 174/64, 661, 665;
362/362, 546; 313/318.01
CPC F21V 21/02; F21V 23/06; F21V 21/08;
F21S 8/003; H02G 3/0691
See application file for complete search history.

(56) **References Cited**

U.S. PATENT DOCUMENTS

- 2,599,419 A * 6/1952 Stark F21L 4/00
362/185
- 6,226,068 B1 * 5/2001 Arcykiewicz H01R 13/625
439/314
- 6,555,750 B2 * 4/2003 Kiely H02G 3/0691
174/64
- D574,528 S * 8/2008 Witte D26/37
- 7,442,079 B1 * 10/2008 Gretz H02G 3/0691
174/661
- D581,586 S * 11/2008 Conroy D26/138
- D593,706 S * 6/2009 Zayas D26/142
- 7,547,237 B1 6/2009 Zou
- D597,503 S * 8/2009 Maglica D26/1
- 7,661,854 B1 2/2010 Yang et al.
- 7,666,036 B1 2/2010 Zou
- D633,870 S * 3/2011 Thommes D26/113
- D635,293 S * 3/2011 Weiss D26/142

- D657,074 S * 4/2012 Chen D26/1
- D667,569 S * 9/2012 Chen D26/1
- D667,570 S * 9/2012 Chen D26/1
- D691,744 S * 10/2013 Tseng D26/1

(Continued)

FOREIGN PATENT DOCUMENTS

- JP 2011096453 A 5/2011
- KR 300252751.0000 * 2/2000

OTHER PUBLICATIONS

B&P Lamp E12 Candelabra Socket with External Threads, Ring, Hickey, and 12" Leads, available in Amazon.com, date first available Sep. 29, 2016 [online], [site visited Jul. 5, 2022], Available from the internet URL: <https://a.co/d/2qXgQ5t> (Year: 2016).*

Primary Examiner — Brett Miller
Assistant Examiner — Jasmine L. Comedy
(74) *Attorney, Agent, or Firm* — Millen, White, Zelano & Branigan, P.C.; William Nixon

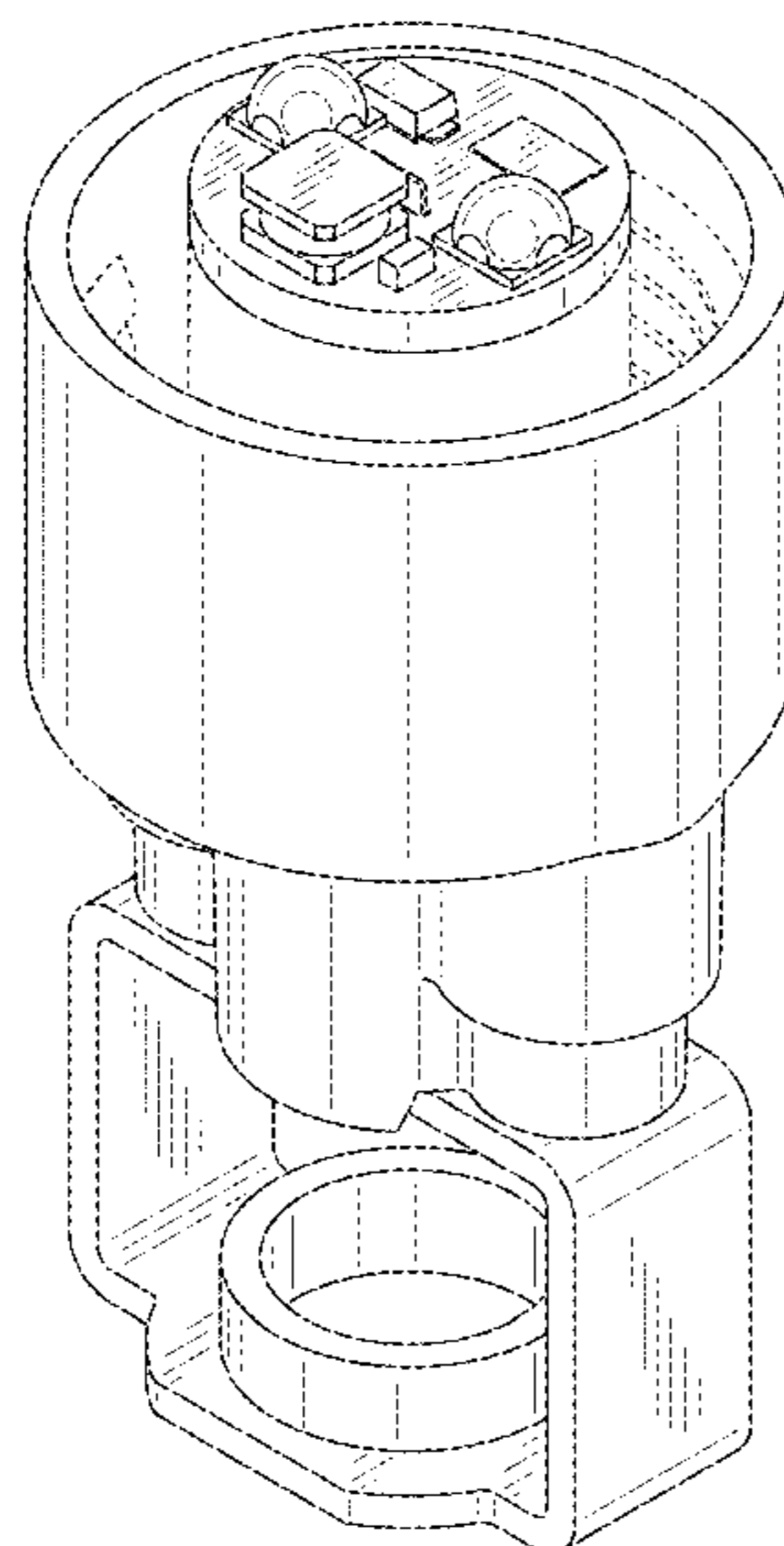
(57) **CLAIM**

The ornamental design for a lighting device, as shown and described.

DESCRIPTION

FIG. 1 illustrates a front perspective view of a lighting device showing my new design;
FIG. 2 illustrates a front elevational view thereof;
FIG. 3 illustrates a rear elevational view thereof;
FIG. 4 illustrates a left side elevational view thereof;
FIG. 5 illustrates a right side elevational view thereof;
FIG. 6 illustrates a top plan view thereof;
FIG. 7 illustrates a bottom plan view thereof; and,
FIG. 8 illustrates another front perspective view thereof.
The broken lines shown throughout the views depict unclaimed portions of the lighting device and form no part of the claimed design.

1 Claim, 8 Drawing Sheets



(56)

References Cited

U.S. PATENT DOCUMENTS

D842,531 S * 3/2019 Wojan D26/113
10,473,319 B2 11/2019 Lin et al.
D869,000 S * 12/2019 Sonneman D26/113
10,760,754 B2 9/2020 Grandadam
2009/0294598 A1* 12/2009 Gattari F16G 11/105
248/49
2011/0170289 A1 7/2011 Allen et al.
2012/0037417 A1* 2/2012 Smith H02G 3/0616
174/665
2016/0053985 A1 2/2016 Wang
2016/0195235 A1 7/2016 Workman et al.
2019/0032910 A1 1/2019 Long et al.
2020/0284399 A1 9/2020 Roys

* cited by examiner

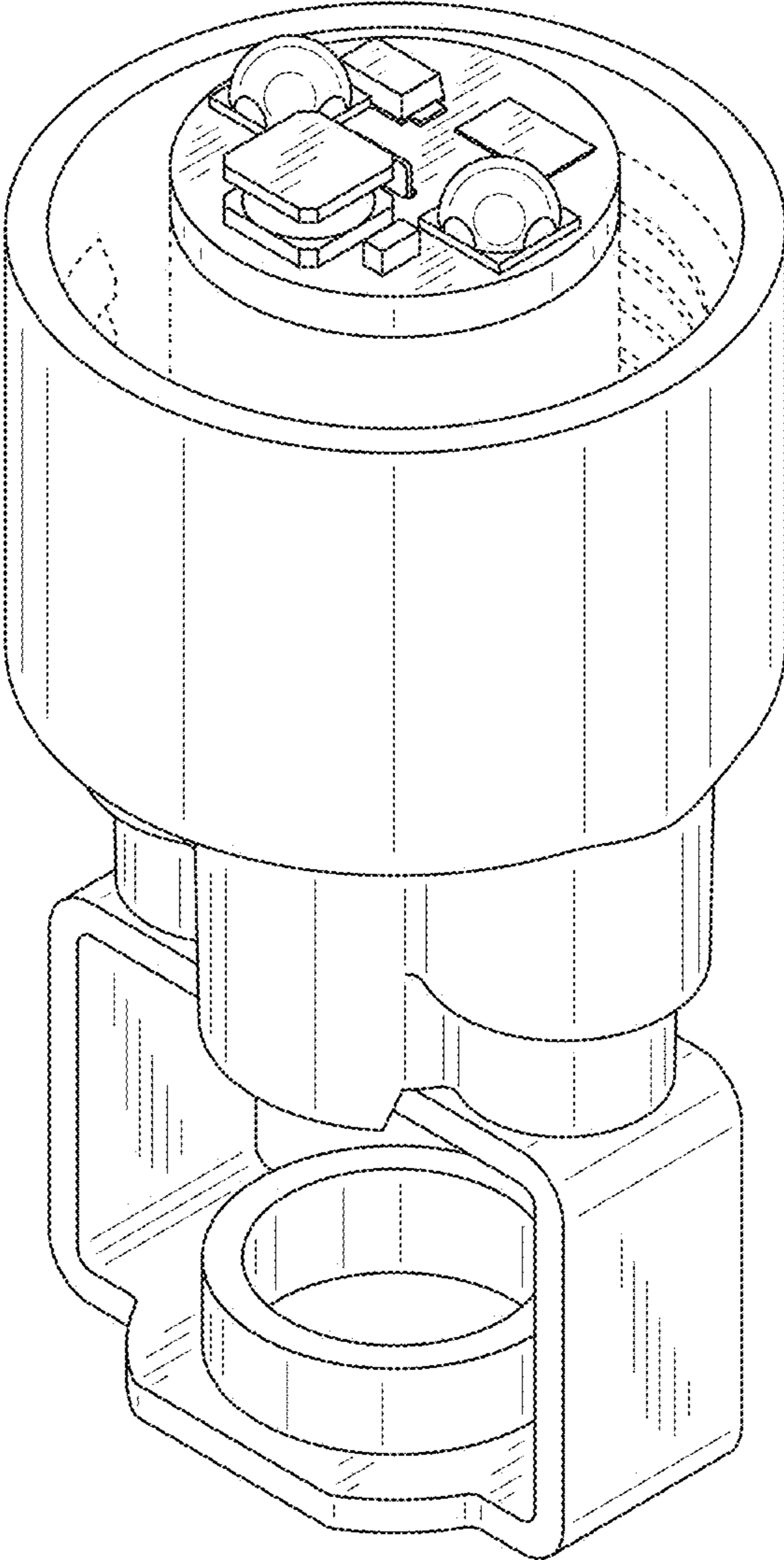


FIG. 1

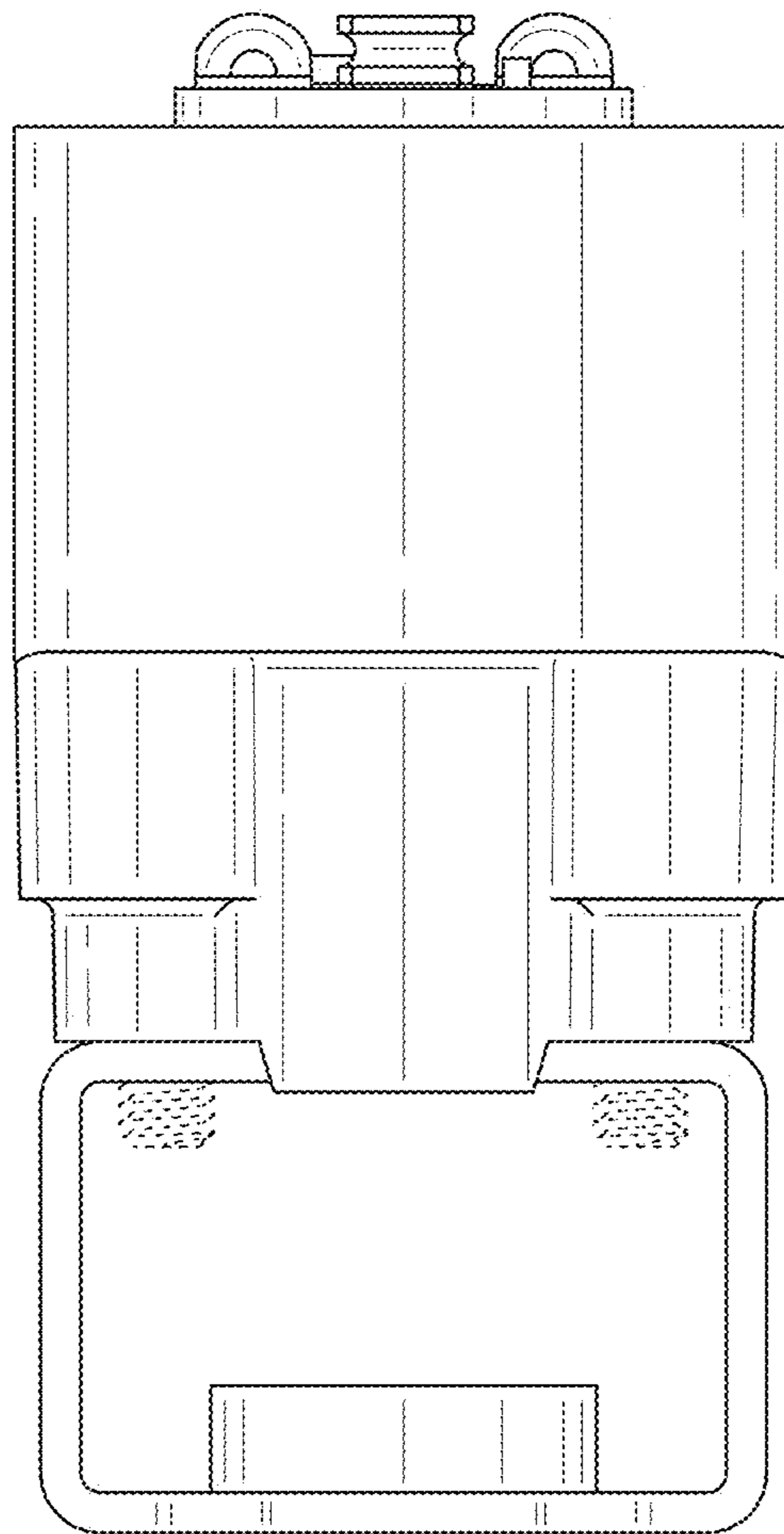


FIG. 2

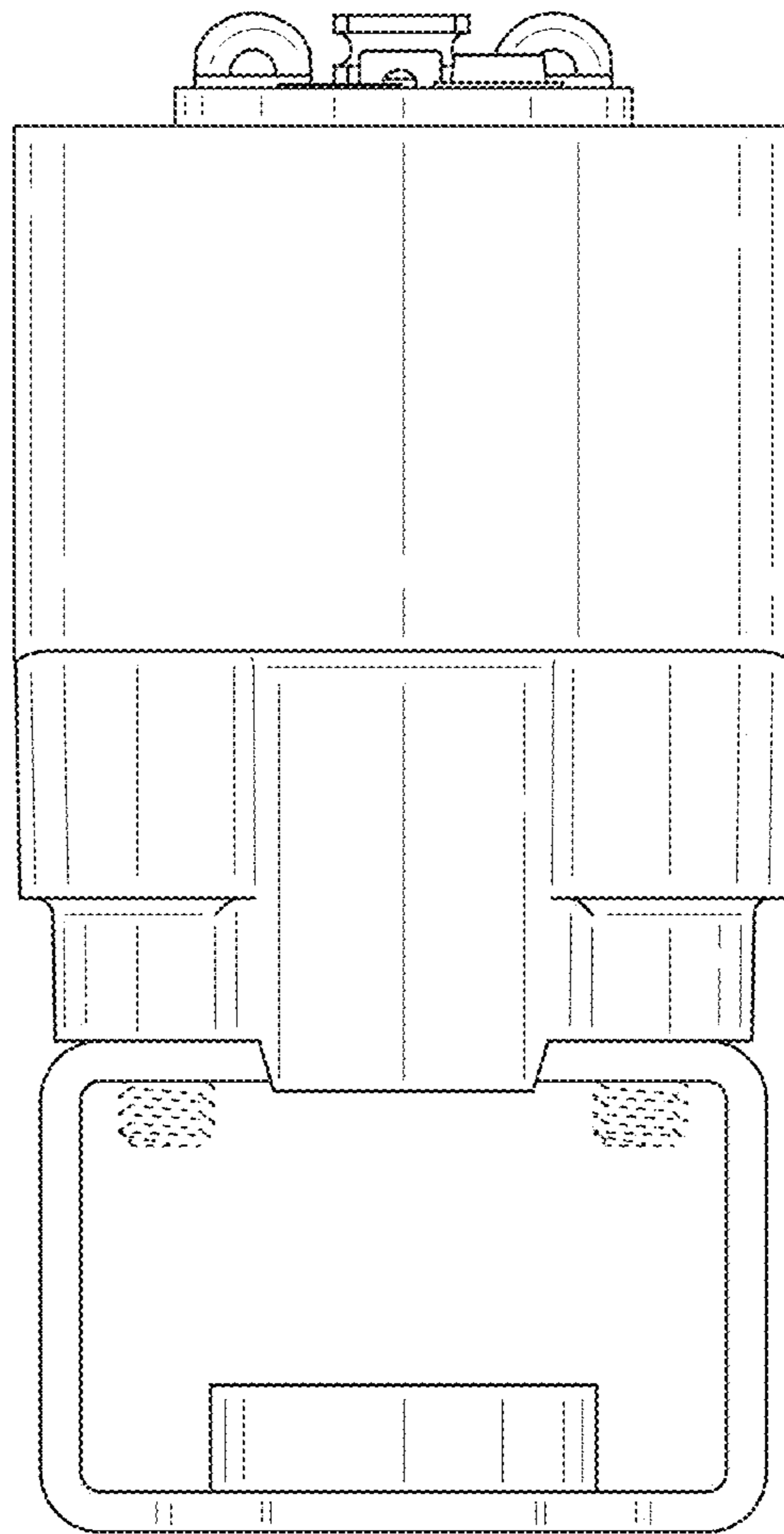


FIG. 3

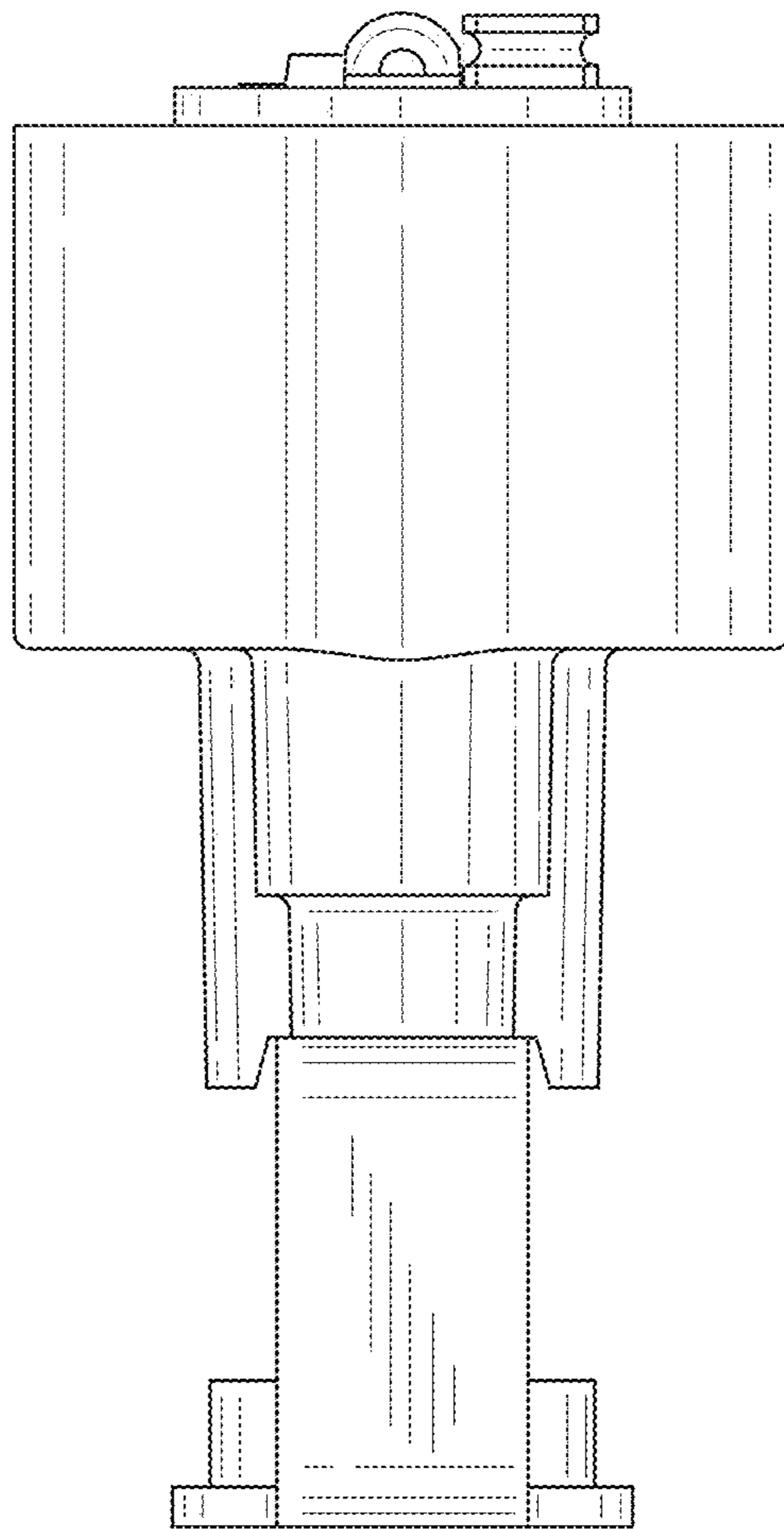


FIG. 4

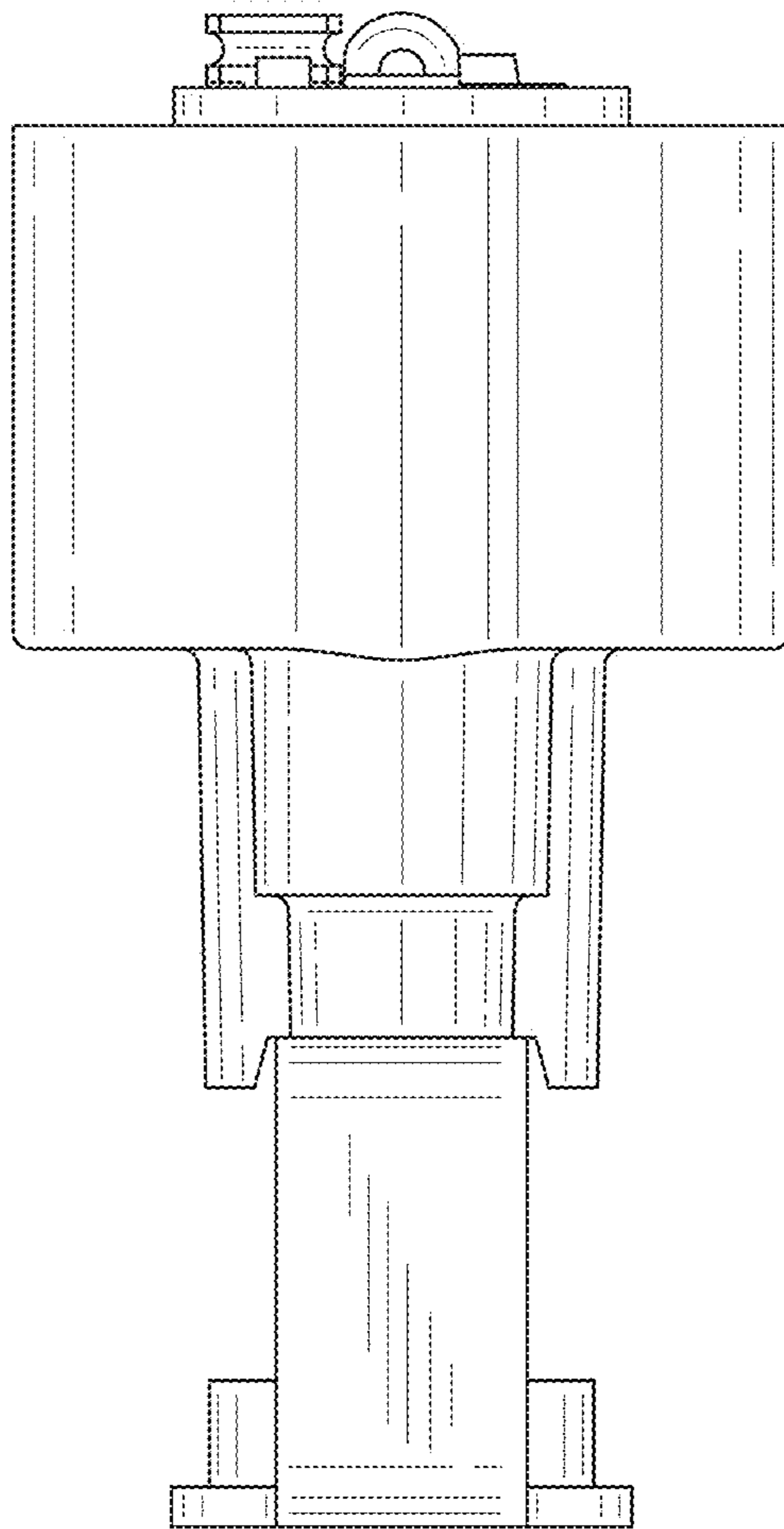


FIG. 5

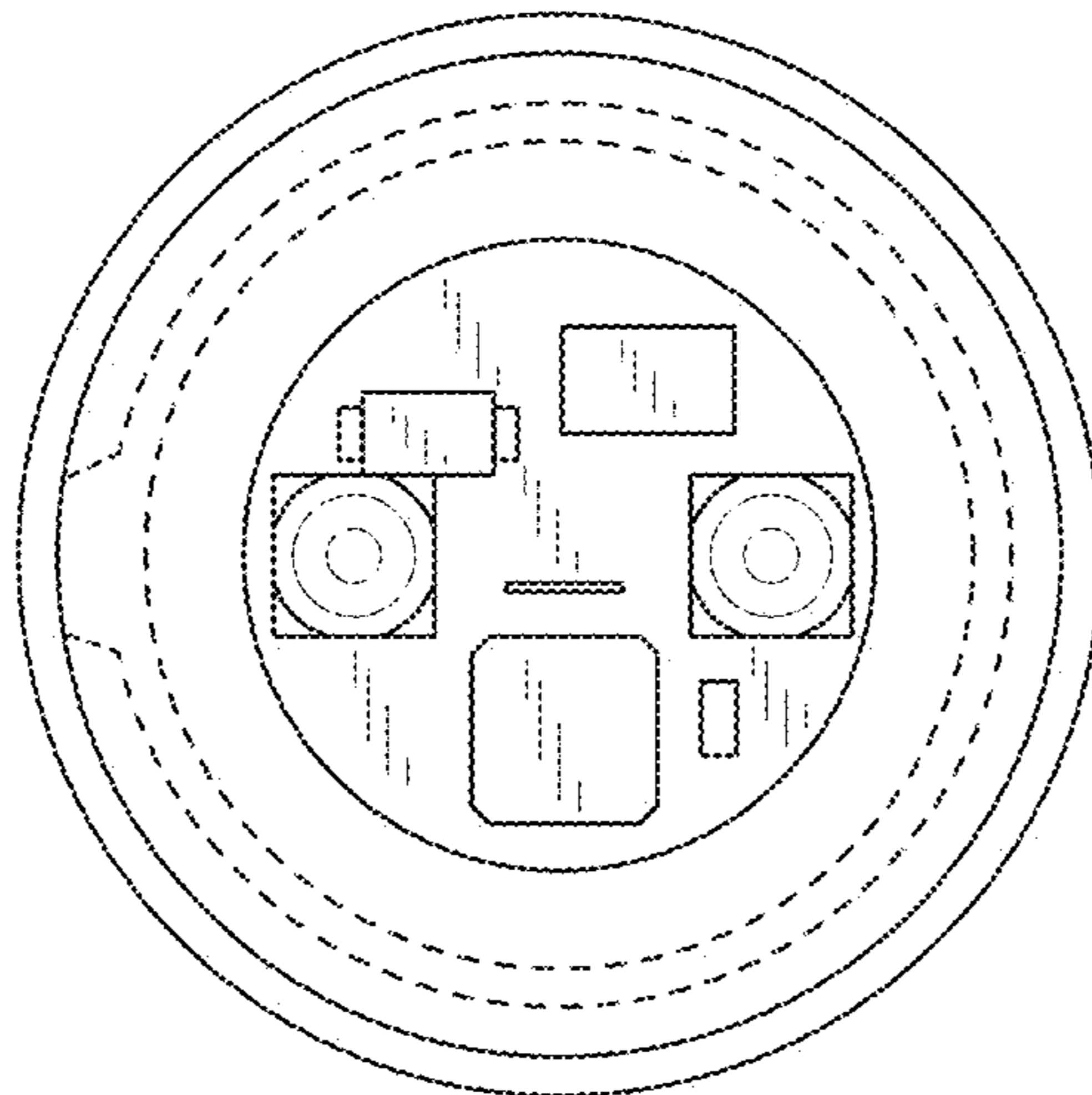


FIG. 6

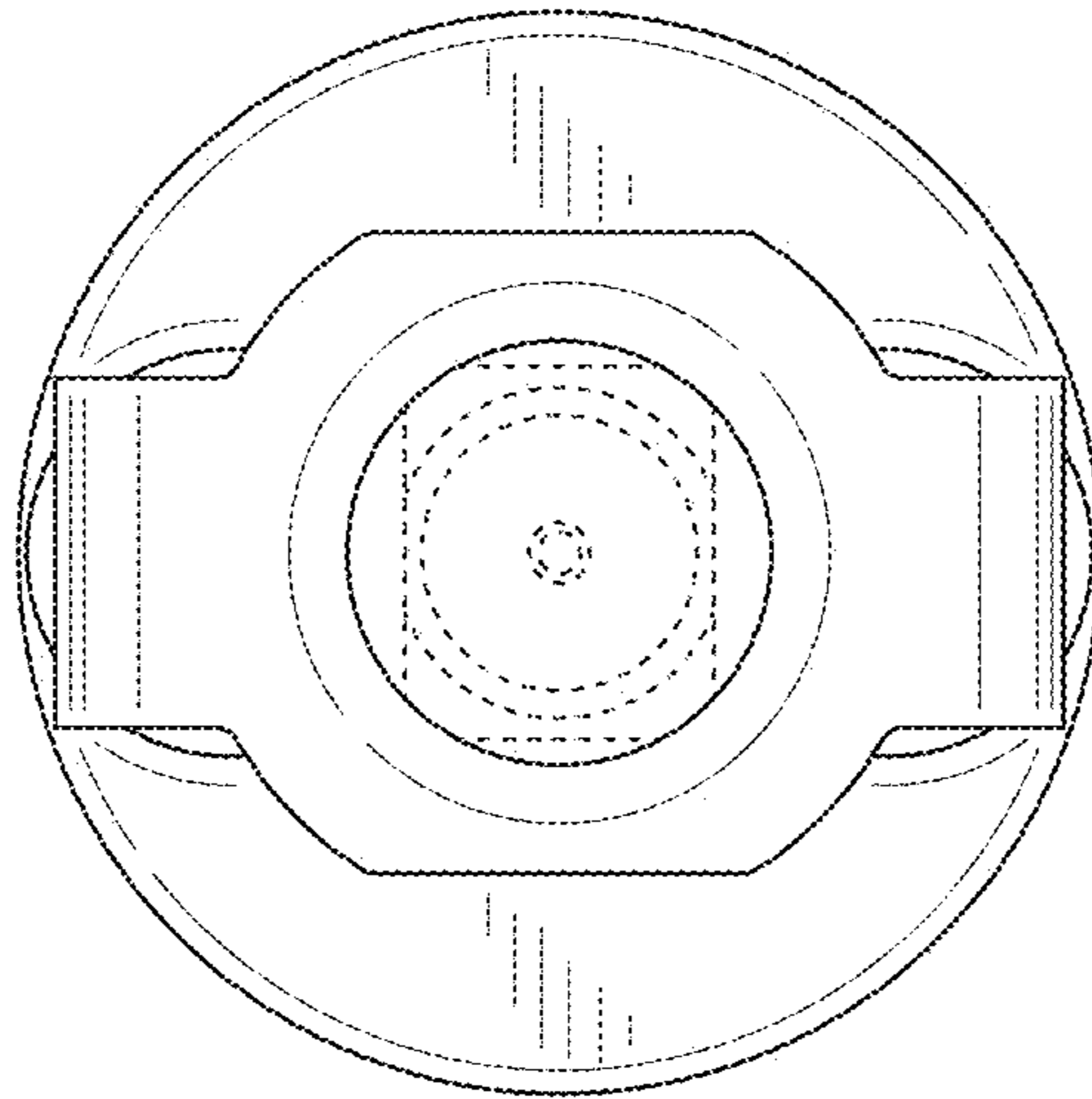


FIG. 7

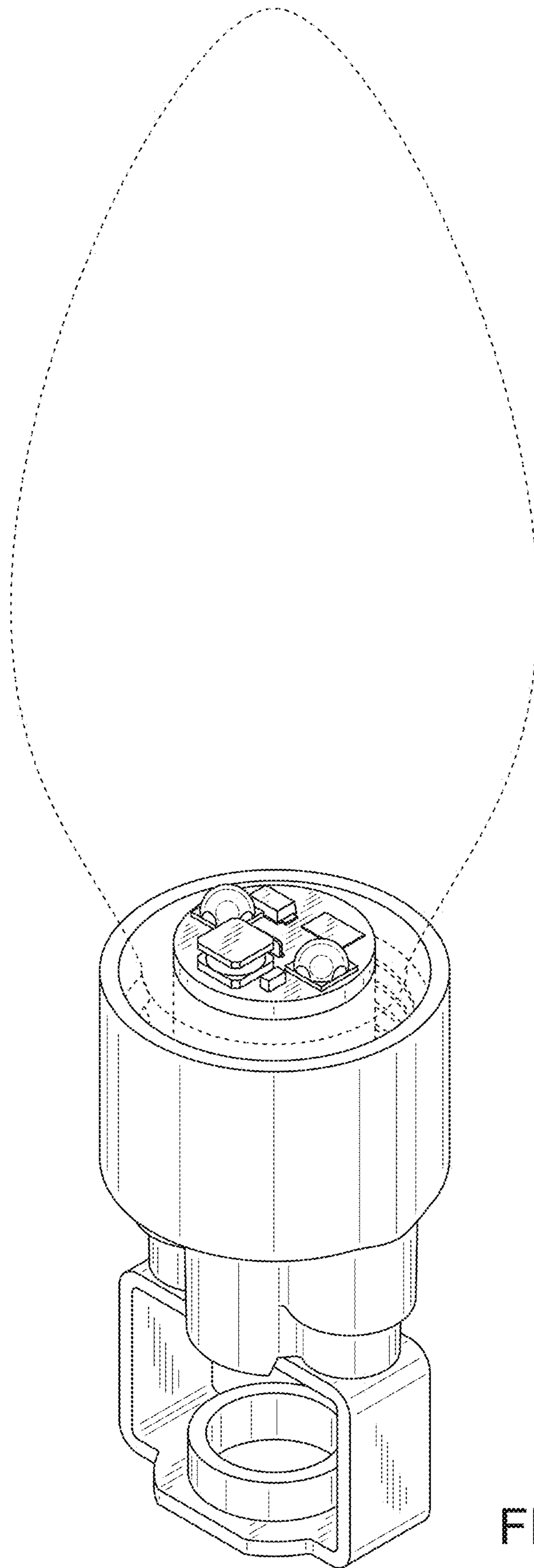


FIG. 8