



US00D973235S

(12) **United States Design Patent** (10) **Patent No.:** **US D973,235 S**
Boor (45) **Date of Patent:** **** Dec. 20, 2022**

(54) **ROOFING TILE**
(71) Applicant: **Brava IP LLC**, Neenah, WI (US)
(72) Inventor: **Billibob Boor**, Neenah, WI (US)
(73) Assignee: **Brava IP LLC**, Neenah, WI (US)
(**) Term: **15 Years**
(21) Appl. No.: **29/778,920**

4,787,190 A 11/1988 Papsdorf
5,070,671 A 12/1991 Fifield et al.
5,157,082 A 10/1992 Johnson
5,312,573 A 5/1994 Rosenbaum et al.
5,366,779 A 11/1994 Thompson
5,752,355 A * 5/1998 Sahramaa E04D 1/26
52/525
6,133,378 A 10/2000 Davis et al.
6,178,703 B1 1/2001 Noone et al.
D453,382 S * 2/2002 Chuang D25/141
6,558,773 B2 5/2003 Edson
7,596,919 B1 10/2009 Vande Hey et al.

(Continued)

(22) Filed: **Apr. 15, 2021**
(51) **LOC (13) Cl.** **25-01**
(52) **U.S. Cl.**
USPC **D25/141**
(58) **Field of Classification Search**
USPC D25/139, 141, 143
CPC E04D 1/12; E04D 1/14; E04D 1/16; E04D
1/20; E04D 1/26; E04D 1/265; E04D
1/02; E04D 1/28; E04D 1/06; E04D 3/02;
E04D 3/04; E04D 3/35; E04D 3/24;
E04D 2001/3494; E04D 2001/3497
See application file for complete search history.

FOREIGN PATENT DOCUMENTS

CH 603965 8/1978
WO 2005/067470 7/2005

OTHER PUBLICATIONS

GB2008348.1, Search Report dated Oct. 20, 2020, 4 pages.

Primary Examiner — Doris Clark
(74) *Attorney, Agent, or Firm* — Boyle Fredrickson, S.C.

(56) **References Cited**

U.S. PATENT DOCUMENTS

592,474 A 10/1897 Merrill
1,124,001 A 1/1915 Elzey
1,226,888 A 5/1917 Hughes et al.
1,740,217 A 12/1929 Bateheller
1,840,537 A 1/1932 Siebeniist
2,002,244 A 5/1935 Kremper
2,367,318 A * 1/1945 Tulloch, Jr. E04D 1/265
52/541
2,482,835 A 9/1949 Bremer
3,347,001 A * 10/1967 Cosden E04D 3/363
52/522
4,035,536 A 7/1977 Morrison
4,203,268 A 5/1980 Gladden, Jr. et al.
4,551,084 A 11/1985 Lake
4,614,630 A 9/1986 Plium, Jr.

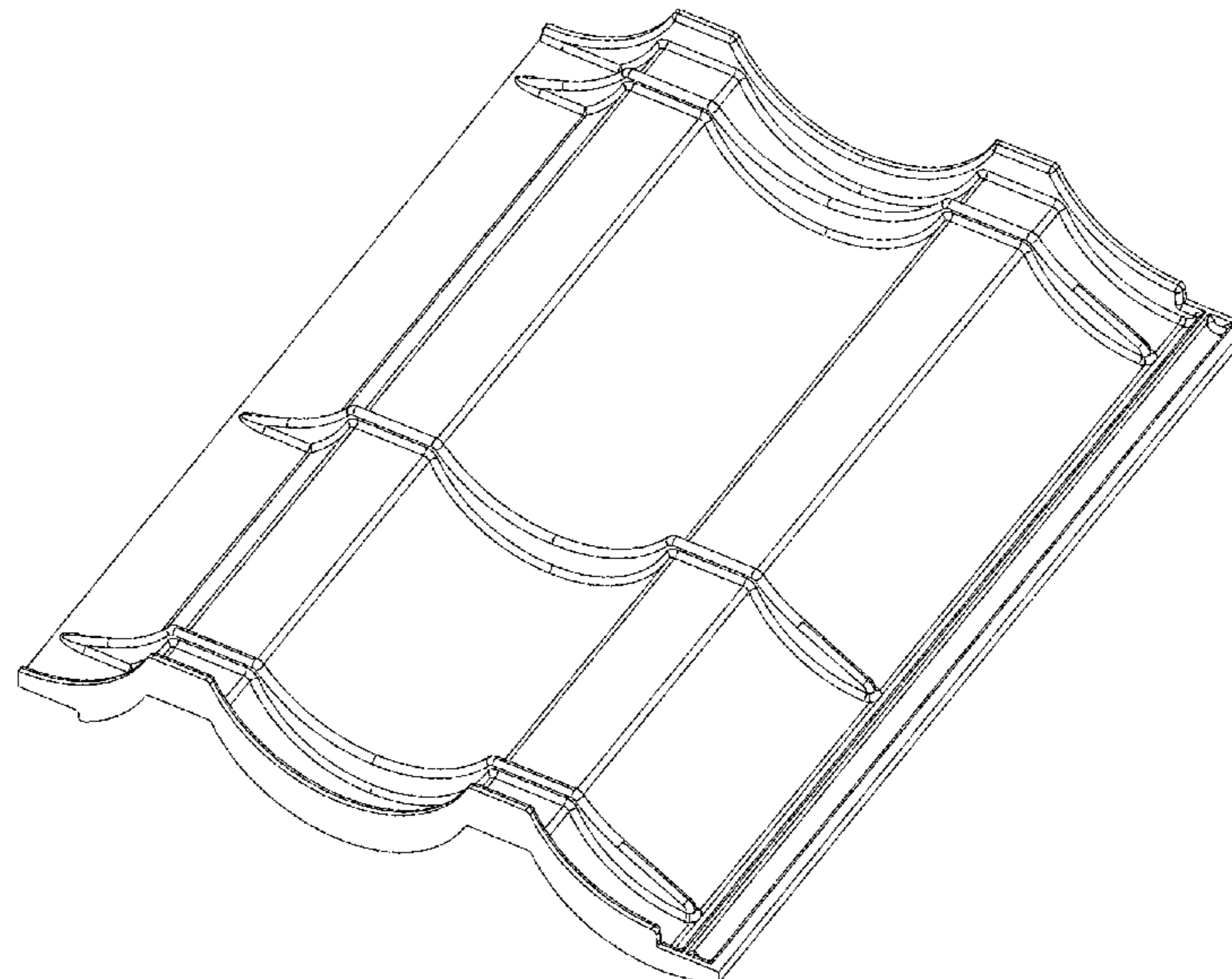
(57) **CLAIM**

The ornamental design for a roofing tile, as shown and described.

DESCRIPTION

FIG. 1 is a bottom isometric view of a roofing tile incorporating our new design;
FIG. 2 is a top isometric view of a roofing tile incorporating our new design;
FIG. 3 is a front plan view thereof;
FIG. 4 is a rear plan view thereof;
FIG. 5 is a left side elevation view thereof;
FIG. 6 is a right side elevation view thereof;
FIG. 7 is a bottom plan view thereof; and,
FIG. 8 is a top plan view thereof.

1 Claim, 6 Drawing Sheets



(56)

References Cited

U.S. PATENT DOCUMENTS

7,690,169	B2 *	4/2010	Saarenko	E04D 3/30 52/518
D633,223	S *	2/2011	Burman	D25/141
8,153,045	B2	4/2012	Boor	
8,709,322	B2	4/2014	Boor	
2004/0001938	A1	1/2004	Meyer et al.	
2005/0153103	A1	7/2005	Meyer et al.	
2006/0057919	A1	3/2006	Xing et al.	
2009/0000222	A1	1/2009	Kalkanoglu et al.	
2009/0308009	A1	12/2009	Boor	
2013/0263526	A1	10/2013	Thomas et al.	

* cited by examiner

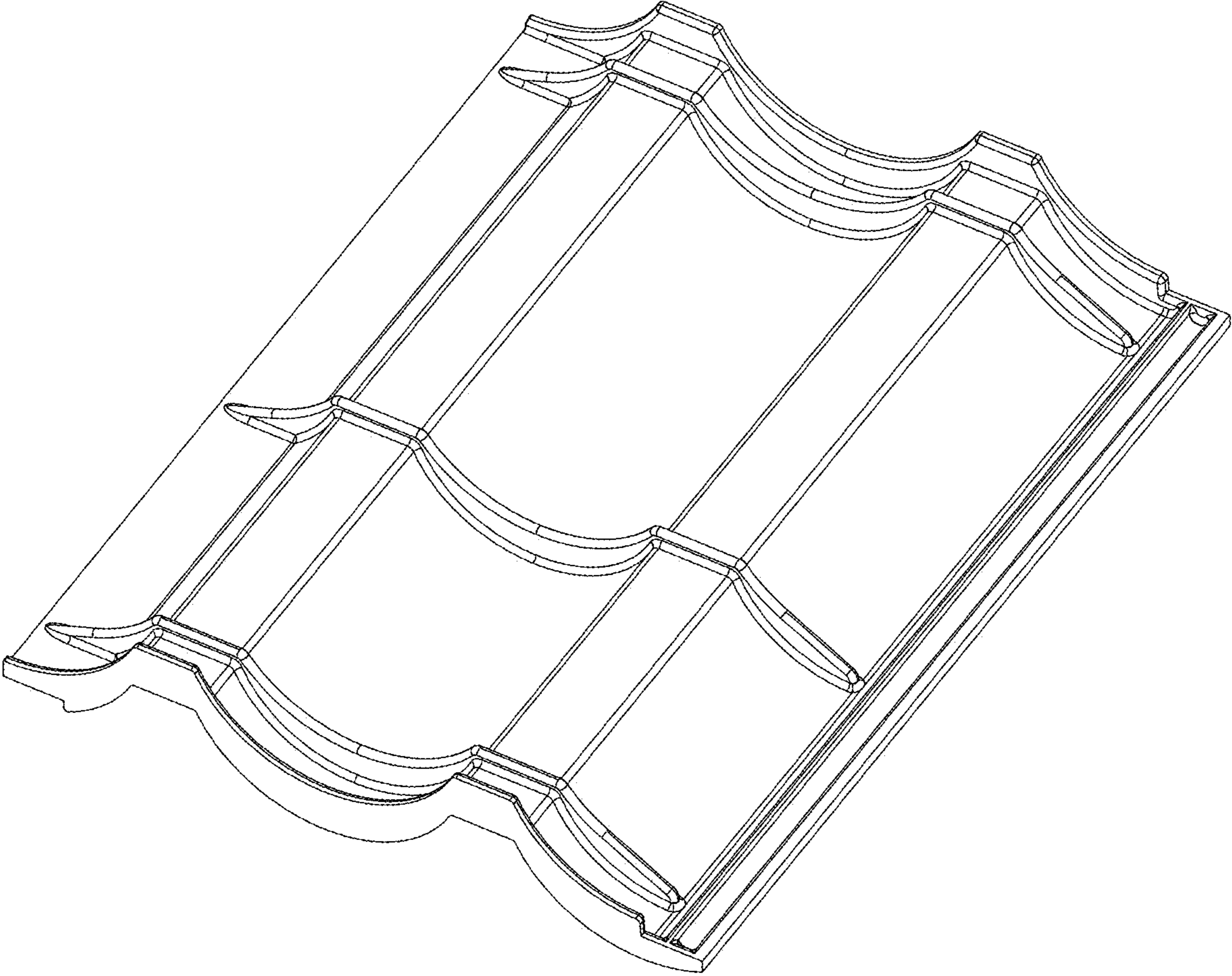


FIG. 1

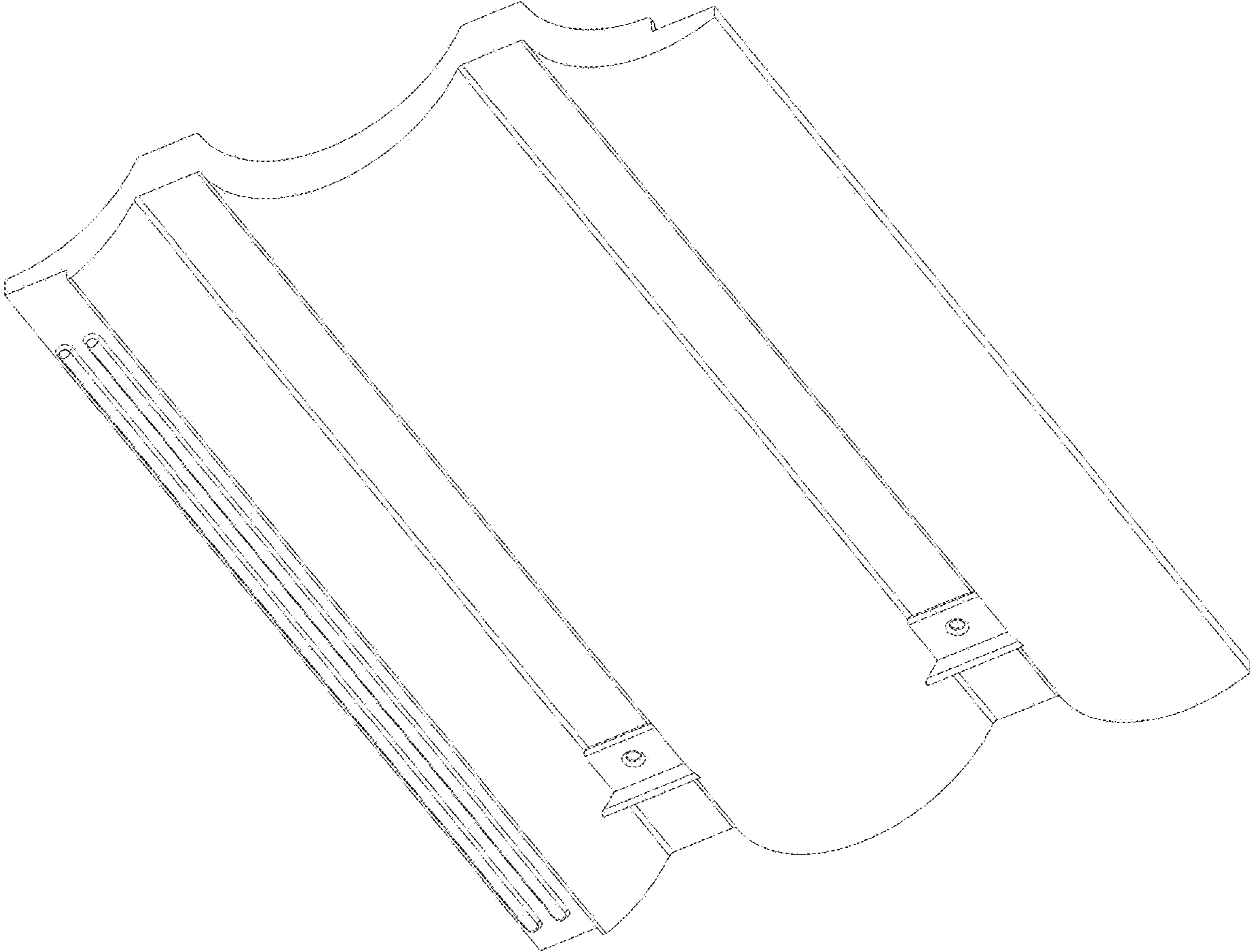


FIG. 2

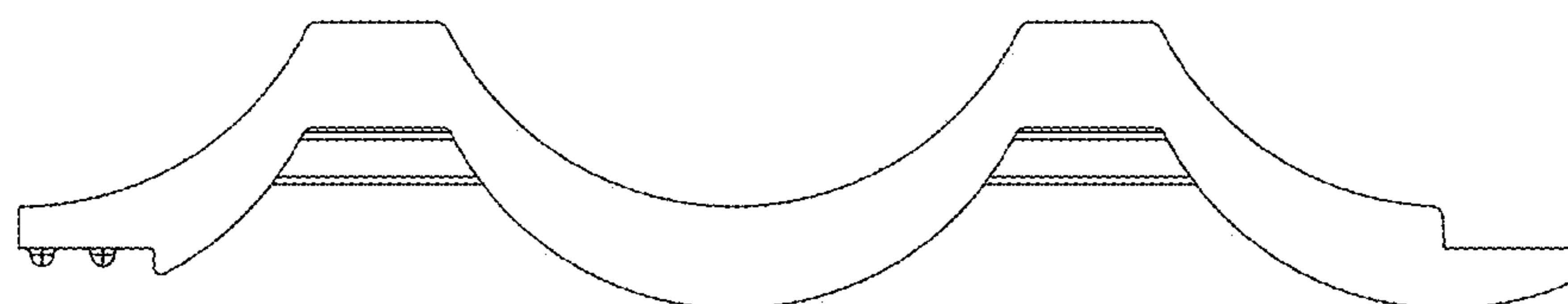


FIG. 3

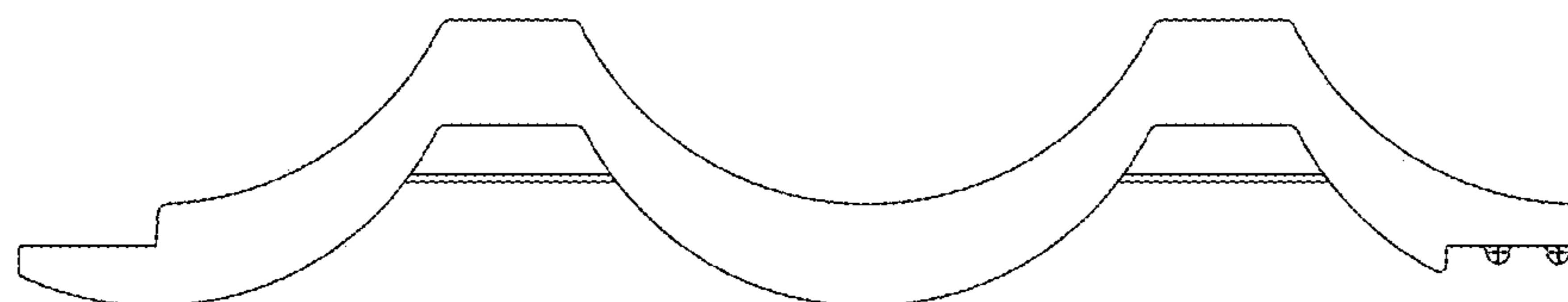


FIG. 4

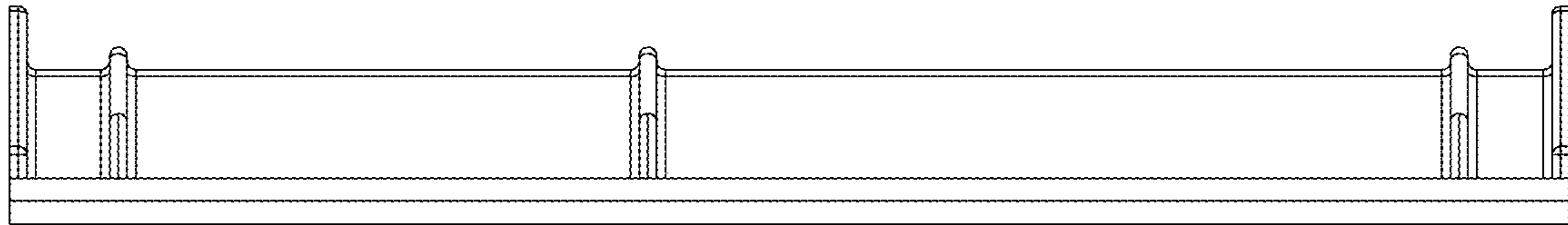


FIG. 5

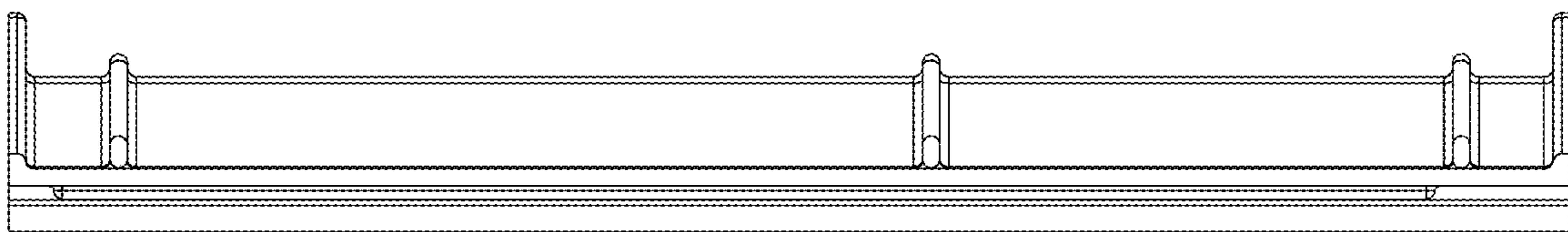


FIG. 6

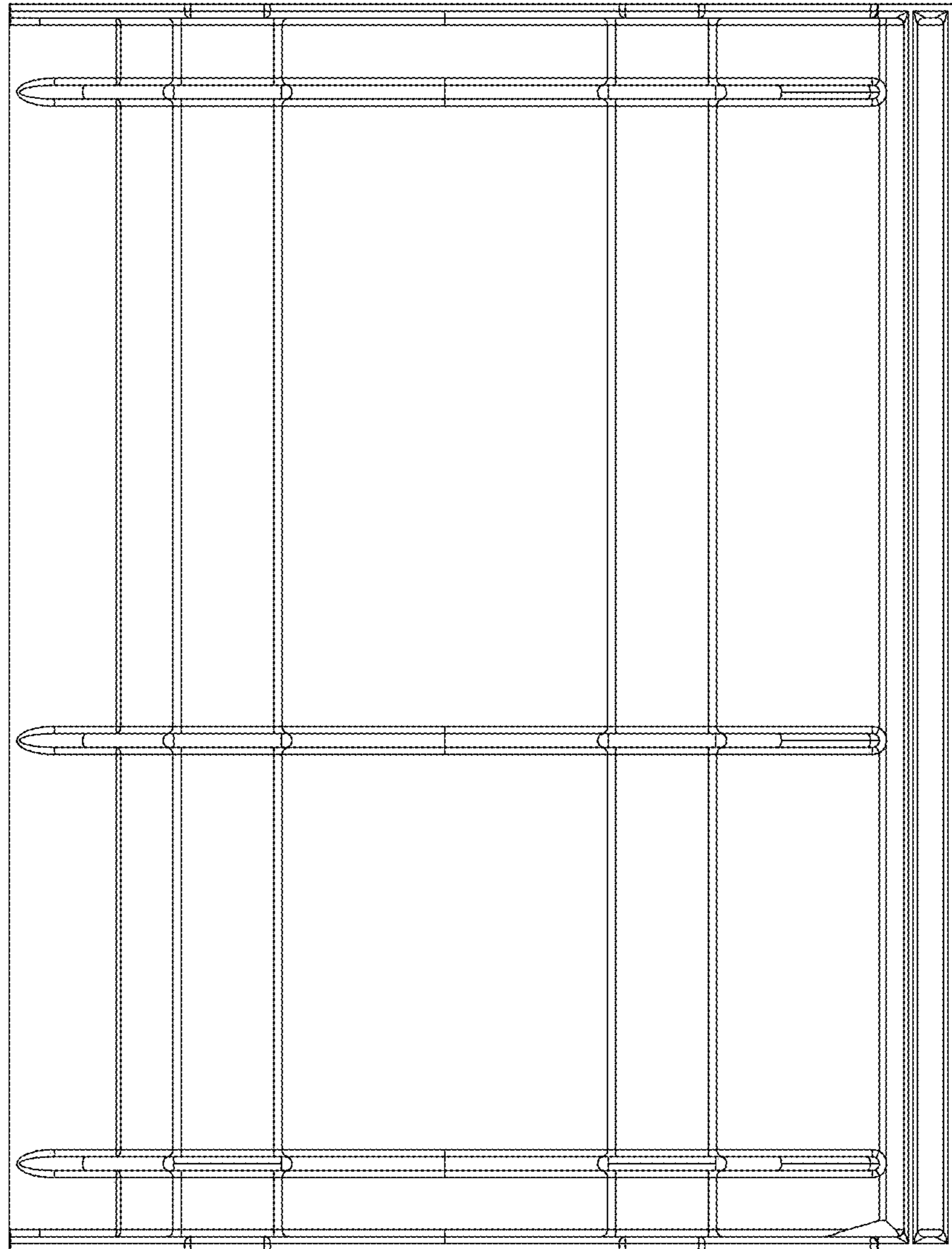


FIG. 7

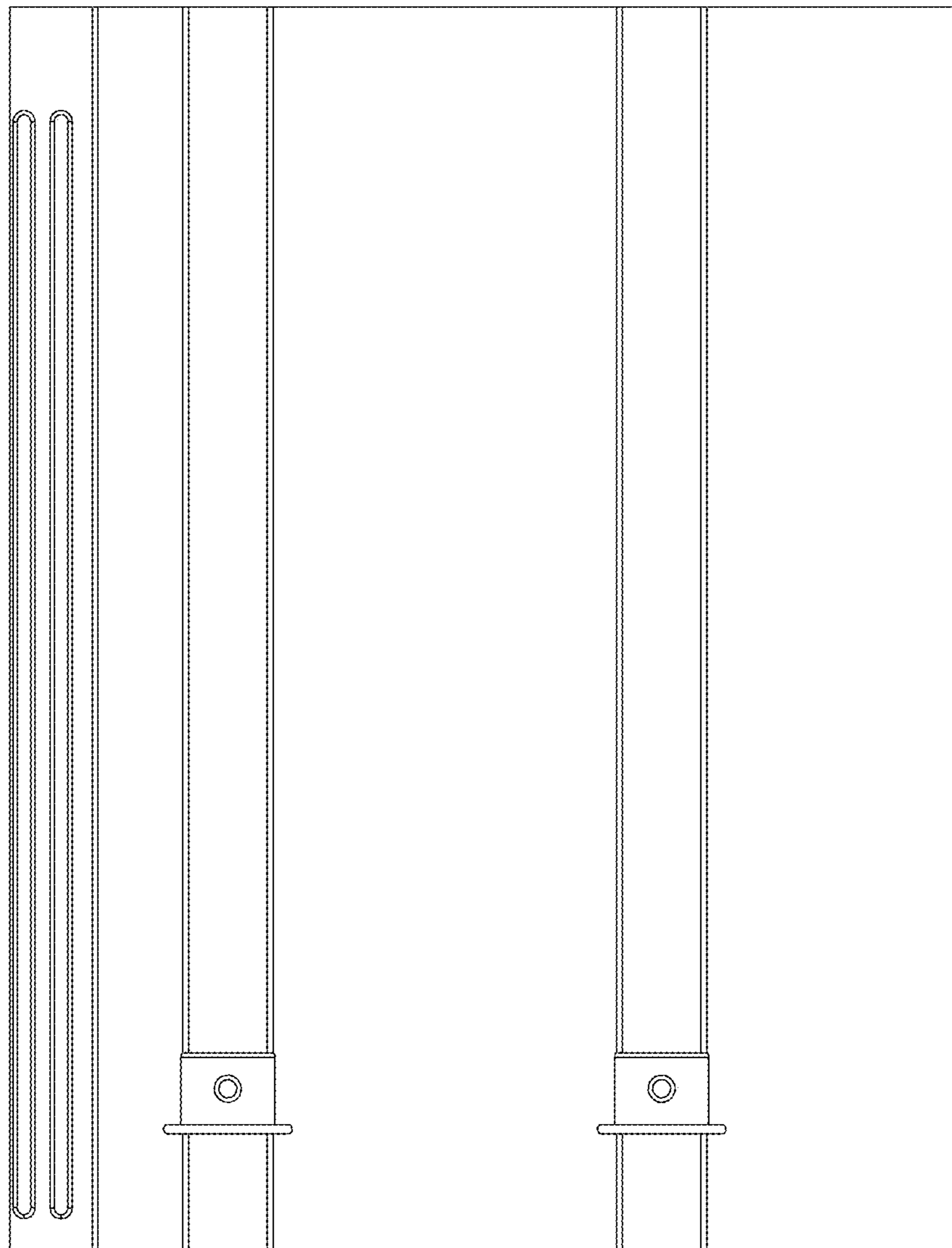


FIG. 8