



US00D973234S

(12) **United States Design Patent** (10) **Patent No.:** **US D973,234 S**
Zombek (45) **Date of Patent:** **** Dec. 20, 2022**

- (54) **ARCHITECTURAL METAL BUILDING PANEL**
- (71) Applicant: **NUCOR INSULATED PANEL GROUP LLC**, Wilmington, DE (US)
- (72) Inventor: **Thomas J. Zombek**, Canonsburg, PA (US)
- (73) Assignee: **NUCOR INSULATED PANEL GROUP LLC**, Wilmington, DE (US)
- (**) Term: **15 Years**
- (21) Appl. No.: **29/710,133**
- (22) Filed: **Oct. 21, 2019**

Related U.S. Application Data

- (62) Division of application No. 29/588,545, filed on Dec. 21, 2016, now Pat. No. Des. 866,801, which is a (Continued)
- (51) **LOC (13) Cl.** **25-01**
- (52) **U.S. Cl.**
USPC **D25/141**
- (58) **Field of Classification Search**
USPC D25/141, 38.1, 39, 119, 121, 125 (Continued)

References Cited

U.S. PATENT DOCUMENTS

- 308,826 A 12/1884 Butz
 - 520,371 A 5/1894 Mullins
- (Continued)

OTHER PUBLICATIONS

Atas International, Inc. v. Centria, Inter Partes Case IPR2013-00259 Re Patent D527834 S, Decision Denying Institution of Inter Partes Review, 37 C.F.R. § 42.108, Entered Sep. 24, 2013, 24 pgs.
(Continued)

Primary Examiner — Kimberly Barnes
(74) *Attorney, Agent, or Firm* — Moore & Van Allen PLLC; Jeffrey R. Gray

(57) **CLAIM**

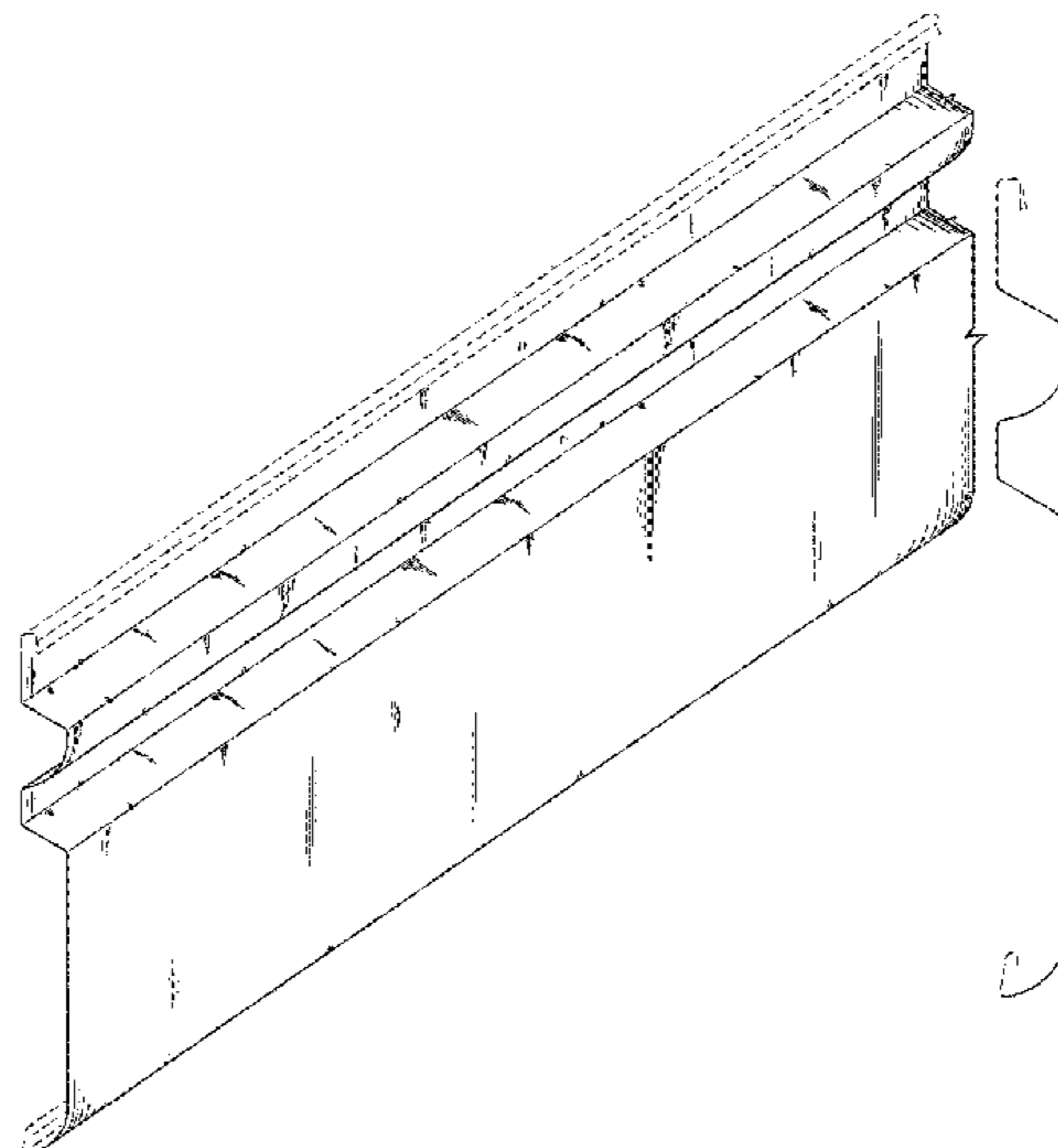
The ornamental design for an architectural metal building panel, as shown and described.

DESCRIPTION

FIG. 1 is an upper left front perspective view of an architectural metal building panel showing my new design in accordance with a first embodiment of the present invention; FIG. 2 is a left side view thereof; FIG. 3 is a front view thereof; FIG. 4 is an upper left front perspective view of an architectural metal building panel showing my new design in accordance with a second embodiment of the present invention; FIG. 5 is a left side view thereof; FIG. 6 is a front view thereof; FIG. 7 is an upper left front perspective view of an architectural metal building panel showing my new design in accordance with a third embodiment of the present invention; FIG. 8 is a left side view thereof; FIG. 9 is a front view thereof; FIG. 10 is an upper left front perspective view of an architectural metal building panel showing my new design in accordance with a fourth embodiment of the present invention; FIG. 11 is a left side view thereof; and, FIG. 12 is a front view thereof.

The evenly broken lines in FIGS. 1-12 depict portions of the architectural metal building panel that form no part of the claimed design. The right side views of the individual embodiments are not provided, as the right side view of each embodiment is a mirror image of the corresponding left side view. The architectural metal building panel is shown with a symbolic break in its length, the appearance of any portion of the architectural metal building panel extending beyond the symbolic break forms no part of the claimed design.

1 Claim, 8 Drawing Sheets



Related U.S. Application Data

division of application No. 29/494,091, filed on Jun. 17, 2014, now Pat. No. Des. 778,465, which is a division of application No. 29/434,163, filed on Oct. 10, 2012, now Pat. No. Des. 713,978.

(58) **Field of Classification Search**

CPC E04D 3/30; E04D 3/362; E04D 11/02; E04D 13/165; E04D 13/1643; E04B 1/6141; E04B 2/96; E04B 5/40; E04G 21/3261; E04G 23/0218; E04C 2/322; E04F 13/0864

See application file for complete search history.

(56) **References Cited**

U.S. PATENT DOCUMENTS

1,329,794	A	2/1920	Moomaw	
2,406,863	A	9/1946	Swann	
2,809,017	A	10/1957	Wong	
3,041,784	A	7/1962	Facer et al.	
3,218,772	A	11/1965	Martin	
3,305,994	A	2/1967	Amrhein et al.	
3,906,696	A *	9/1975	Poter	E04F 13/0876 52/536
4,178,731	A	12/1979	Petersson	
4,188,762	A	2/1980	Tellman	
D259,143	S	5/1981	Aktinson	
4,486,998	A	12/1984	Hague	
4,570,404	A	2/1986	Knudson	
4,651,493	A	3/1987	Carey	
5,465,543	A	11/1995	Seifert	
5,524,409	A	6/1996	Kaiser	
5,651,227	A	7/1997	Anderson	
5,752,355	A	5/1998	Sahramaa	
5,775,042	A	7/1998	Mowery et al.	
5,875,592	A	3/1999	Allman et al.	
5,911,663	A	6/1999	Eidson	
D421,137	S	2/2000	Marshall	
6,141,932	A	11/2000	Tarrant	
D449,120	S	10/2001	Kulik	
D479,751	S	9/2003	Schofield	
D497,434	S	10/2004	Brabeck	
6,823,799	B2	11/2004	Gleave	
D527,834	S	9/2006	Thimons et al.	
D538,948	S	3/2007	Thimons et al.	
7,186,457	B1	3/2007	Zehner et al.	
7,520,099	B2 *	4/2009	Pringle	E04F 13/0864 52/302.1
7,698,865	B2	4/2010	Pringle et al.	
7,856,790	B2	12/2010	Jambois et al.	
7,908,814	B2	3/2011	Wilson et al.	
7,954,292	B2	6/2011	Holt et al.	
7,984,597	B2	7/2011	Mollinger et al.	
8,029,913	B2	10/2011	Mann	
8,069,629	B2	12/2011	Rockwell et al.	
8,091,313	B2	1/2012	Wilson et al.	
D667,963	S	9/2012	Griffiths	
D668,353	S	10/2012	Griffiths	
D668,354	S	10/2012	Griffiths	
D668,356	S	10/2012	Griffiths	
D668,357	S	10/2012	Griffiths	
D677,401	S	3/2013	Griffiths	
D677,402	S	3/2013	Griffiths	
D677,403	S	3/2013	Griffiths	
D677,404	S	3/2013	Griffiths	
D679,834	S	4/2013	Griffiths	
D687,976	S	8/2013	Griffiths	
D687,977	S	8/2013	Griffiths	
D690,442	S	9/2013	Griffiths	
D690,838	S	10/2013	Griffiths	
D698,046	S	1/2014	Griffiths	

8,621,810	B2	1/2014	Manser et al.	
D698,944	S	2/2014	Griffiths	
D698,946	S	2/2014	Griffiths	
D698,947	S	2/2014	Griffiths	
D700,364	S	2/2014	Griffiths	
D700,365	S	2/2014	Griffiths	
D700,366	S	2/2014	Griffiths	
D704,862	S	5/2014	Boccuzzi et al.	
8,756,892	B2 *	6/2014	Wilson	E04F 13/007 52/519
D713,978	S	9/2014	Zombek	
D732,701	S	6/2015	Griffiths	
D733,328	S	6/2015	Griffiths	
D733,329	S	6/2015	Griffiths	
D734,501	S	7/2015	Bodwell et al.	
D734,502	S	7/2015	Bodwell et al.	
D735,355	S	7/2015	Bodwell et al.	
9,091,078	B2	7/2015	Desch	
D736,953	S	8/2015	Griffiths	
D736,962	S	8/2015	Bodwell et al.	
D750,278	S	2/2016	Bodwell et al.	
D778,465	S	2/2017	Zombek	
D864,424	S *	10/2019	Filiba	D25/153
D866,801	S *	11/2019	Zombek	D25/141
D868,296	S	11/2019	Zombek	
D923,824	S *	6/2021	Zombek	D25/141
11,072,930	B2 *	7/2021	Colyn	E04F 13/0864
2004/0003566	A1	1/2004	Sicuranza	
2005/0193674	A1	9/2005	Hatkoff	
2010/0205883	A1	8/2010	Carson	
2017/0089077	A1	3/2017	Olvey et al.	
2021/0222865	A1 *	7/2021	Beck	F21S 4/28

OTHER PUBLICATIONS

Atas, Inc., BKR 160 Panel, 2002, 3 pages.
 Atas, Inc., MPH 080 Panel, 2000, 6 pages.
 Atas, Inc., MPS 120 Panel, 2000, 6 pages.
 Cascade—Centria (online), no date available. Retrieved from Internet Apr. 13, 2018, URL: <https://www.centria.com/products/rainscreens/concealed-fastener-panels/cascade-metal-panels> (6 pages).
 Cascade Centria (on-line), no date available. Retrieved from Internet Jan. 29, 2019, URL: <https://www.centria.com/products/rainscreens/concealed-fastener-panels/cascade-metal-panels/cc620> (3 pages).
 Cascade Horizontal/Vertical Metal Panels CC-662 Centria (online), dated Aug. 4, 2016. Retrieved from Internet 34/13/2018, URL: <https://bimobject.com/en-us/centria/product/centria-662> (2 pages).
 Cascade Metal Panel System—YouTube (online), dated Oct. 21, 2013. Retrieved from Internet Apr. 13, 2018, URL: <https://www.youtube.com/watch?v=XG4nRBSLuhg> (1 page).
 Centria, FWDS 59 Panel, 2002, 4 pages.
 Centria, IW 60A Panel, 1996, 2 pages.
 Commercial & Industrial Metal Wall Systems, Robertson Product Brochure, 1994, 16 pages.
 Firestone Building Products Delta CFP-162C (on-line), dated Apr. 26, 2013. Retrieved from Internet Sep. 30, 2016, URL: <https://web.archive.org/web/20130426150101/http://firestonebpc.com/wall/profile-panels/concealed-fastener-panels/delta-cfp-162c/> (2 pages).
 Pacific Erectors Centria Concept Series Wall Panel Systems (on-line), dated Sep. 1, 2015. Retrieved from Internet 39/30/2016, URL: <https://web.archive.org/web/20150901124618/http://www.pacificerectors.com/centria-concept-series-metal-wall-panels/> (2 pages).
 Parkpanel Metal Cladding (on-line), dated Jul. 6, 2012. Retrieved from Internet Sep. 30, 2016. URL: http://parkpanels.en.3c21.com/Metal_Cladding-6856293.html (2 pages).
 Design U.S. Appl. No. 29/588,545, Non-Final Office Action, dated Sep. 20, 2018, 6 pgs.
 Design U.S. Appl. No. 29/654,492, Non-Final Office Action, dated Feb. 11, 2019, 6 pgs.

* cited by examiner

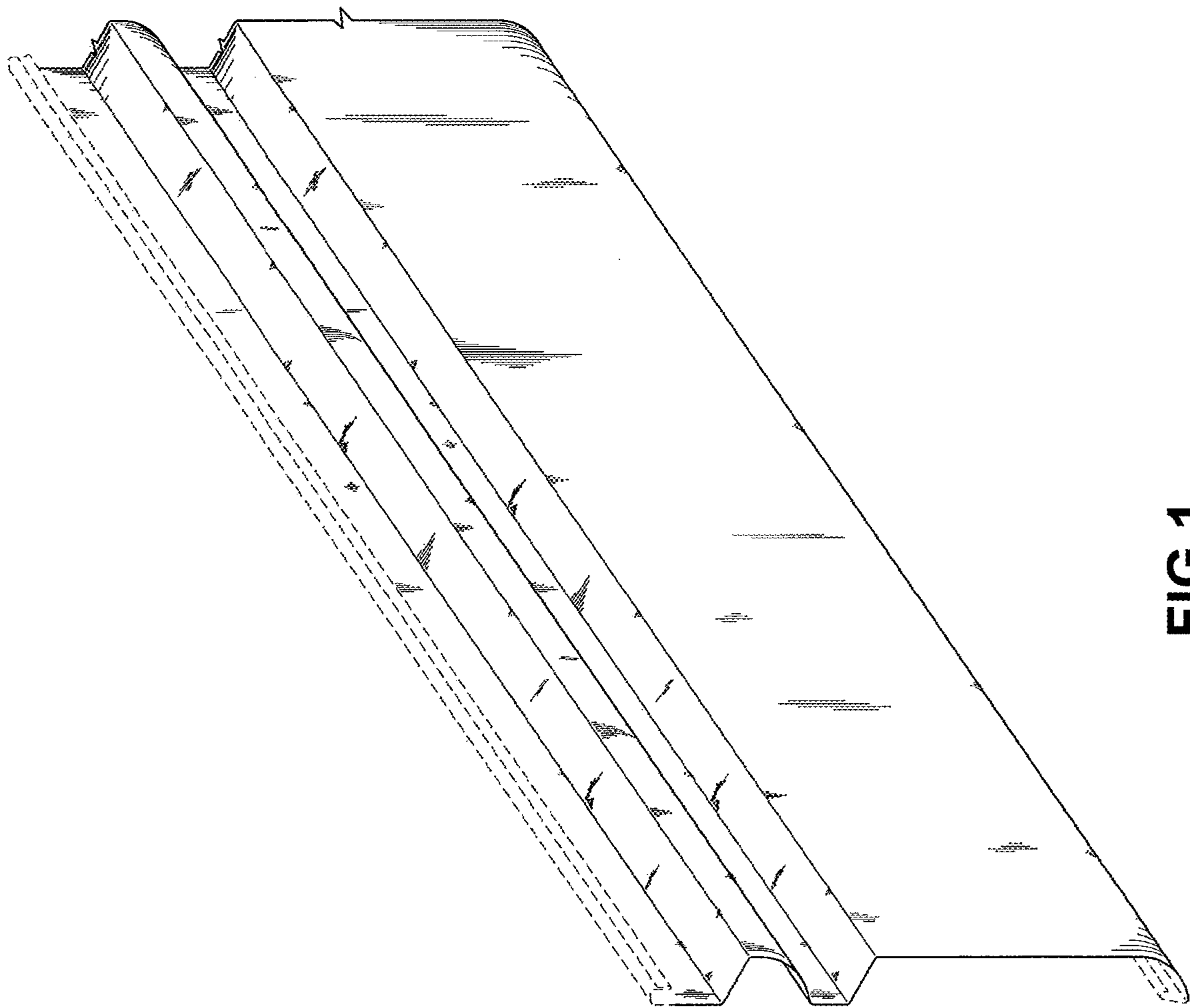


FIG 1

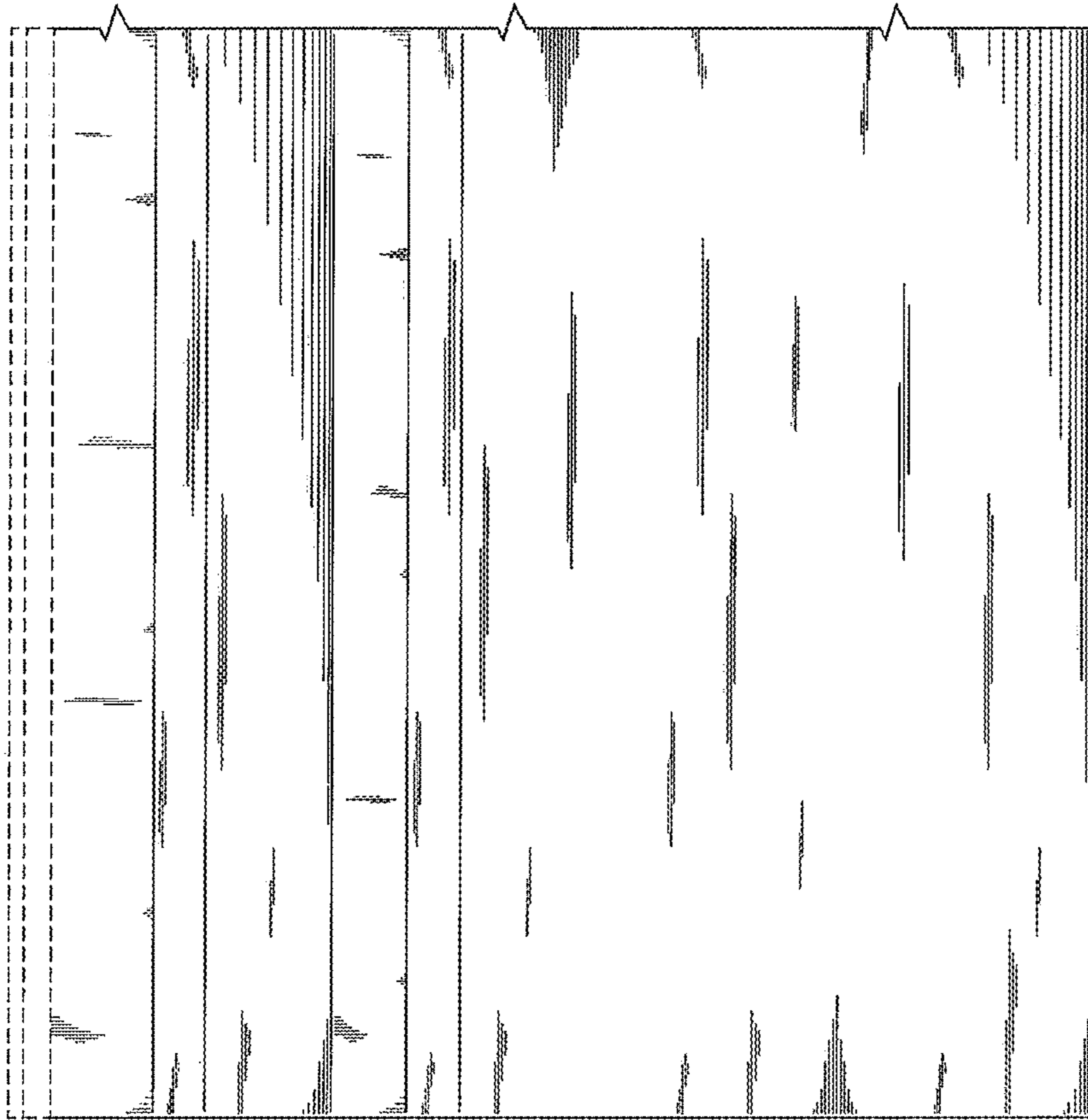


FIG 3



FIG 2

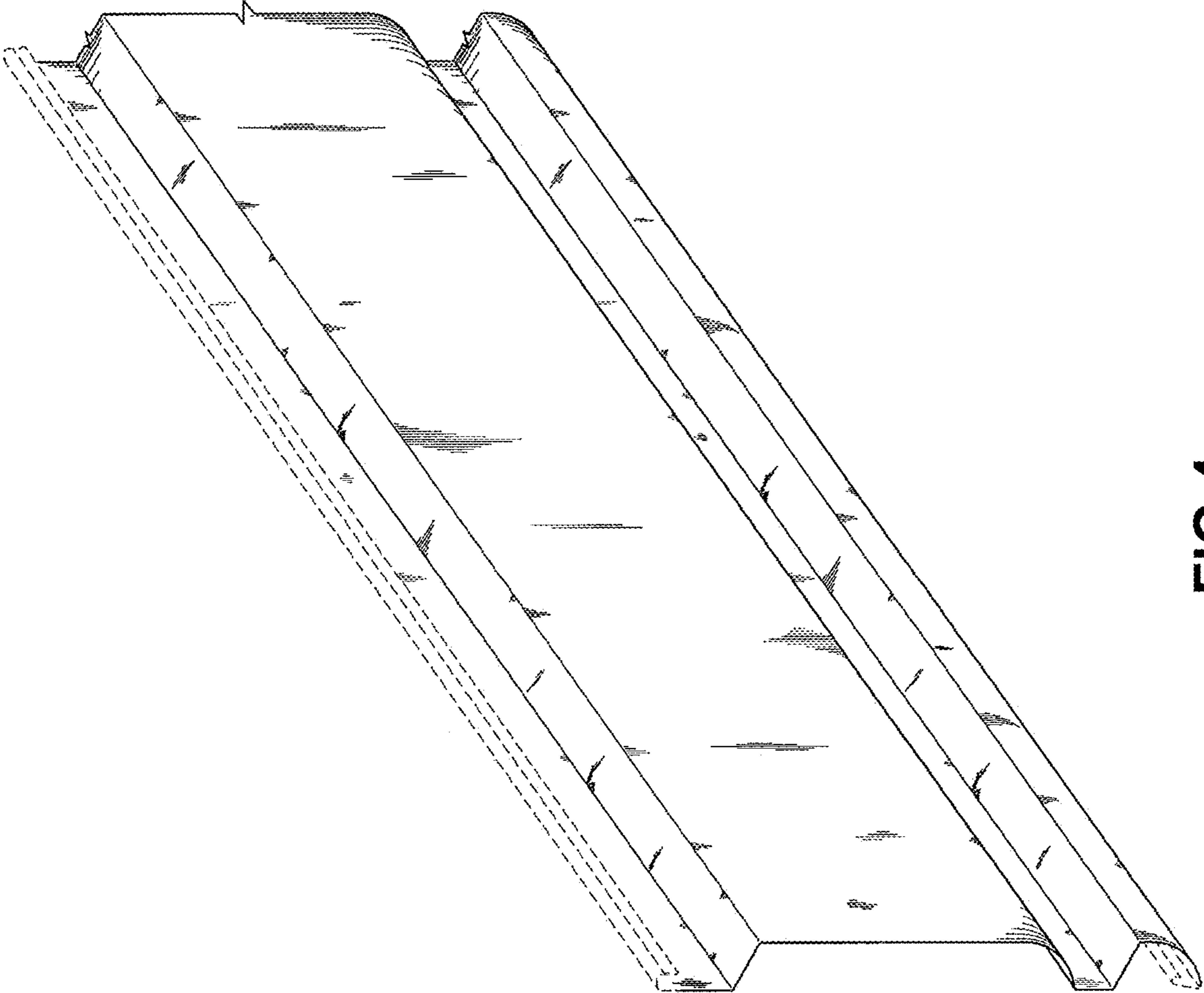


FIG 4

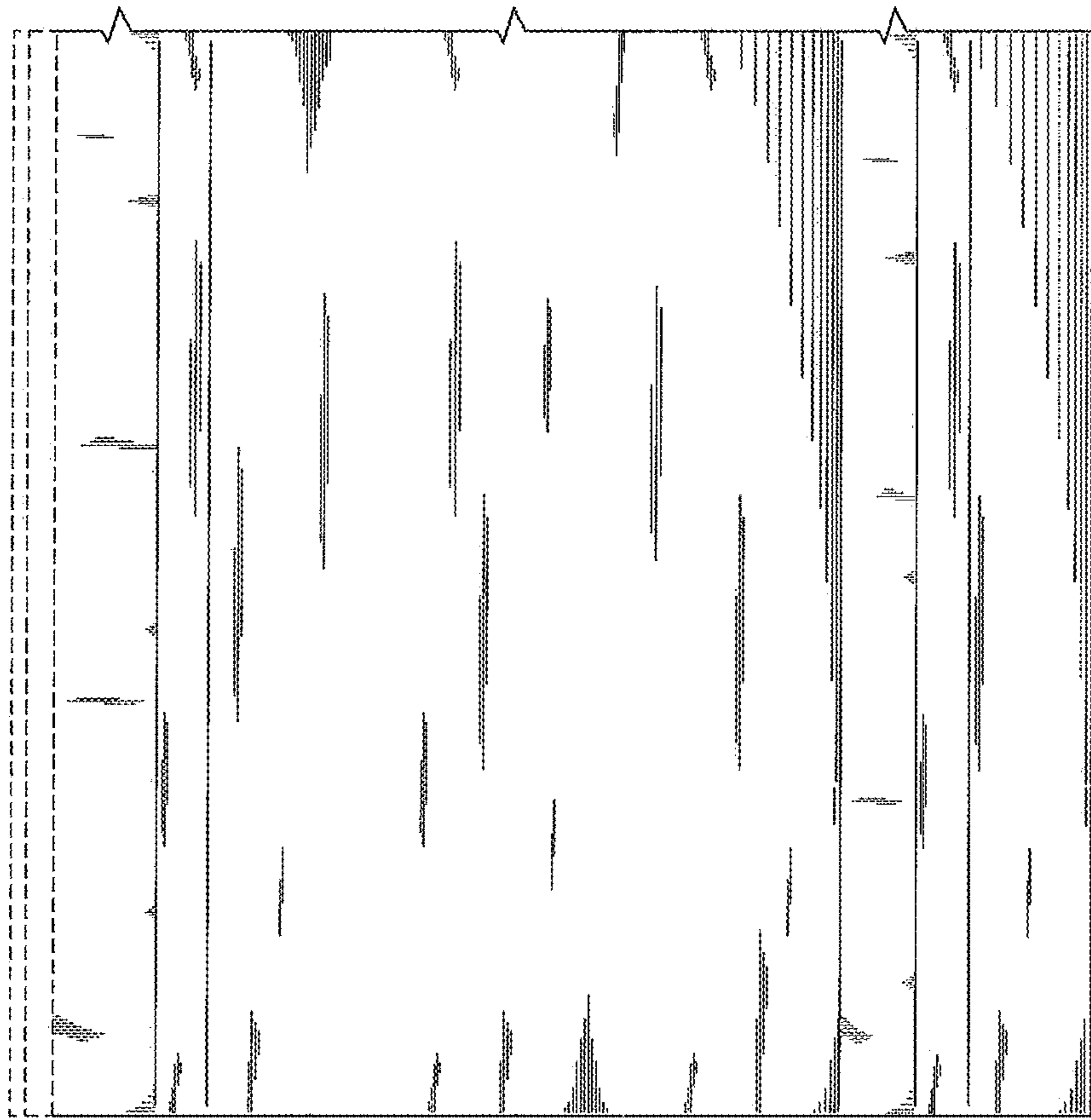


FIG 6



FIG 5

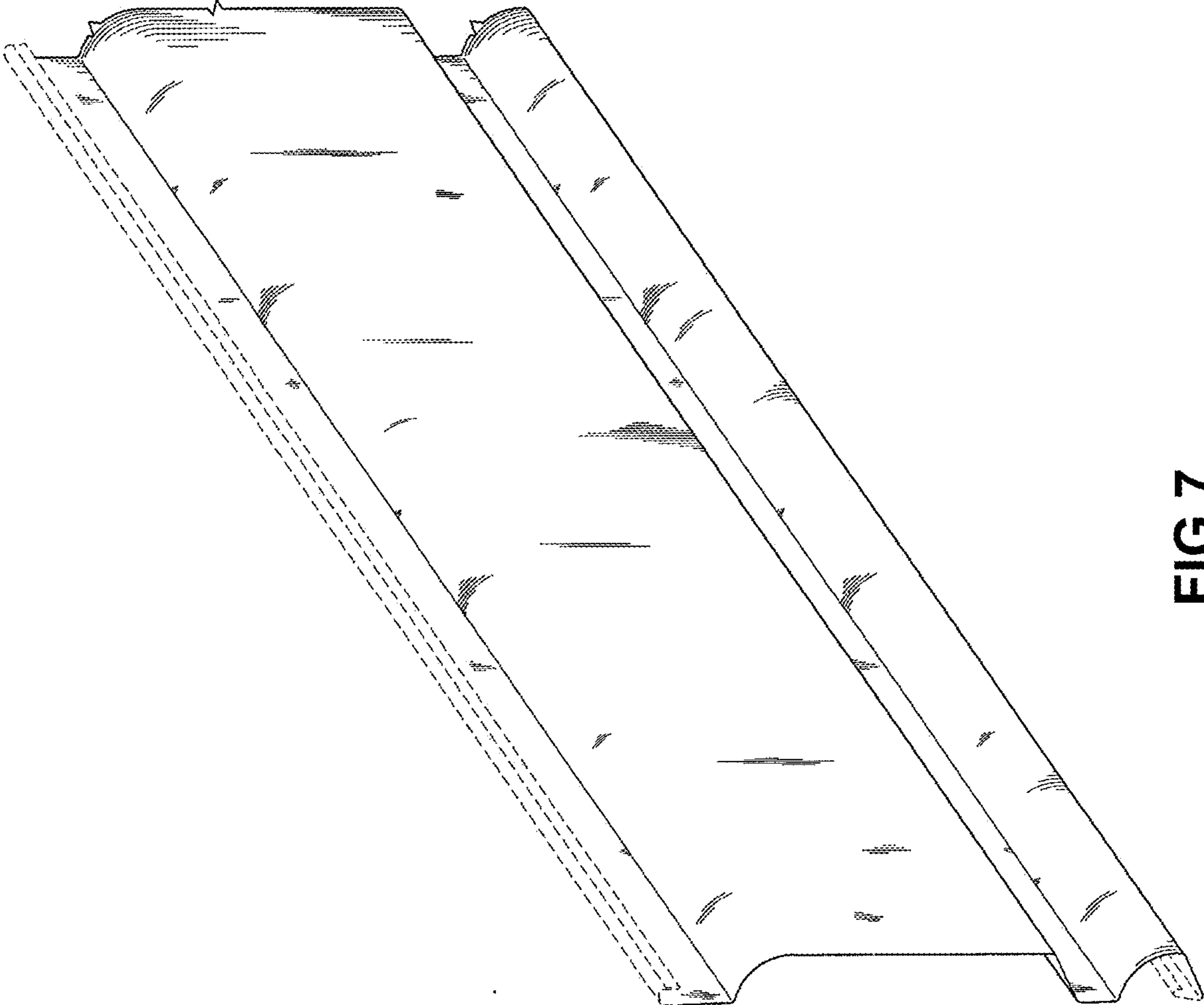


FIG 7

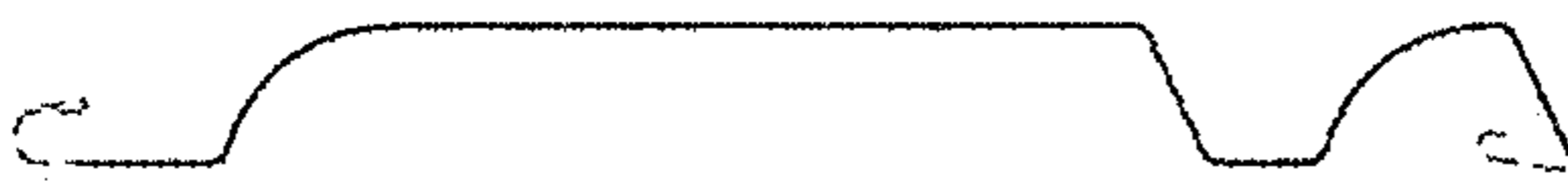


FIG 8

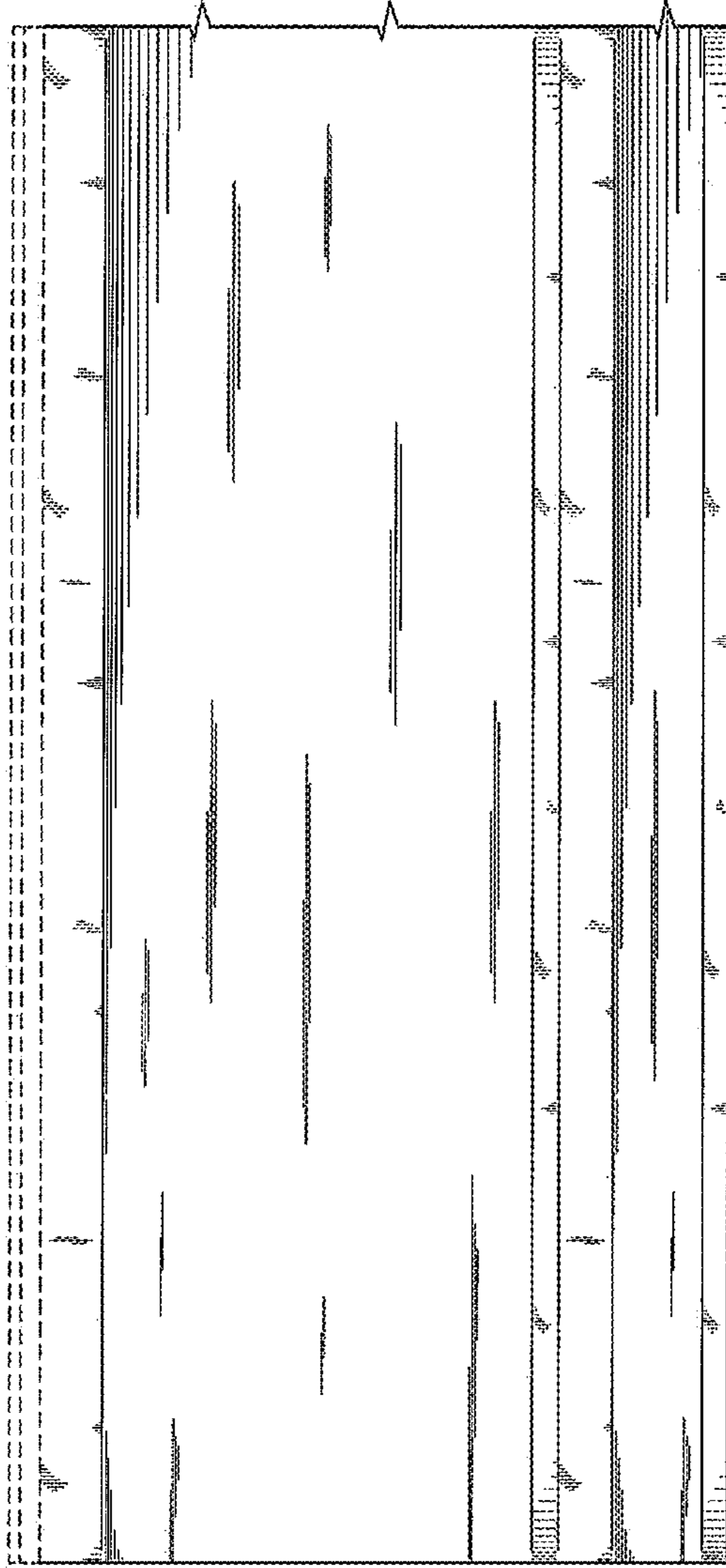


FIG 9

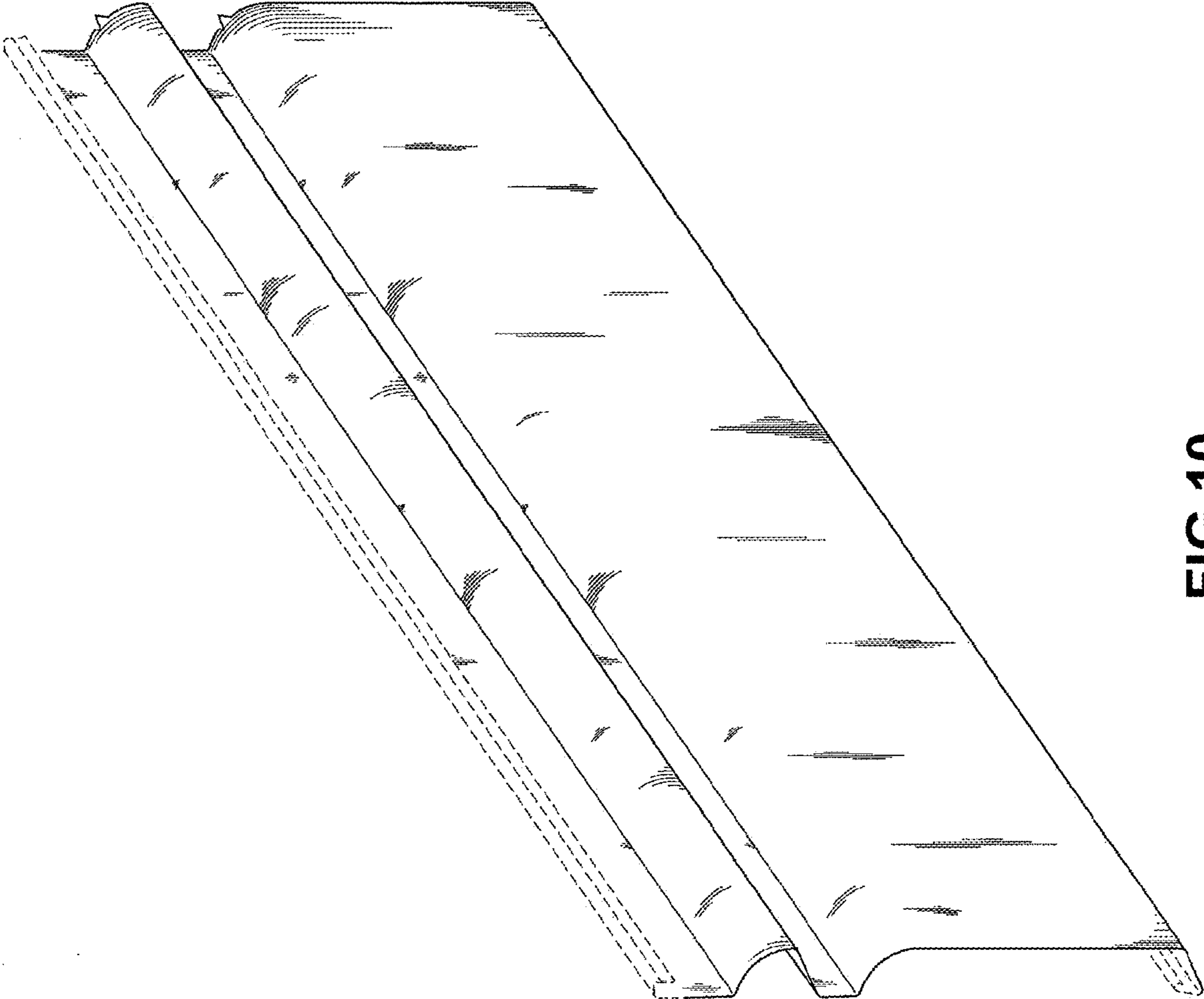


FIG 10

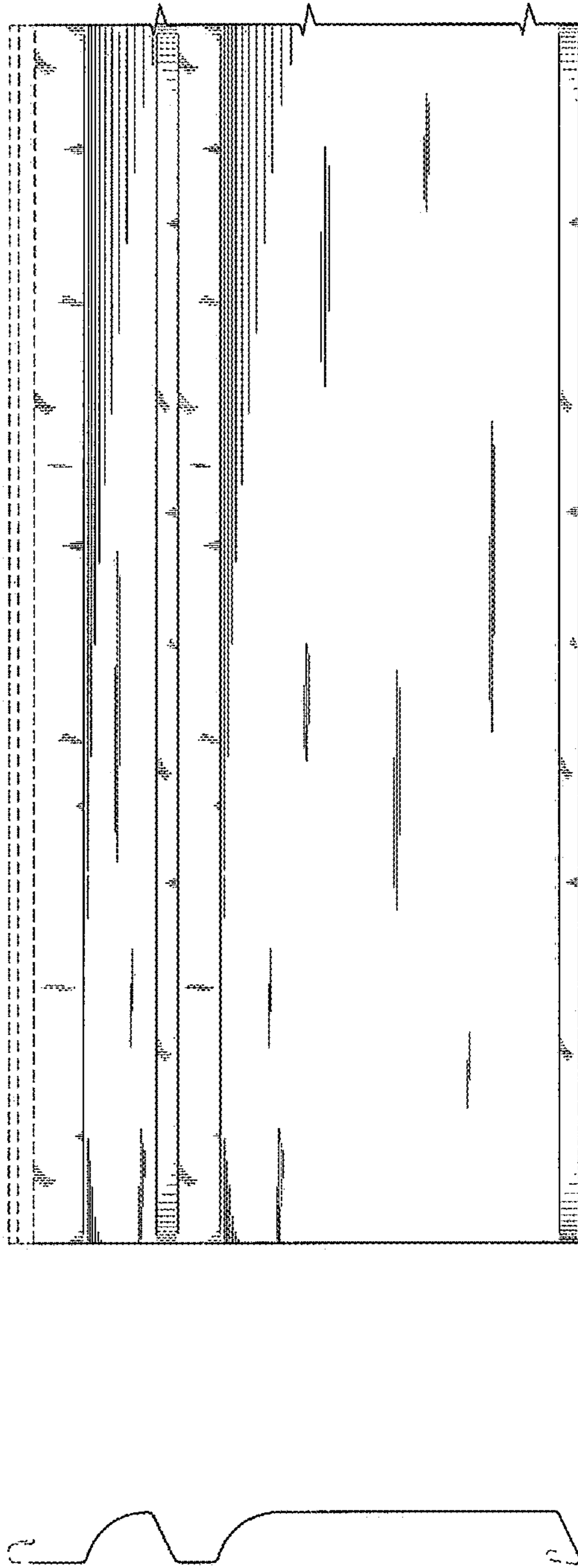


FIG 12

FIG 11