



US00D973232S

(12) **United States Design Patent** (10) **Patent No.:** **US D973,232 S**
He et al. (45) **Date of Patent:** **** *Dec. 20, 2022**

(54) **MULTIFUNCTION SAWHORSE**

(71) Applicant: **JINHUA YAHU TOOLS CO., LTD.**,
Jinhua (CN)

(72) Inventors: **Zhanfeng He**, Jinhua (CN); **Rongmin Wang**, Jinhua (CN); **Bao Li**, Jinhua (CN); **Yanpeng Jing**, Jinhua (CN); **Yongping Huang**, Jinhua (CN); **Peng Pan**, Jinhua (CN); **Xiangjun Qiu**, Jinhua (CN)

(73) Assignee: **JINHUA YAHU TOOLS CO., LTD.**,
Jinhua (CN)

(*) Notice: This patent is subject to a terminal disclaimer.

(**) Term: **15 Years**

(21) Appl. No.: **29/689,192**

(22) Filed: **Apr. 28, 2019**

(30) **Foreign Application Priority Data**

Mar. 2, 2019 (CN) 201930084319.0

(51) **LOC (13) Cl.** **25-04**

(52) **U.S. Cl.**
USPC **D25/67**

(58) **Field of Classification Search**
USPC D25/67, 68; 182/153, 155, 186.2
CPC ... B25H 1/06; B25H 1/04; B25H 1/16; B25H 1/14; B25H 1/08; B25H 1/00; B25H 1/0042; B25H 1/10; B25H 5/00; B27B 17/0075

See application file for complete search history.

(56) **References Cited**

U.S. PATENT DOCUMENTS

D872,877 S * 1/2020 Hanlon D25/67
D882,824 S * 4/2020 Hanlon D25/67
D899,629 S * 10/2020 Hanlon D25/67
10,864,625 B2 * 12/2020 Hanlon B25H 1/06

* cited by examiner

Primary Examiner — Gino Colan
(74) *Attorney, Agent, or Firm* — Bayramoglu Law Offices LLC

(57) **CLAIM**

The ornamental design for a multifunction sawhorse, as shown and described.

DESCRIPTION

FIG. 1 is a front elevation view of a multifunction sawhorse showing our new design.
FIG. 2 is a rear elevation view thereof.
FIG. 3 is a left side elevation view thereof.
FIG. 4 is a right side elevation view thereof.
FIG. 5 is a top plan view thereof.
FIG. 6 is a bottom plan view thereof.
FIG. 7 is a perspective view thereof.
FIG. 8 is another perspective view thereof.
FIG. 9 shows the rear elevation view with an indication of an enlargement area A.
FIG. 10 shows an enlarged view of the area A indicated in FIG. 9.
FIG. 11 shows the bottom plan view with an indication of an enlargement area B; and,
FIG. 12 shows an enlarged view of the area B indicated in FIG. 11.

The broken lines are for the purpose of illustrating portions of the multifunction sawhorse that form no part of the claimed design.

1 Claim, 12 Drawing Sheets



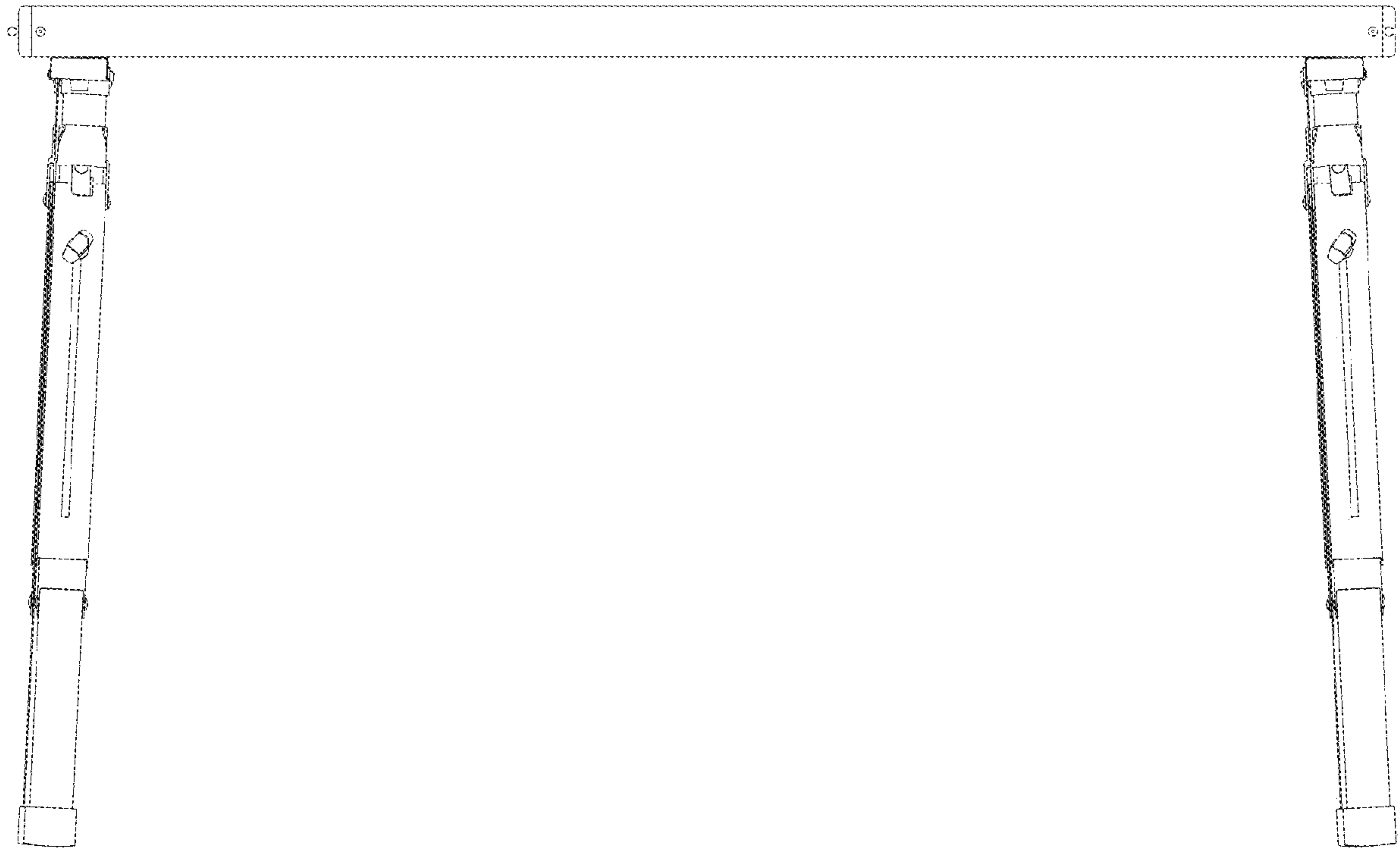


FIG. 1

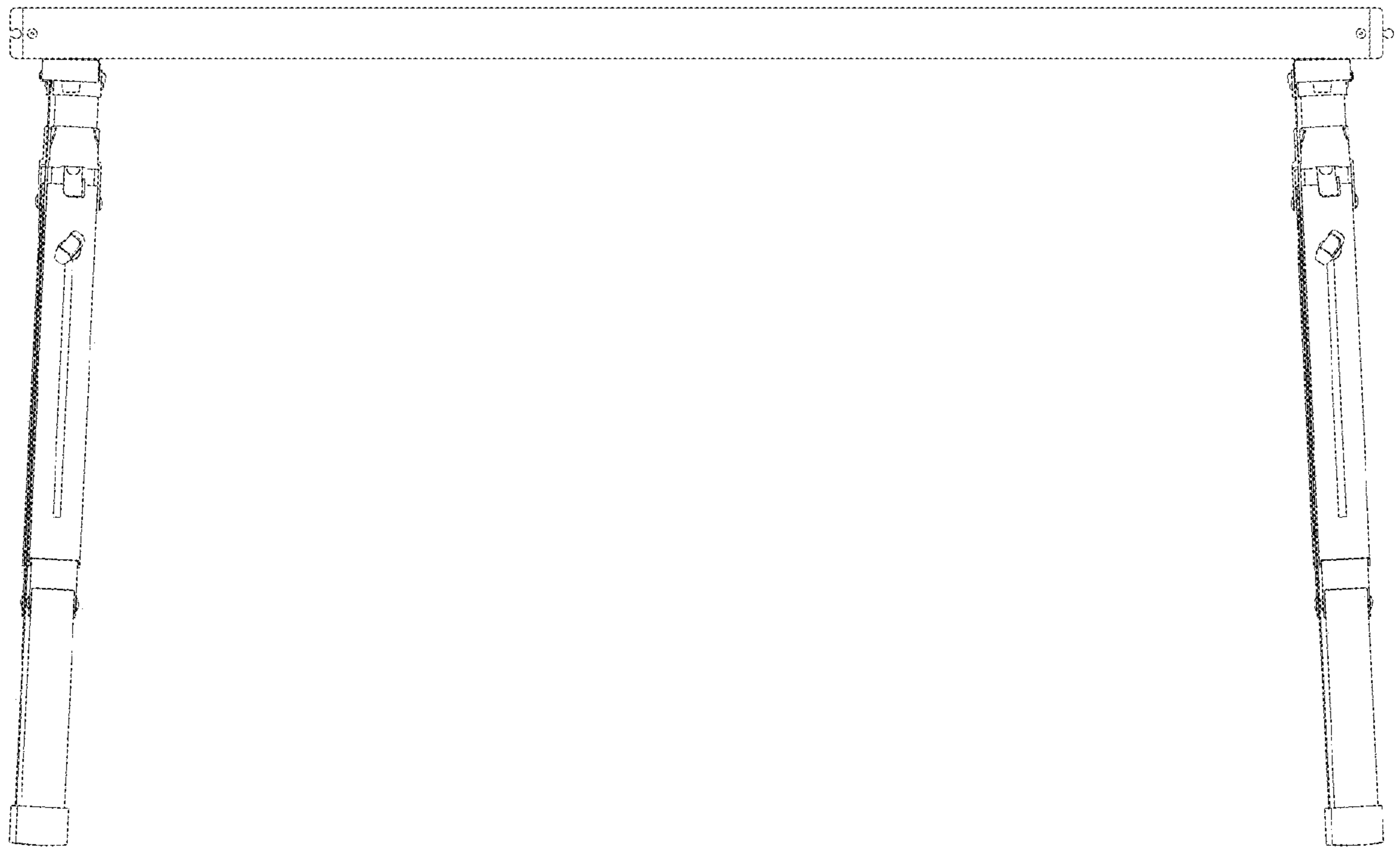


FIG. 2

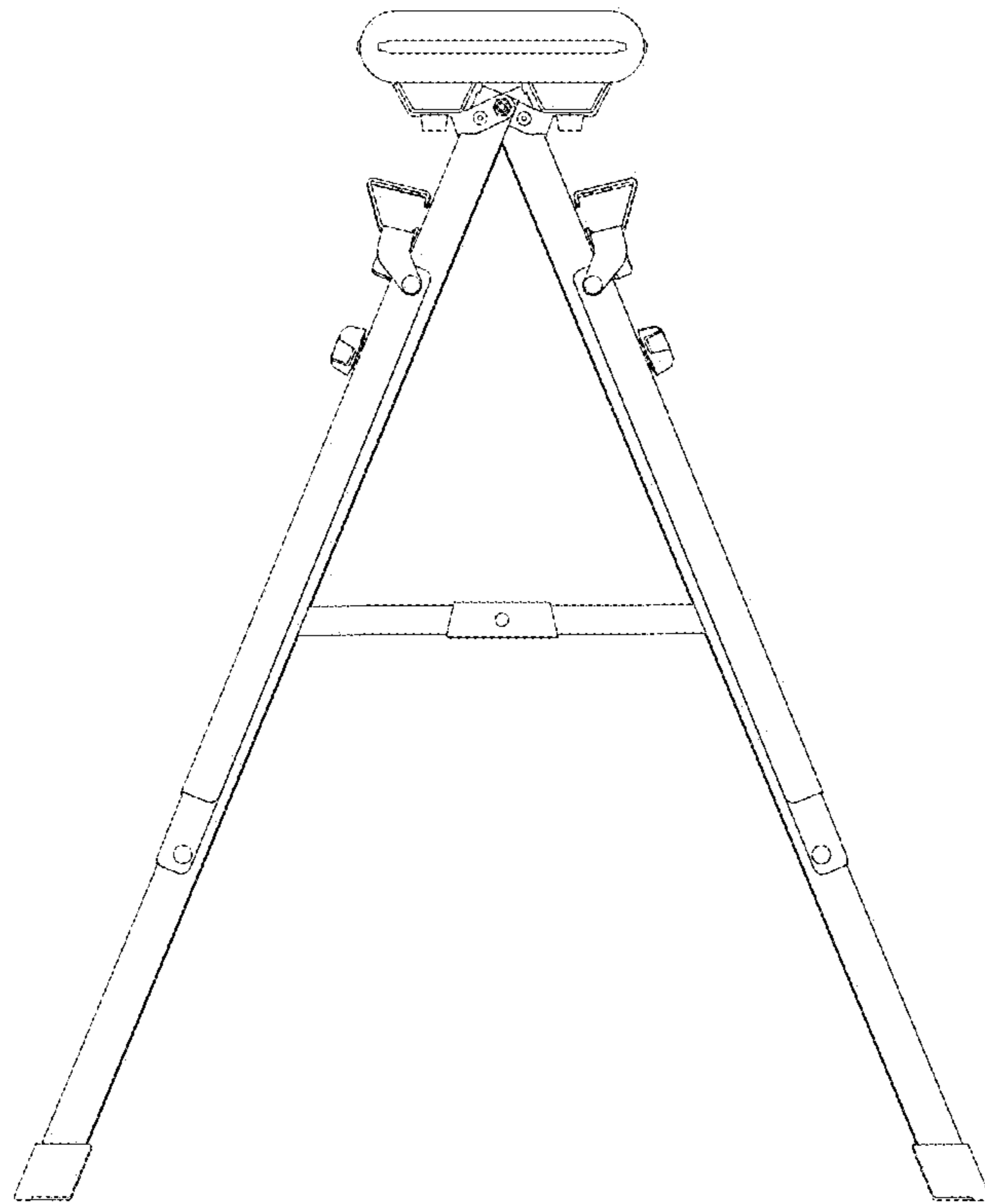


FIG. 3

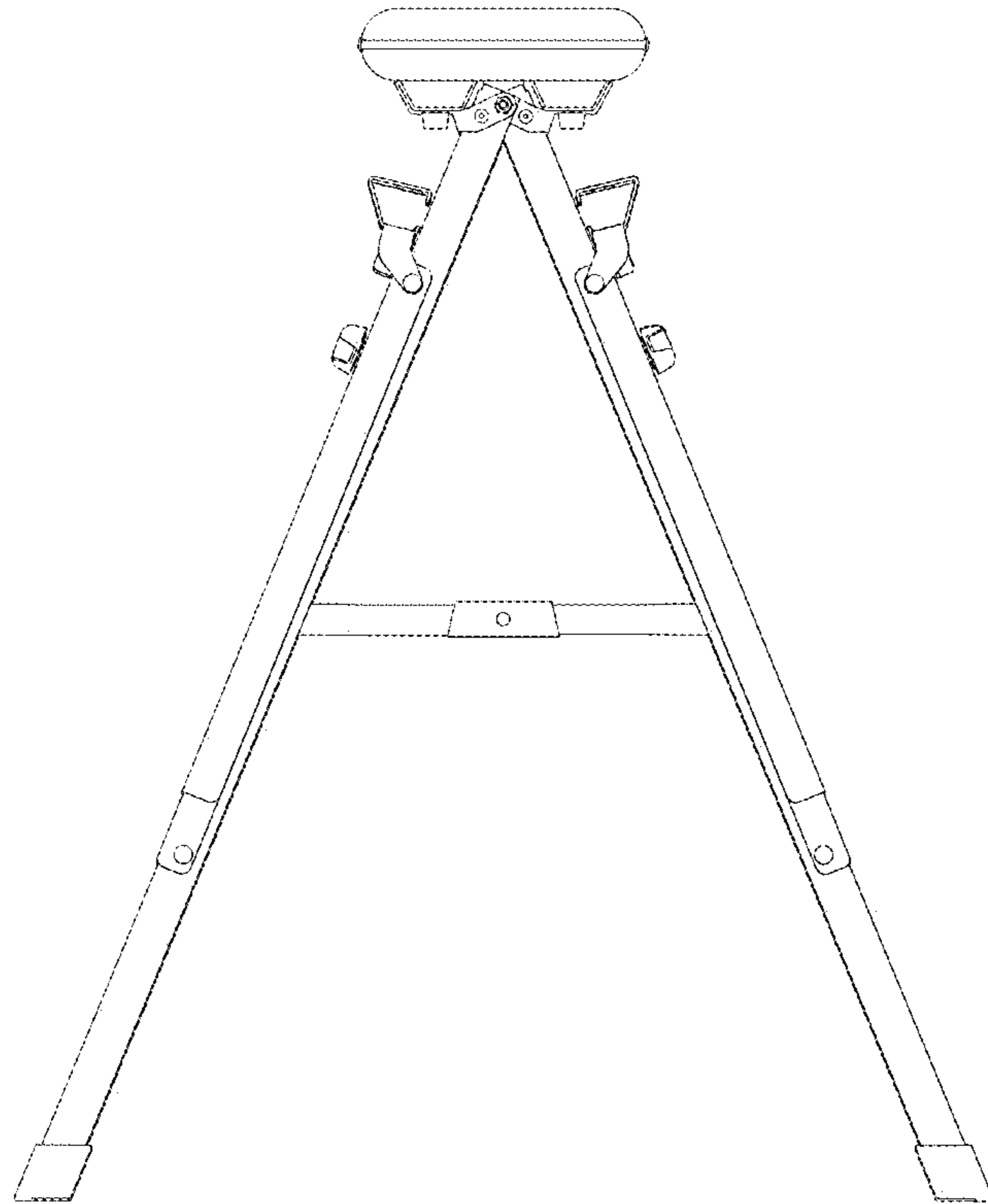


FIG. 4

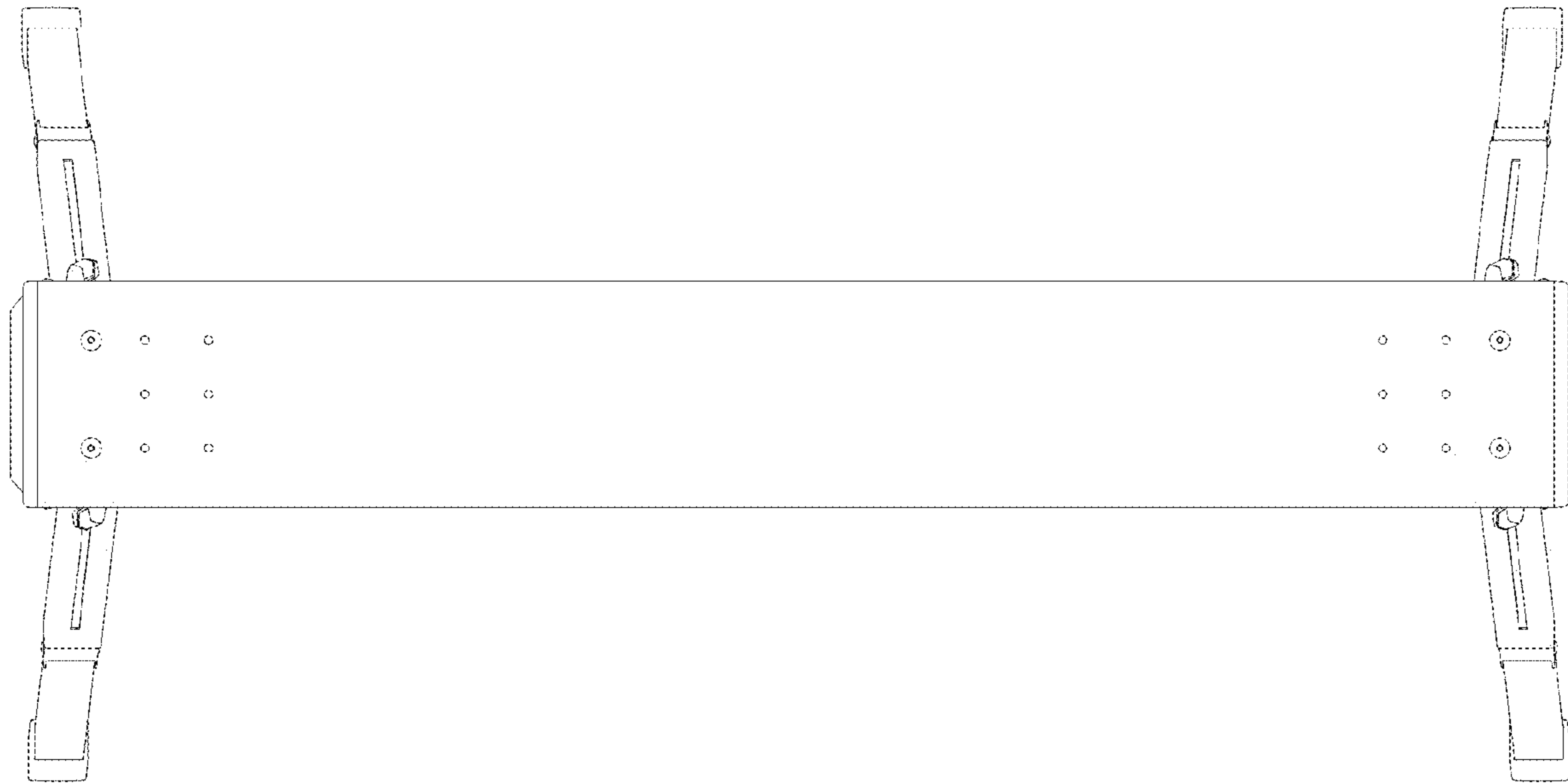


FIG. 5

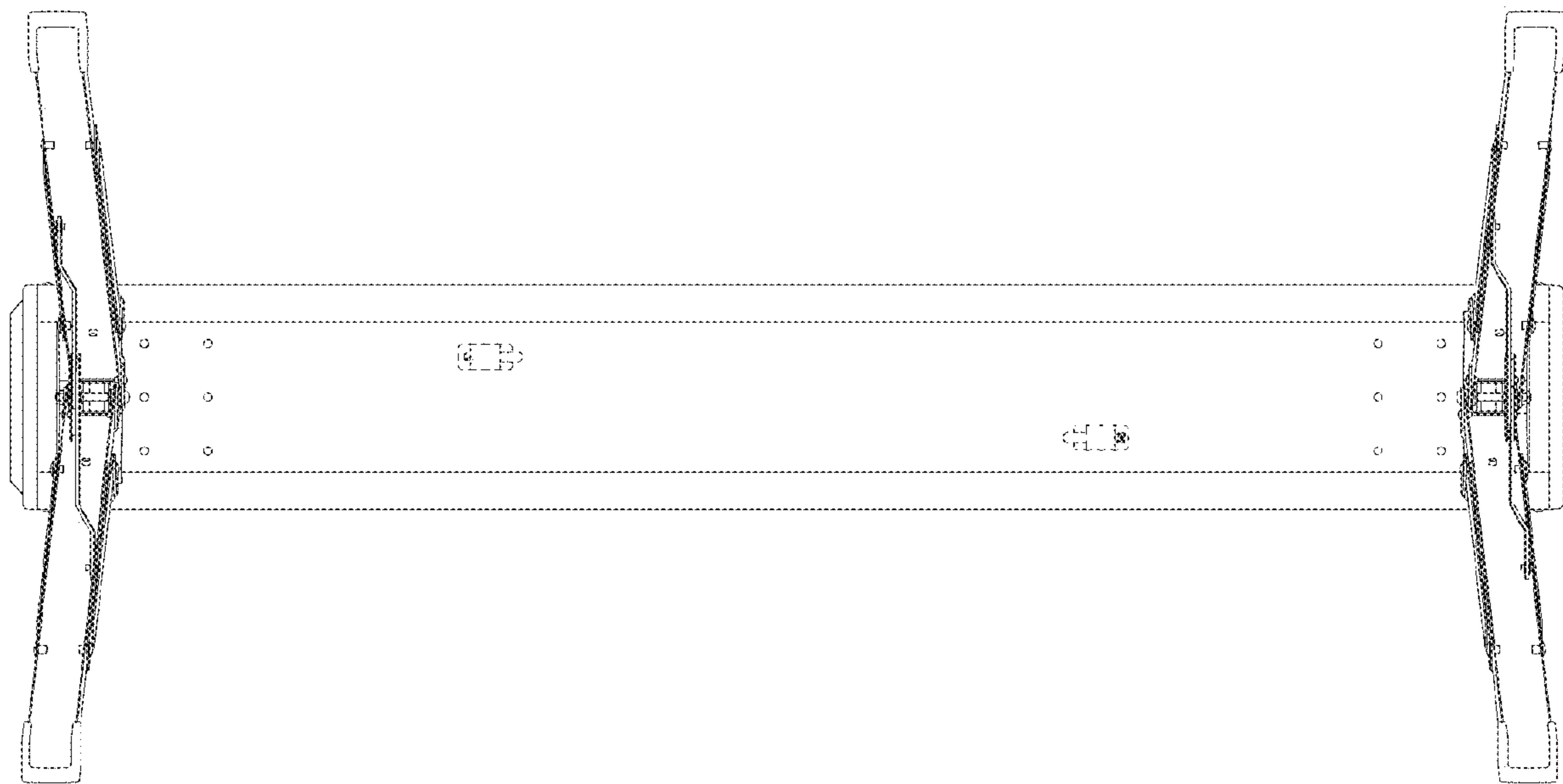


FIG. 6

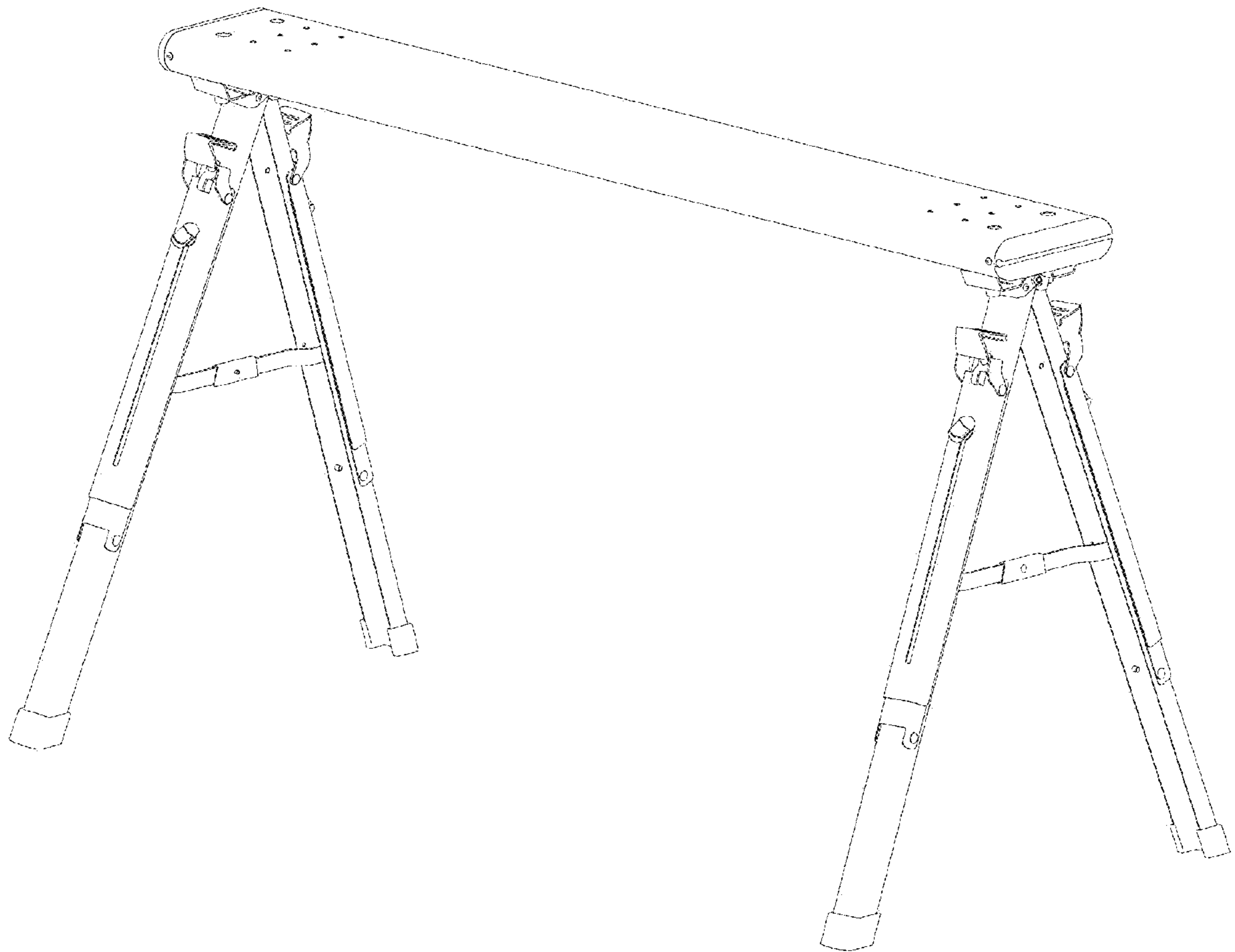


FIG. 7

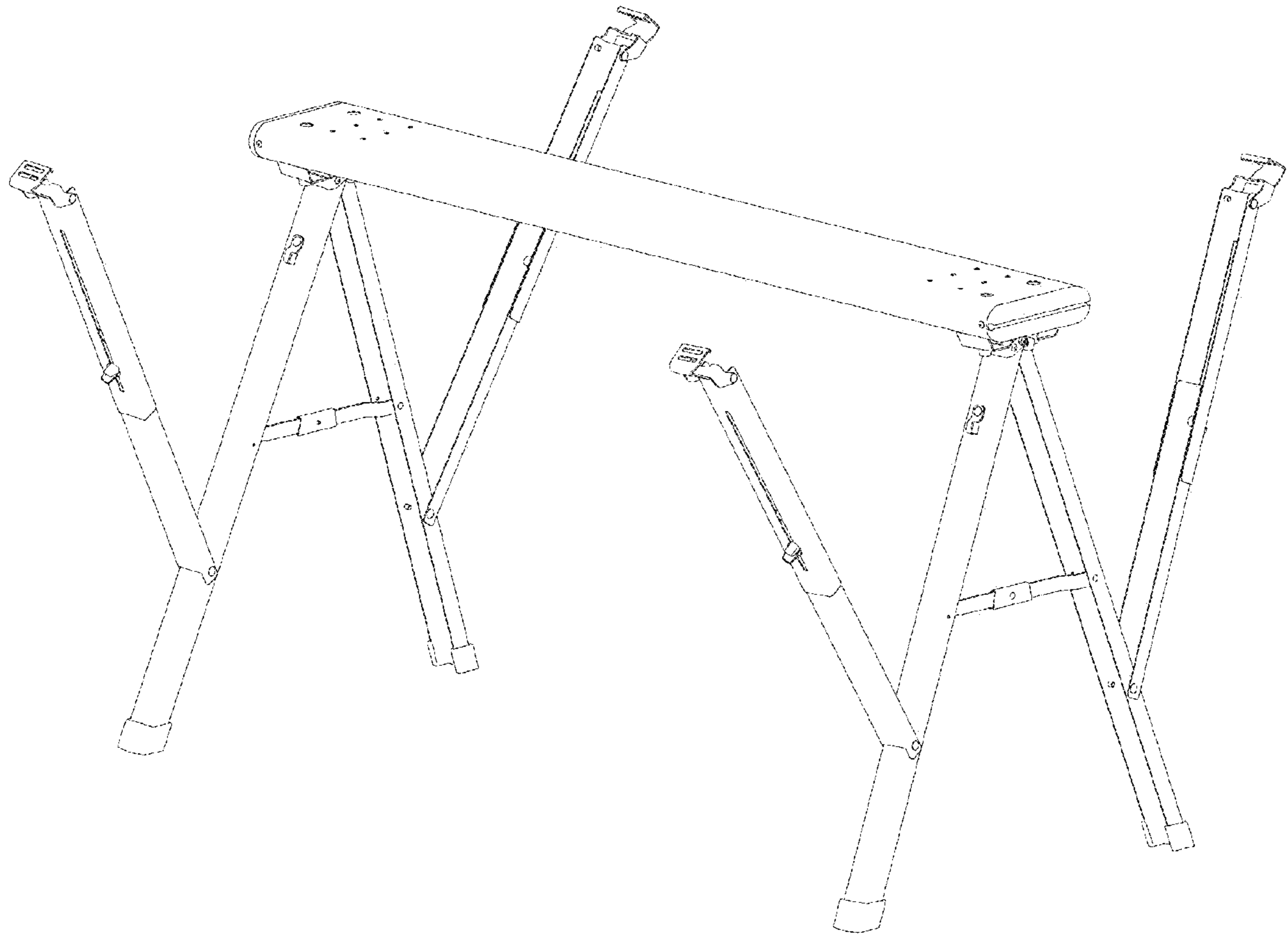


FIG. 8

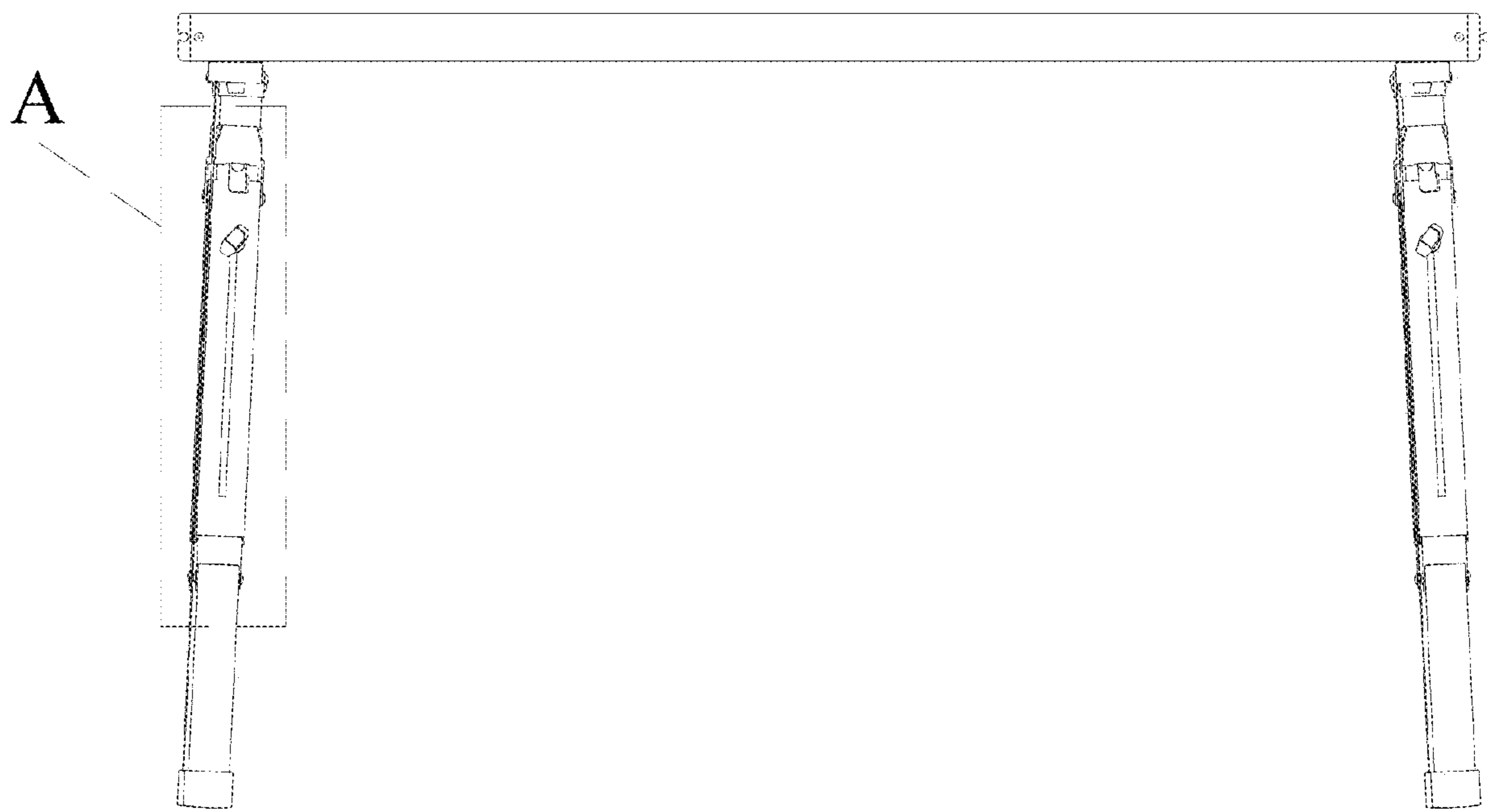


FIG. 9

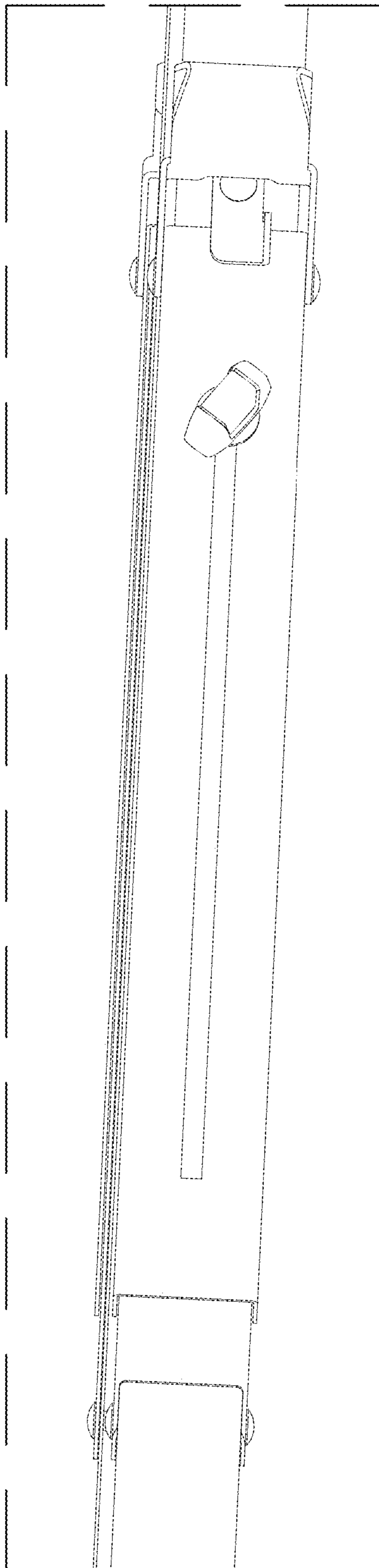


FIG. 10

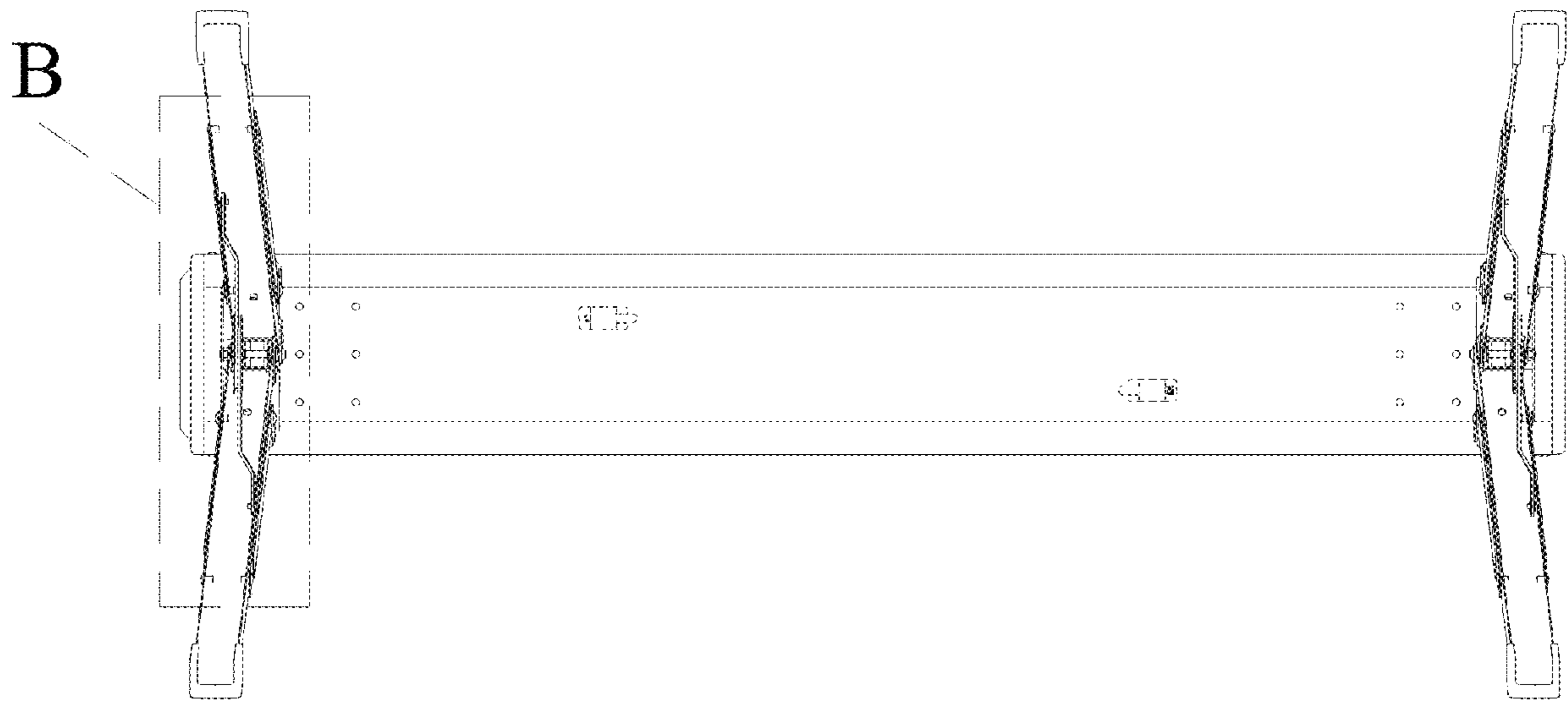


FIG. 11

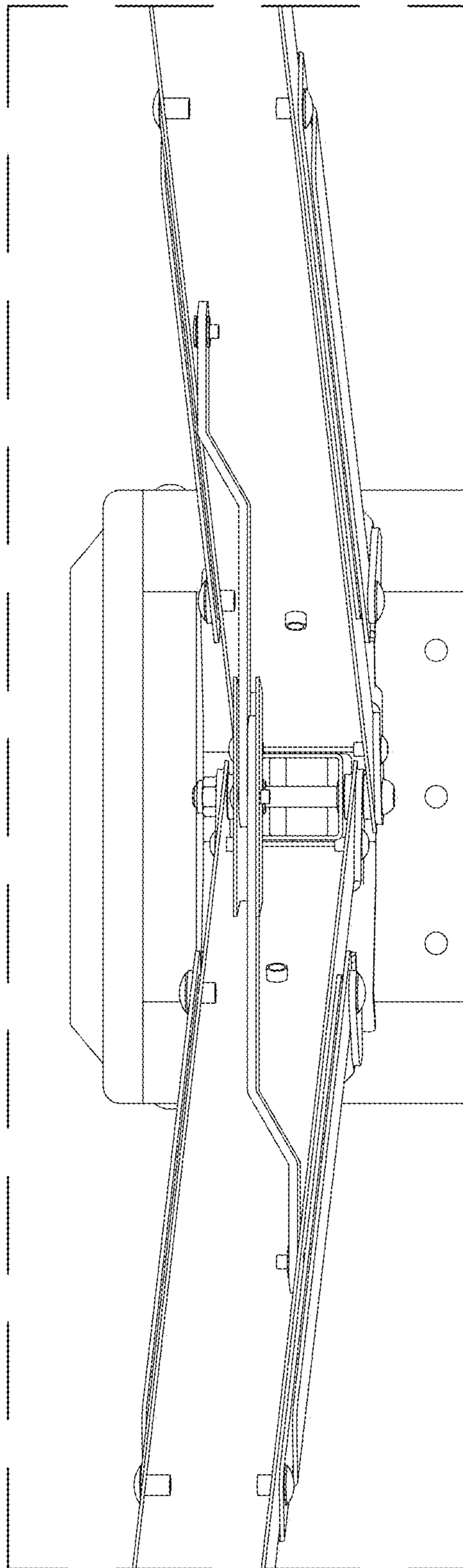


FIG. 12