



US00D973227S

(12) **United States Design Patent** (10) **Patent No.:** **US D973,227 S**
Lehtinen et al. (45) **Date of Patent:** **** Dec. 20, 2022**

(54) **PORTABLE OFFICE/MEETING ROOM**

(71) Applicant: **Framery Oy**, Tampere (FI)

(72) Inventors: **Jarno Lehtinen**, Pohjankuru (FI); **Joonas Vartola**, Helsinki (FI); **Olli Laaksonen**, Turku (FI); **Lasse Karvinen**, Tampere (FI); **Samu Hällfors**, Tampere (FI); **Ville Puolimatka**, Siivikkala (FI); **Henrik Ashorn**, Tampere (FI)

(73) Assignee: **FRAMERY OY**, Tampere (FI)

(**) Term: **15 Years**

(21) Appl. No.: **29/754,766**

(22) Filed: **Oct. 14, 2020**

(30) **Foreign Application Priority Data**

Apr. 14, 2020 (EM) 007809439

(51) **LOC (13) Cl.** **25-03**

(52) **U.S. Cl.**
USPC **D25/16; D25/33**

(58) **Field of Classification Search**
USPC D25/1-35; D6/332, 337, 640-644
CPC E04H 1/14; E04H 1/125
See application file for complete search history.

(56) **References Cited**

U.S. PATENT DOCUMENTS

D844,810	S	*	4/2019	Hallfors	D25/16
D844,817	S	*	4/2019	Zhu	D25/16
D844,818	S	*	4/2019	Zhu	D25/16
D872,302	S	*	1/2020	Tibi	D25/16
D886,324	S	*	6/2020	Haveri	D25/16
D895,148	S	*	9/2020	Wallinmaa	D25/18
D907,798	S	*	1/2021	Zhu	D25/16
D910,206	S	*	2/2021	Nakata	D25/16

(Continued)

Primary Examiner — Brett Miller
Assistant Examiner — Jasmine L. Comedy

(74) *Attorney, Agent, or Firm* — Thomas | Horstemeyer, LLP

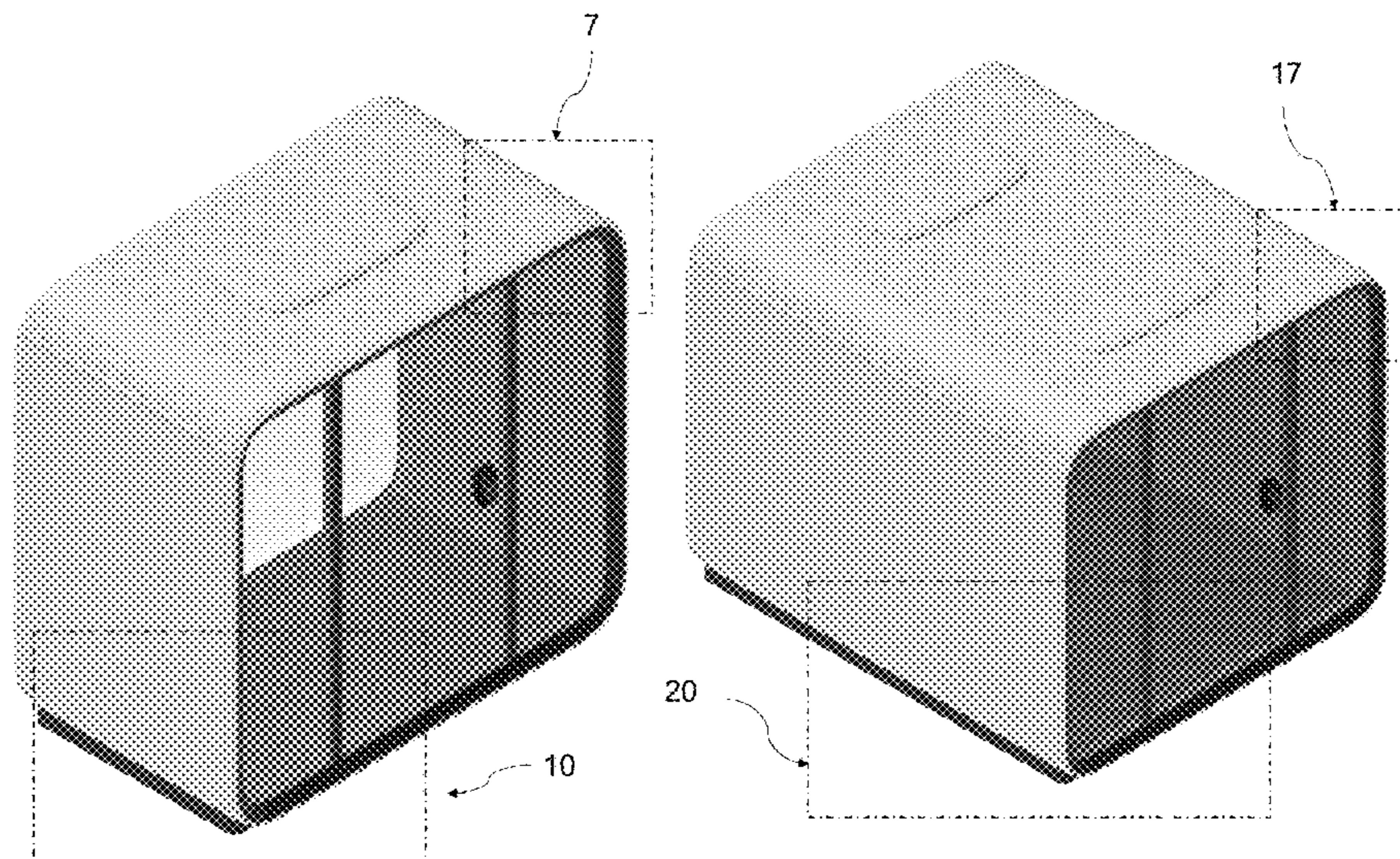
(57) **CLAIM**

The ornamental design for a portable office/meeting room, as shown and described.

DESCRIPTION

FIG. 1 is a perspective view of a portable office/meeting room, showing our new design;
 FIG. 2 is another perspective view thereof, from a different angle than FIG. 1;
 FIG. 3 is a front view thereof;
 FIG. 4 is a back view thereof;
 FIG. 5 is a right side view thereof;
 FIG. 6 is a bottom view thereof;
 FIG. 7 is an enlarged top view of the corner of inset 7 of FIG. 1;
 FIG. 8 is a top view thereof;
 FIG. 9 is a left side view thereof;
 FIG. 10 is an enlarged view of a bottom corner of inset 10 of FIG. 1;
 FIG. 11 is a perspective view of a third embodiment of the portable office/meeting room of FIG. 1, showing our new design;
 FIG. 12 is another perspective view thereof, from a different angle than FIG. 11;
 FIG. 13 is a front view thereof;
 FIG. 14 is a back view thereof;
 FIG. 15 is a right side view thereof;
 FIG. 16 is a bottom view thereof;
 FIG. 17 is an enlarged top view of the corner of inset 27 of FIG. 11;
 FIG. 18 is a top view thereof;
 FIG. 19 is a left side view thereof; and,
 FIG. 20 is an enlarged view of a bottom corner of inset 30 of FIG. 11.

1 Claim, 20 Drawing Sheets



(56)

References Cited

U.S. PATENT DOCUMENTS

D911,552	S *	2/2021	Kitada	D25/16
10,907,370	B1 *	2/2021	Waskey	E04B 1/8218
D912,844	S *	3/2021	Pucci	D25/16
D921,926	S *	6/2021	Ko	D25/16
D933,852	S *	10/2021	Zhu	D25/16
2020/0018060	A1 *	1/2020	Watanabe	E04H 1/125
2020/0128959	A1 *	4/2020	Agrawal	G07C 9/27

* cited by examiner

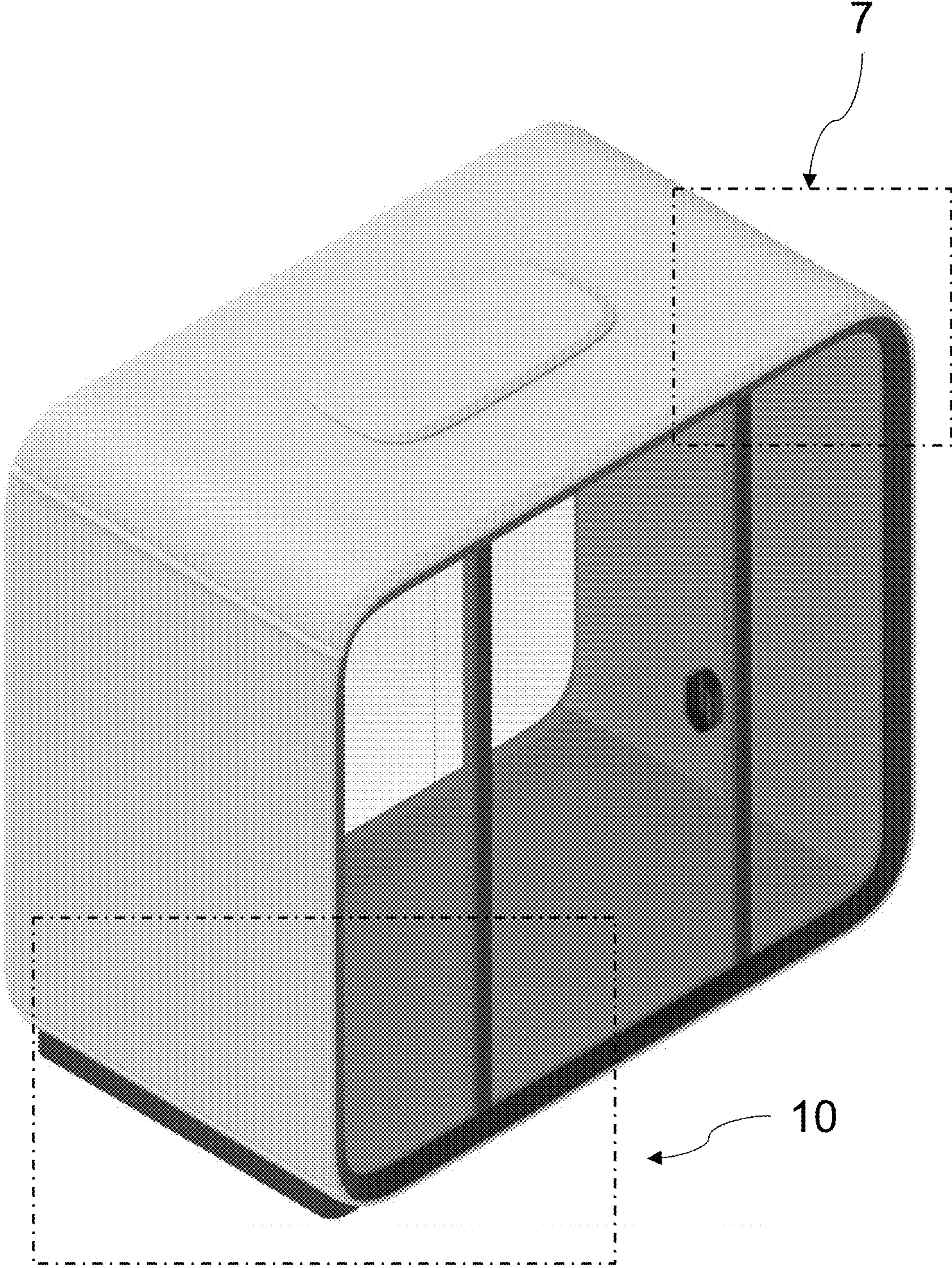


FIG. 1

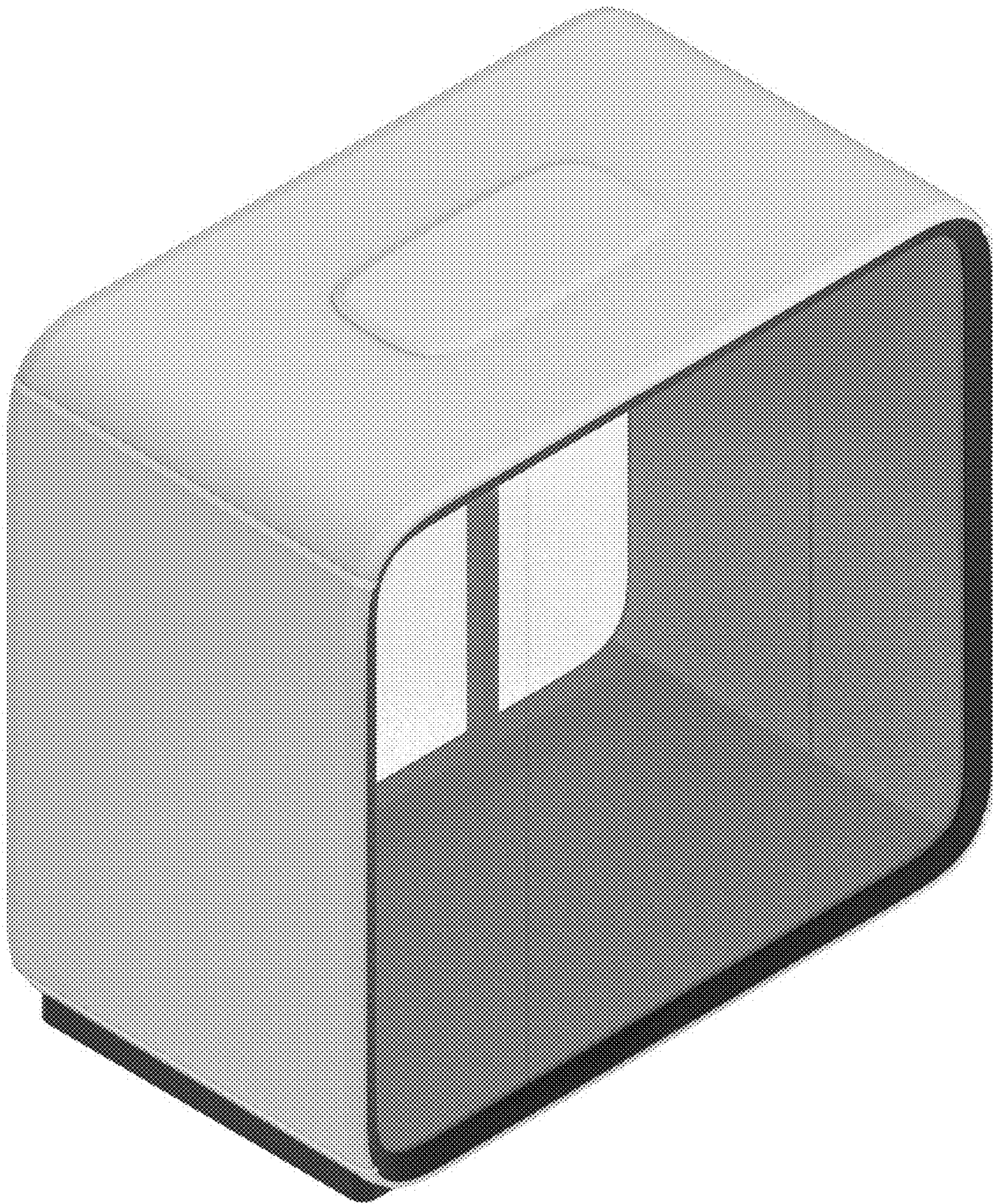


FIG. 2

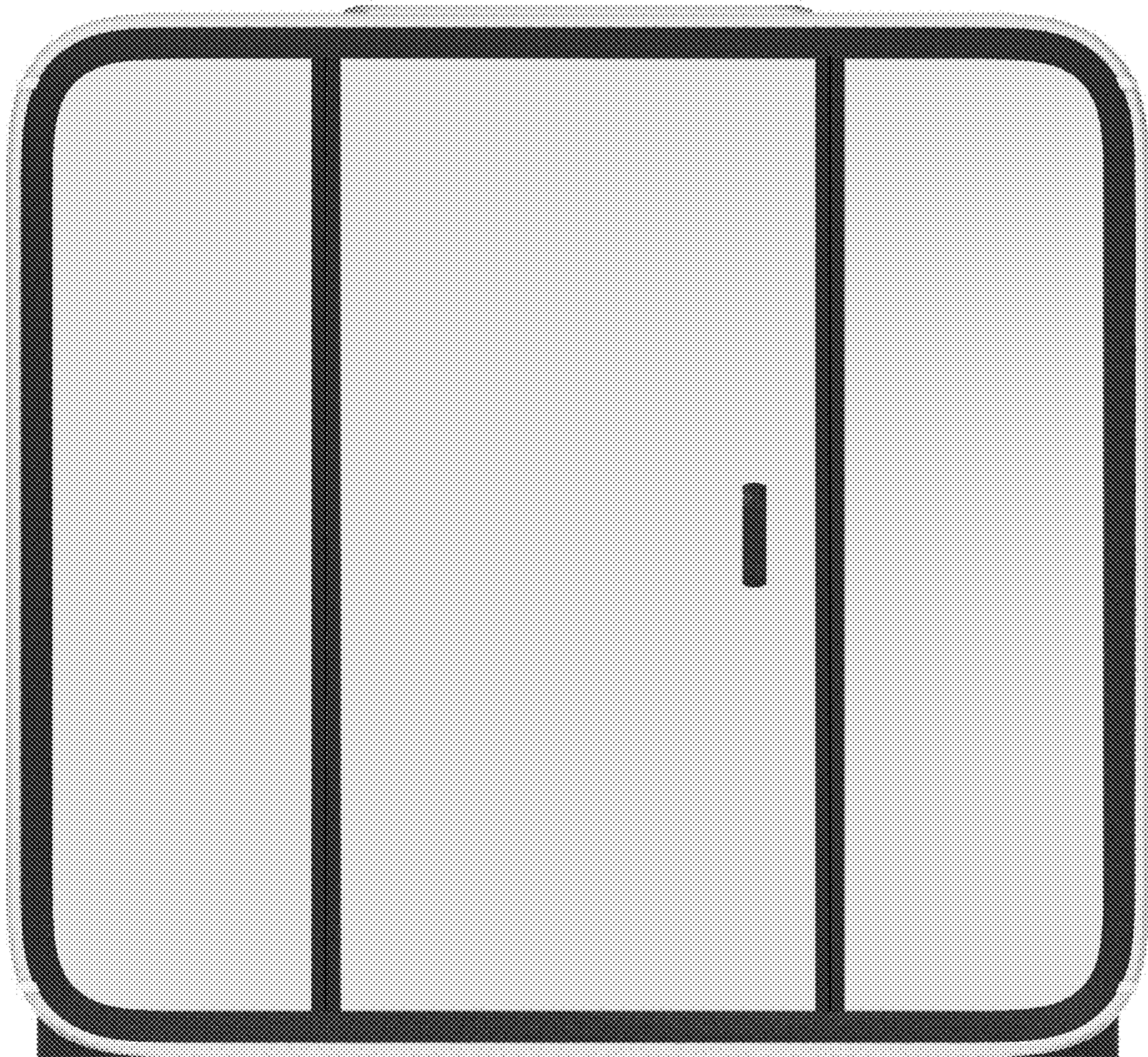


FIG. 3

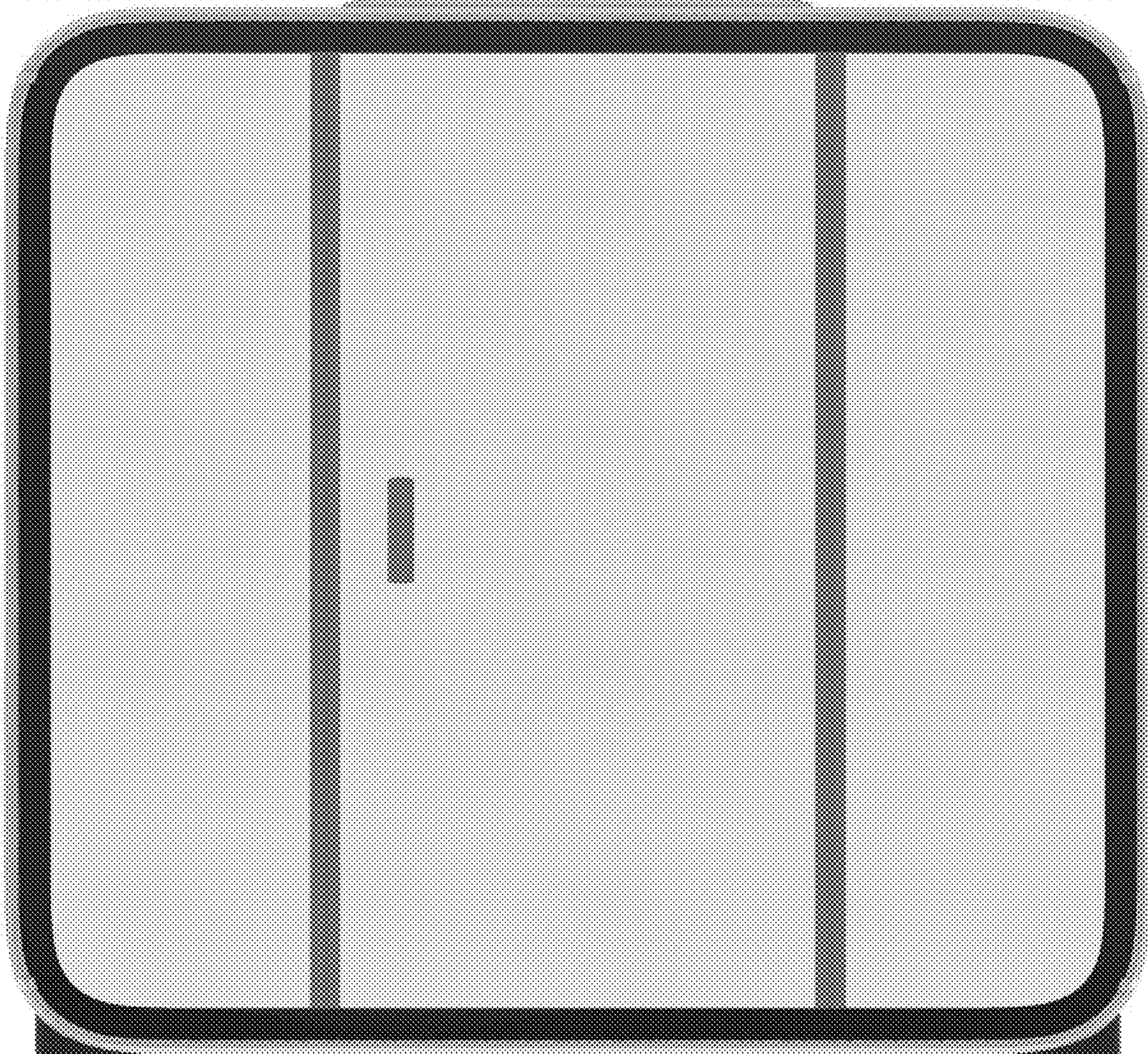


FIG. 4

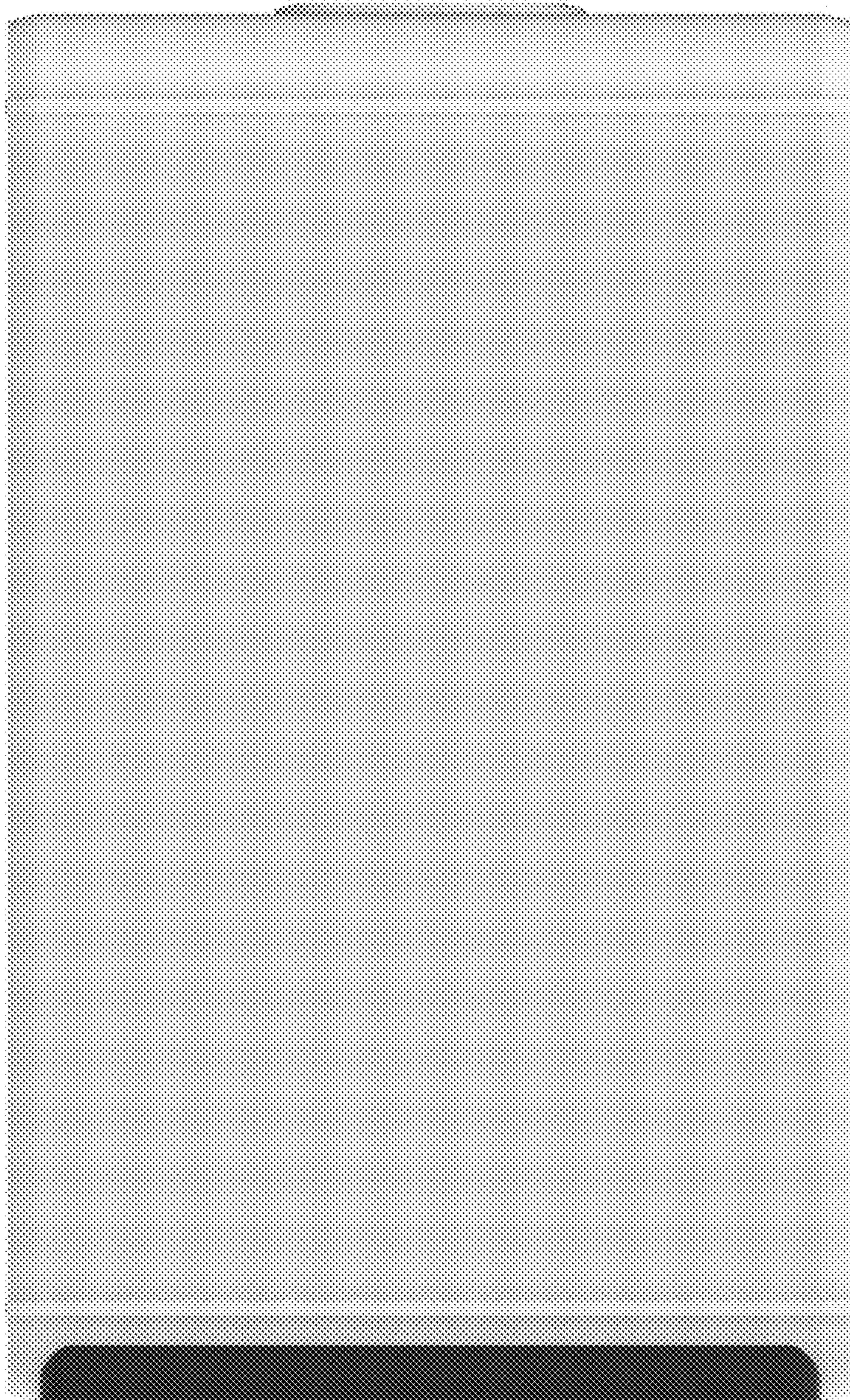


FIG. 5

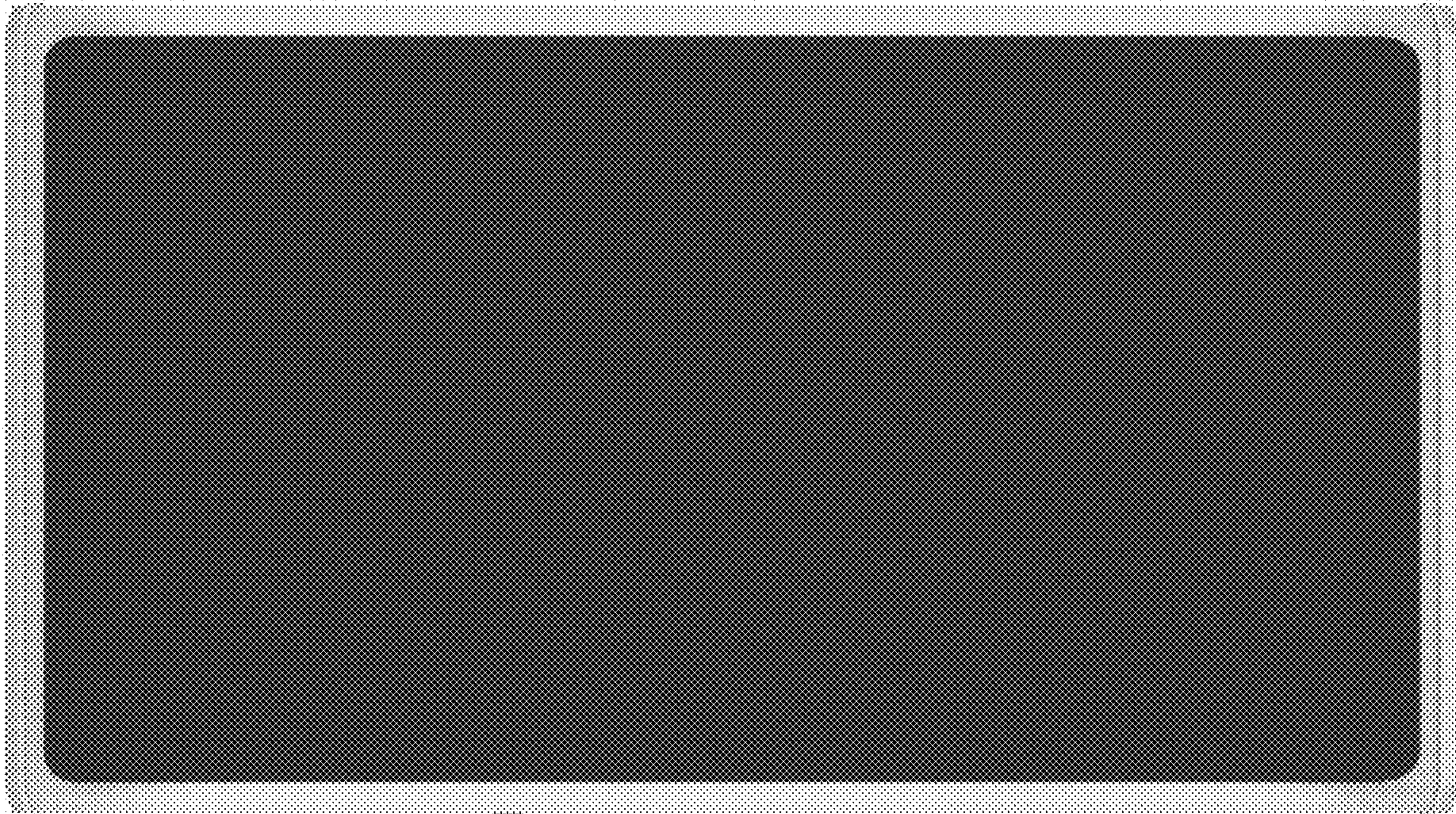


FIG. 6

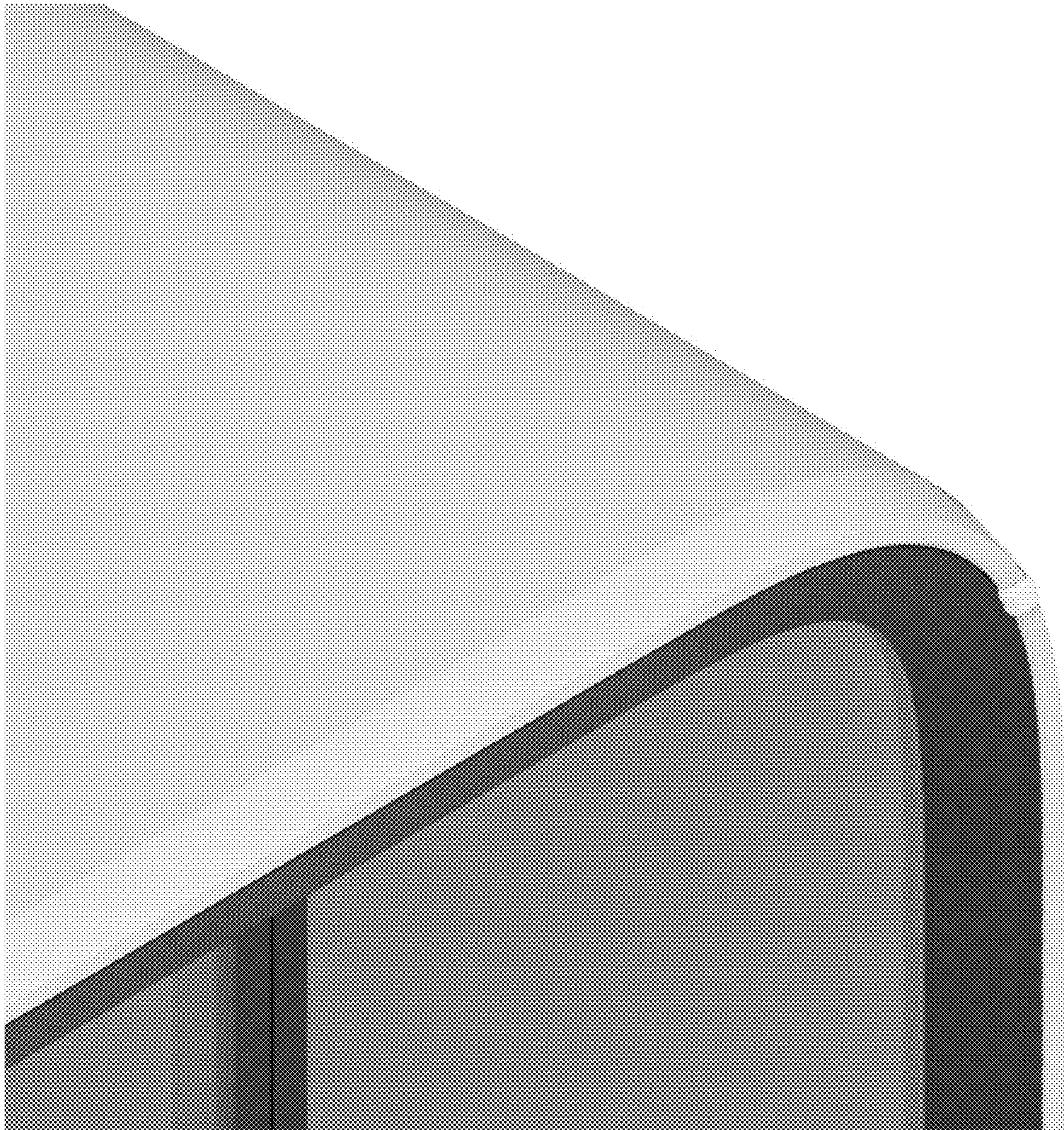


FIG. 7

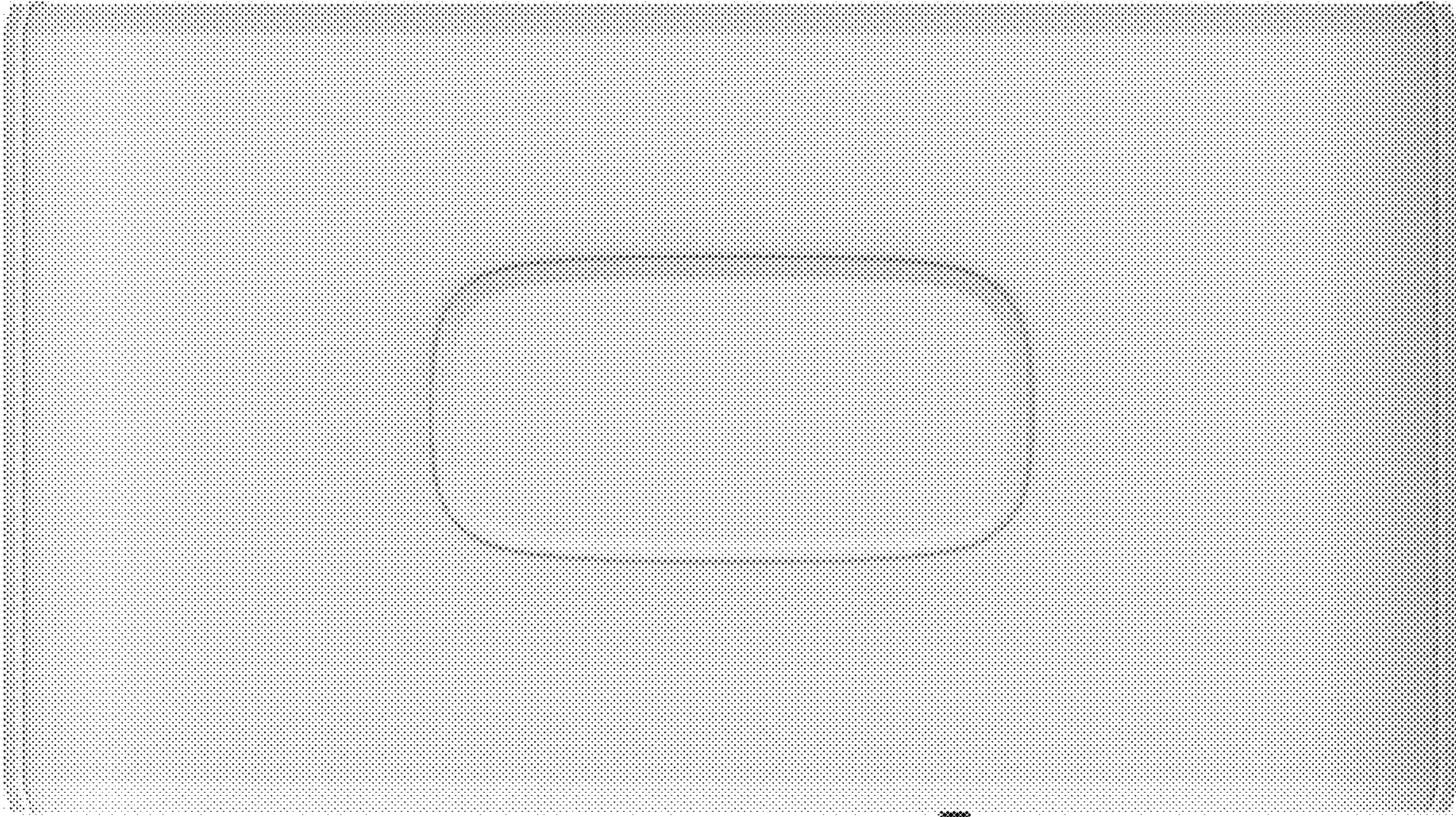


FIG. 8



FIG. 9

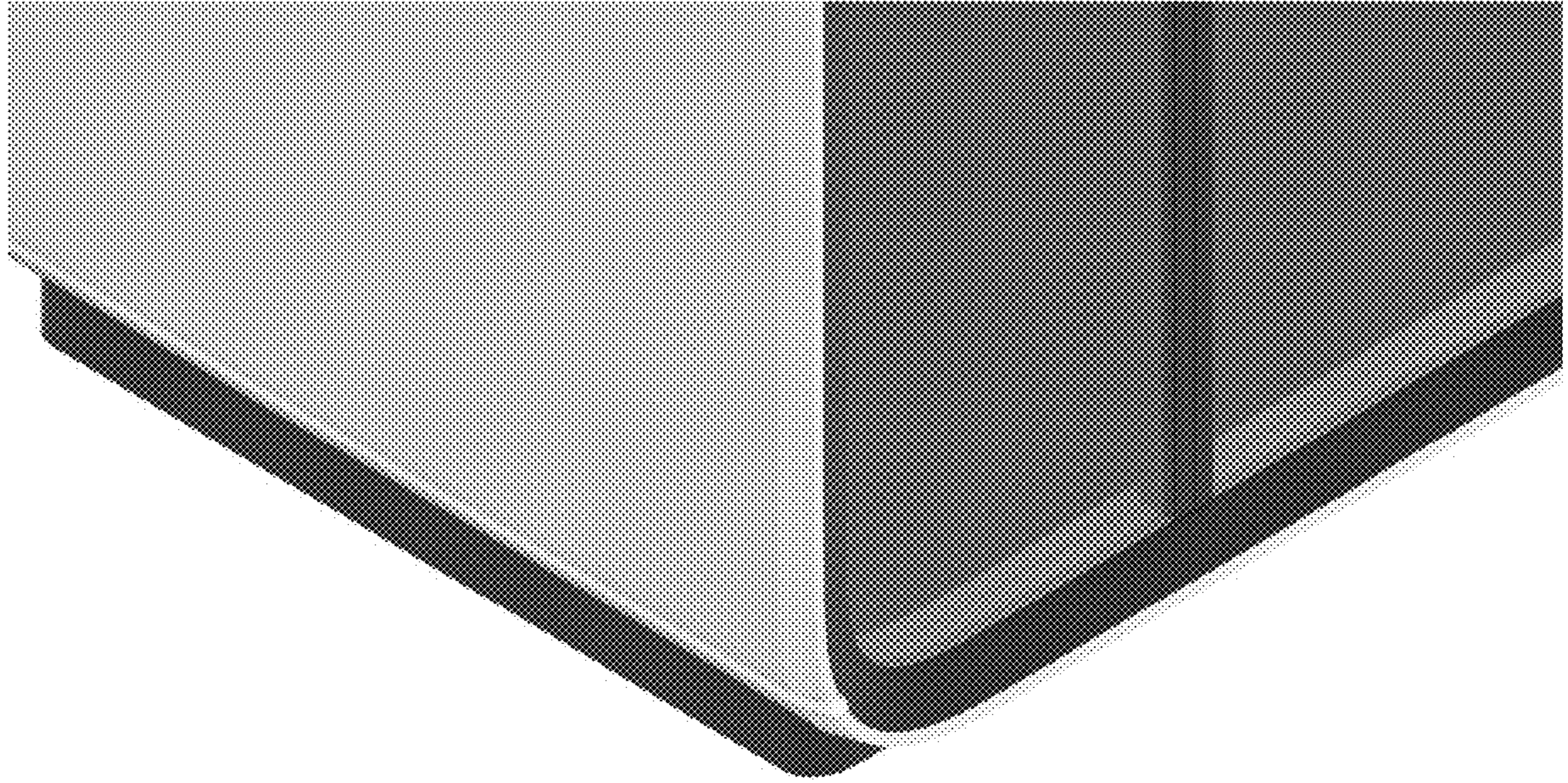


FIG. 10

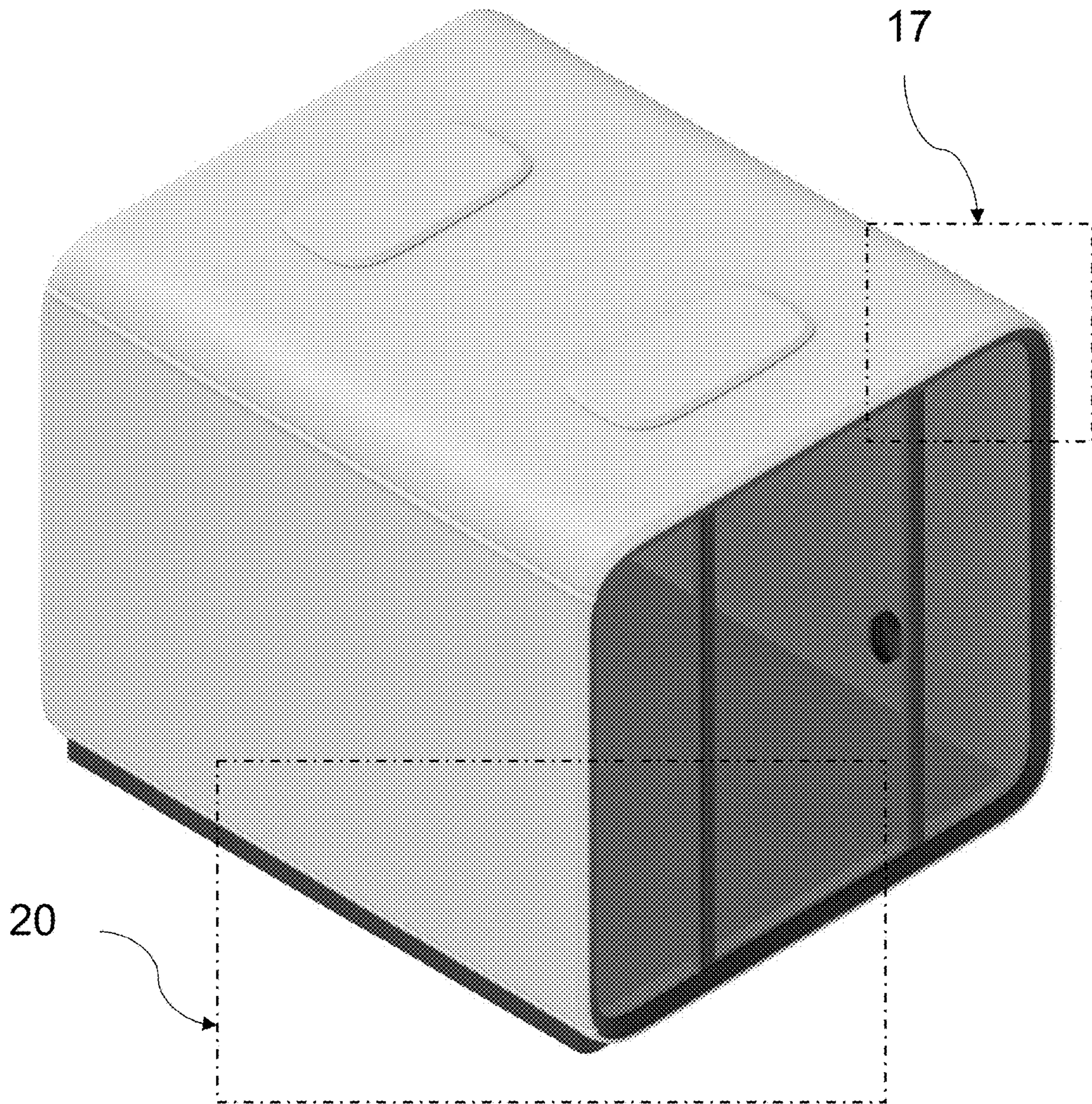


FIG. 11

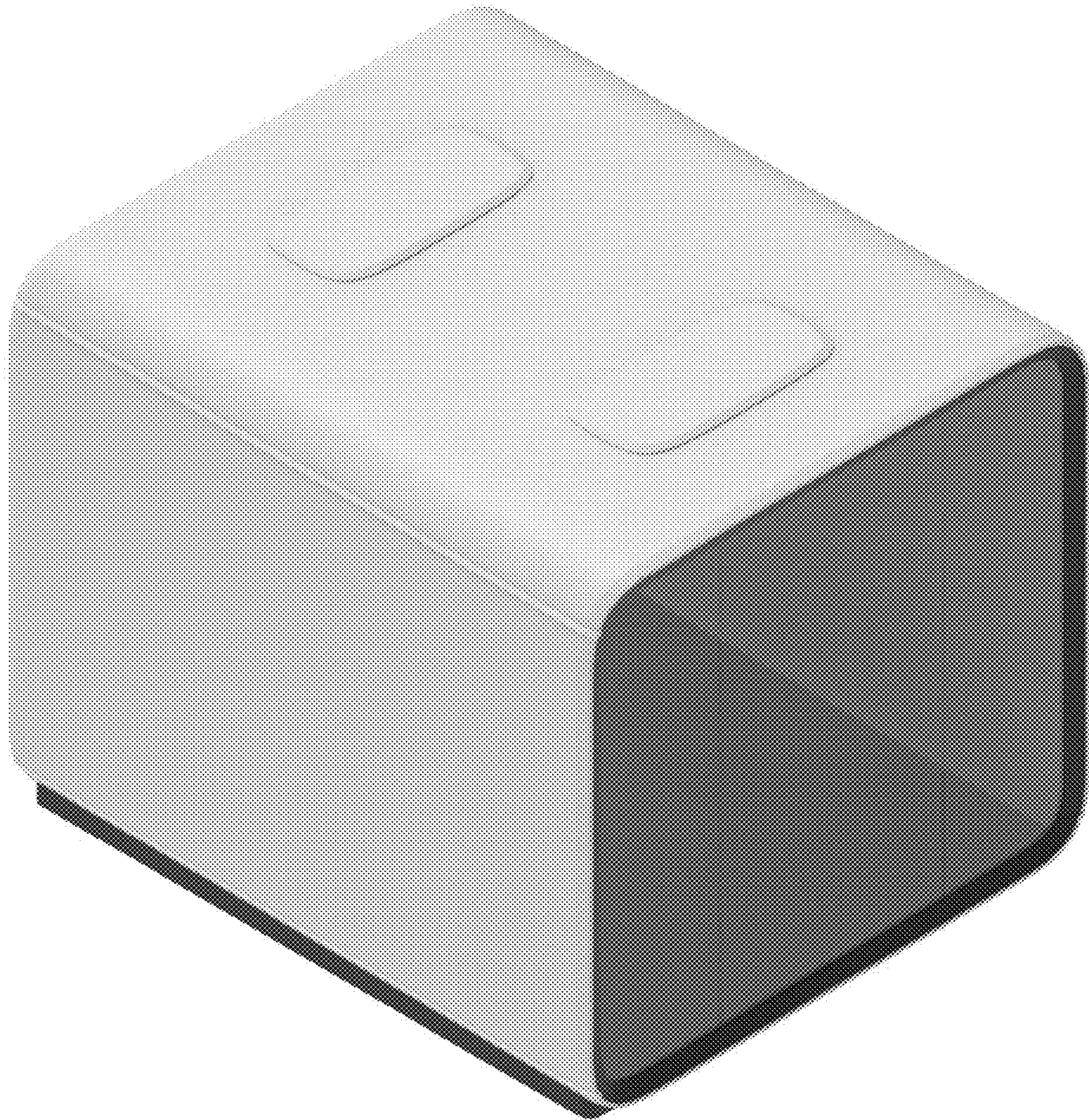


FIG. 12

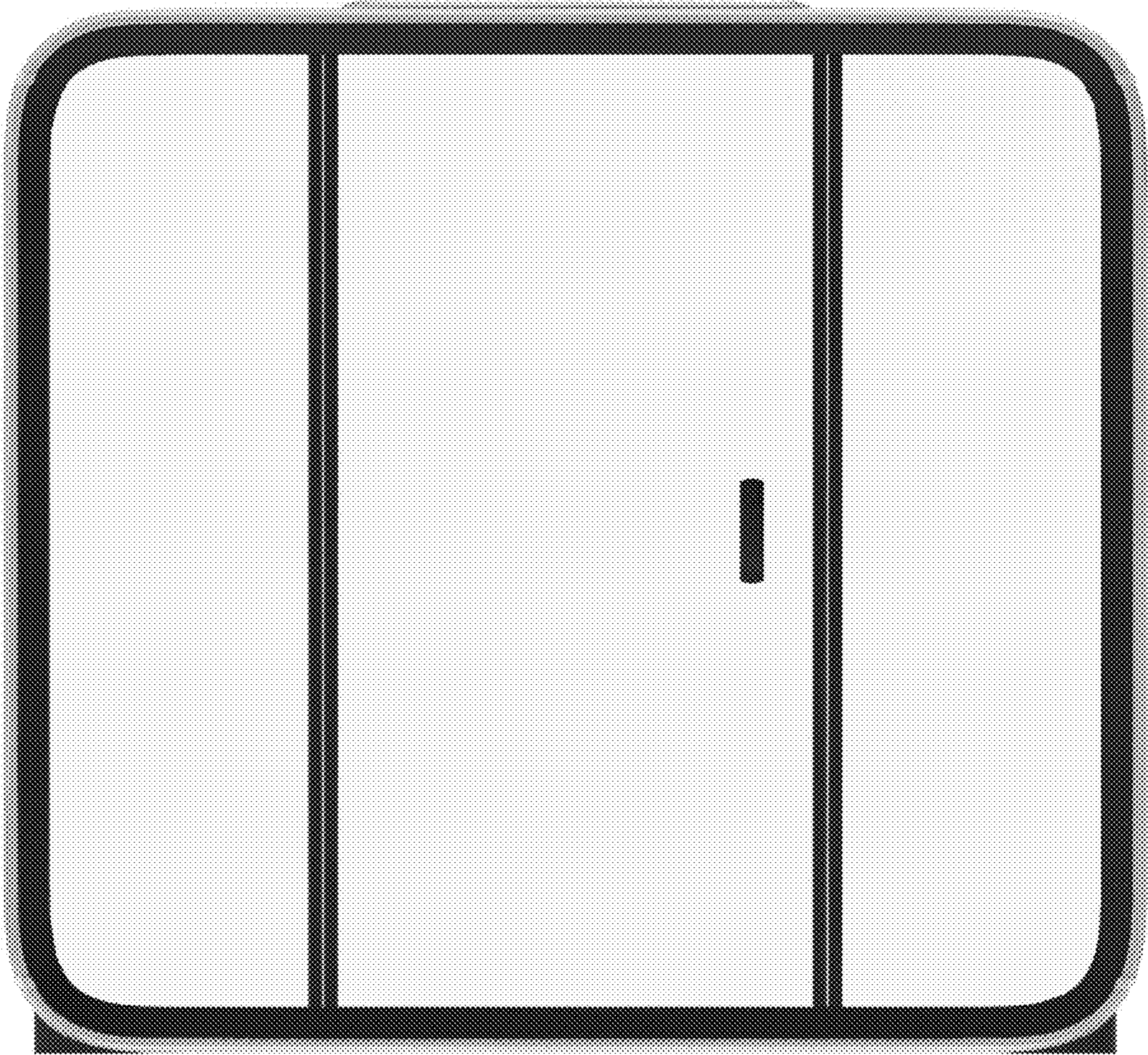


FIG. 13

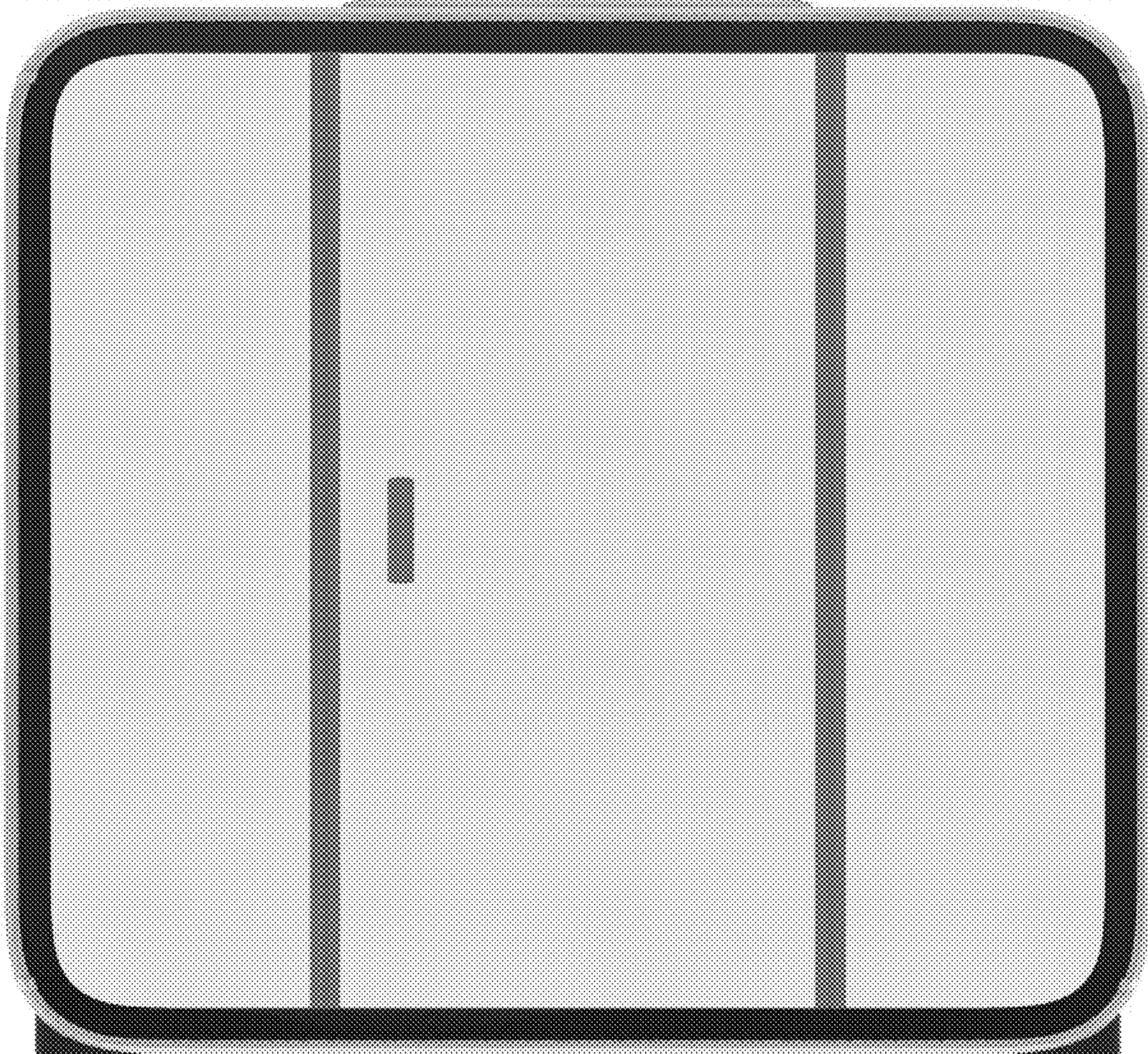


FIG. 14

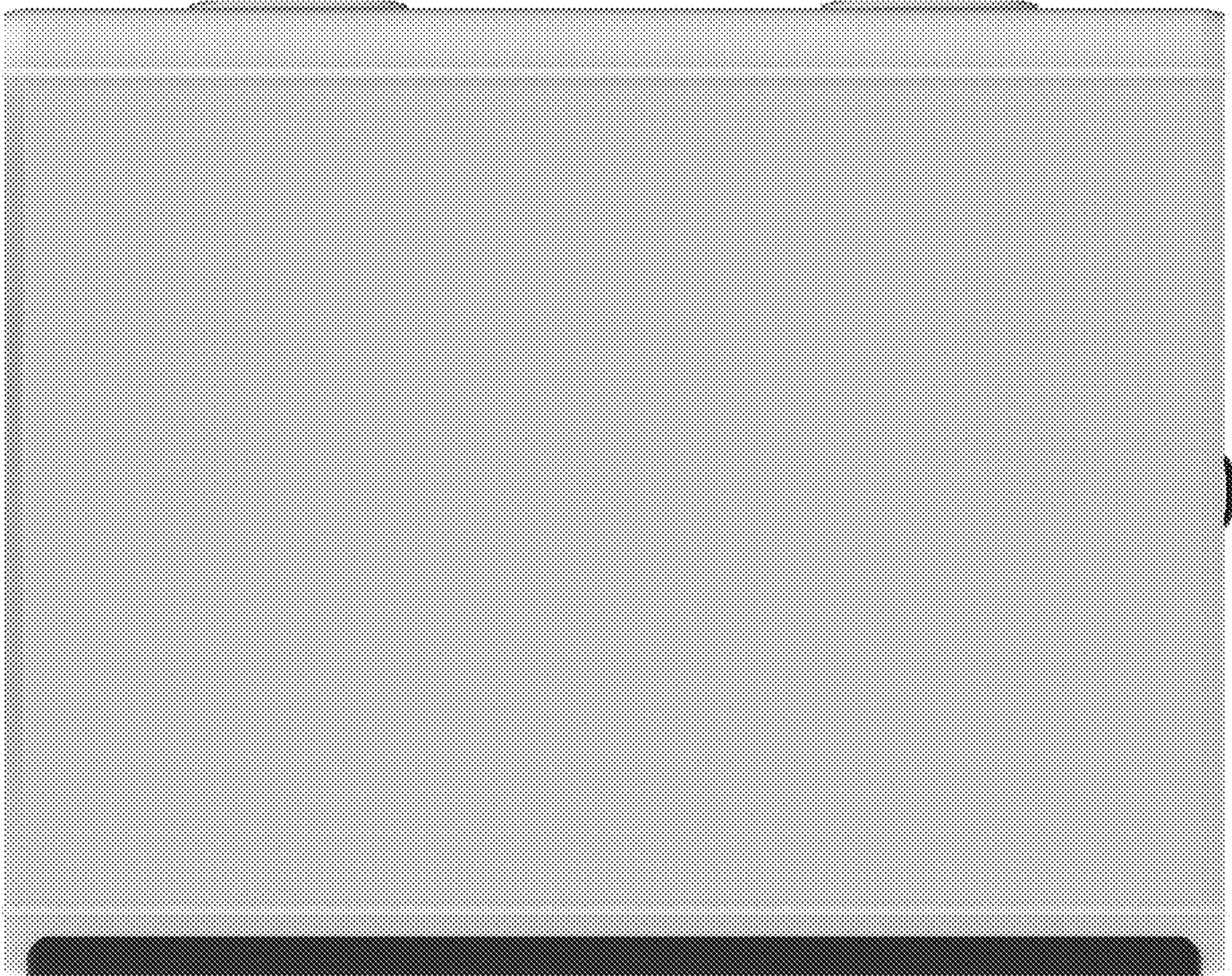


FIG. 15

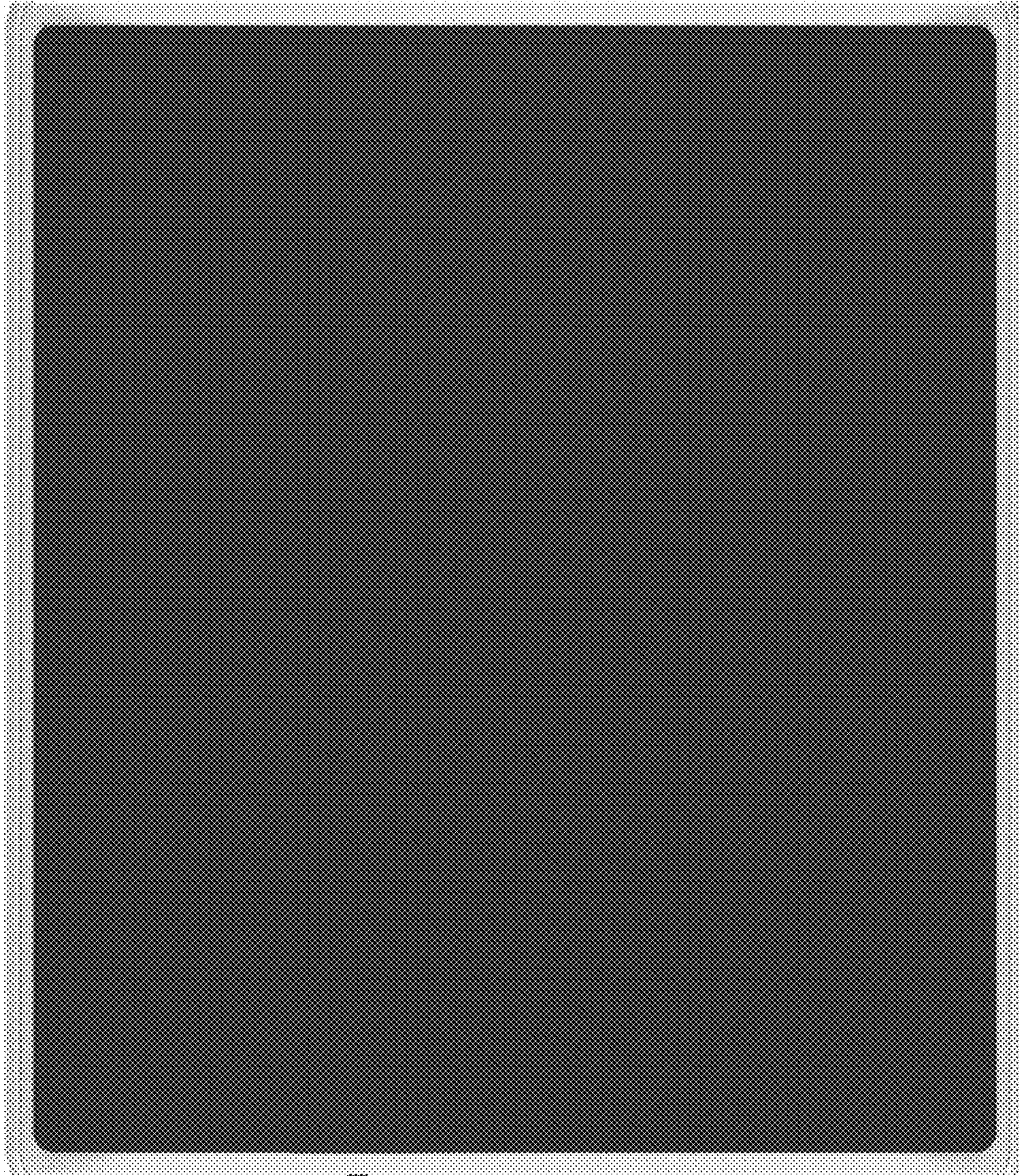


FIG. 16

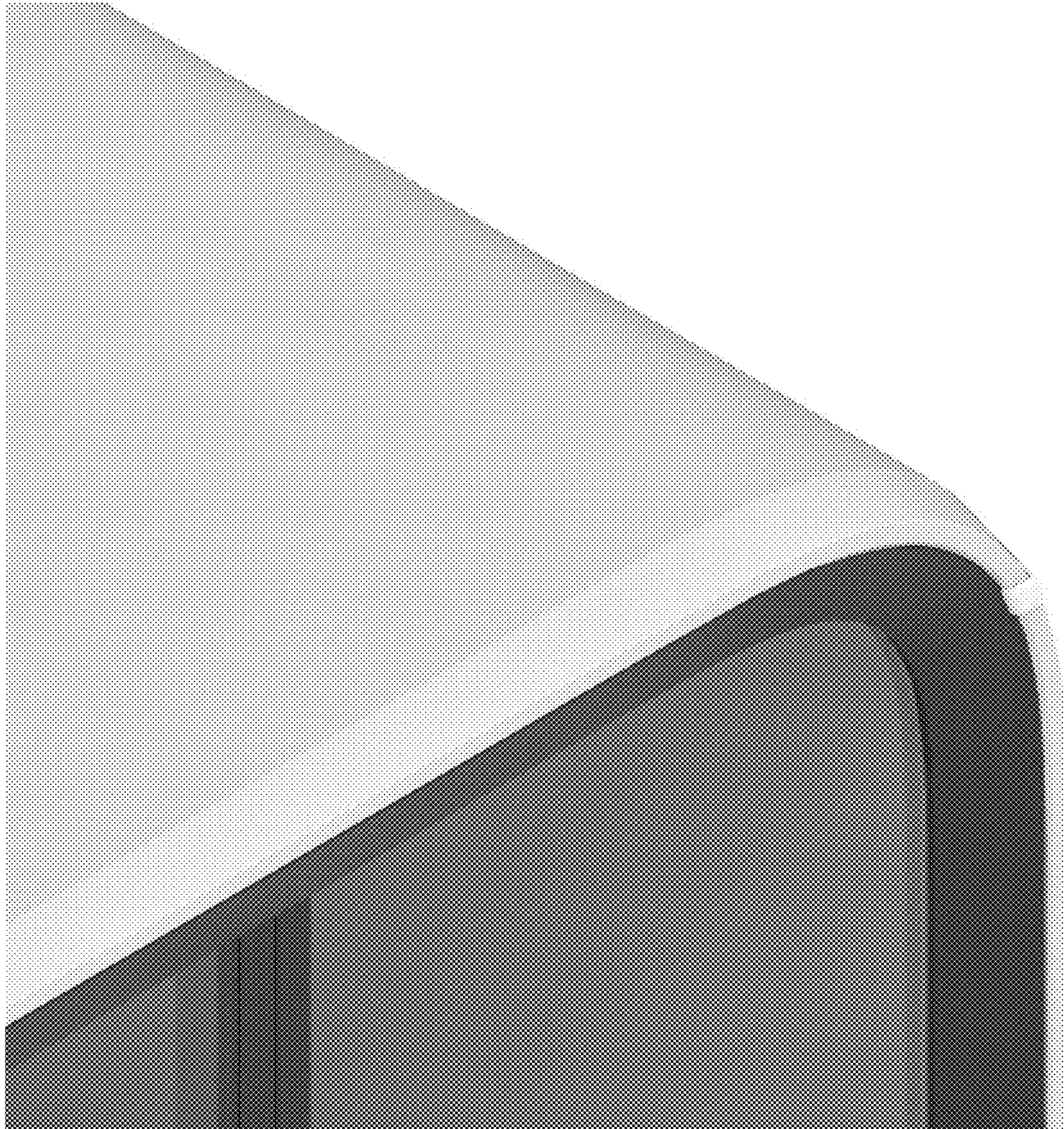


FIG. 17



FIG. 18

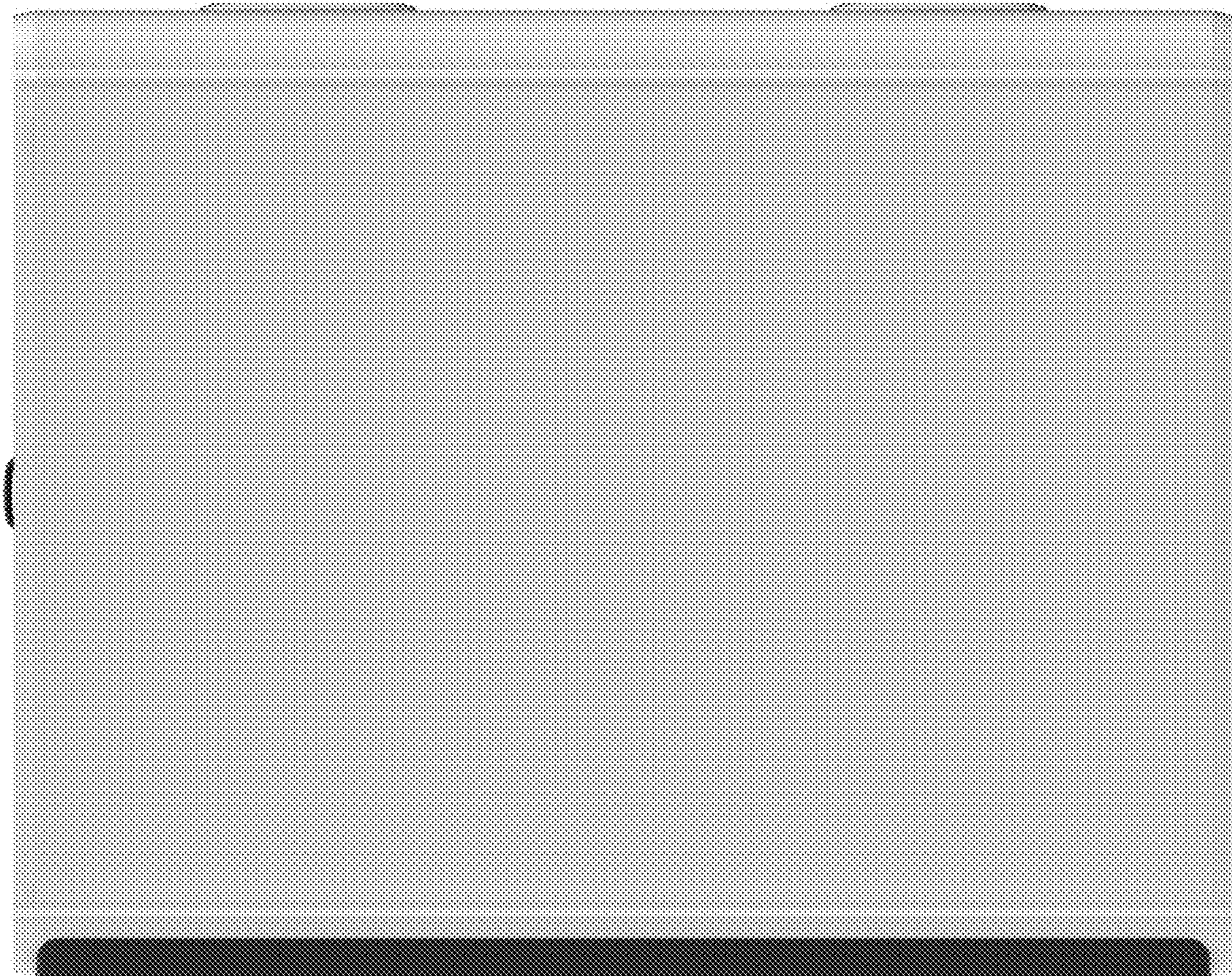


FIG. 19

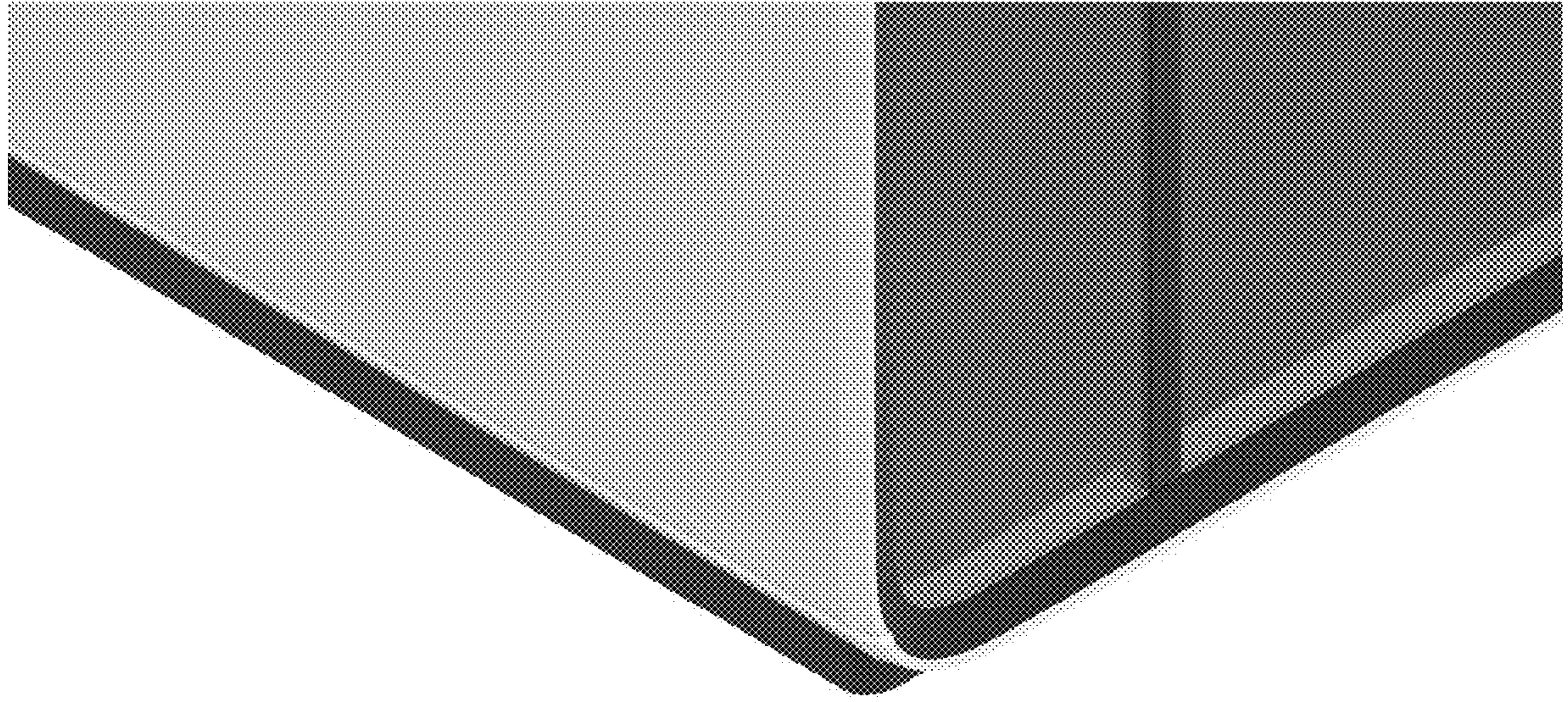


FIG. 20