



US00D973226S

(12) **United States Design Patent**  
**Zhu**

(10) **Patent No.:** **US D973,226 S**  
(45) **Date of Patent:** **\*\* Dec. 20, 2022**

(54) **DOG POOL**

- (71) Applicant: **Qin Zhu**, Jiangxi (CN)
- (72) Inventor: **Qin Zhu**, Jiangxi (CN)
- (\*\*) Term: **15 Years**
- (21) Appl. No.: **29/809,211**
- (22) Filed: **Sep. 27, 2021**
- (51) **LOC (13) Cl.** ..... **25-03**
- (52) **U.S. Cl.**  
USPC ..... **D25/2; D21/815; D30/158**
- (58) **Field of Classification Search**  
USPC ..... **D25/2; D24/203-205; D21/815-816; D30/158**  
CPC ..... **E04H 4/0018; E04H 4/0043; E04H 2004/0068**  
See application file for complete search history.

(56) **References Cited**

**U.S. PATENT DOCUMENTS**

- 2,839,762 A \* 6/1958 Nomura ..... E04H 4/0031  
220/666
- 3,869,736 A \* 3/1975 Valois ..... E04H 4/0043  
4/506
- 3,934,277 A \* 1/1976 Quirouette ..... E04H 4/0018  
D25/2
- D245,524 S \* 8/1977 Friedlander ..... D21/816
- 5,205,791 A \* 4/1993 Pledger ..... A45C 9/00  
4/488
- D383,853 S \* 9/1997 Enns ..... D25/2
- D905,187 S 12/2020 Wang
- D929,528 S 8/2021 Huang
- D959,762 S \* 8/2022 Liang ..... D21/815

**FOREIGN PATENT DOCUMENTS**

IN 268494-0001 \* 12/2014

**OTHER PUBLICATIONS**

Jasonwell, Foldable Dog Pet Bath Pool, Sep. 25, 2017 (review discloses design), Amazon, <https://www.amazon.com/Jasonwell-Foldable-Collapsible-39-5inch-D-11-8inch-H/dp/B09QC3KWTG> (Year: 2017).\*

Flyboo, Splash Sprinkler Pad, May 15, 2020, Amazon, <https://www.amazon.com/dp/B088NZV8YM> (Year: 2020).\*

\* cited by examiner

*Primary Examiner* — Brett Miller

(74) *Attorney, Agent, or Firm* — ScienBiziP, P.C.

(57) **CLAIM**

The ornamental design for a dog pool, as shown and described.

**DESCRIPTION**

FIG. 1 is a front, left, and top perspective view of a dog pool, showing my design.

FIG. 2 is a front elevation view thereof.

FIG. 3 is a rear elevation view thereof.

FIG. 4 is a left side elevation view thereof.

FIG. 5 is a right side elevation view thereof.

FIG. 6 is a top plan view thereof.

FIG. 7 is a bottom plan view thereof.

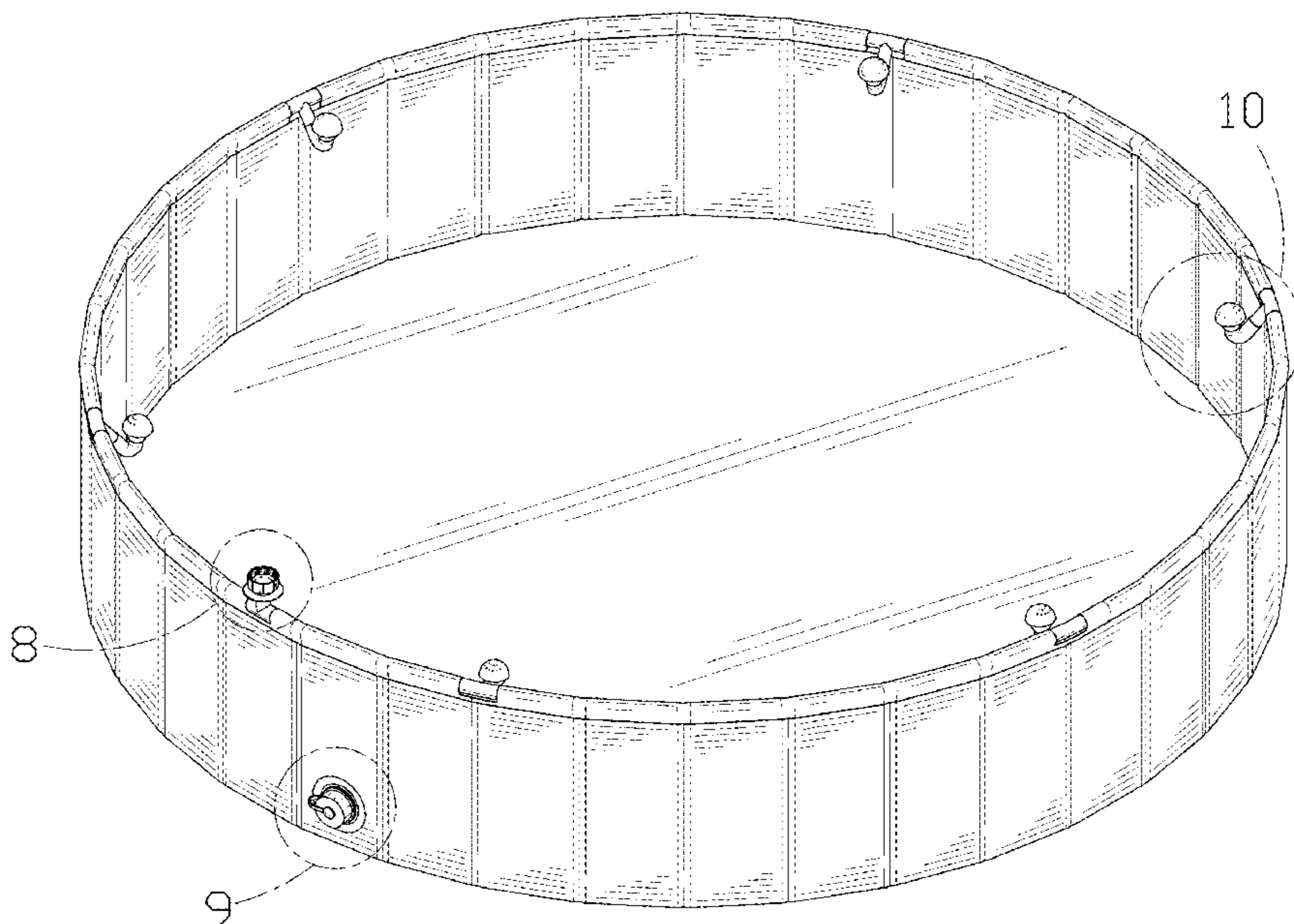
FIG. 8 is a partial enlarged view of an area labeled 8 in FIG. 1 comprising a nozzle.

FIG. 9 is a partial enlarged view of an area labeled 9 in FIG. 1 comprising a drain outlet; and,

FIG. 10 is a partial enlarged view of an area labeled 10 in FIG. 1 comprising a spout.

The broken lines shown in the drawings are included for the purpose of illustrating portions of the dog pool that form no part of the claimed design.

**1 Claim, 10 Drawing Sheets**



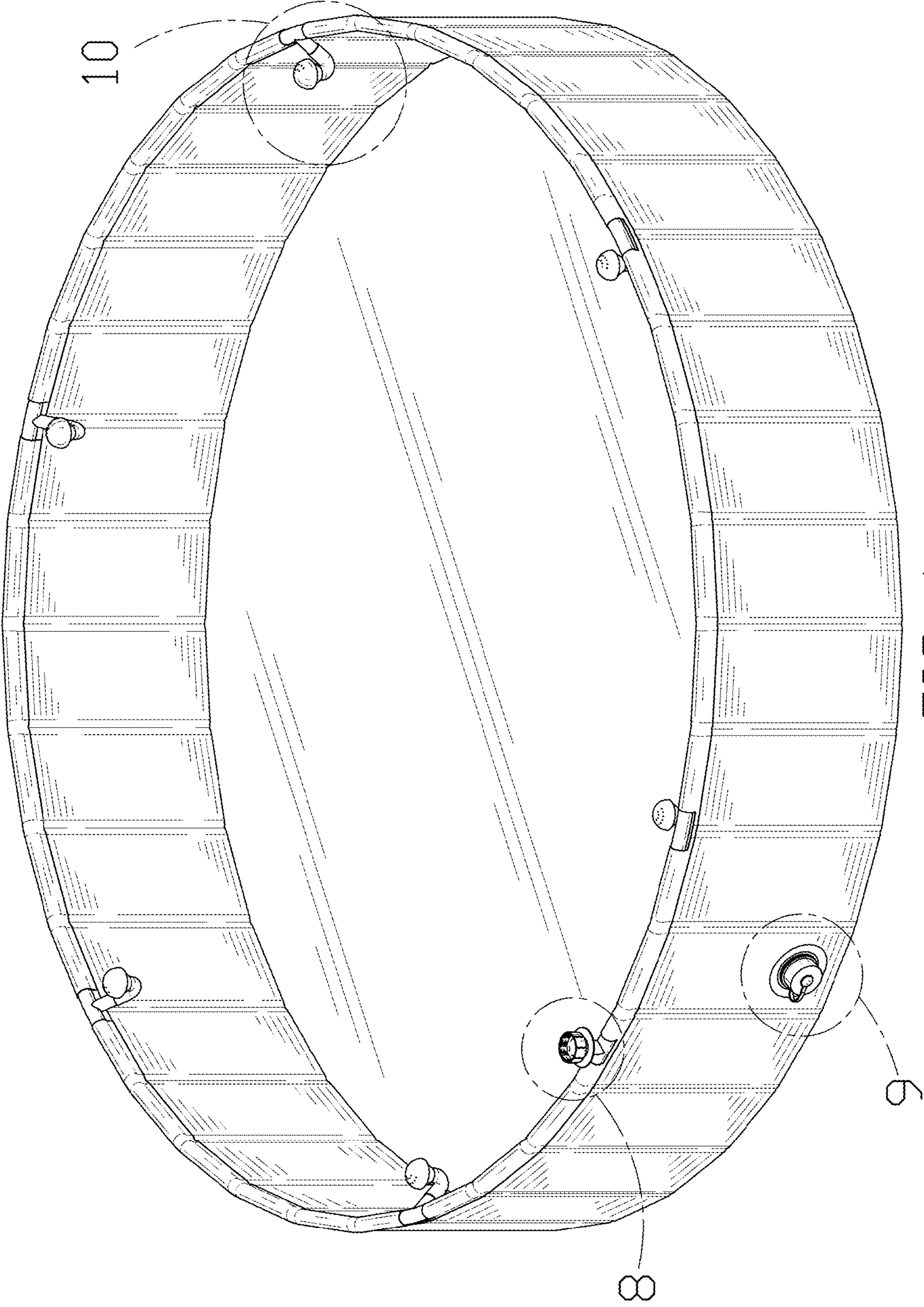


FIG. 1

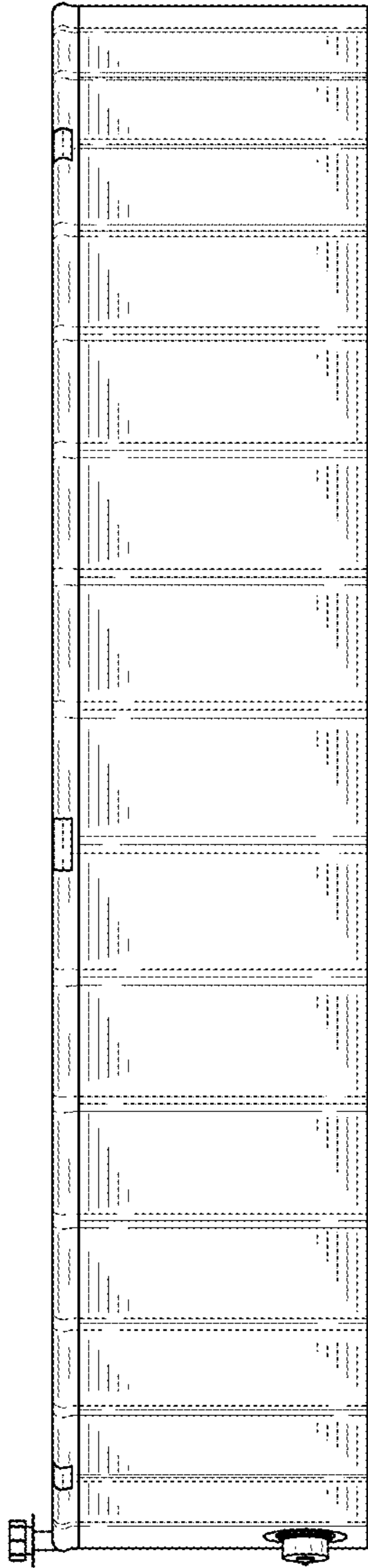


FIG. 2

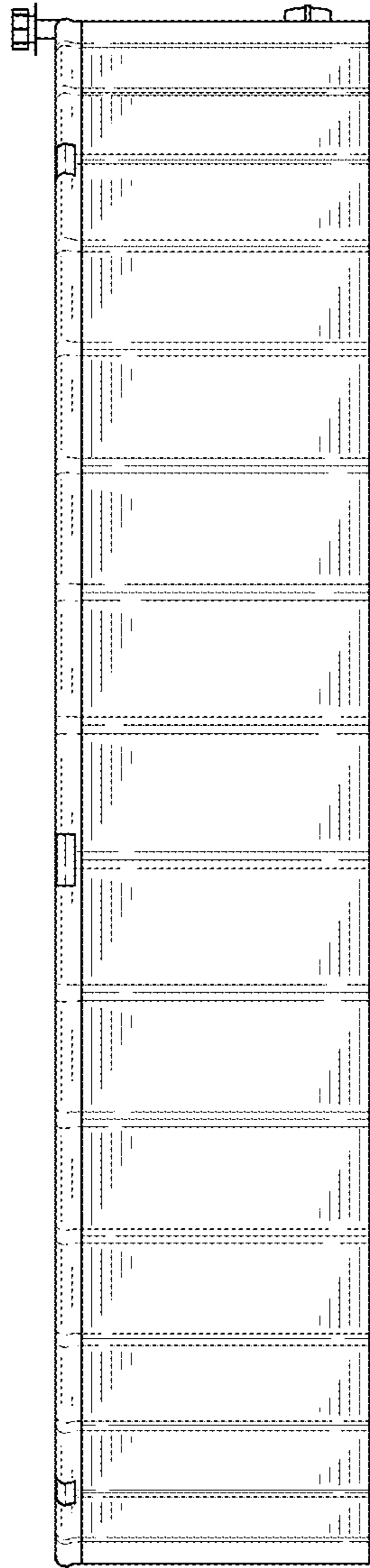


FIG. 3

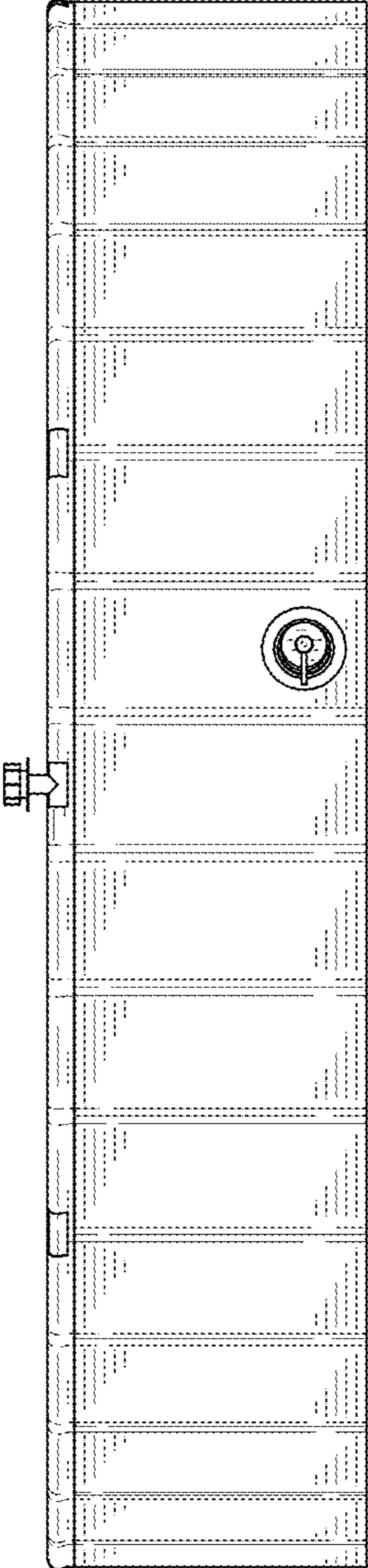


FIG. 4

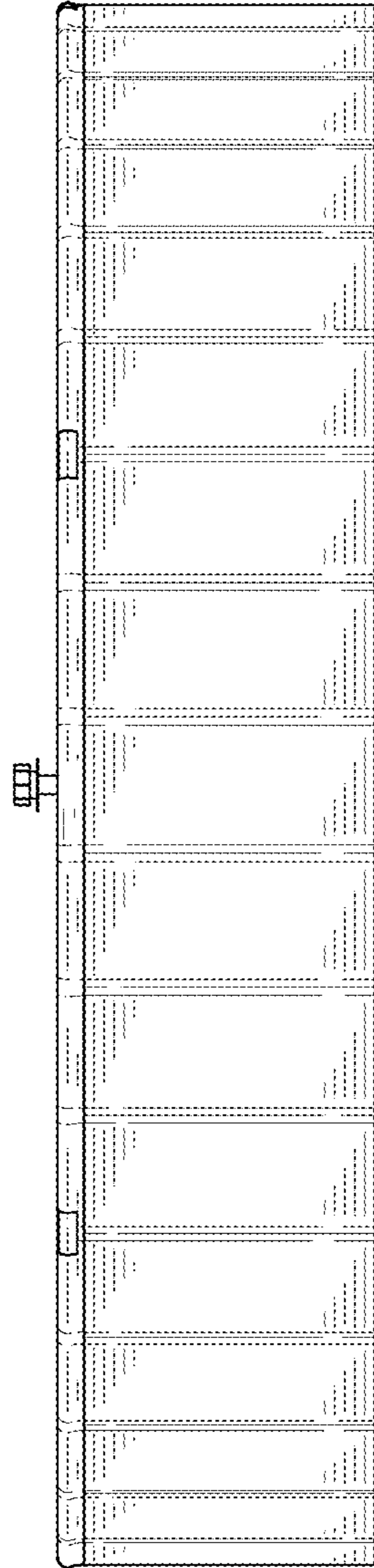


FIG. 5

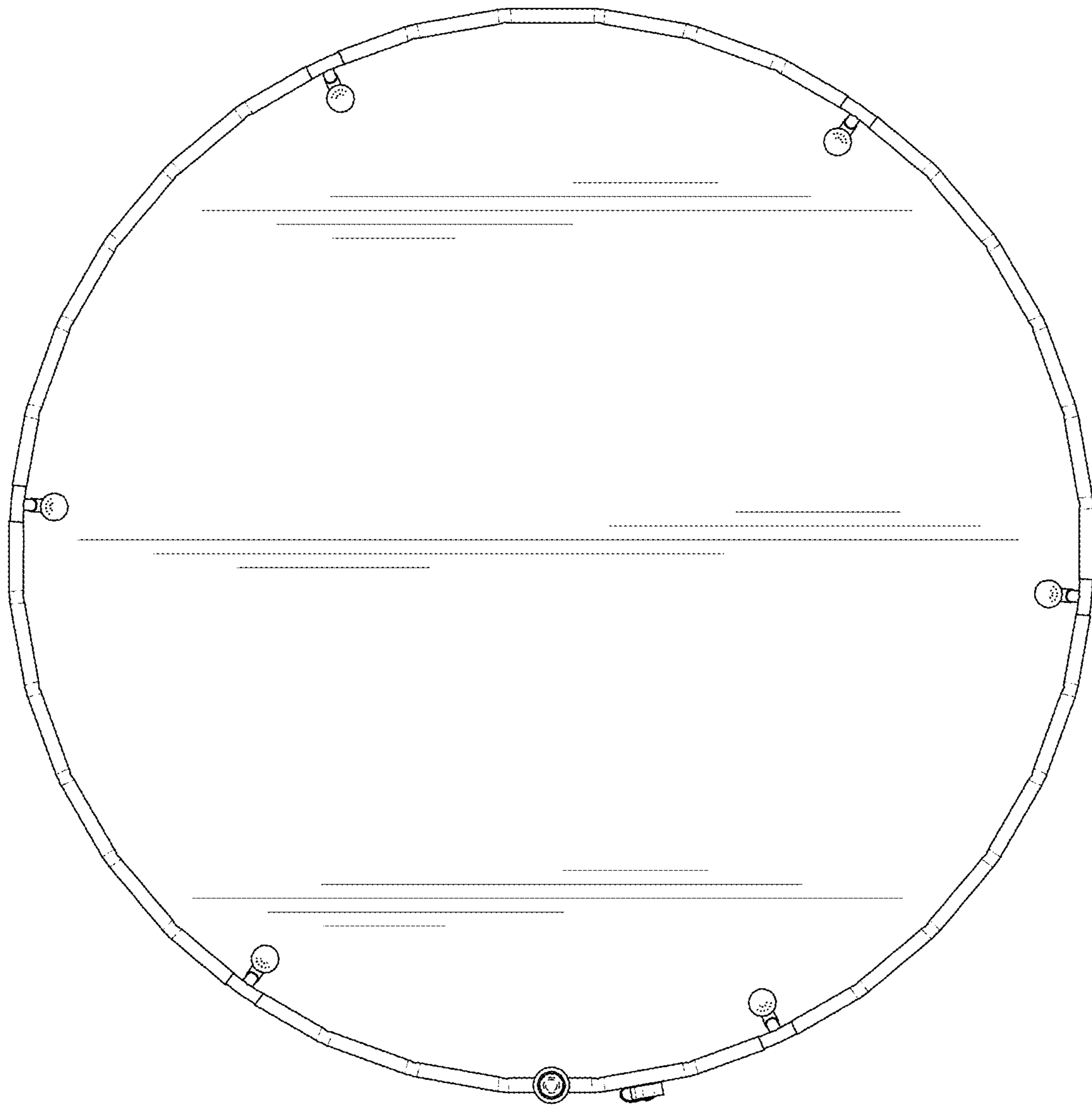


FIG. 6

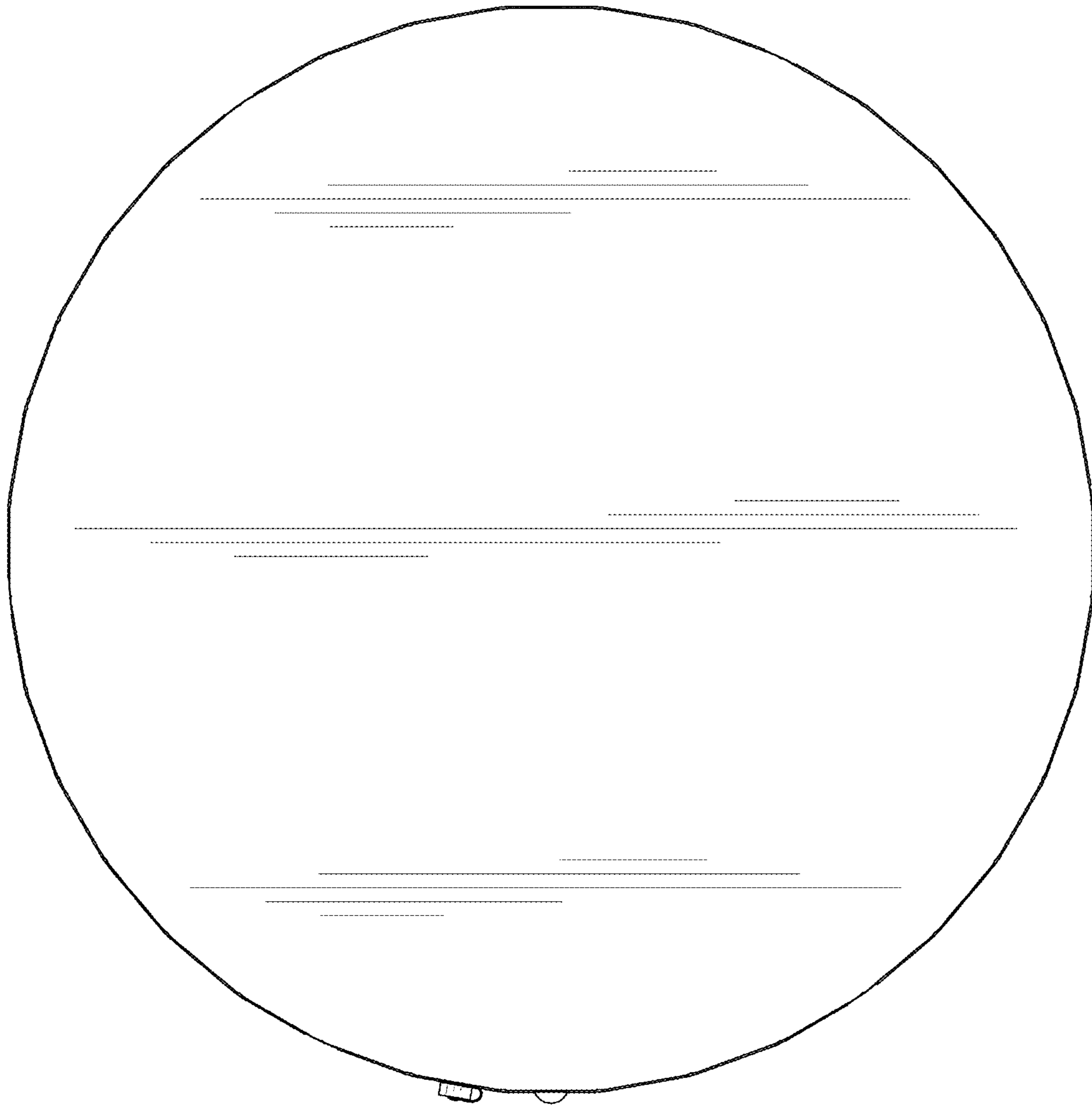


FIG. 7



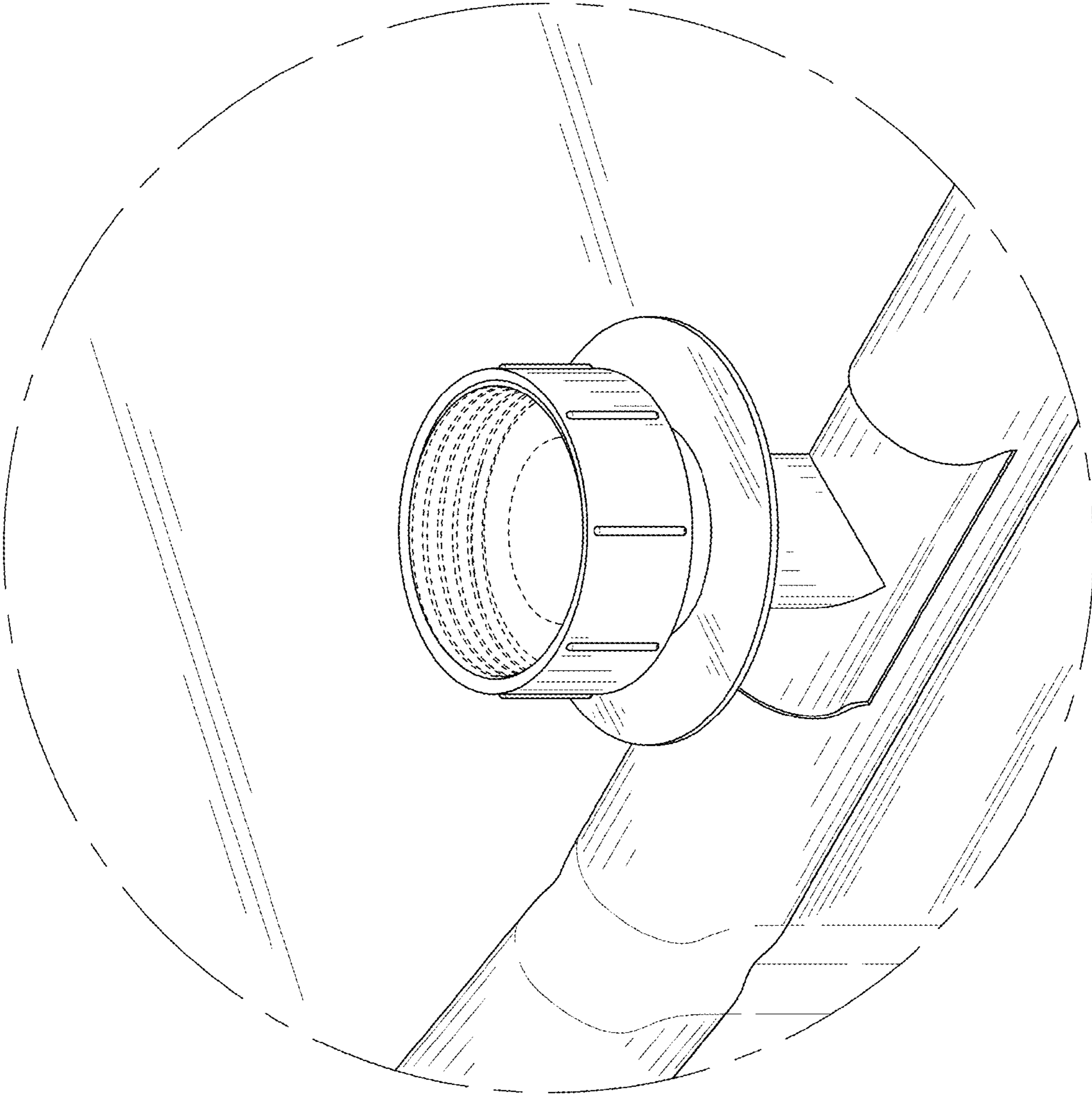


FIG. 8

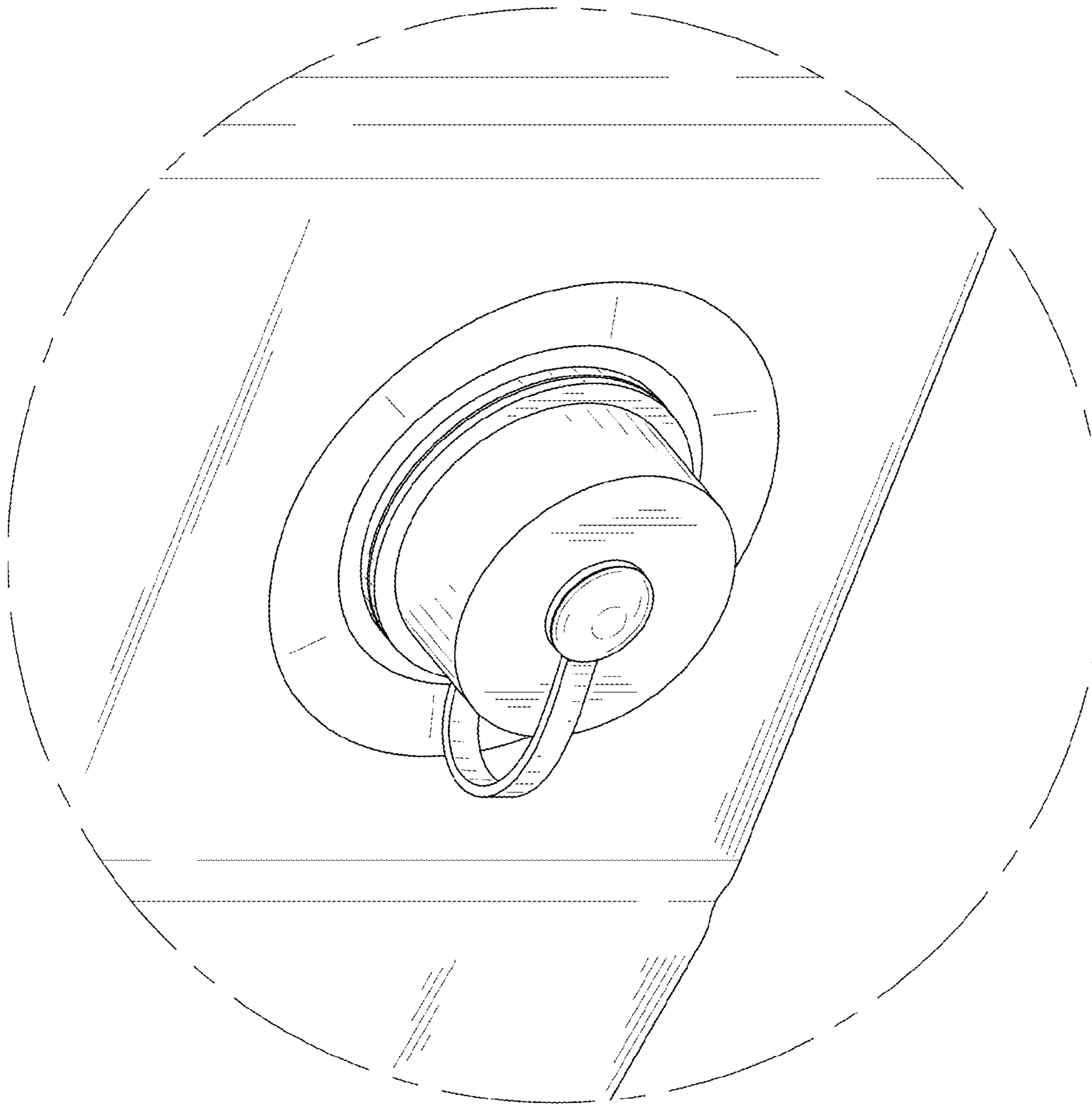


FIG. 9

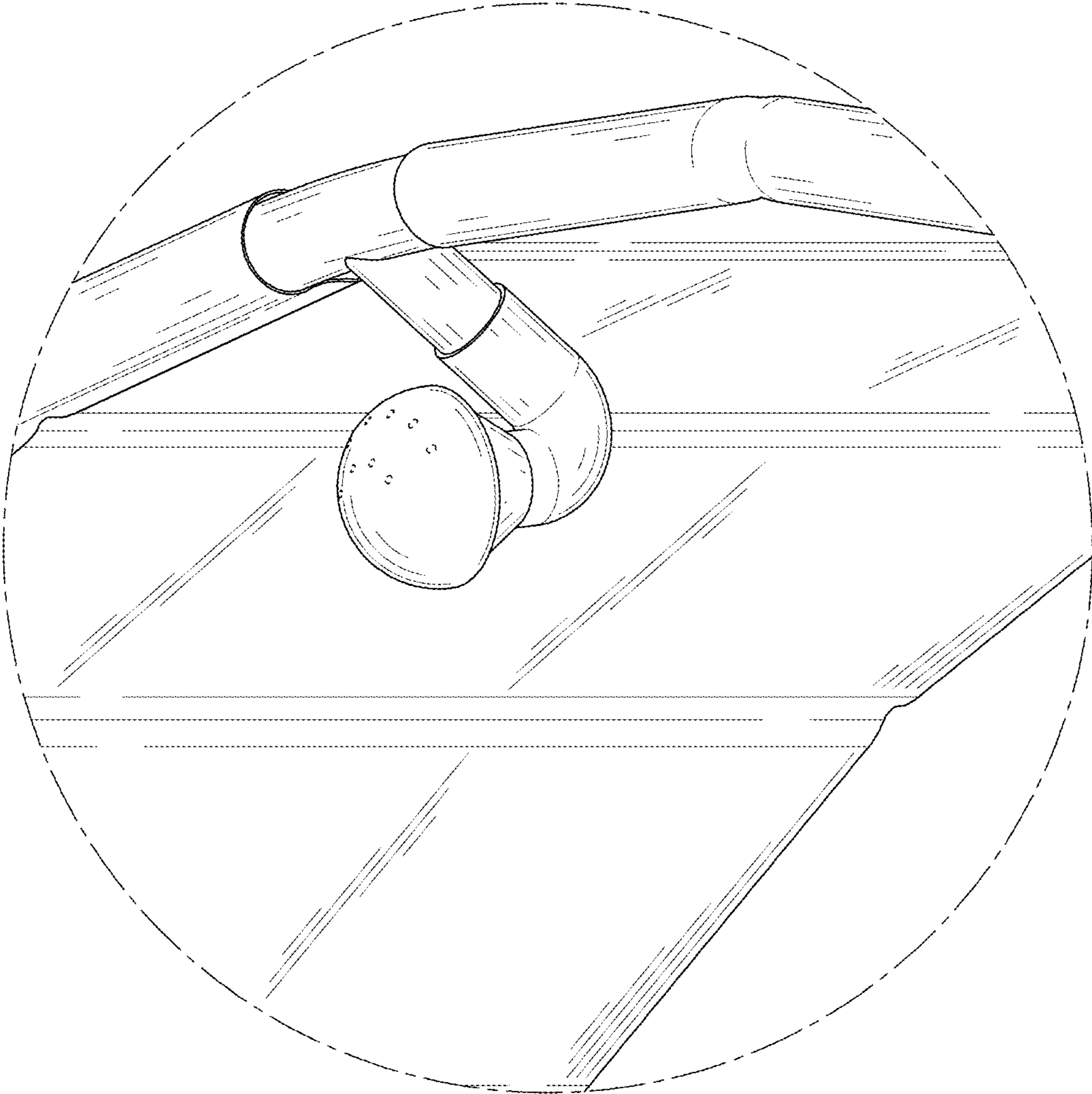


FIG. 10