



US00D973225S

(12) **United States Design Patent**
Tompkin

(10) **Patent No.:** **US D973,225 S**

(45) **Date of Patent:** **** Dec. 20, 2022**

- (54) **WHITE NOISE MACHINE**
- (71) Applicant: **Merchsource, LLC**, Irvine, CA (US)
- (72) Inventor: **Crispian Tompkin**, Los Angeles, CA (US)
- (73) Assignee: **MerchSource, LLC**, Irvine, CA (US)
- (**) Term: **15 Years**
- (21) Appl. No.: **29/774,997**
- (22) Filed: **Mar. 19, 2021**
- (51) **LOC (13) Cl.** **24-99**
- (52) **U.S. Cl.**
USPC **D24/231**; D14/216
- (58) **Field of Classification Search**
USPC D24/231; D14/299, 496, 216; D23/366;
D10/116.1; D11/131; D19/93; D34/2;
D30/121, 132; 116/148; 428/11
CPC H04R 1/02; H04R 9/06; G10K 11/1785;
G10K 11/178; G10L 19/012
See application file for complete search history.

- D692,411 S * 10/2013 Joseph D14/215
- D692,547 S * 10/2013 Wirz D23/366
- D696,892 S * 1/2014 Bretillot D7/300.1
- D731,465 S * 6/2015 Khubani D14/216

(Continued)

FOREIGN PATENT DOCUMENTS

- CN 307125347 * 2/2022
- CN 307293459 * 4/2022

(Continued)

Primary Examiner — Paula Allen Greene

(74) *Attorney, Agent, or Firm* — Avyno Law P.C.

(57) **CLAIM**

I claim the ornamental design for a white noise machine, as shown and described.

DESCRIPTION

FIG. 1 is a front perspective view of a white noise machine of the present invention.

FIG. 2 is a bottom, rear perspective view of the white noise machine of FIG. 1.

FIG. 3 is a side elevation view of the left side of the white noise machine of FIG. 1.

FIG. 4 is a side elevation view of the right side of the white noise machine of FIG. 1.

FIG. 5 is a front elevation view of the white noise machine of FIG. 1.

FIG. 6 is a rear elevation view of the white noise machine of FIG. 1.

FIG. 7 is a top plan view of the white noise machine of FIG. 1; and,

FIG. 8 is a bottom plan view of the white noise machine of FIG. 1.

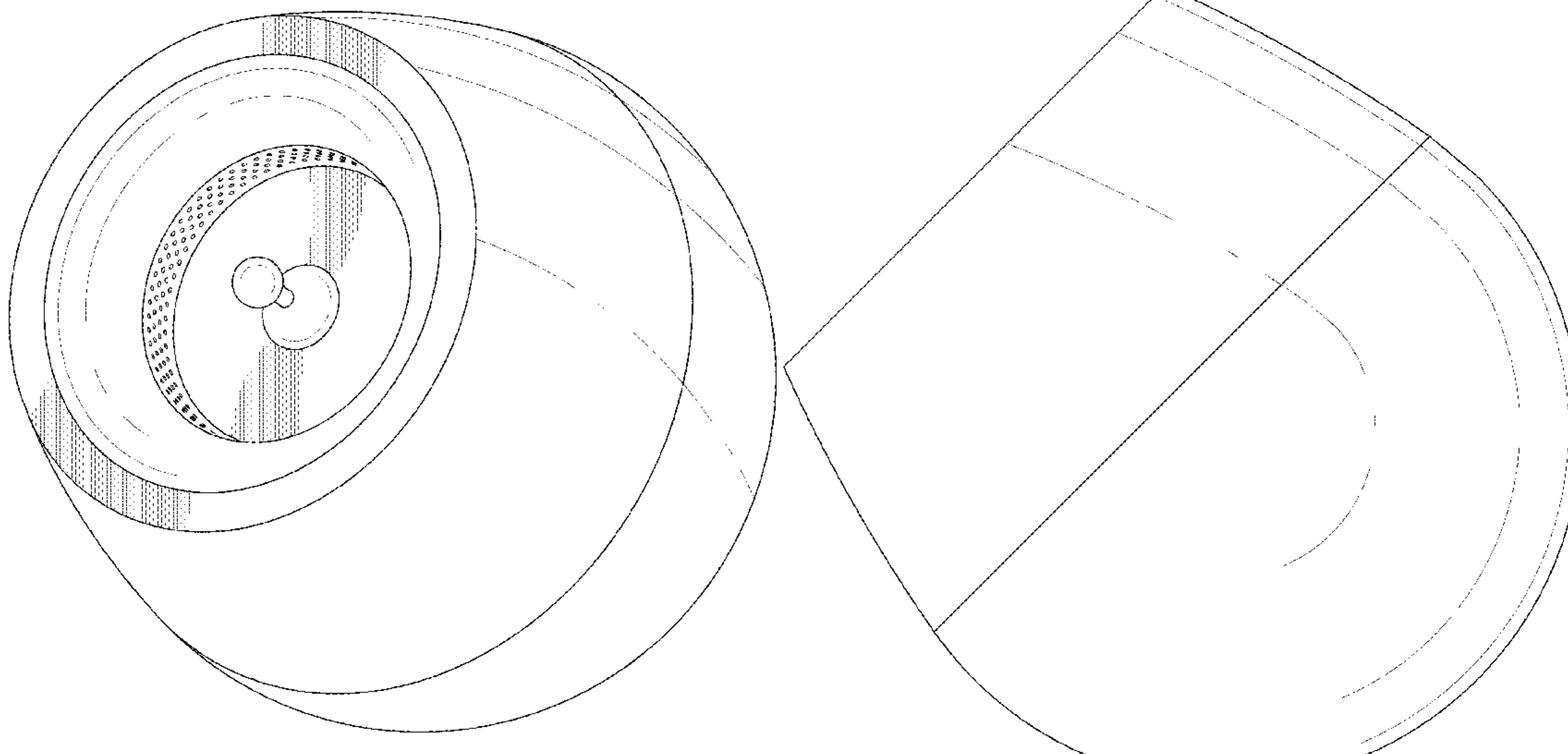
In the drawings, the broken lines depict portions of the white noise machine that form no part of the claimed design.

1 Claim, 8 Drawing Sheets

(56) **References Cited**

U.S. PATENT DOCUMENTS

- 1,253,662 A * 1/1918 Adams G10K 3/00
116/148
- 3,121,220 A * 2/1964 Buckwalter A61M 21/00
340/404.2
- D311,065 S * 10/1990 Theisen D24/231
- D372,249 S * 7/1996 Pinchuk D14/299
- D381,019 S * 7/1997 Muller D24/231
- D399,320 S * 10/1998 Barbeau D24/231
- D465,484 S * 11/2002 Christianson D14/299
- D613,844 S * 4/2010 Jorgensen D23/366
- D636,760 S * 4/2011 Cheng D14/216
- 7,992,801 B2 * 8/2011 Jorgensen A61L 9/03
239/289
- 8,096,266 B2 * 1/2012 Rowe A01K 7/00
119/74
- D691,587 S * 10/2013 Ferber D14/216



(56)

References Cited

U.S. PATENT DOCUMENTS

D735,314 S * 7/2015 Benamor D23/366
 D772,391 S * 11/2016 Zimmerli D23/366
 D822,716 S * 7/2018 Mangum D14/496
 D828,332 S * 9/2018 Hu D14/216
 D835,600 S * 12/2018 Weiss D14/204
 D838,255 S * 1/2019 Wang D14/204
 10,165,753 B1 * 1/2019 Huang A01K 7/02
 D847,373 S * 4/2019 Hurwit D24/231
 D862,730 S * 10/2019 Hu D24/231
 D862,731 S * 10/2019 Hu D24/231
 D865,716 S * 11/2019 Kuang D14/216
 D868,031 S * 11/2019 Ryu D14/216
 D872,301 S * 1/2020 Tanner D24/231
 D883,329 S * 5/2020 Shi D14/496
 D885,436 S * 5/2020 Mangum D14/496
 D888,688 S * 6/2020 Xie D14/216
 D894,963 S * 9/2020 Li D24/231
 D900,788 S * 11/2020 Wang D14/216
 D905,011 S * 12/2020 Chen D14/214
 D920,538 S * 5/2021 Zhang D24/231
 D935,641 S * 11/2021 Zhou D24/231
 D937,436 S * 11/2021 He D24/231
 D946,168 S * 3/2022 Zhao D24/231
 D961,550 S * 8/2022 Weiss D14/216
 2008/0279731 A1 * 11/2008 Goreham A61L 9/037
 422/123
 2019/0172439 A1 * 6/2019 Dennis G10K 15/04
 2019/0348019 A1 * 11/2019 Lazar G10K 15/04

FOREIGN PATENT DOCUMENTS

CN 307396052 * 6/2022
 GB 6212282 * 6/2022

* cited by examiner

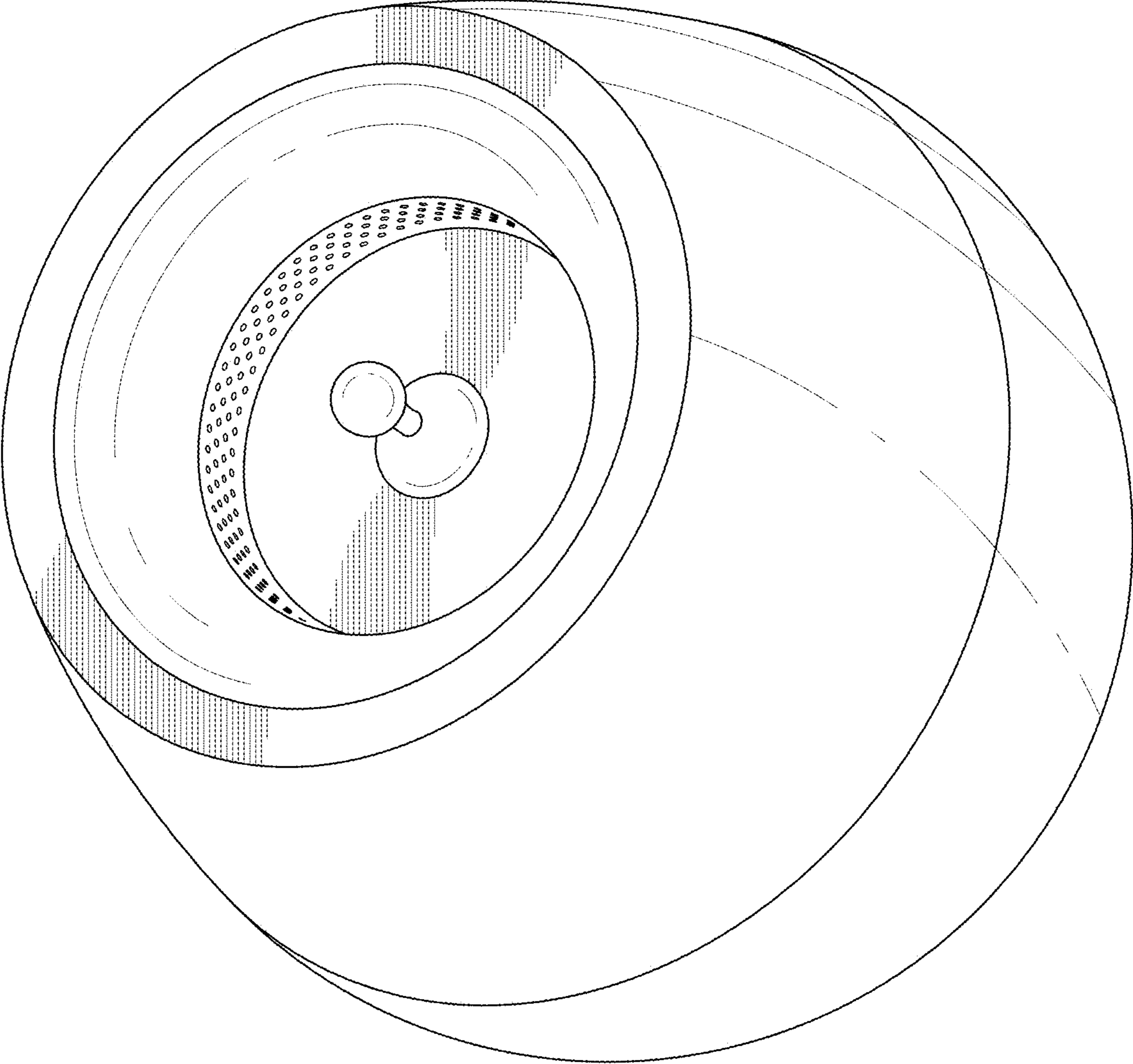


FIG. 1

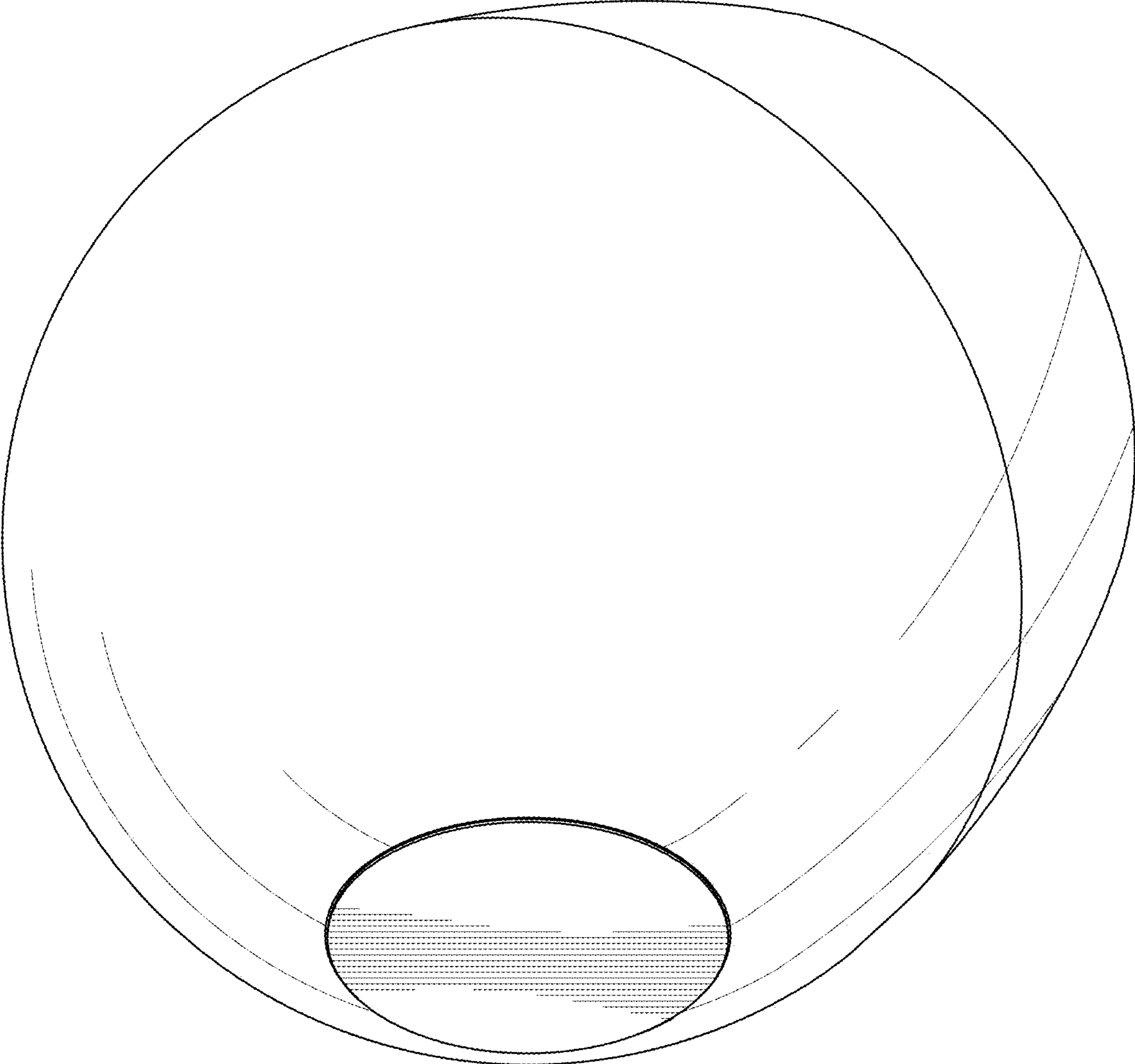


FIG. 2

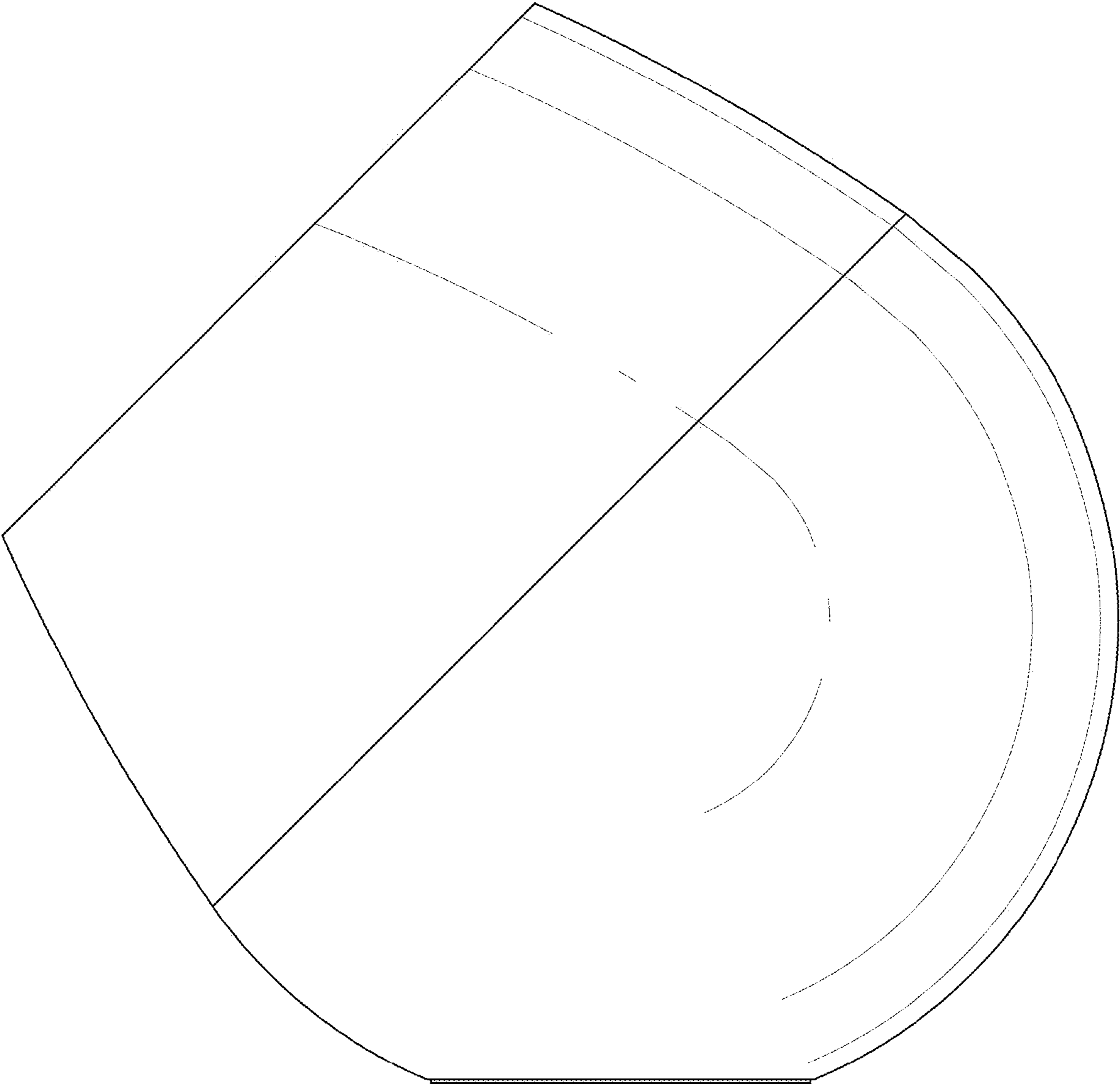


FIG. 3

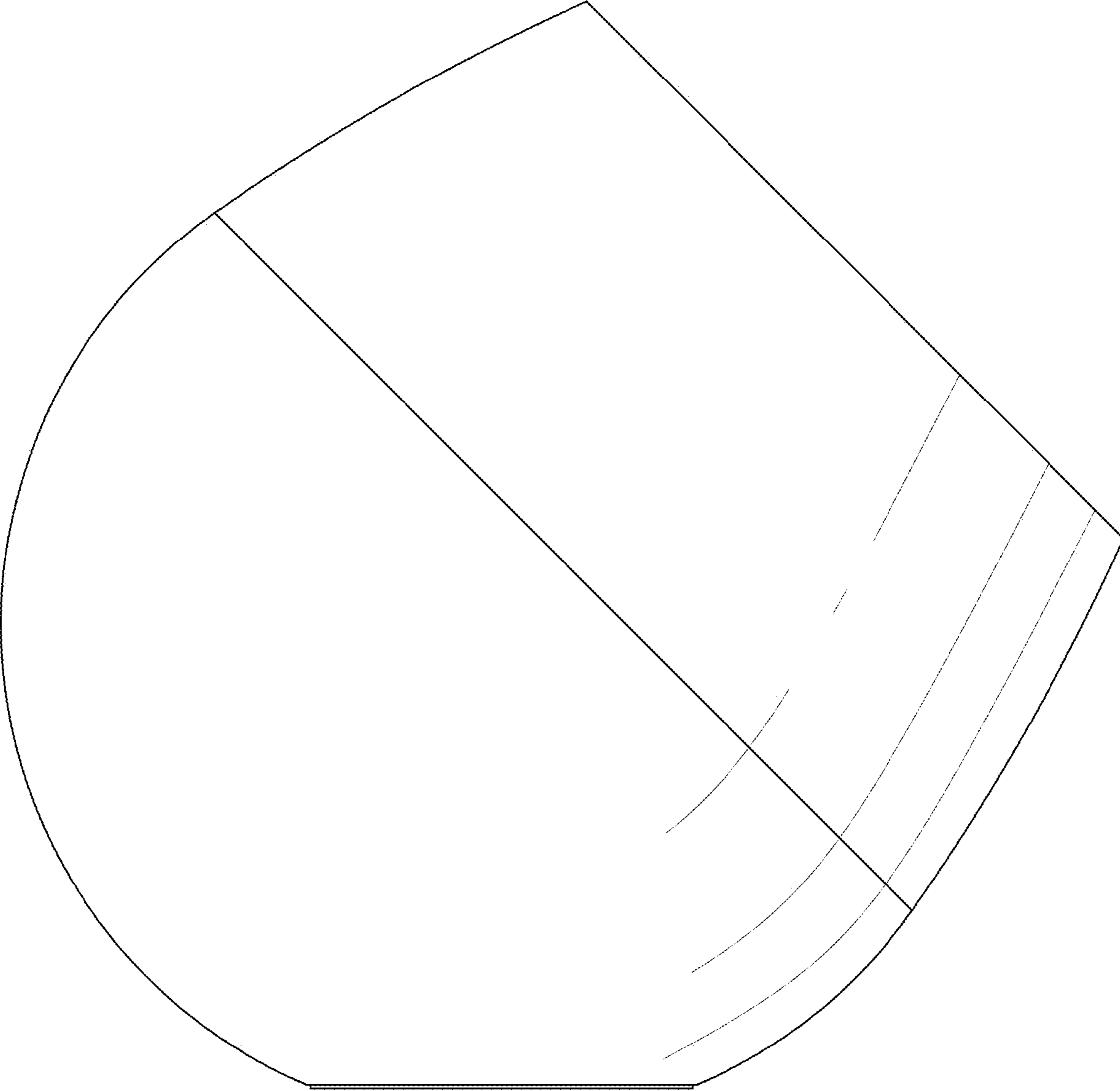


FIG. 4

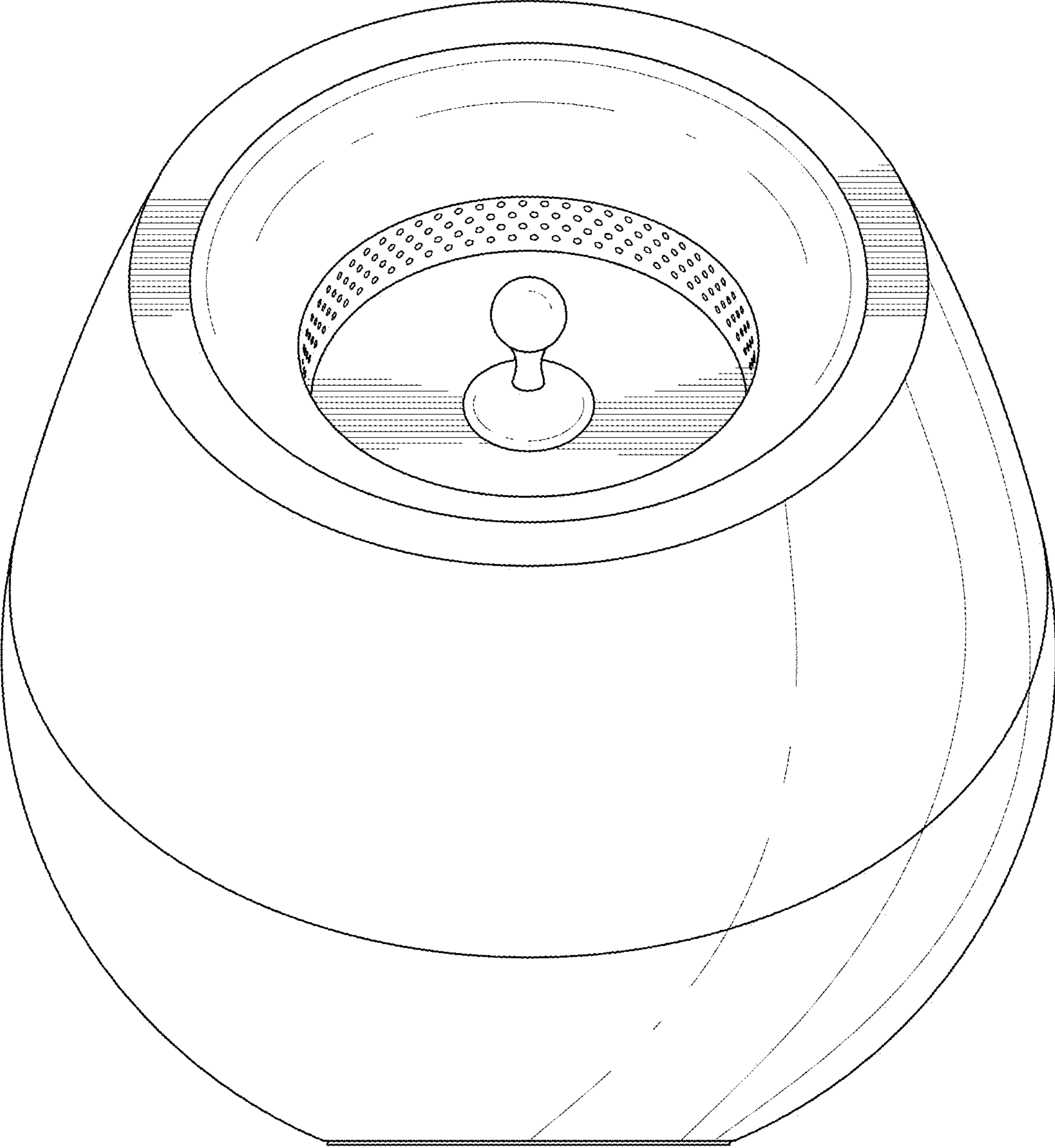


FIG. 5

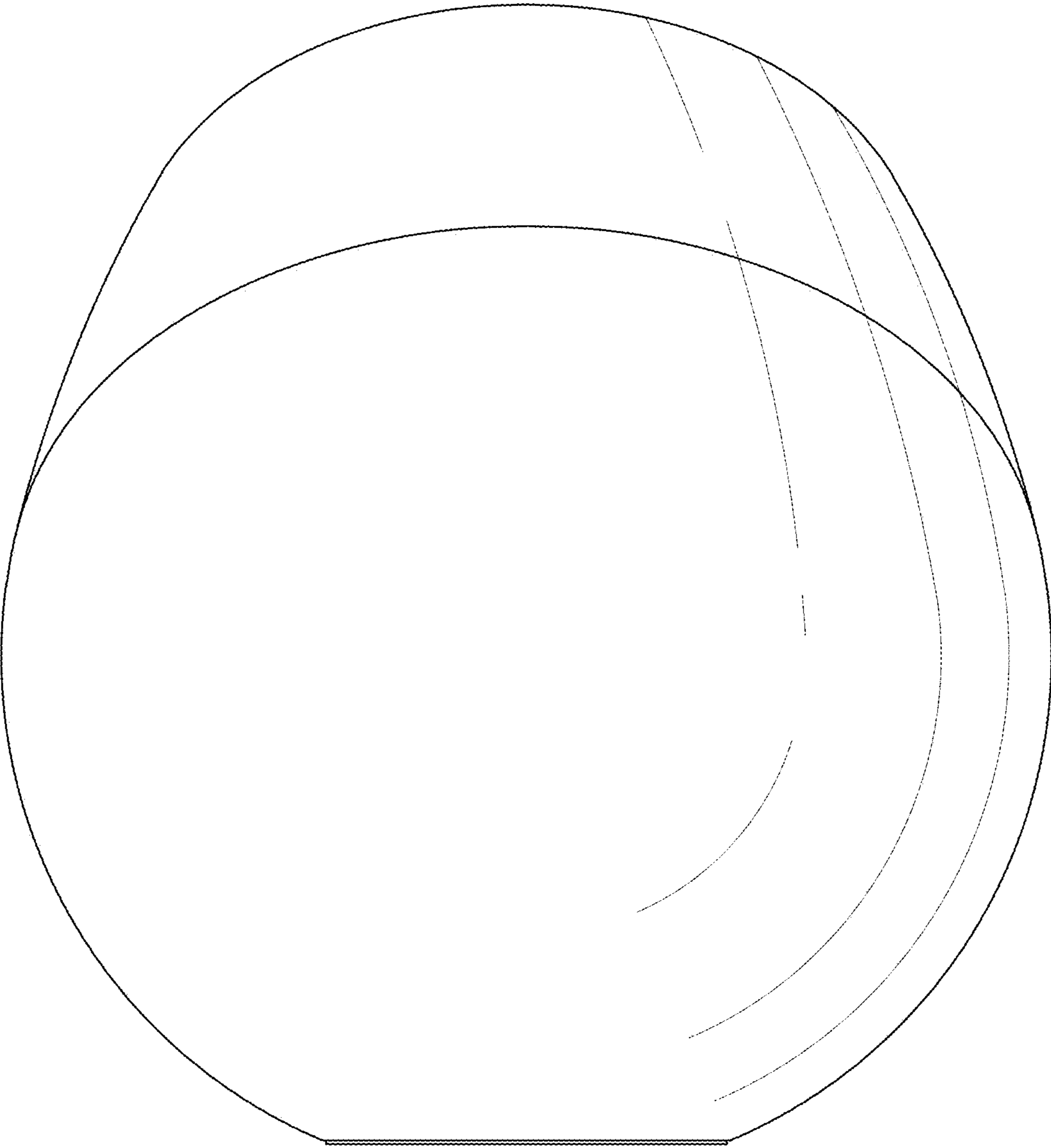


FIG. 6

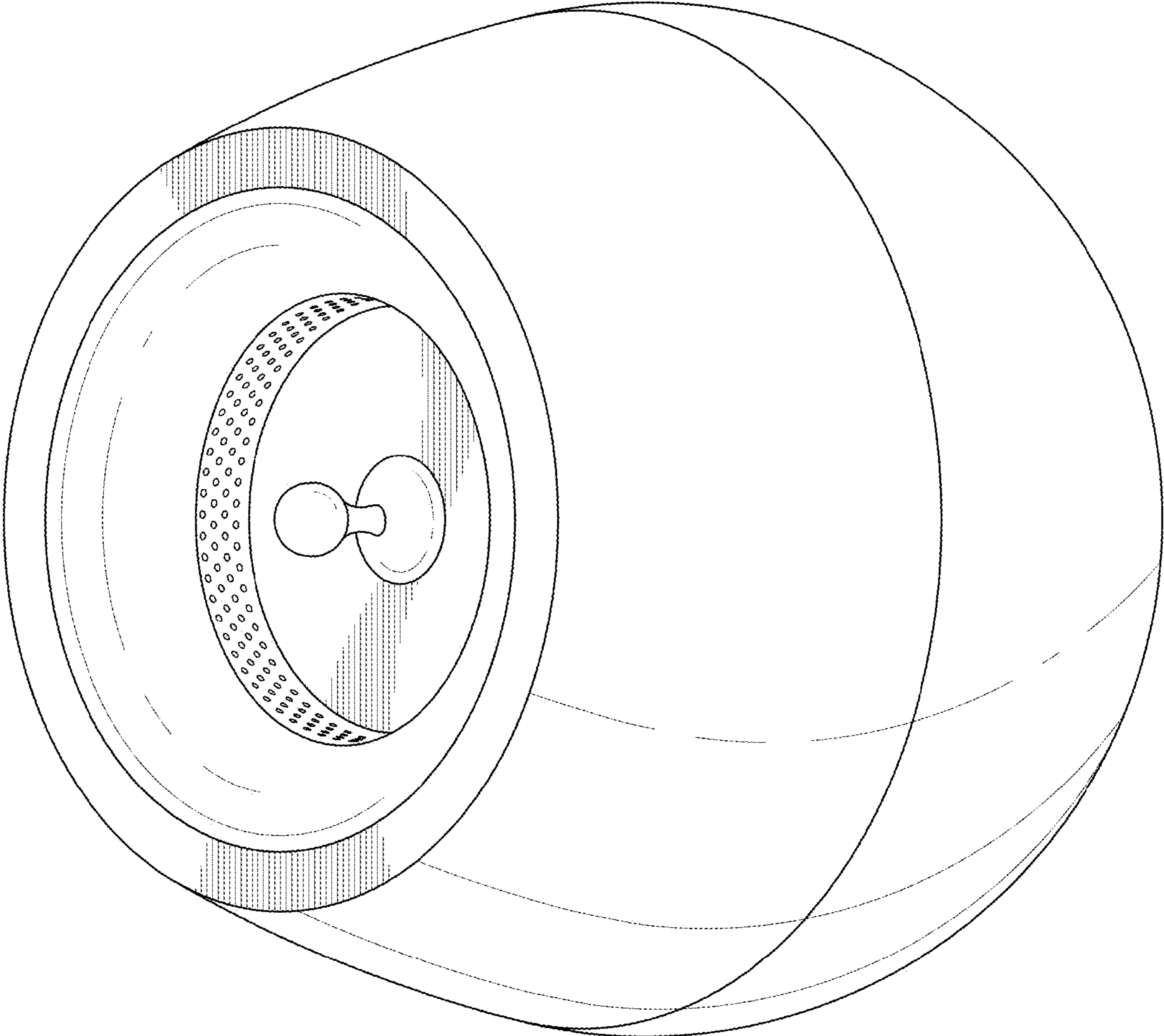


FIG. 7

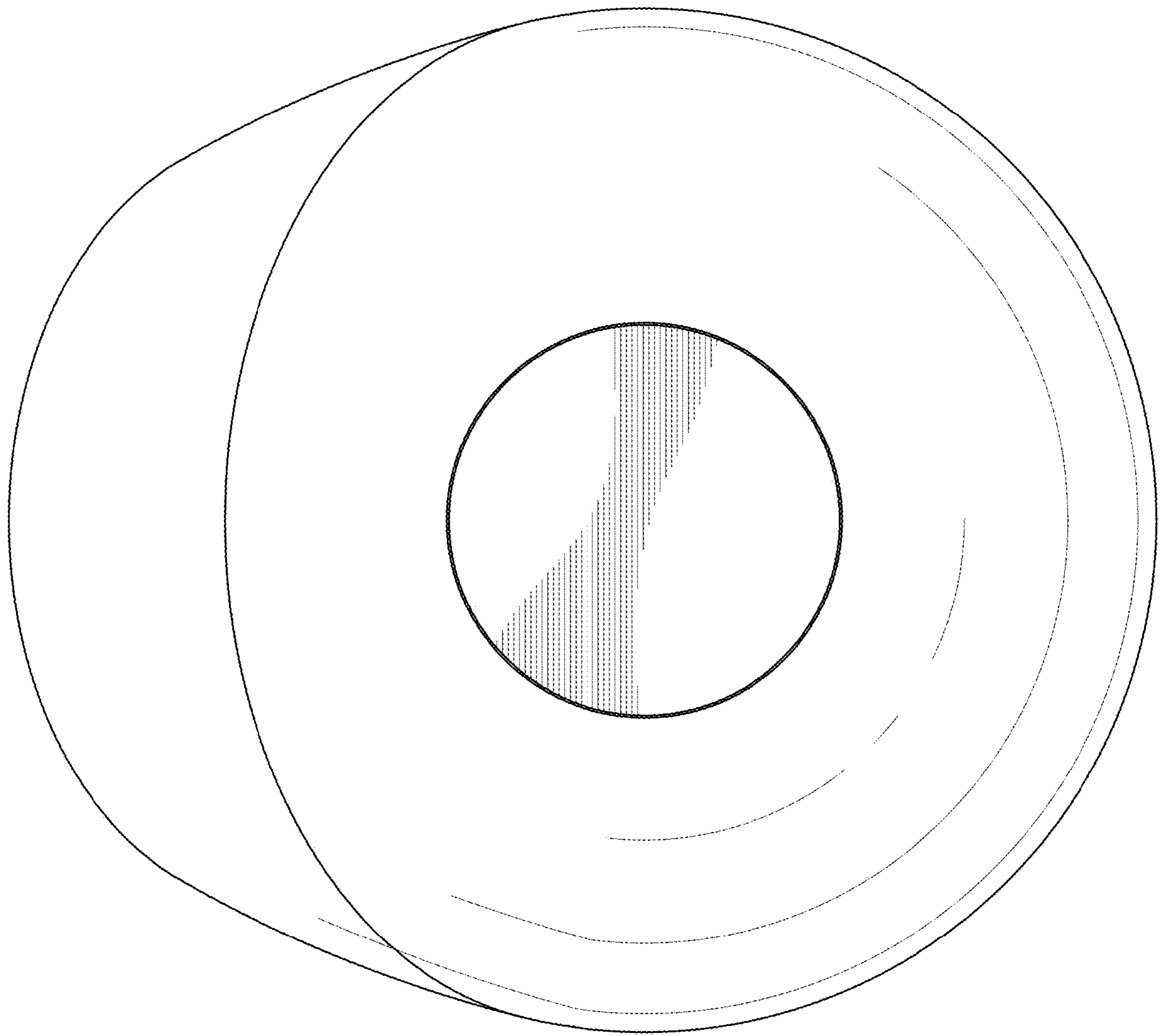


FIG. 8