



US00D973224S

(12) **United States Design Patent** (10) **Patent No.:** **US D973,224 S**
Neumann (45) **Date of Patent:** **** Dec. 20, 2022**

(54) **CONTAINER FOR MEDICAL USE**

39/1011; A61M 39/162; A61M 39/165;
A61M 39/18; A61M 39/20; A61M
2205/0216

(71) Applicant: **Peripal AG**, Zürich (CH)

See application file for complete search history.

(72) Inventor: **Sandra Neumann**, Zürich (CH)

(56) **References Cited**

(**) Term: **15 Years**

U.S. PATENT DOCUMENTS

(21) Appl. No.: **35/509,820**

D593,641 S *	6/2009	Plank	D23/259
D733,491 S *	7/2015	Gluck	D7/392.1
D744,276 S *	12/2015	Olin	D7/392.1
D747,138 S *	1/2016	Hakim	D7/396.2
D867,587 S *	11/2019	Holtz	D24/129
D884,475 S *	5/2020	Rapparini	D9/500
D886,609 S *	6/2020	Accurso	D9/454
D908,204 S *	1/2021	Casiello	D24/108
D914,908 S *	3/2021	Neumann	D24/224
D918,646 S *	5/2021	Ryu	D7/393
D946,167 S *	3/2022	Sydłowski	D24/224
D948,744 S *	4/2022	Ueyama	D24/224

(22) Filed: **Dec. 20, 2019**

(80) **Hague Agreement Data**

Int. Filing Date: **Dec. 20, 2019**
Int. Reg. No.: **DM/209120**
Int. Reg. Date: **Dec. 20, 2019**
Int. Reg. Pub. Date: **Jul. 17, 2020**

* cited by examiner

(30) **Foreign Application Priority Data**

Jun. 25, 2019 (DE) 40 2019 100 688.5

Primary Examiner — Darcey E Gottschalk

(51) **LOC (13) Cl.** **24-02**

(74) *Attorney, Agent, or Firm* — JMB Davis Ben-David

(52) **U.S. Cl.**
USPC **D24/224**

(57) **CLAIM**

The ornamental design for a container for medical use, as shown and described.

(58) **Field of Classification Search**

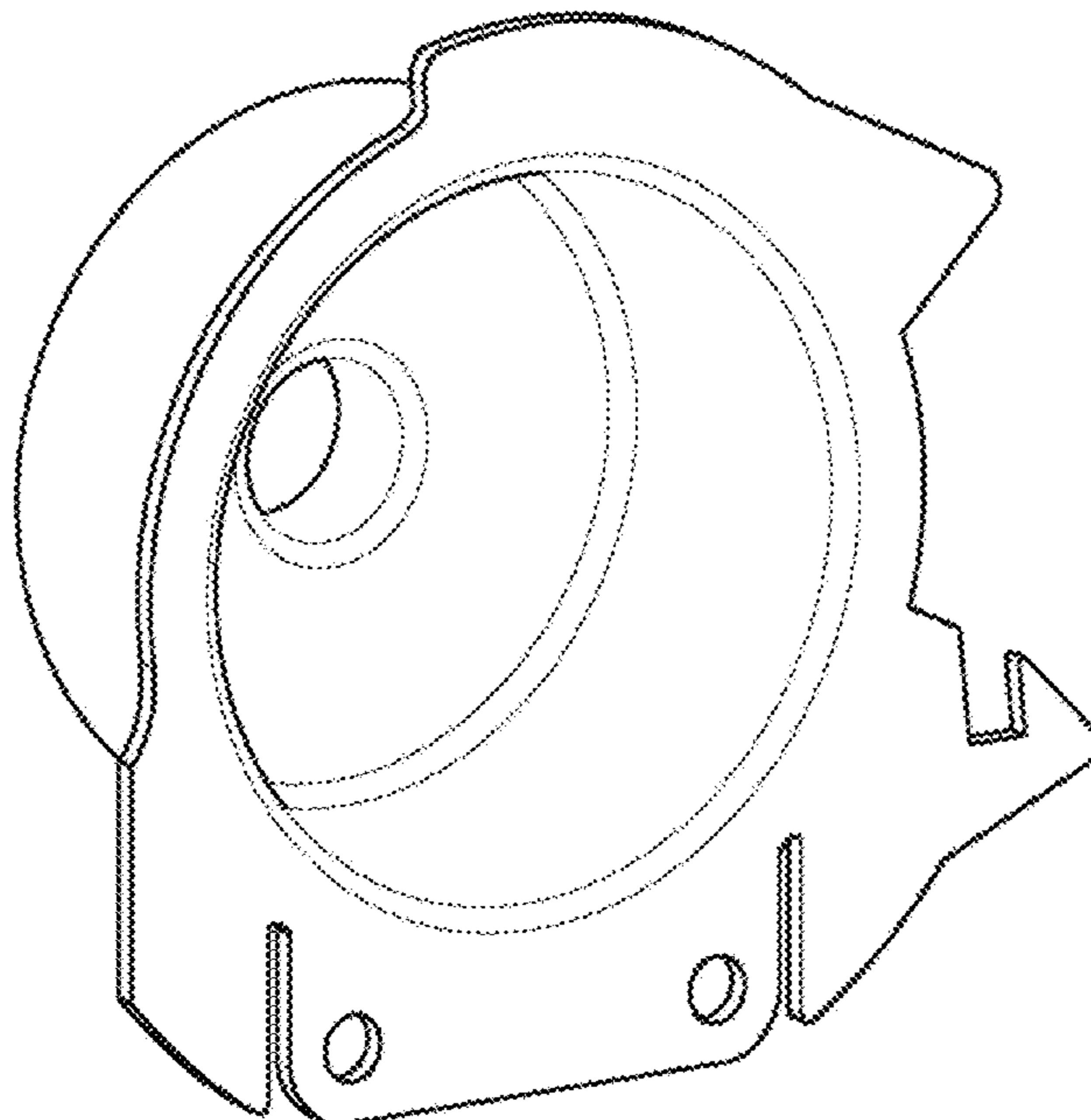
USPC D7/321, 387, 392, 392.1, 392.2, 393,
D7/396.2, 296.3, 296.4, 401.1, 507,
D7/509-511, 538, 589, 590, 900;
D9/500-505, 516, 519, 521-526, 529,
D9/530, 535, 537-546, 549-575, 682,
D9/694, 723-729; D23/259-261;
D24/107, 108, 121-123, 128, 129, 197,
D24/199, 207, 216, 224, 229, 230
CPC A61M 2039/087; A61M 2039/1066; A61M
2039/1072; A61M 2039/1077; A61M
2039/1033; A61M 2039/224; A61M

DESCRIPTION

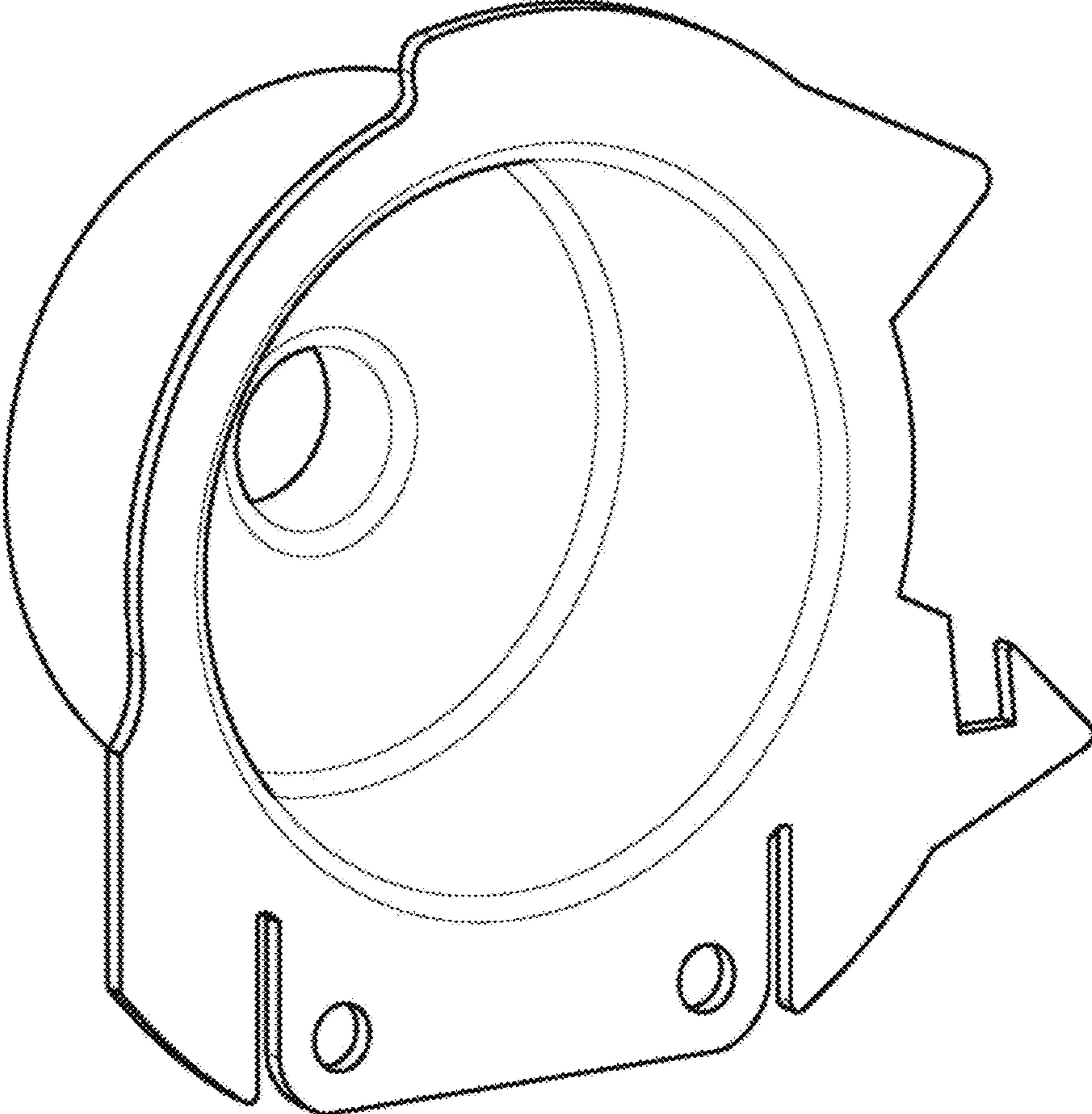
- 1. Container for medical use
- 1.1 Front Perspective
- 1.2 Back
- 1.3 Left
- 1.4 Right
- 1.5 Front

The broken line showing of the container for medical use is for the purpose of illustrating a breaking point and forms no part of the claimed design.

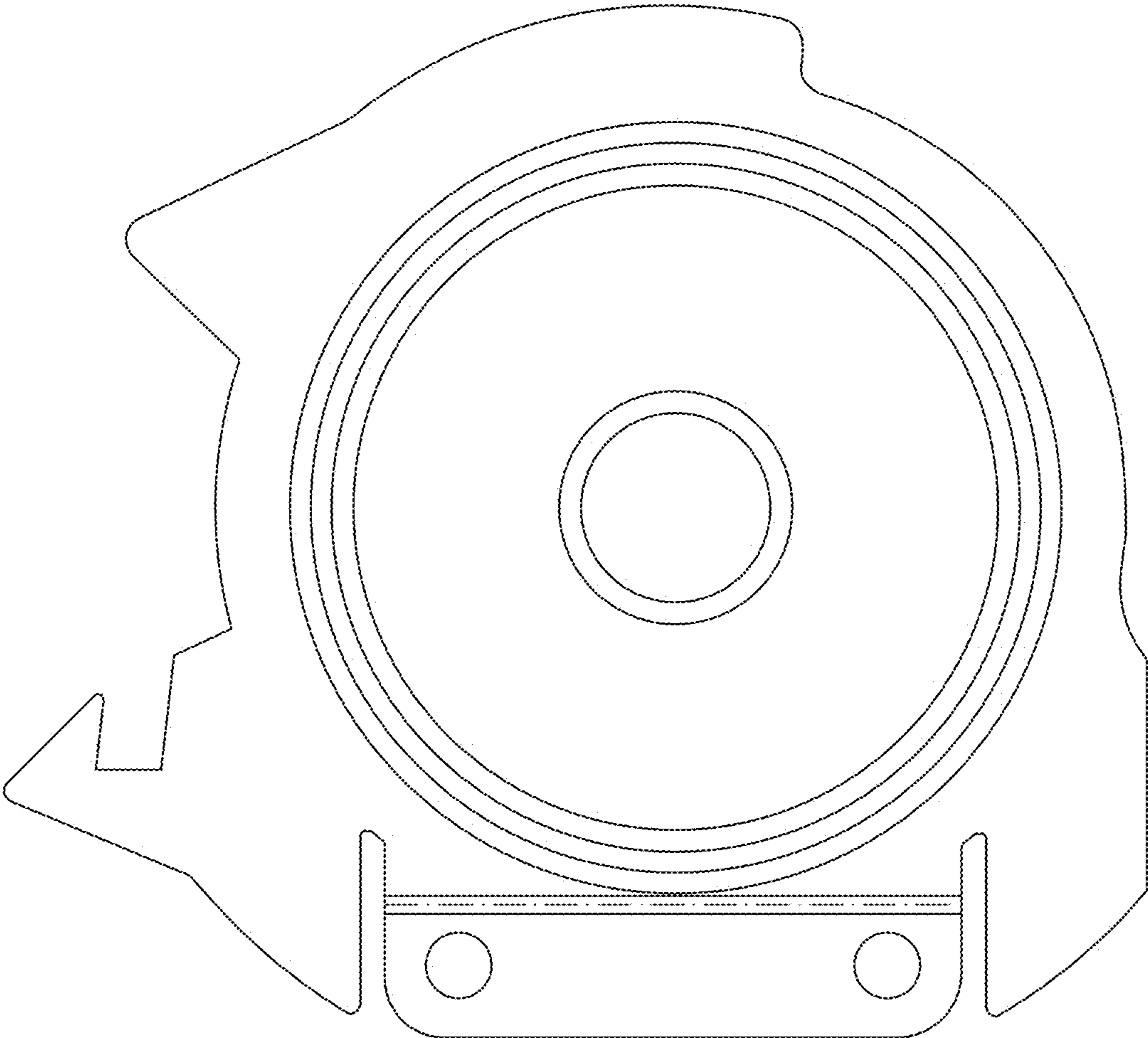
1 Claim, 5 Drawing Sheets



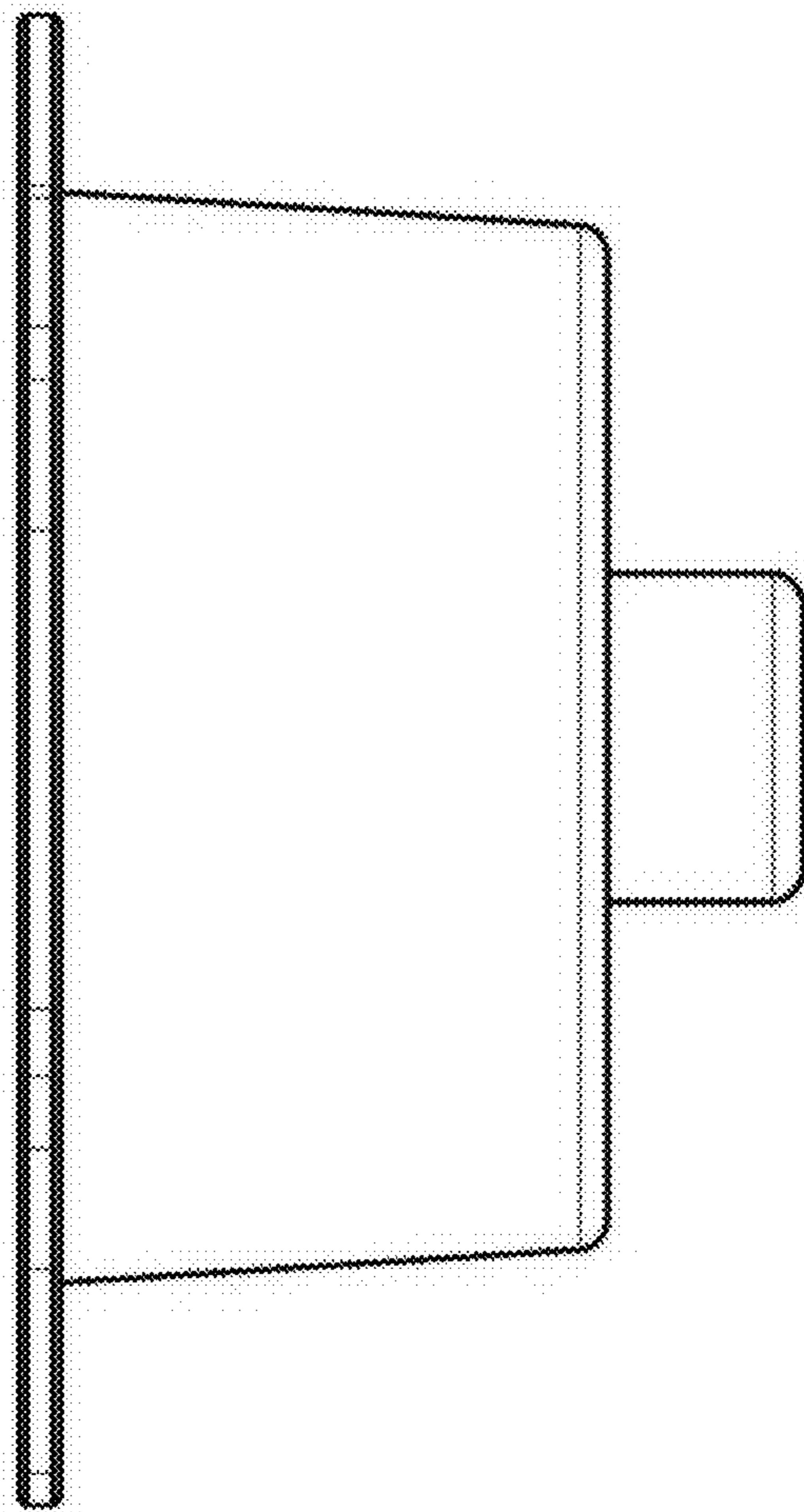
1.1



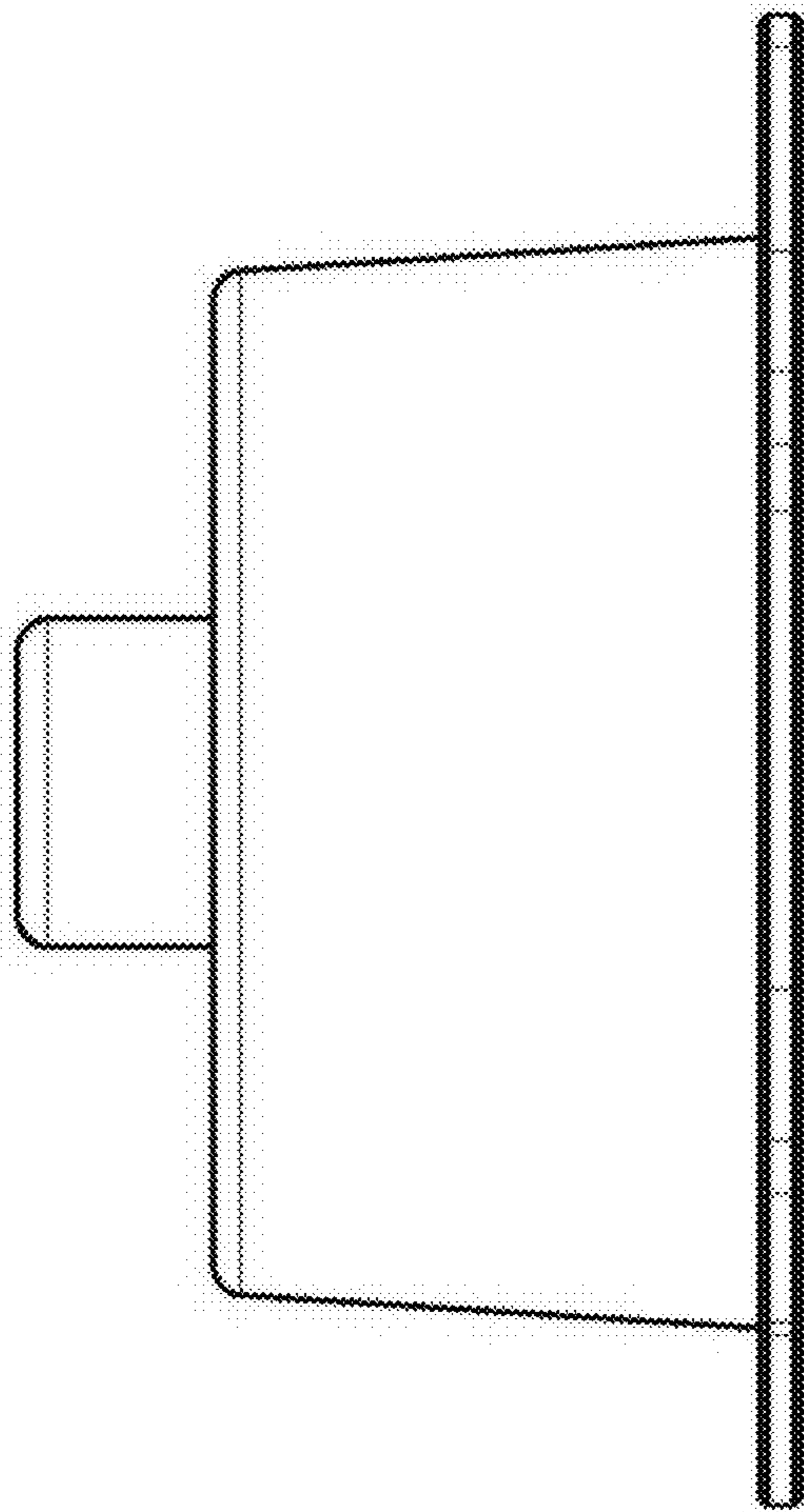
1.2



1.3



1.4



1.5

