



US00D973223S

(12) **United States Design Patent**
Li

(10) **Patent No.:** **US D973,223 S**
(45) **Date of Patent:** **** Dec. 20, 2022**

- (54) **VIBRATOR**
- (71) Applicant: **Huangshan Mengtian Shenzhou Network Technology Co., Ltd., Huangshan (CN)**
- (72) Inventor: **Xiaohuan Li, Xingtai (CN)**
- (73) Assignee: **Huangshan Mengtian Shenzhou Network Technology Co., Ltd., Huangshan (CN)**
- (**) Term: **15 Years**
- (21) Appl. No.: **29/832,704**
- (22) Filed: **Mar. 29, 2022**
- (51) **LOC (13) Cl.** **28-03**
- (52) **U.S. Cl.**
USPC **D24/215**
- (58) **Field of Classification Search**
USPC D24/200, 211, 212, 213, 214, 215;
D30/160; D14/228
CPC A61H 19/00; A61H 19/32; A61H 19/34;
A61H 19/50; A61H 19/30
See application file for complete search history.

D600,357 S *	9/2009	Chaput	D24/214
D649,656 S *	11/2011	Petersen	D24/215
D674,109 S *	1/2013	Sedic	D24/215
D740,433 S *	10/2015	Zhu	A61H 15/0085
				D24/215
D802,784 S *	11/2017	Lee	D24/215
D823,477 S *	7/2018	Yang	D24/215
D826,418 S *	8/2018	Lad	D24/215
D840,548 S *	2/2019	Page et al.		
D844,801 S *	4/2019	Cheung	D24/215
D865,989 S *	11/2019	Colclough	D24/215
D874,676 S *	2/2020	Song	D24/215
D905,861 S *	12/2020	Yang	D24/215
D905,864 S *	12/2020	Rhodes	D24/215
D912,839 S *	3/2021	Yang	D24/215
D914,228 S *	3/2021	Lin	D24/215
D926,334 S *	7/2021	Gawrychowski	D24/215
D926,337 S *	7/2021	Wang	D24/215
D949,398 S *	4/2022	Gawrychowski	D24/215
D949,399 S *	4/2022	Gawrychowski	D24/215
D956,993 S *	7/2022	Bouyounes	D24/215

* cited by examiner

Primary Examiner — Michael A Maharajh
(74) Attorney, Agent, or Firm — Jeenam Park

(57) **CLAIM**

The ornamental design for a vibrator, as shown and described.

DESCRIPTION

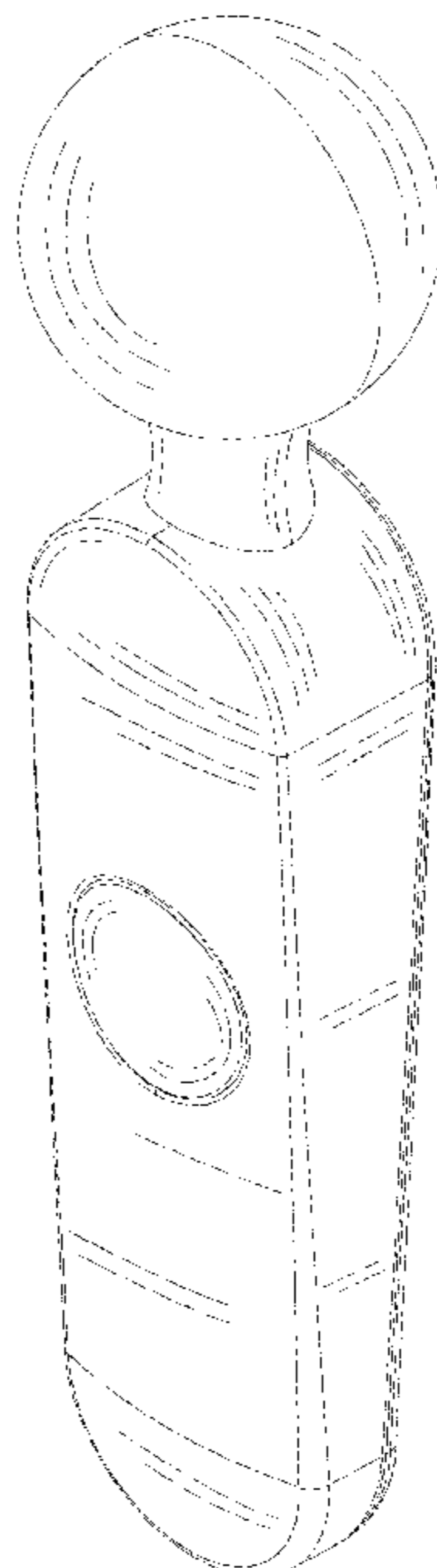
FIG. 1 is a perspective view of a vibrator, showing my new design;
FIG. 2 is a front view thereof;
FIG. 3 is a rear view thereof;
FIG. 4 is a left side view thereof;
FIG. 5 is a right side view thereof;
FIG. 6 is a top plan view thereof; and,
FIG. 7 is a bottom plan view thereof.

1 Claim, 7 Drawing Sheets

(56) **References Cited**

U.S. PATENT DOCUMENTS

D228,473 S *	9/1973	Koshido et al.	D24/214
D266,532 S *	10/1982	Grube	D24/211
D304,974 S *	12/1989	Heiligenstein	D24/215
D311,955 S *	11/1990	Lie	D24/214
D315,408 S *	3/1991	Duk	D24/214
D338,070 S *	8/1993	Lam	D24/214
D374,084 S *	9/1996	Chen	D24/214
D510,628 S *	10/2005	Talbot	D24/214
D553,253 S *	10/2007	Gayne		
D559,992 S *	1/2008	Potter	D24/214



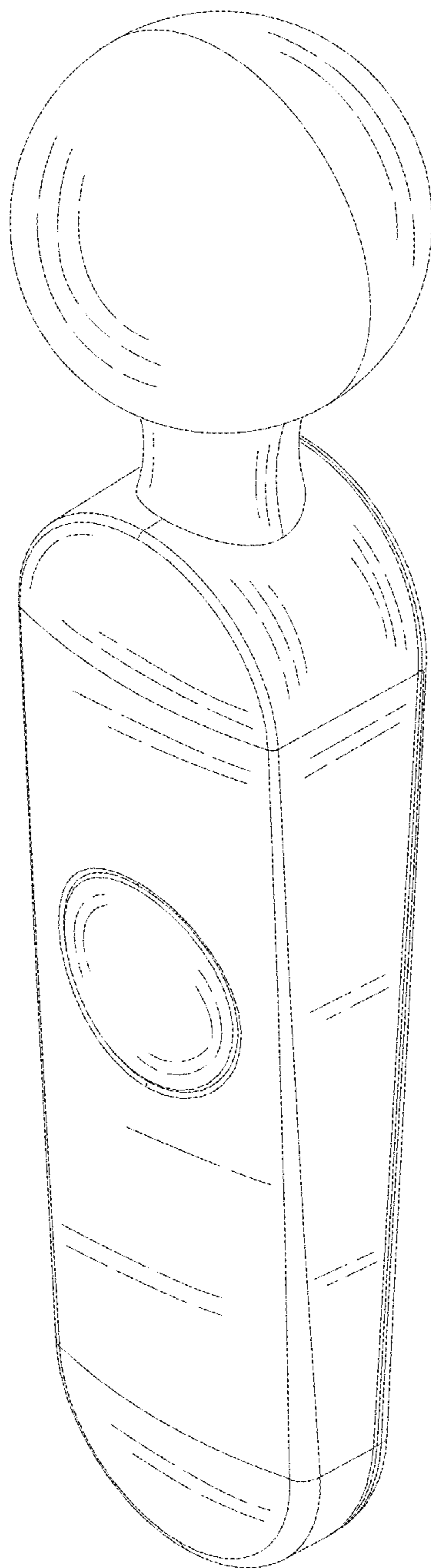


FIG. 1

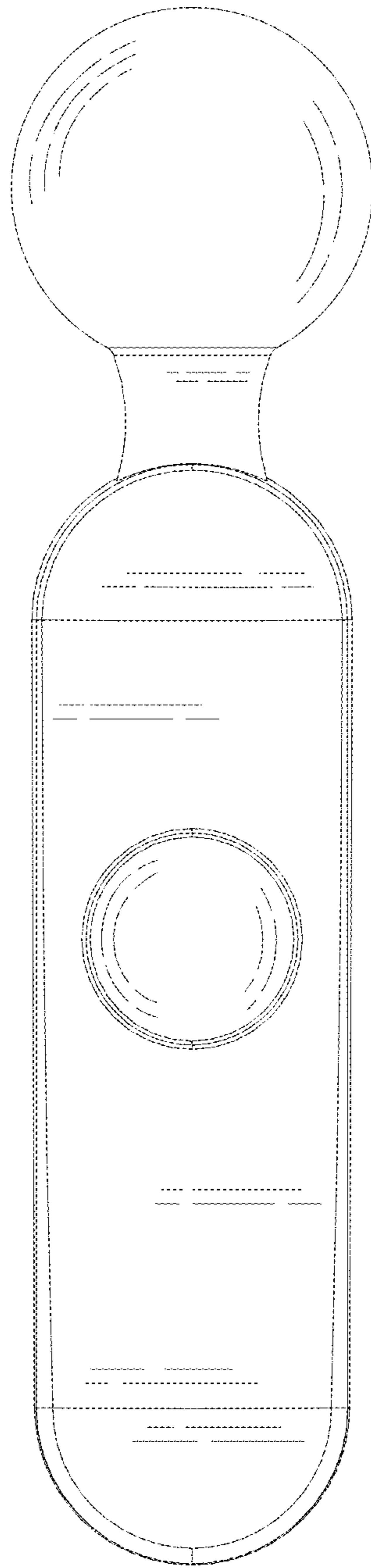


FIG. 2

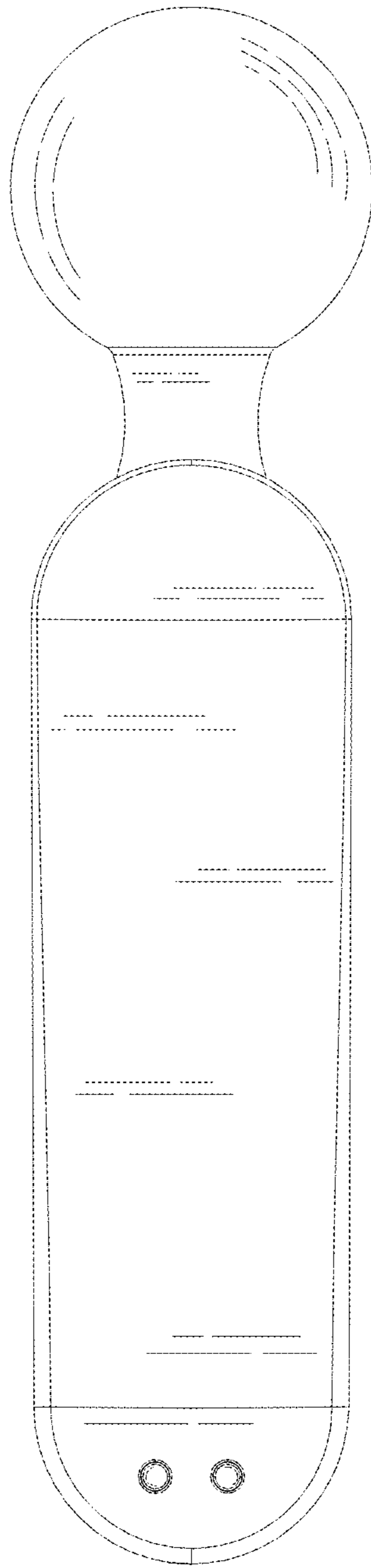


FIG. 3

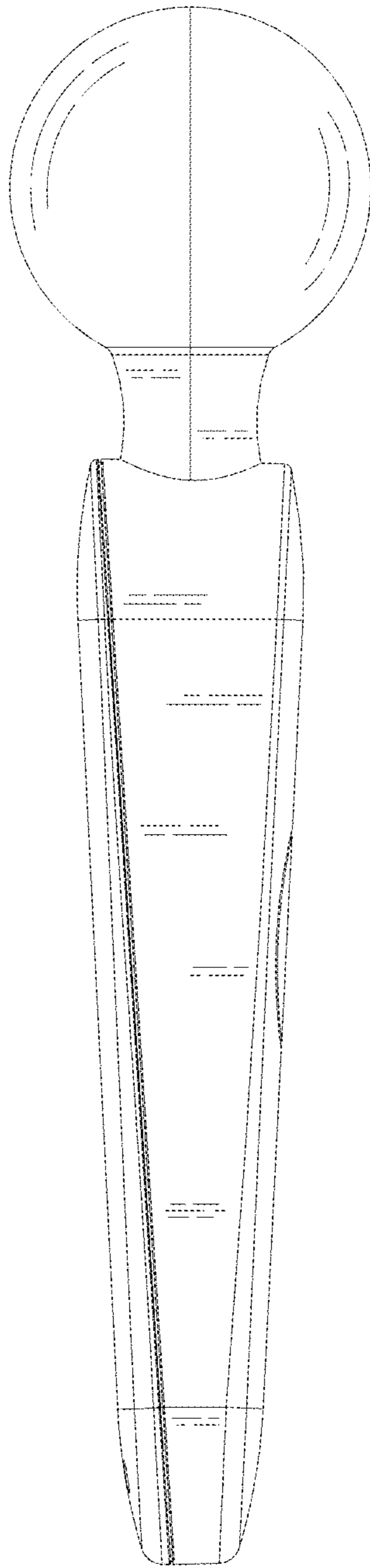


FIG. 4

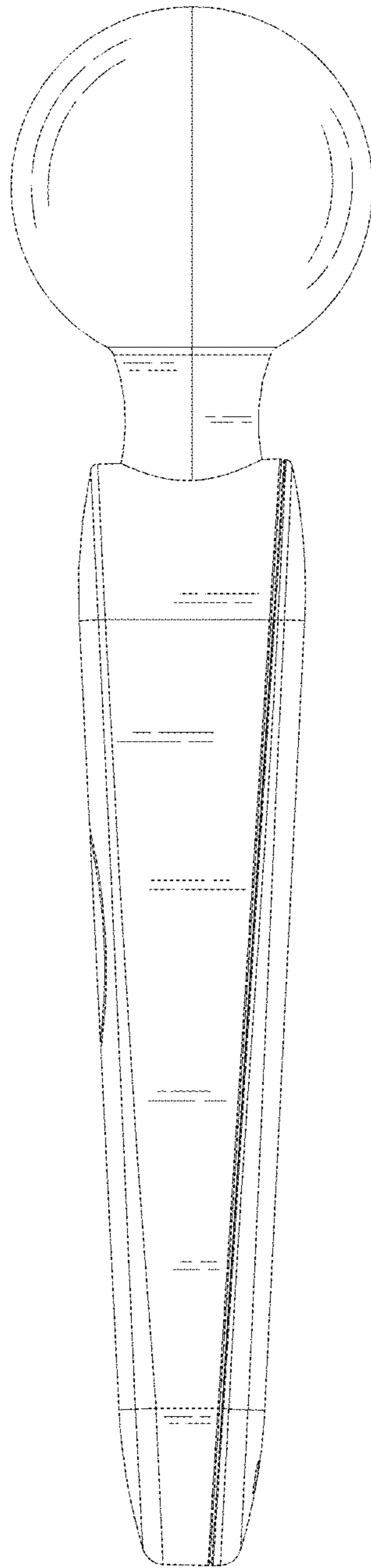


FIG. 5

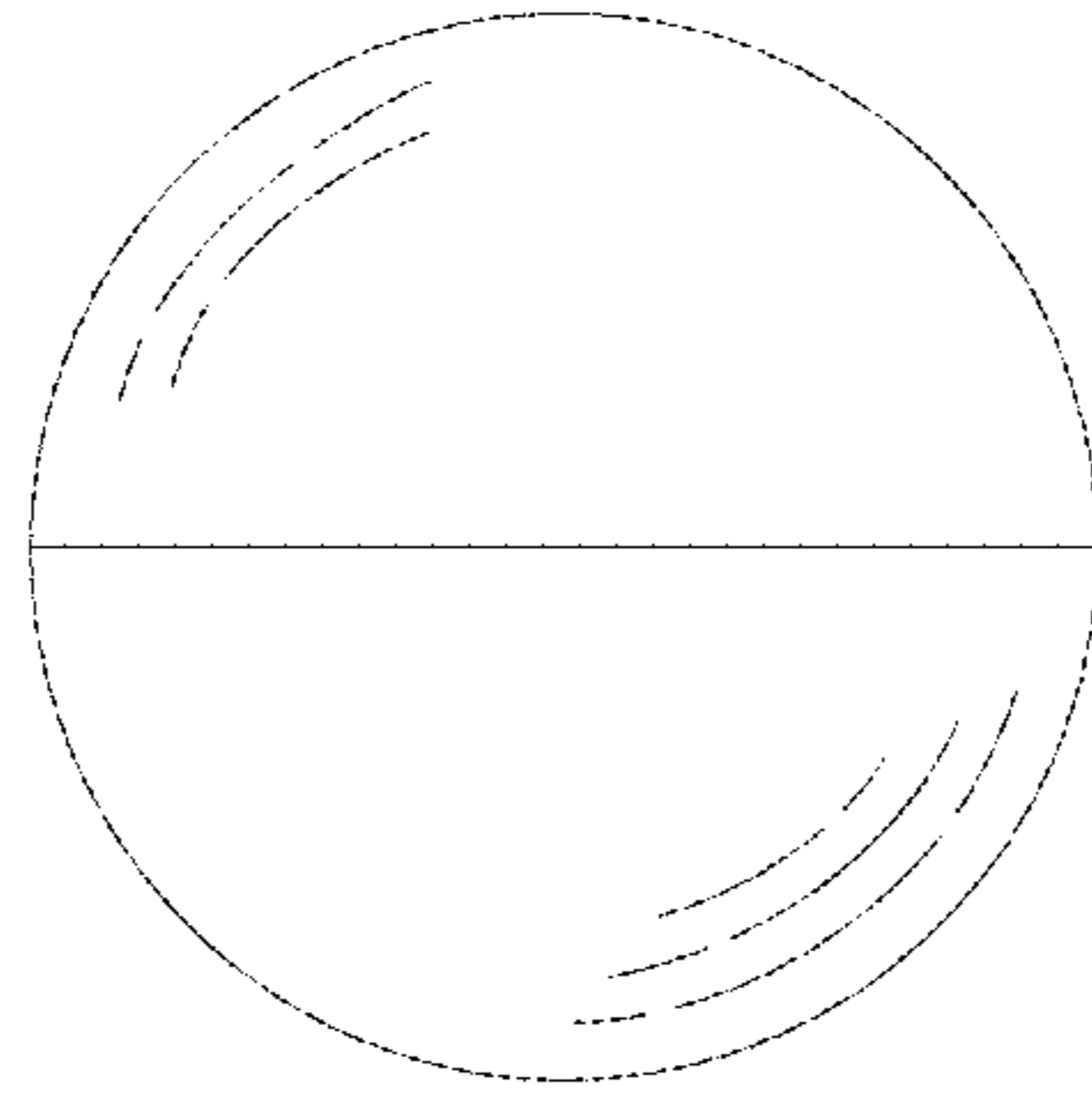


FIG. 6

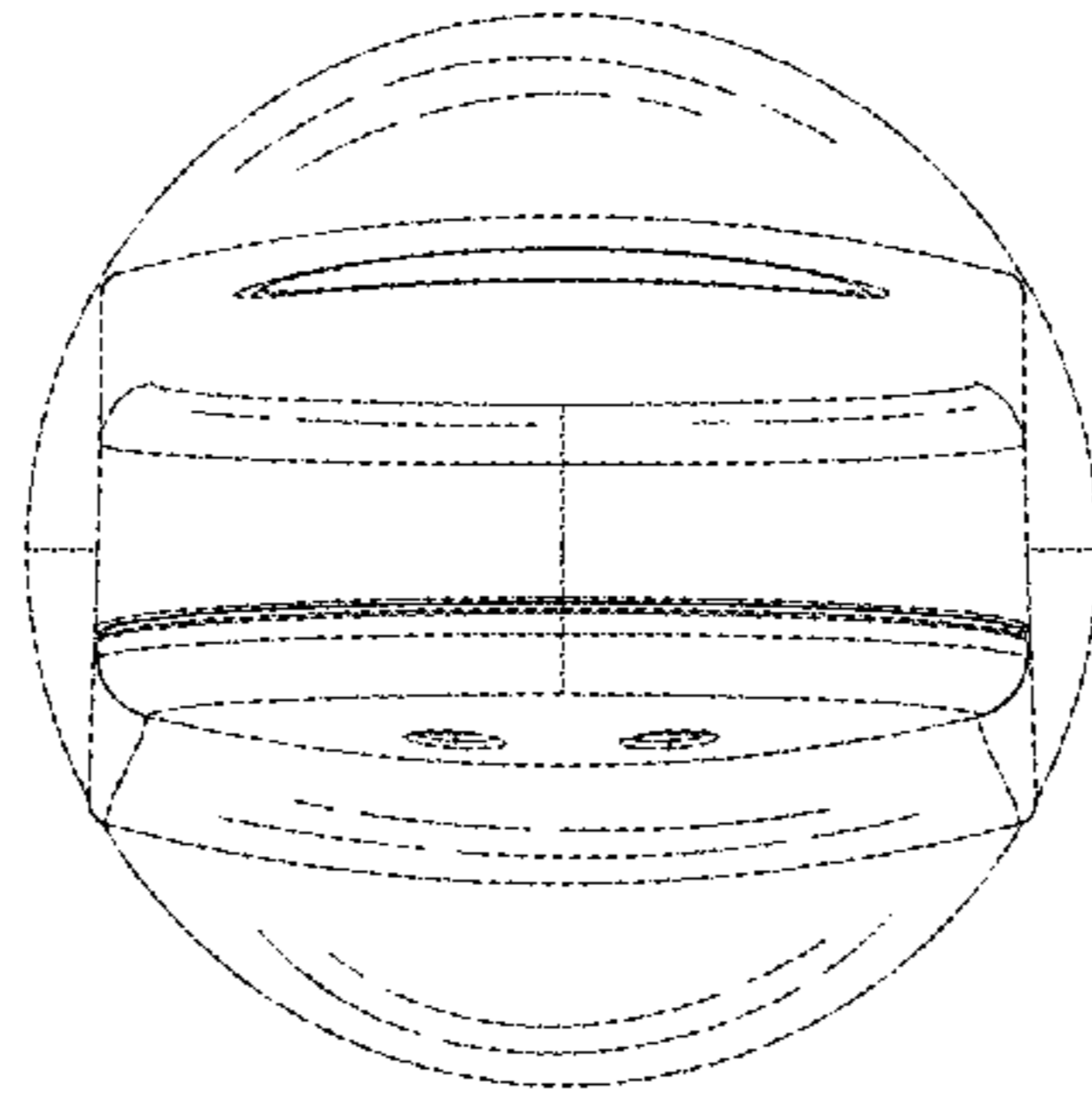


FIG. 7