



US00D973221S

(12) **United States Design Patent** (10) **Patent No.:** **US D973,221 S**
Katz et al. (45) **Date of Patent:** **** Dec. 20, 2022**

(54) **VIBRATING FITNESS ROLLER** 4,954,939 A * 9/1990 Hutchins F21S 8/061
362/406
(71) Applicant: **Hyper Ice, Inc.**, Irvine, CA (US) D324,634 S * 3/1992 Chen D8/303
5,123,406 A 6/1992 Masuda
5,418,980 A * 5/1995 Kelly A41D 20/00
2/16

(72) Inventors: **Anthony Katz**, Laguna Niguel, CA (US); **Bostjan Buc**, Mislinja (SI); **Jure Miklavc**, Skofja Loka (SI); **Andrej Senk**, Preddvor (SI)

(Continued)

FOREIGN PATENT DOCUMENTS

(73) Assignee: **Hyper Ice, Inc.**, Irvine, CA (US)

DE 9200901 U1 7/1992
DE 102006058876 A1 10/2007

(**) Term: **15 Years**

(Continued)

(21) Appl. No.: **29/771,693**

OTHER PUBLICATIONS

(22) Filed: **Feb. 24, 2021**

“Foam Roller Wrap” Jun. 3, 2011, Amazon, site visited Jun. 3, 2022:
<https://amzn.to/3wZfB8A> (Year: 2011).*

(51) **LOC (13) Cl.** **21-02**

(Continued)

(52) **U.S. Cl.**

USPC **D24/211**; D21/694

(58) **Field of Classification Search**

USPC D24/211, 212, 213, 214, 215, 188, 141, D24/190, 200, 231, 106, 171; D30/160; D1/125-127; D21/680, 798, 792, 662, D21/804, 686, 671, 691, 682, 694, 687, D21/654, 487, 679, 684, 688, 412, 685, D21/400, 791, 725, 386; D7/624.2; D8/303

CPC A61H 7/001; A61H 7/007; A61H 7/00; A61H 15/0092; A61H 2015/0014; A61H 2201/0207; A61H 15/00; A61H 2205/081; A61H 23/0263; A61H 2201/1284

See application file for complete search history.

Primary Examiner — Jack Reickel

Assistant Examiner — Salamah Jordan

(74) *Attorney, Agent, or Firm* — Patterson Intellectual Property Law, P.C.; Jerry Turner Sewell

(57)

CLAIM

The ornamental design for a vibrating fitness roller, as shown and described.

DESCRIPTION

FIG. 1 is a front perspective view of a vibrating fitness roller of the present design;

FIG. 2 is a rear perspective view thereof;

FIG. 3 is a top view thereof, the bottom view, the left side view and the right side view being mirror images thereof;

FIG. 4 is a front view thereof; and,

FIG. 5 is a rear view thereof.

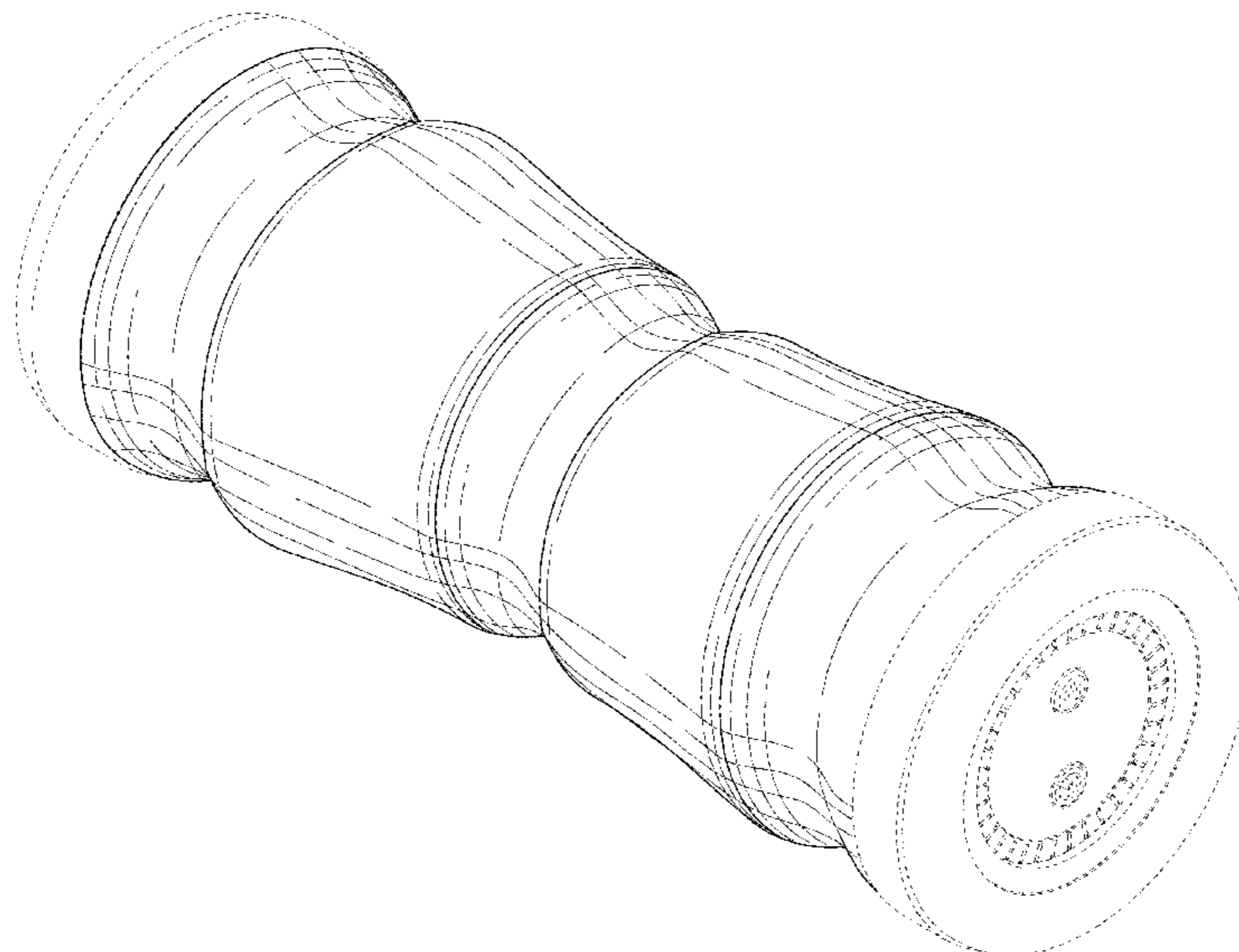
The broken lines in the drawings are for the purposes of illustrating portions of the vibrating fitness roller, which form no part of the claimed design.

(56) **References Cited**

U.S. PATENT DOCUMENTS

2,428,953 A 10/1947 Adams
D166,659 S 5/1952 Colotti
2,675,800 A 4/1954 Voorhees et al.
D299,974 S 2/1989 Schmitt
4,930,543 A * 6/1990 Zuiches F16L 57/00
285/47

1 Claim, 4 Drawing Sheets



(56)

References Cited

U.S. PATENT DOCUMENTS

D369,361 S 4/1996 Satake
 5,554,102 A 9/1996 Chiou
 5,736,089 A 4/1998 Stefani
 6,694,550 B2 2/2004 Lee
 D546,402 S 7/2007 Sonnier
 D555,742 S 11/2007 Lai
 D581,244 S * 11/2008 Berti D8/321
 D616,950 S * 6/2010 Hersee D8/303
 D637,244 S * 5/2011 Davis D21/662
 8,002,682 B2 8/2011 Dye
 D647,980 S * 11/2011 Davis D21/662
 8,181,490 B2 * 5/2012 Sinykin D04B 1/02
 66/194
 D693,934 S * 11/2013 Lin D24/215
 D713,050 S * 9/2014 Kao A61H 15/00
 D24/211
 8,920,850 B2 * 12/2014 Davis B65D 37/00
 424/618
 D725,344 S * 3/2015 Rich D2/624
 9,132,055 B1 9/2015 Wallace
 D740,337 S 10/2015 McCoy
 D755,304 S 5/2016 Ackerman
 9,422,718 B2 * 8/2016 Ehsani F16L 55/16
 D786,652 S 5/2017 Lira-Nunez
 D788,313 S * 5/2017 Lawrie D24/211
 9,668,933 B1 6/2017 Johnson
 D797,951 S 9/2017 Miklavc
 9,763,850 B2 9/2017 Cheng
 D805,649 S 12/2017 Mizelle et al.
 D809,612 S 2/2018 Ganea
 D810,955 S 2/2018 Miklavc
 9,901,771 B1 * 2/2018 Silver A63B 71/00
 D812,700 S * 3/2018 Silver D21/694
 D813,323 S * 3/2018 Silver D21/694
 9,968,513 B1 5/2018 Marton et al.
 D822,772 S * 7/2018 Jorgenson D24/211
 D825,695 S 8/2018 Kim
 10,071,014 B2 9/2018 Yeh
 D833,635 S * 11/2018 Chen D24/214
 D837,615 S * 1/2019 Winter D7/624.2
 D843,522 S * 3/2019 Miklavc D21/692
 D857,131 S 8/2019 Marton et al.
 D858,779 S 9/2019 Durfee
 D859,668 S 9/2019 Durfee
 D872,198 S 1/2020 Kim
 D884,804 S 5/2020 Ross
 D886,923 S 6/2020 Hsiung
 D889,335 S 7/2020 Bowman
 10,729,614 B2 8/2020 Marton
 D930,922 S 9/2021 Ruan
 D947,297 S 3/2022 Flick
 D948,156 S 4/2022 Furuuchi
 D952,070 S 5/2022 Gridley

2002/0170728 A1 * 11/2002 Holland H01B 7/17
 174/19
 2005/0070827 A1 3/2005 Lee
 2009/0088307 A1 * 4/2009 Jelinek B05C 17/0207
 2009/0176635 A1 7/2009 Brinson
 2009/0183817 A1 * 7/2009 Sinykin B29C 66/73116
 2013/0090220 A1 * 4/2013 Bertram A61H 7/00
 2013/0267396 A1 10/2013 Dye
 2015/0045707 A1 2/2015 Selvaggio
 2016/0074274 A1 3/2016 Mallory
 2016/0195163 A1 7/2016 Cavanaugh et al.
 2016/0279009 A1 9/2016 Somjee
 2017/0042756 A1 2/2017 Nelson
 2017/0065482 A1 3/2017 Downare
 2018/0021211 A1 1/2018 Suokas et al.
 2018/0028388 A1 2/2018 Leier et al.
 2018/0071166 A1 3/2018 Lawrie
 2018/0207055 A1 7/2018 Davis et al.
 2018/0339216 A1 11/2018 Gencarelli
 2021/0197011 A1 7/2021 Hadley et al.

FOREIGN PATENT DOCUMENTS

DE 202014004900 U1 10/2014
 DE 202014004901 U1 10/2014
 DE 102014211779 A1 12/2015
 DE 102014211780 A1 12/2015
 DE 102015002235 A1 12/2015

OTHER PUBLICATIONS

“TheraBand Foam Rollers & Wrap”, Sep. 12, 2013, Youtube, site visited Jun. 3, 2022: https://www.youtube.com/watch?v=rQ_0PQWxPV0 (Year: 2013).*

“Peace of Muscle Foam Roller Review”, Nov. 2, 2016, Youtube, site visited Jun. 4, 2022: <https://www.youtube.com/watch?v=0P48FkFkiI0> (Year: 2016).*

“Gimme 10 Foam Roller” Jul. 31, 2018, Amazon, site visited Jul. 19, 2022: <https://amzn.to/3RMJ6Uv> (Year: 2018).*

“Foam Roller Exercises | Learn How To Foam Roll | Full Body Foam Roller Workout” Dec. 27, 2015, Youtube, site visited 19 <https://www.youtube.com/watch?v=Xw2sQK3rzG0> (Year: 2015).*

“What Exactly is Foam Rolling and Why Should I Roll? ”, Nov. 21, 2015, Youtube, site visited Jul. 19, 2022: <https://www.youtube.com/watch?v=DzSU2FiFKTM> (Year: 2015).*

“Hyperice | Vyper Vibrating Foam Roller,” www.hyperice.com/vyper, accessed on Sep. 7, 2017, 10 pages.

“Zyllion Rechargeable Vibrating Foam Roller,” Oct. 13, 2017, Amazon, site visited Jun. 1, 2022: <https://amzn.to/38Uw3z6> (Year: 2017).

“TriggerPoint GRID Caps,” Aug. 14, 2018, Amazon, site visited Jun. 6, 2022: <https://amzn.to/3tetEG3> (Year: 2018).

“321 Strong 5 in 1 Foam Roller Set,” Mar. 8, 2019, Amazon, site visited Jun. 6, 2022: <https://amzn.to/3xnj5mJ> (Year: 2019).

* cited by examiner

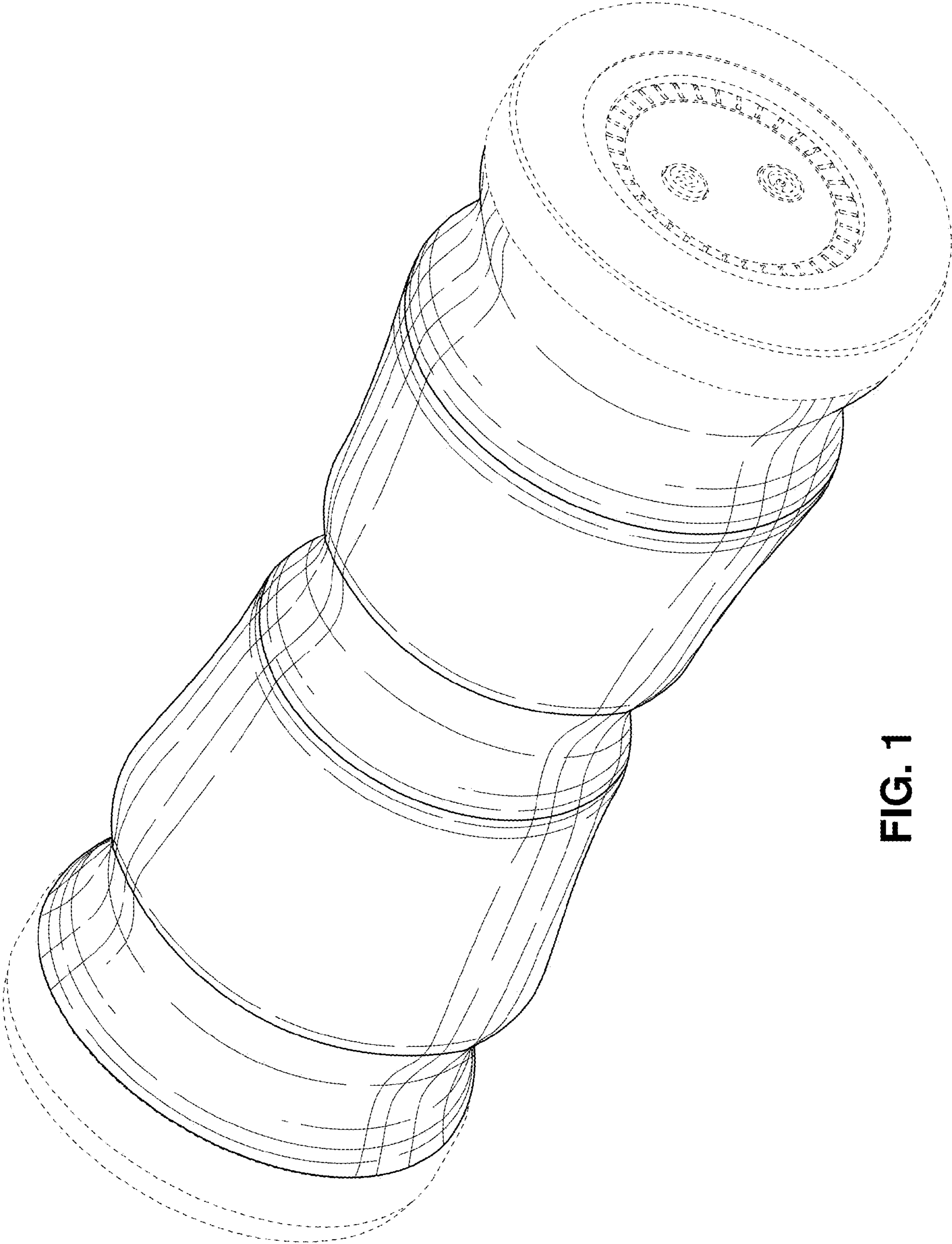


FIG. 1

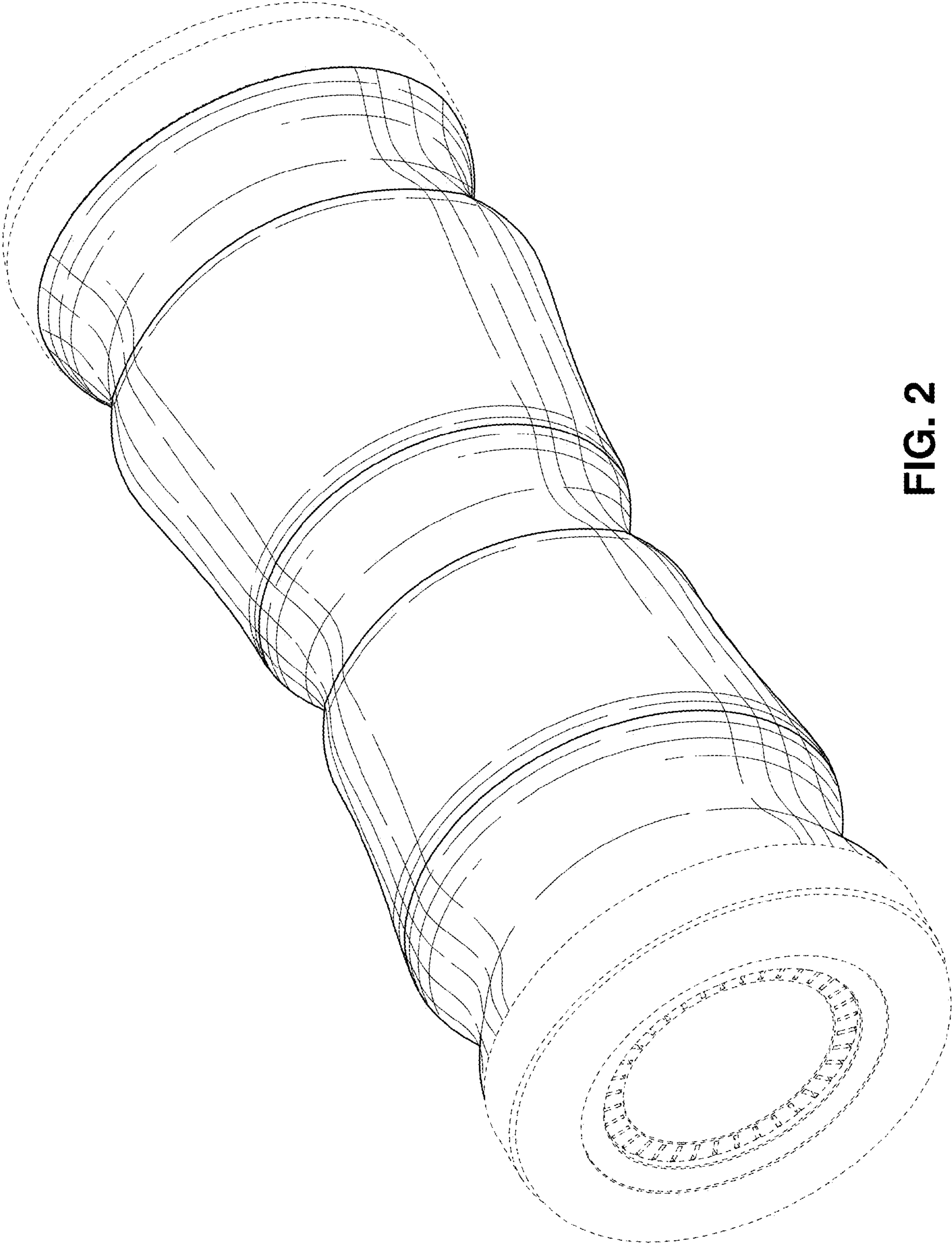


FIG. 2

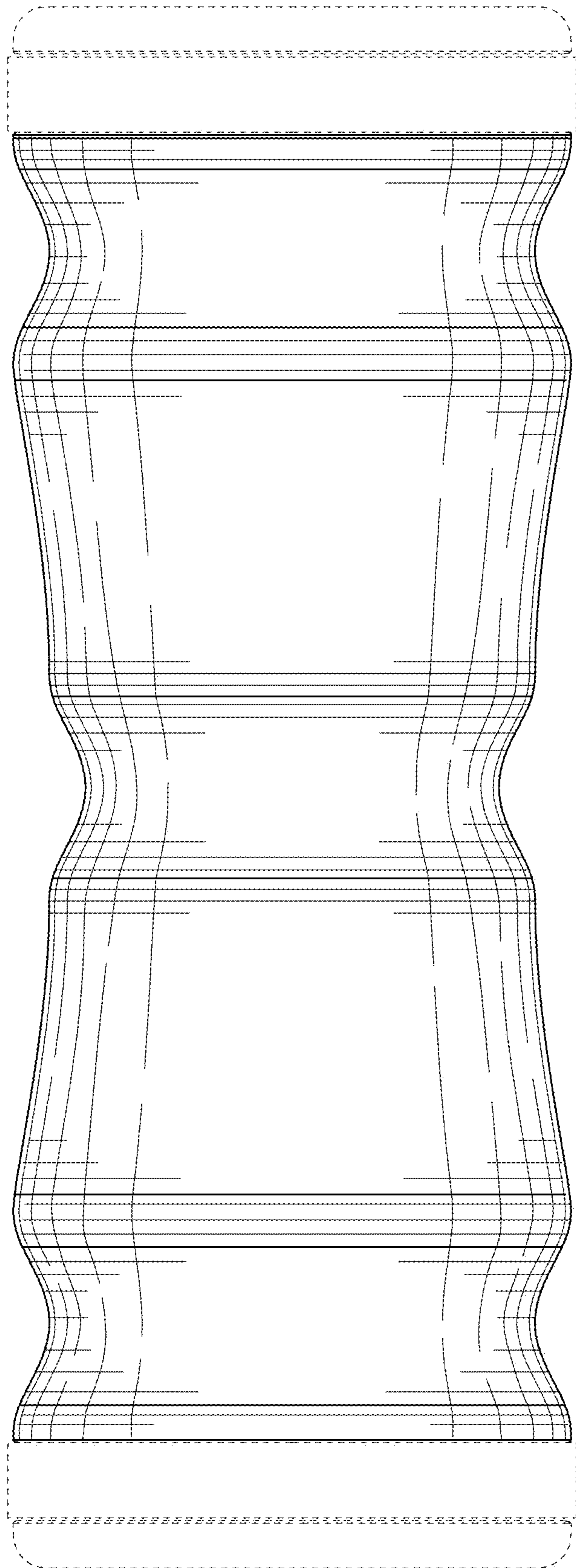


FIG. 3

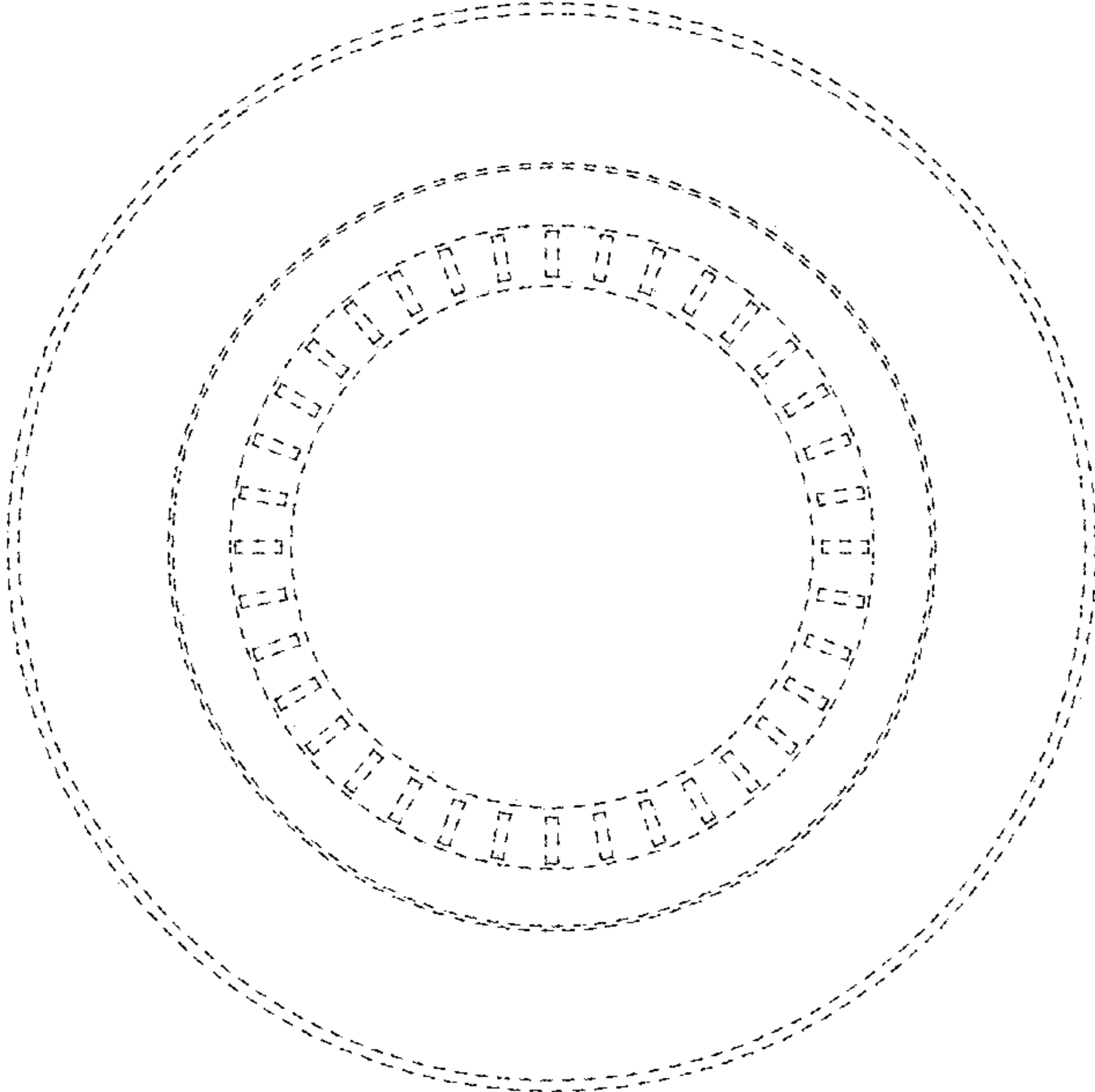


FIG. 5

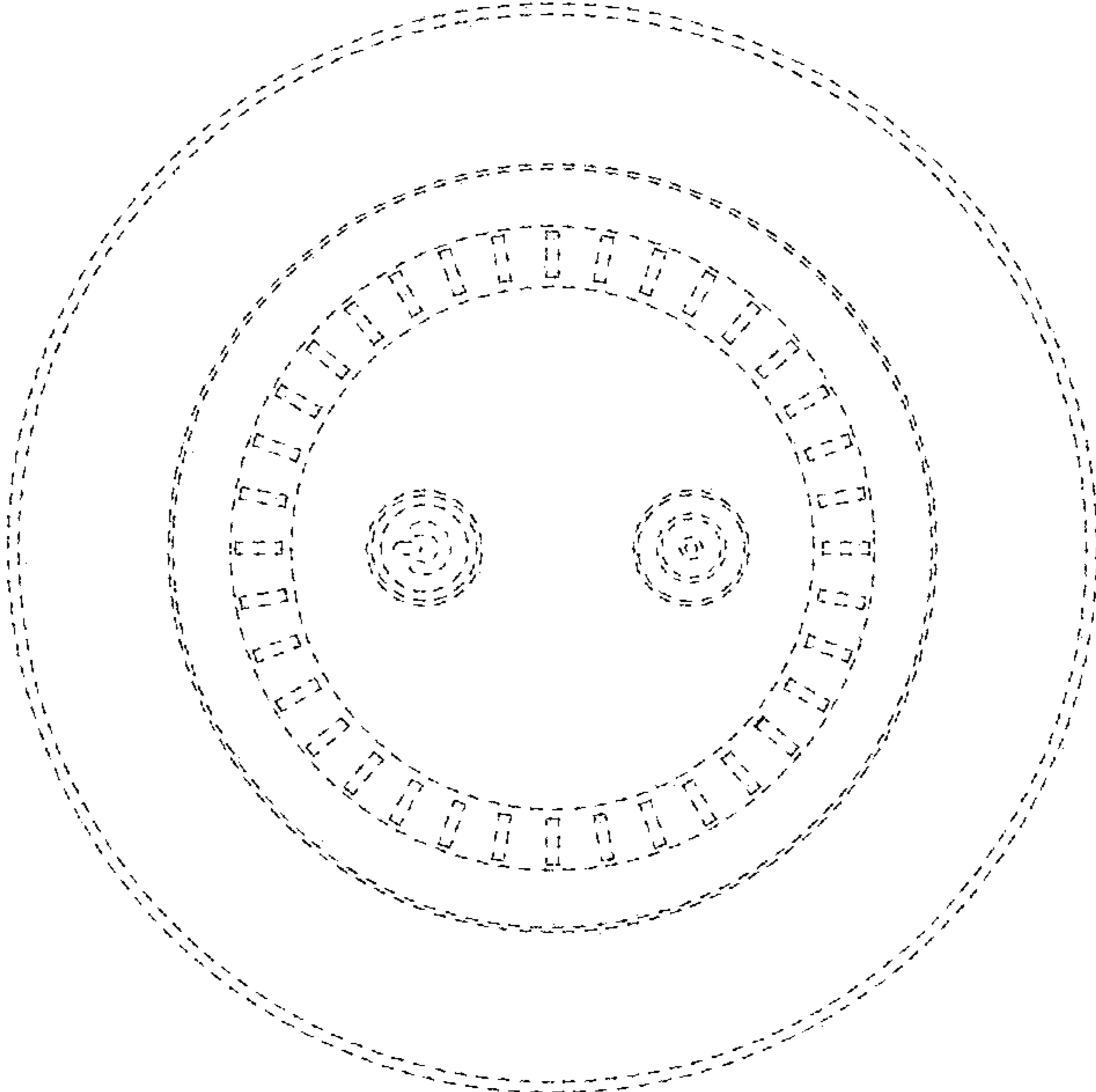


FIG. 4